



US00D444453S

(12) **United States Design Patent**  
Stroede et al.

(10) **Patent No.:** **US D444,453 S**

(45) **Date of Patent:** **\*\* Jul. 3, 2001**

(54) **WIRE CONTAINMENT FOR MODULAR CONNECTOR**

(75) Inventors: **Andrew J. Stroede**, Mokena; **Russell A. Vanderhoof**, Minooka; **Michael Doorhy**, Tinley Park, all of IL (US)

(73) Assignee: **Panduit Corp.**, Tinley Park, IL (US)

(\*\*) Term: **14 Years**

(21) Appl. No.: **29/109,312**

(22) Filed: **Aug. 12, 1999**

(51) **LOC (7) Cl.** ..... **13-03**

(52) **U.S. Cl.** ..... **D13/154**

(58) **Field of Search** ..... D13/147, 146,  
D13/154; 439/417, 686, 695, 701, 712,  
724, 752

(56) **References Cited**

**U.S. PATENT DOCUMENTS**

D. 378,207	*	2/1997	Wu et al. ....	D13/147
4,975,078	*	12/1990	Stroede et al. ....	439/405
5,096,442	*	3/1992	Arnett et al. ....	439/676
5,118,310	*	6/1992	Stroede et al. ....	439/676
5,312,273		5/1994	Andre et al. .	
5,403,200		4/1995	Chen .	
5,417,583	*	5/1995	Ishizaki et al. ....	439/409
5,580,270		12/1996	Pantland et al. .	
5,586,914		12/1996	Foster, Jr. et al. .	
5,624,274	*	4/1997	Lin ..... 439/417	
5,655,934		8/1997	Gow et al. .	
5,697,815		12/1997	Drewnicki .	

5,697,817	12/1997	Bouchan et al. .	
5,700,167	12/1997	Pharney et al. .	
5,752,858	5/1998	Gow et al. .	
5,766,043	6/1998	Talend .	
5,791,943	* 8/1998	Lo et al. ....	439/676

**FOREIGN PATENT DOCUMENTS**

WO 97/44862 11/1997 (WO) .

\* cited by examiner

*Primary Examiner*—Joel Sincavage

(74) *Attorney, Agent, or Firm*—Robert A. McCann

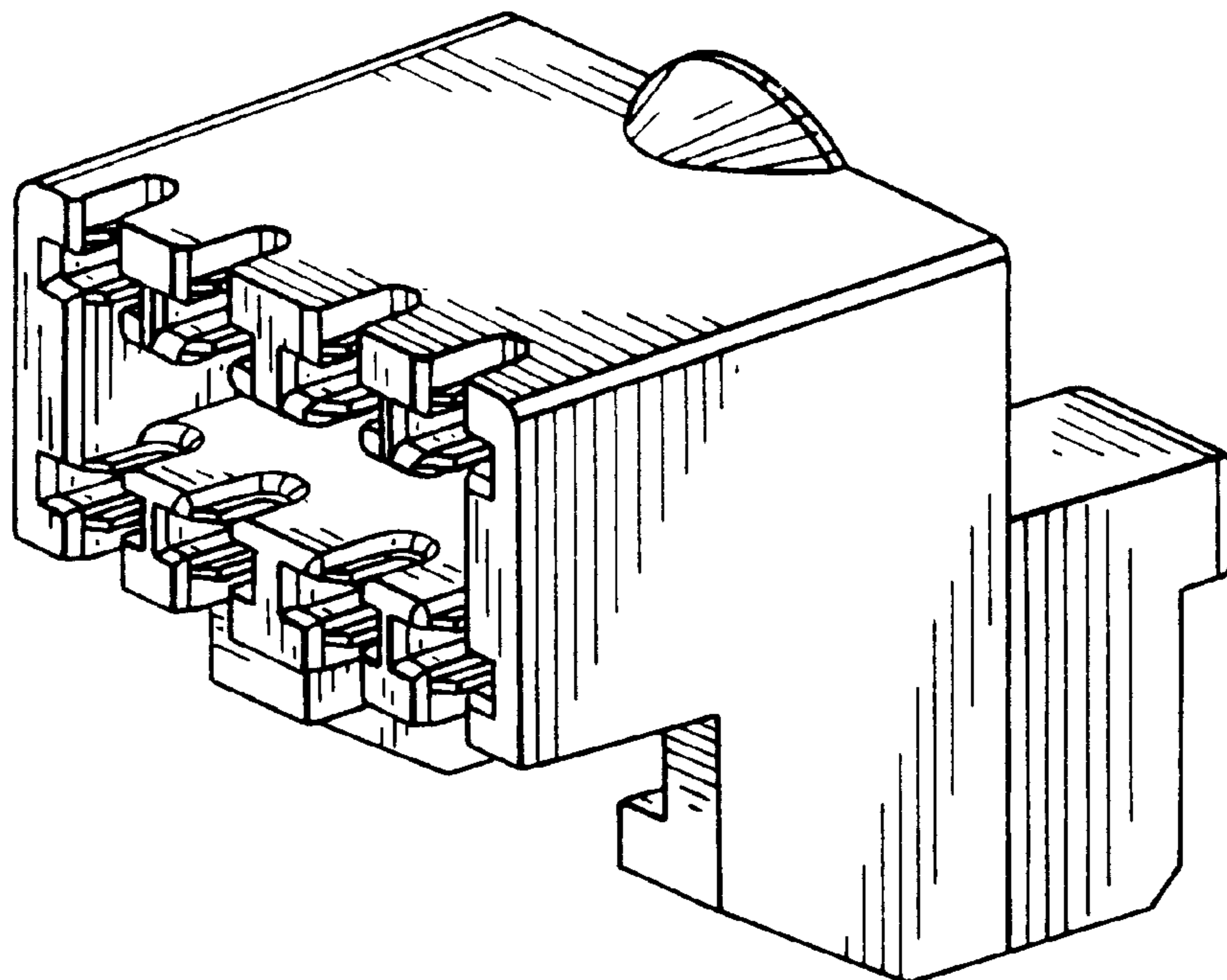
(57) **CLAIM**

The ornamental design for a wire containment for modular connector, as shown and described.

**DESCRIPTION**

FIG. 1 is a front perspective view of a wire containment for modular connector showing our new design;  
 FIG. 2 is a rear perspective view of a wire containment for modular connector showing our new design;  
 FIG. 3 is a bottom and front perspective view of a wire containment for modular connector showing our new design;  
 FIG. 4 is a front elevational view thereof;  
 FIG. 5 is a rear elevational view thereof;  
 FIG. 6 is a side elevational view thereof;  
 FIG. 7 is the opposite side elevational view thereof;  
 FIG. 8 is a top plan view thereof; and,  
 FIG. 9 is a bottom plan view thereof.

**1 Claim, 2 Drawing Sheets**



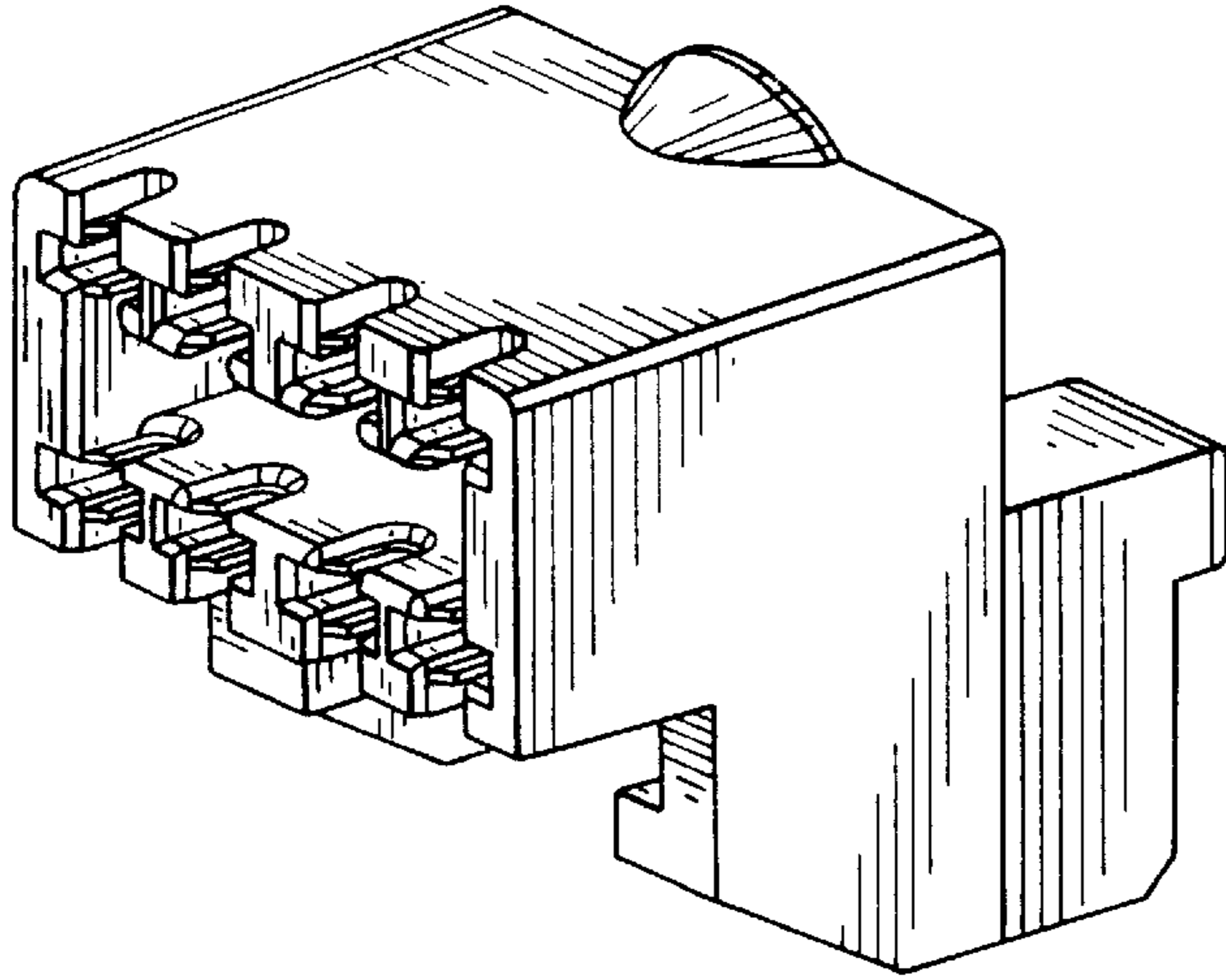


FIG. 1

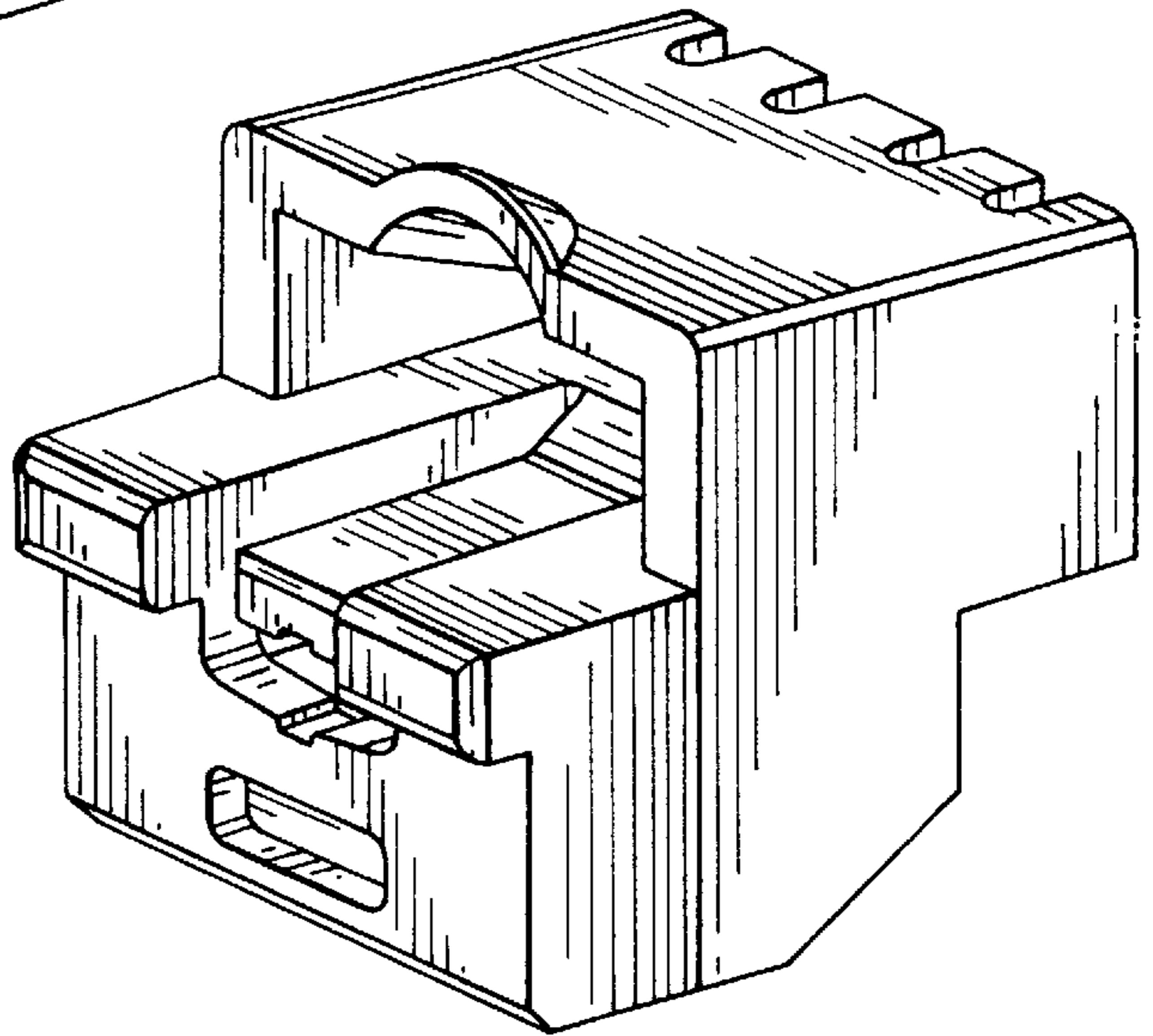


FIG. 2

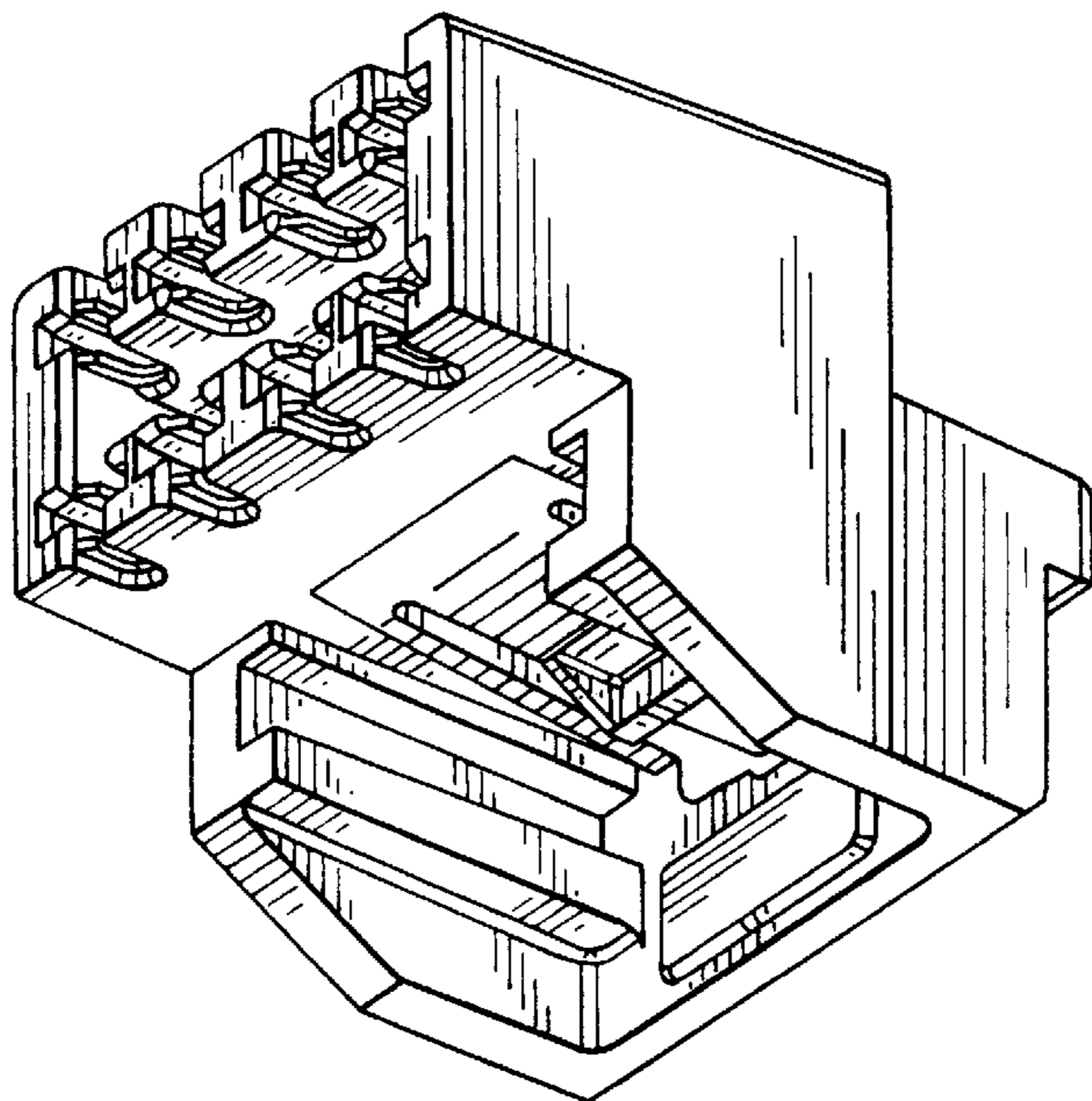


FIG. 3

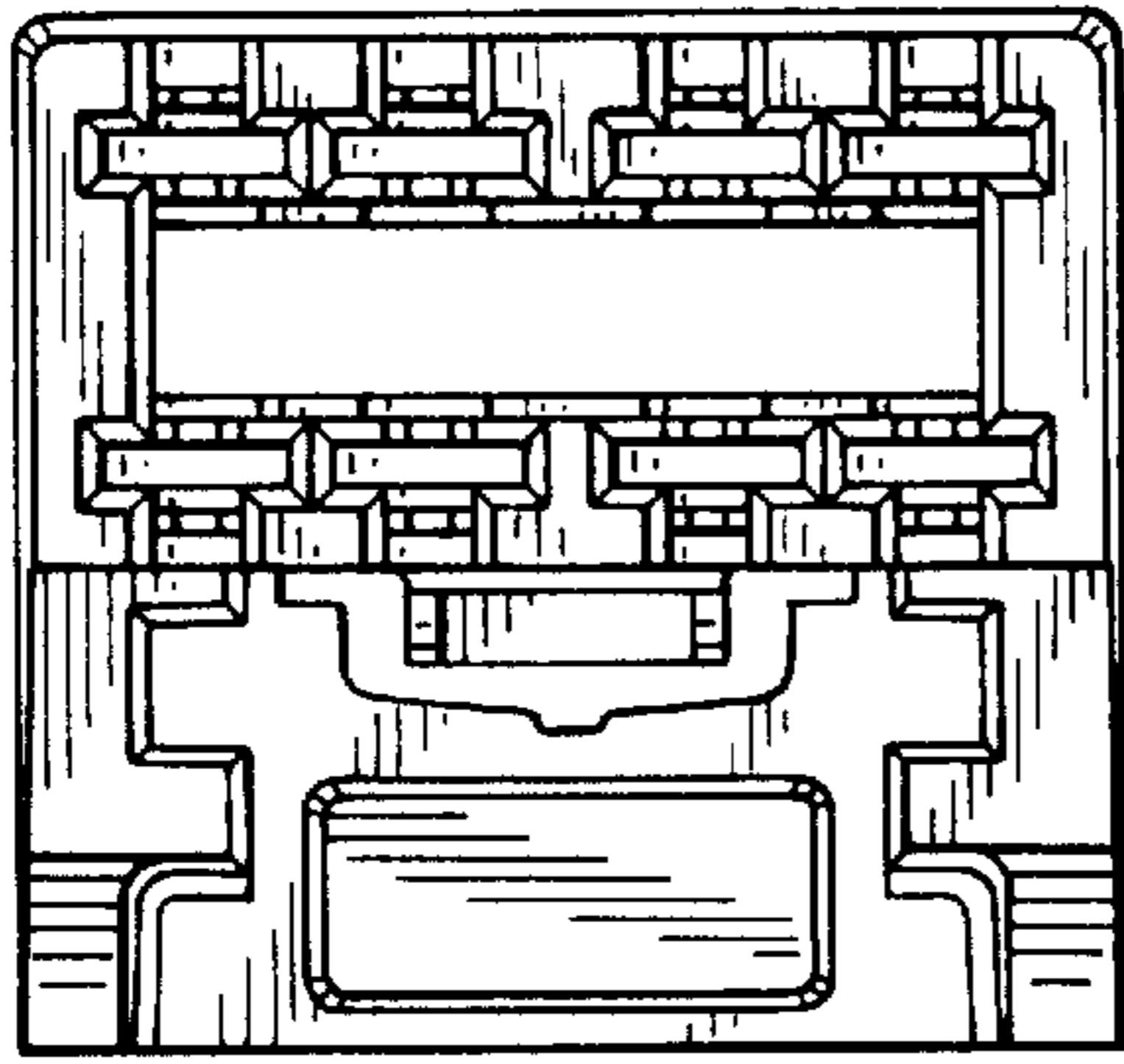


FIG. 4

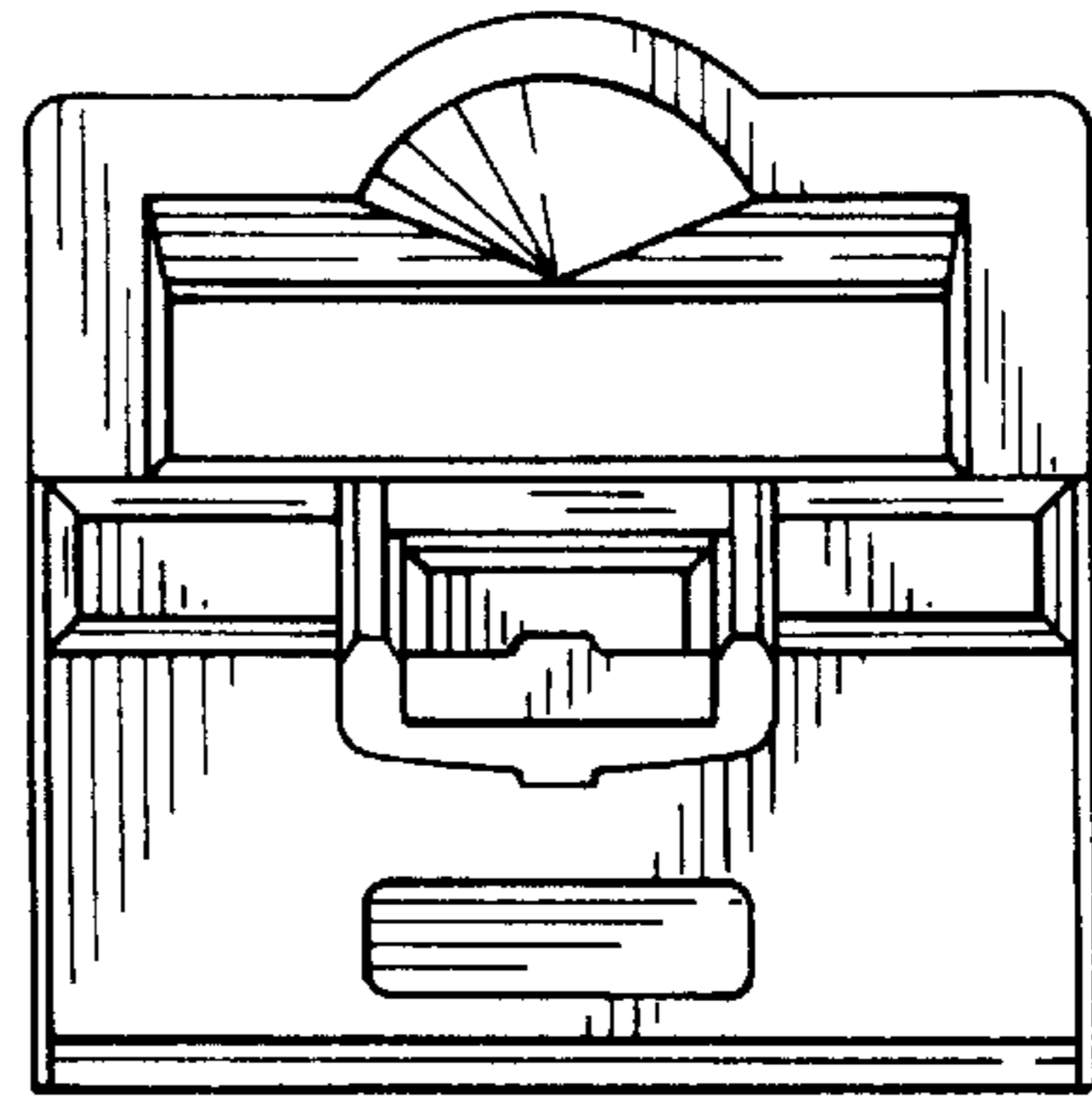


FIG. 5

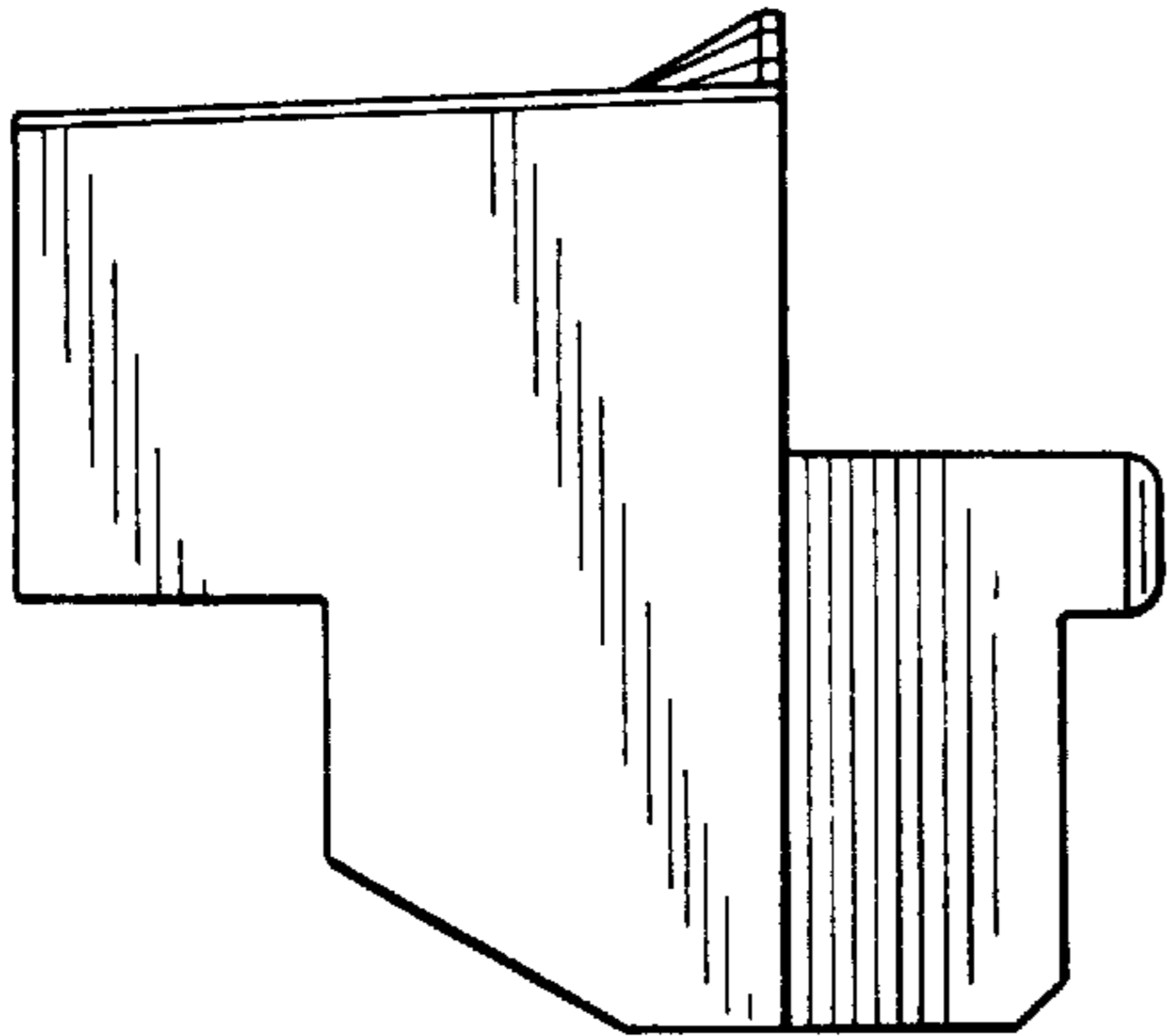


FIG. 6

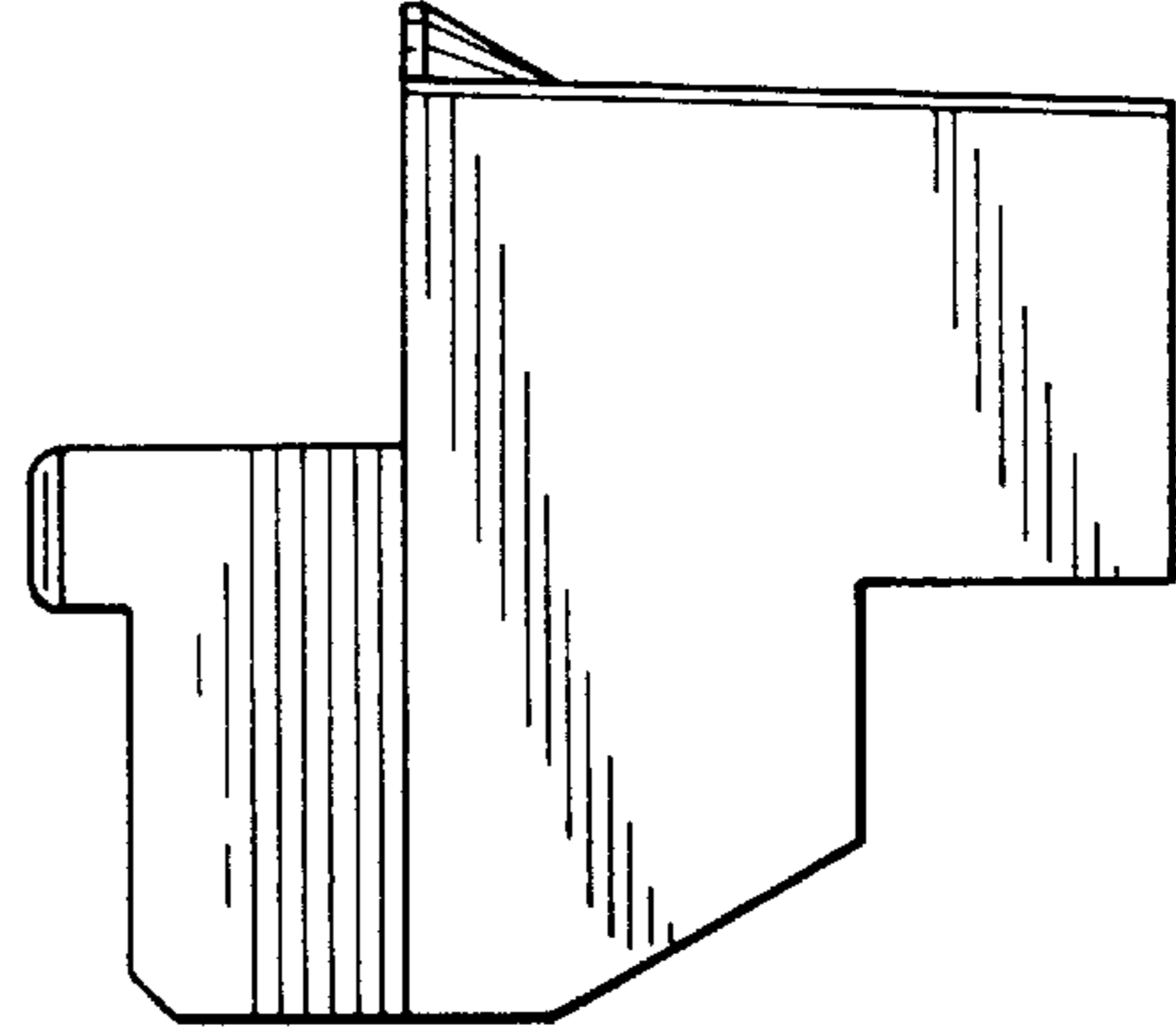


FIG. 7

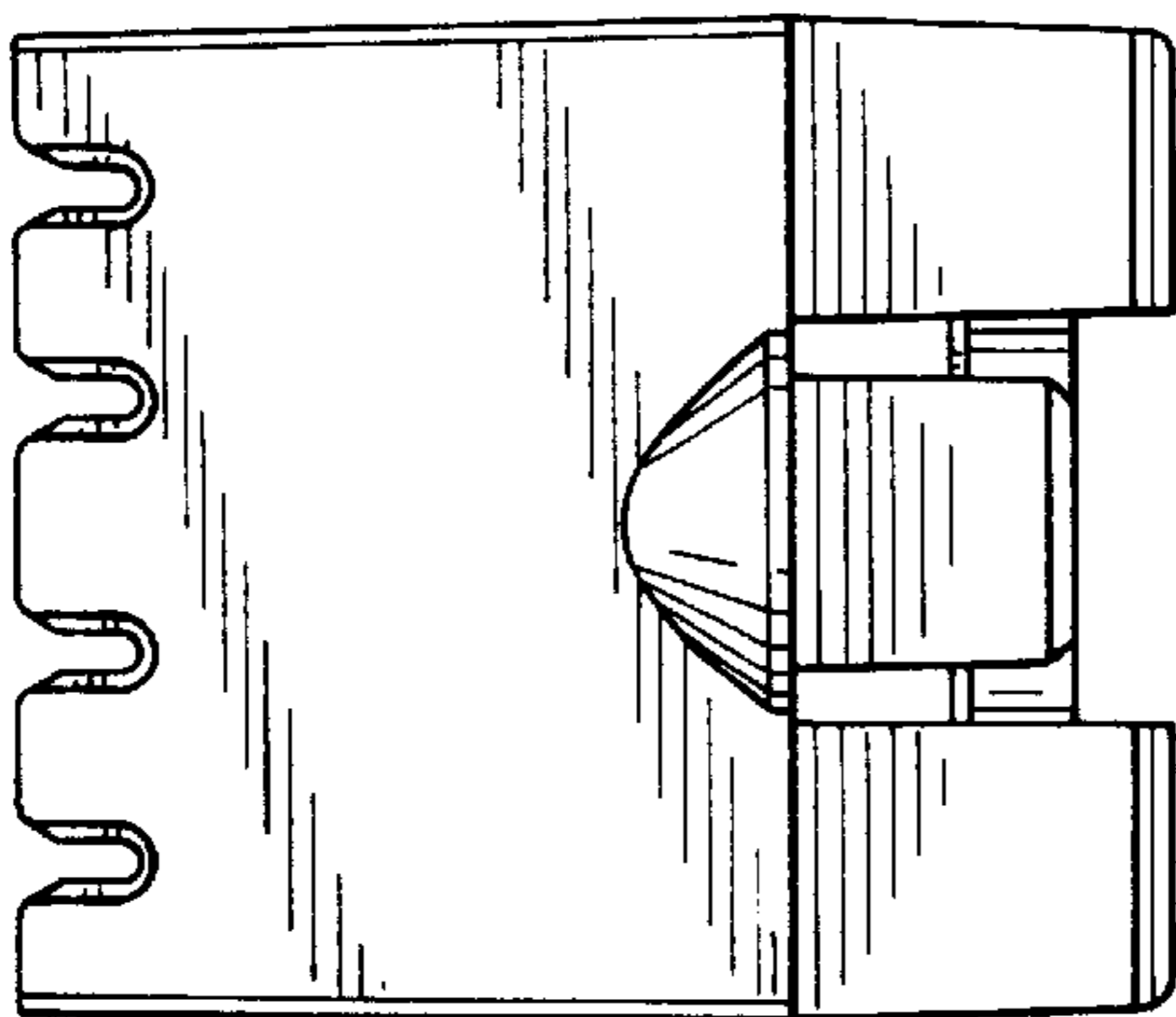


FIG. 8

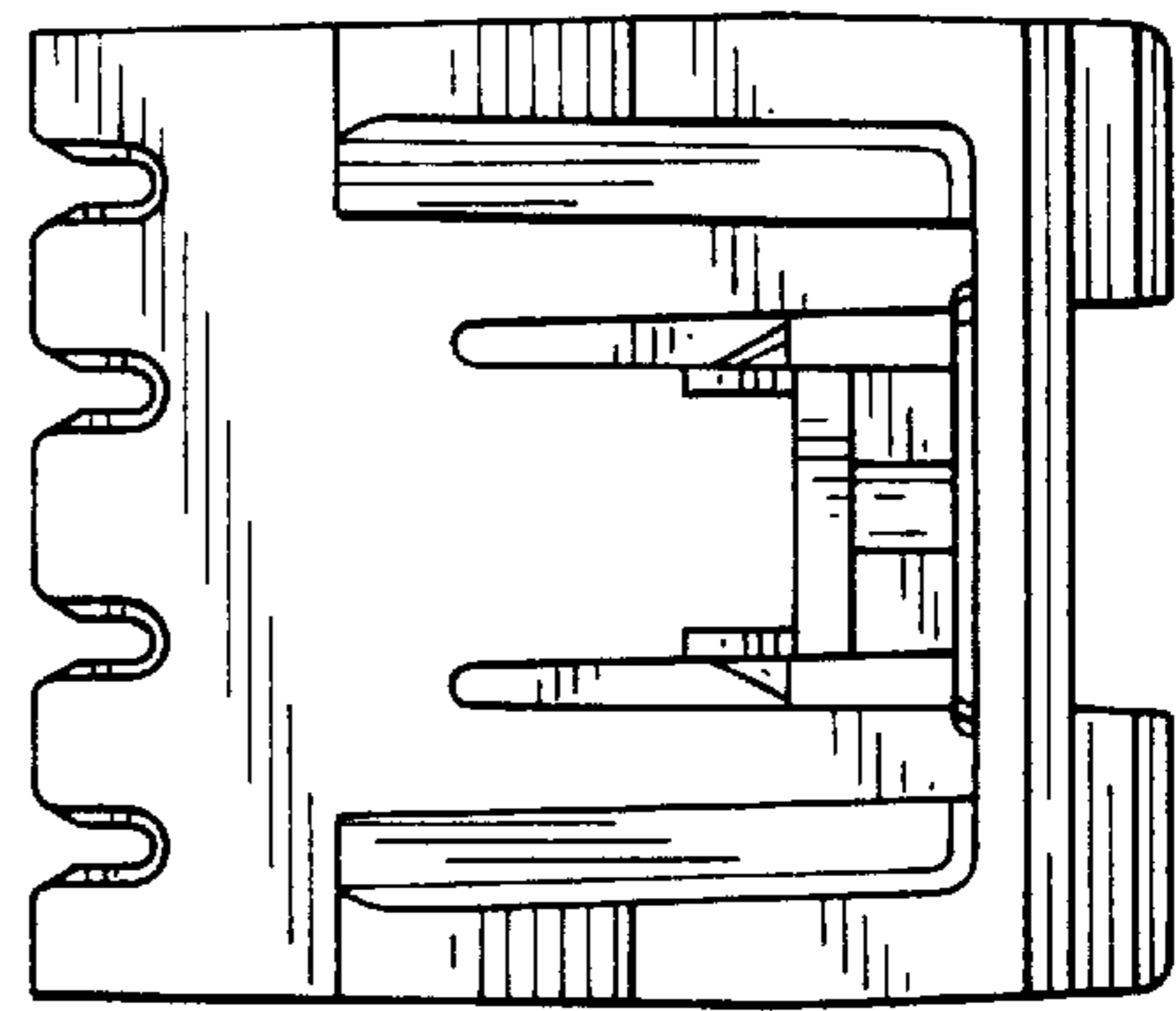


FIG. 9