



US00D444450S

(12) **United States Design Patent**
Lee

(10) **Patent No.:** **US D444,450 S**
(45) **Date of Patent:** **** Jul. 3, 2001**

(54) **TWO OUTLET POWER CENTER WITH PHONE/FAX/MODEM CONNECTIONS**

(75) Inventor: **Kendrew Lee**, Fremont, CA (US)

(73) Assignee: **Monster Cable Products, Inc.**, CA (US)

(**) Term: **14 Years**

(21) Appl. No.: **29/130,113**

(22) Filed: **Sep. 26, 2000**

(51) **LOC (7) Cl.** **13-03**

(52) **U.S. Cl.** **D13/137.2**

(58) **Field of Search** D13/137.1, 137.2,
D13/139.1, 139.6-139.8; 439/638, 650-655,
954, 107

(56) **References Cited**

U.S. PATENT DOCUMENTS

- D. 357,460 * 4/1995 Lovett D13/139.1
- D. 371,341 * 7/1996 Hung et al. D13/137.2

* cited by examiner

Primary Examiner—Susan J. Lucas

Assistant Examiner—Jennifer Rivard

(74) *Attorney, Agent, or Firm*—Lariviere, Grubman & Payne, LLP

(57) **CLAIM**

The ornamental design for a two outlet power center with phone/fax/modem connections, as shown and described.

DESCRIPTION

A portion of the disclosure of this design patent application document contains material to which a claim for copyright is also made. The copyright owner has no objection to the facsimile reproduction of this design patent application by anyone as it appears in the Patent and Trademark Office

patent file or records, but reserves all other copyrights whatsoever.

FIG. 1 is a perspective view of the two outlet power center with phone, fax, and modem connections, in accordance with the present invention.

FIG. 2 is a side view of the two outlet power center with phone, fax, and modem connections, in accordance with the present invention, as depicted in FIG. 1.

FIG. 3 is an underside view of the two outlet power center with phone, fax, and modem connections, in accordance with the present invention, as depicted in FIG. 1.

FIG. 4 is a rear view of the two outlet power center with phone, fax, and modem connections, in accordance with the present invention, as depicted in FIG. 1.

FIG. 5 is a plan-form view of the two outlet power center with phone, fax, and modem connections, in accordance with the present invention, as depicted in FIG. 1.

FIG. 6 is a corresponding side view of the two outlet power center with phone, fax, and modem connections, in accordance with the present invention, as depicted in FIG. 1.

FIG. 7 is a frontal view of a first embodiment of the two outlet power center with phone, fax, and modem connections, in accordance with the present invention, as depicted in FIG. 1.

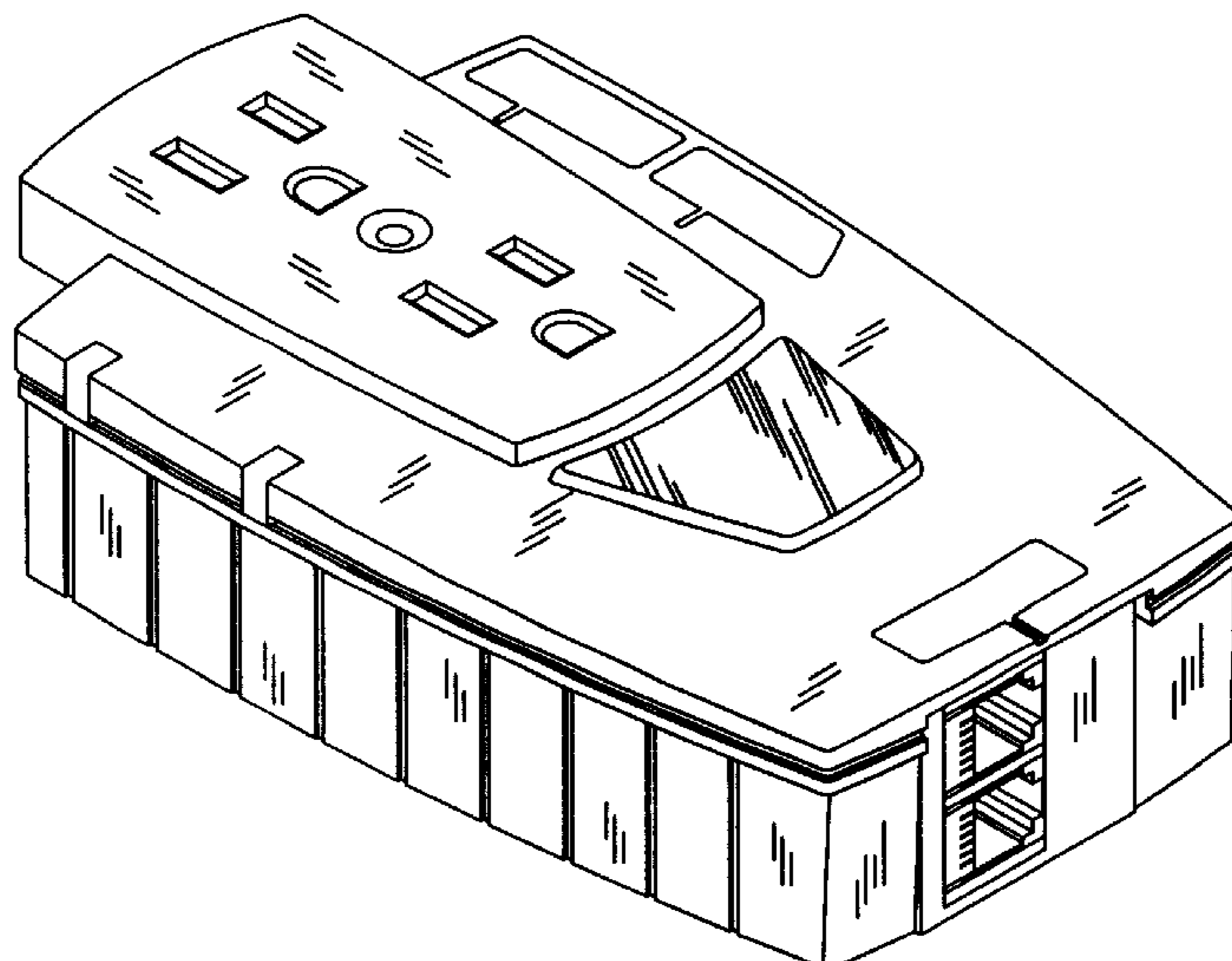
FIG. 8 is a frontal view of a second embodiment of the two outlet power center with phone, fax, and modem connections, in accordance with the present invention, as depicted in FIG. 1.

FIG. 9 is a frontal view of a third embodiment of the two outlet power center with phone, fax, and modem connections, in accordance with the present invention, as depicted in FIG. 1; and,

FIG. 10 is a frontal view of a fourth embodiment of the two outlet power center with phone, fax, and modem connections, in accordance with the present invention, as depicted in FIG. 1.

The remaining views of the second, third, and fourth embodiments are identical to the first embodiment.

1 Claim, 4 Drawing Sheets



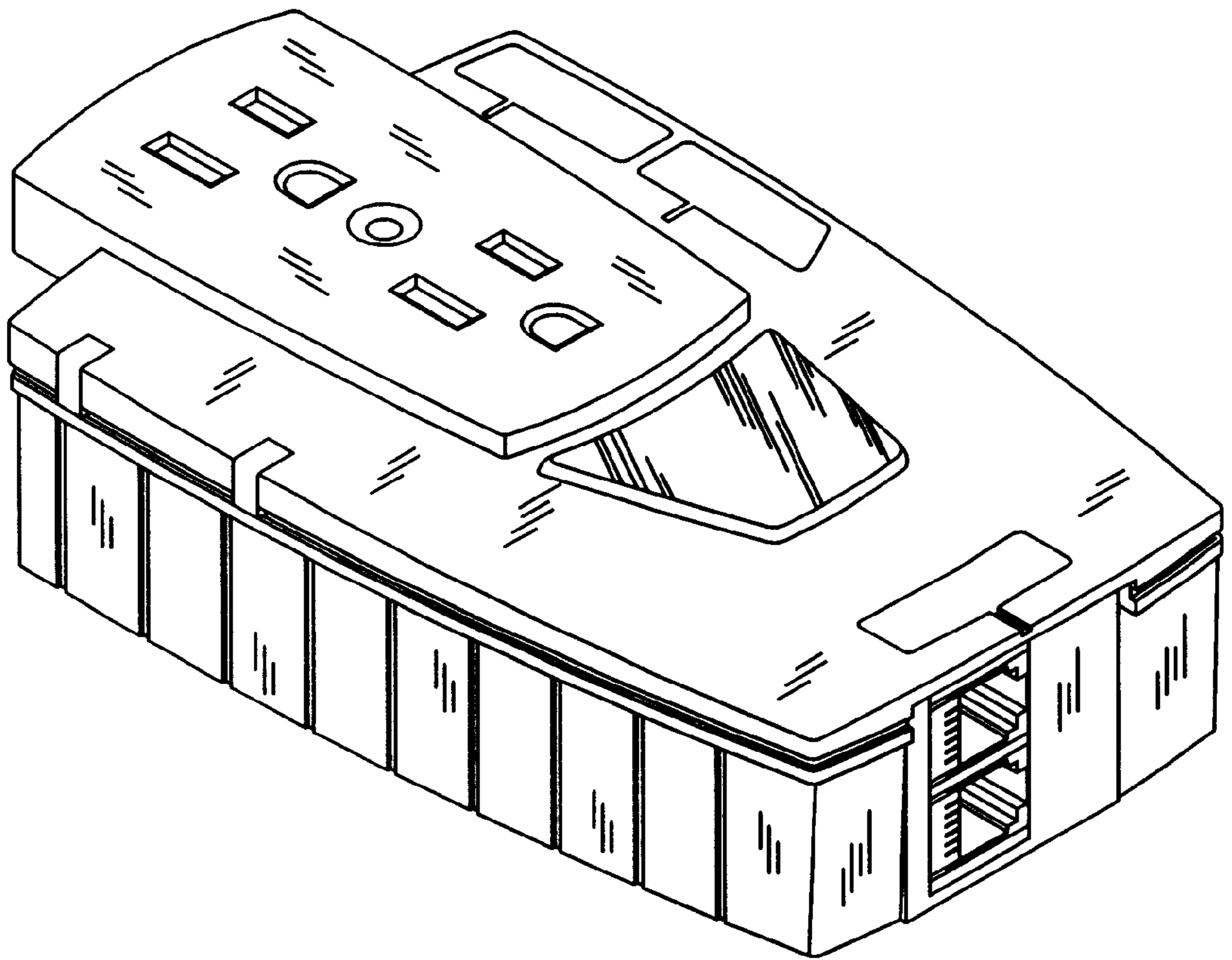


FIG. 1

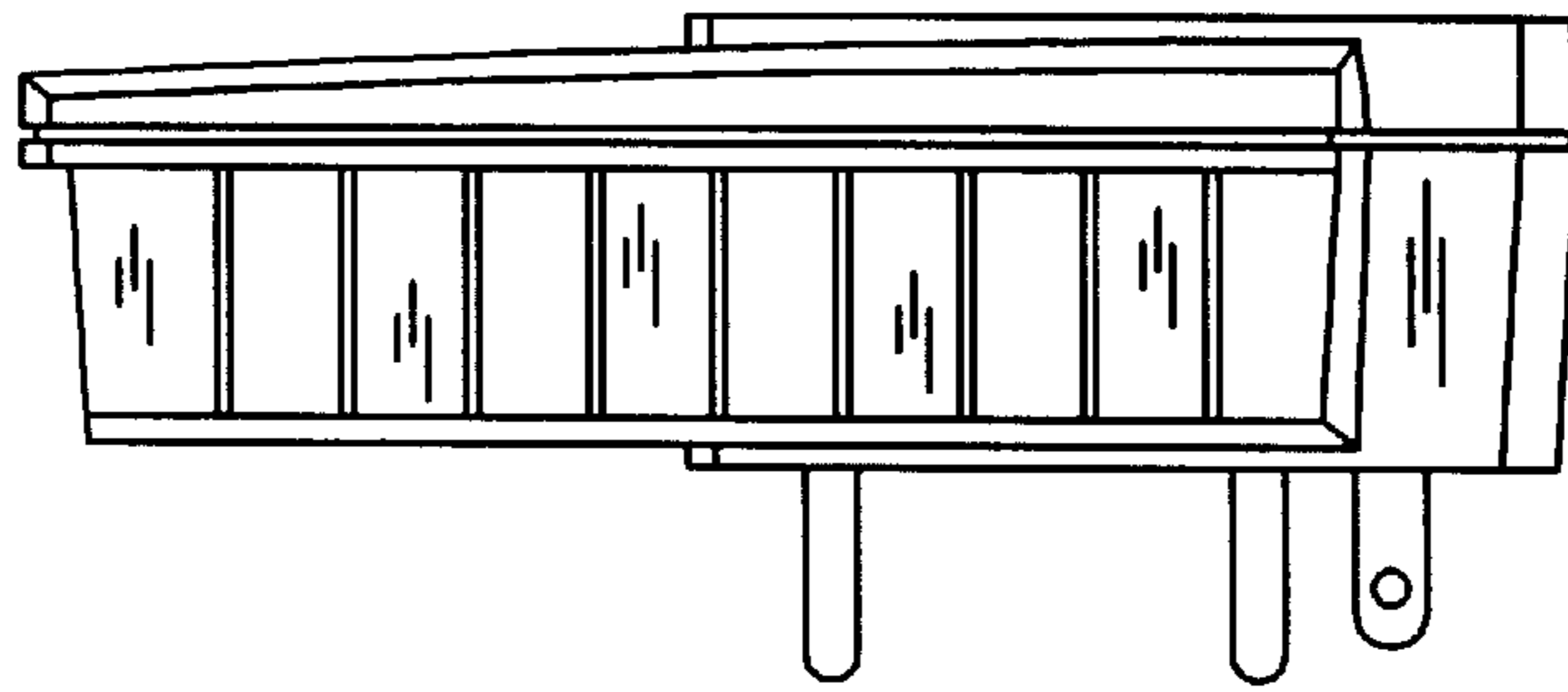


FIG. 2

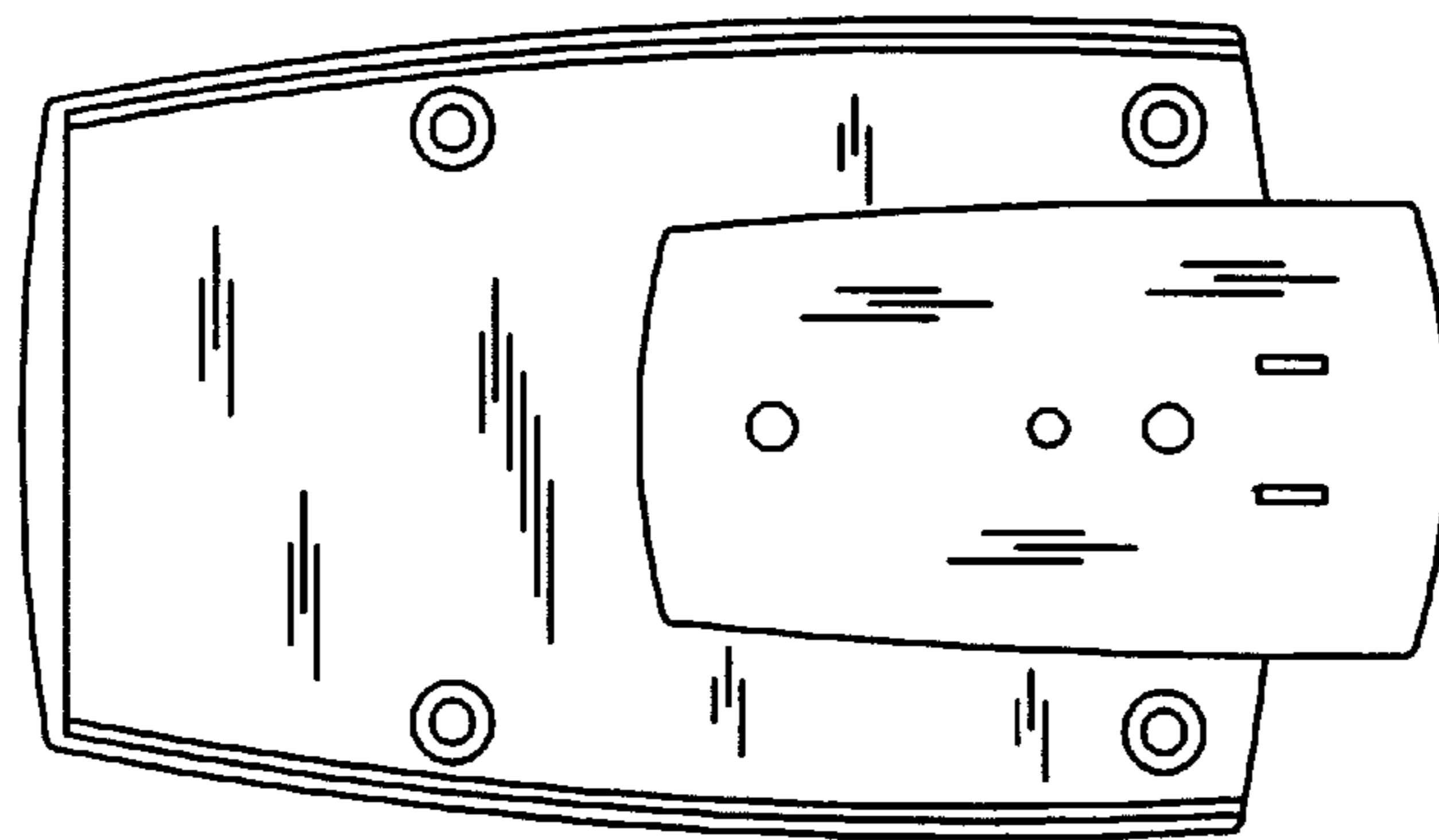


FIG. 3

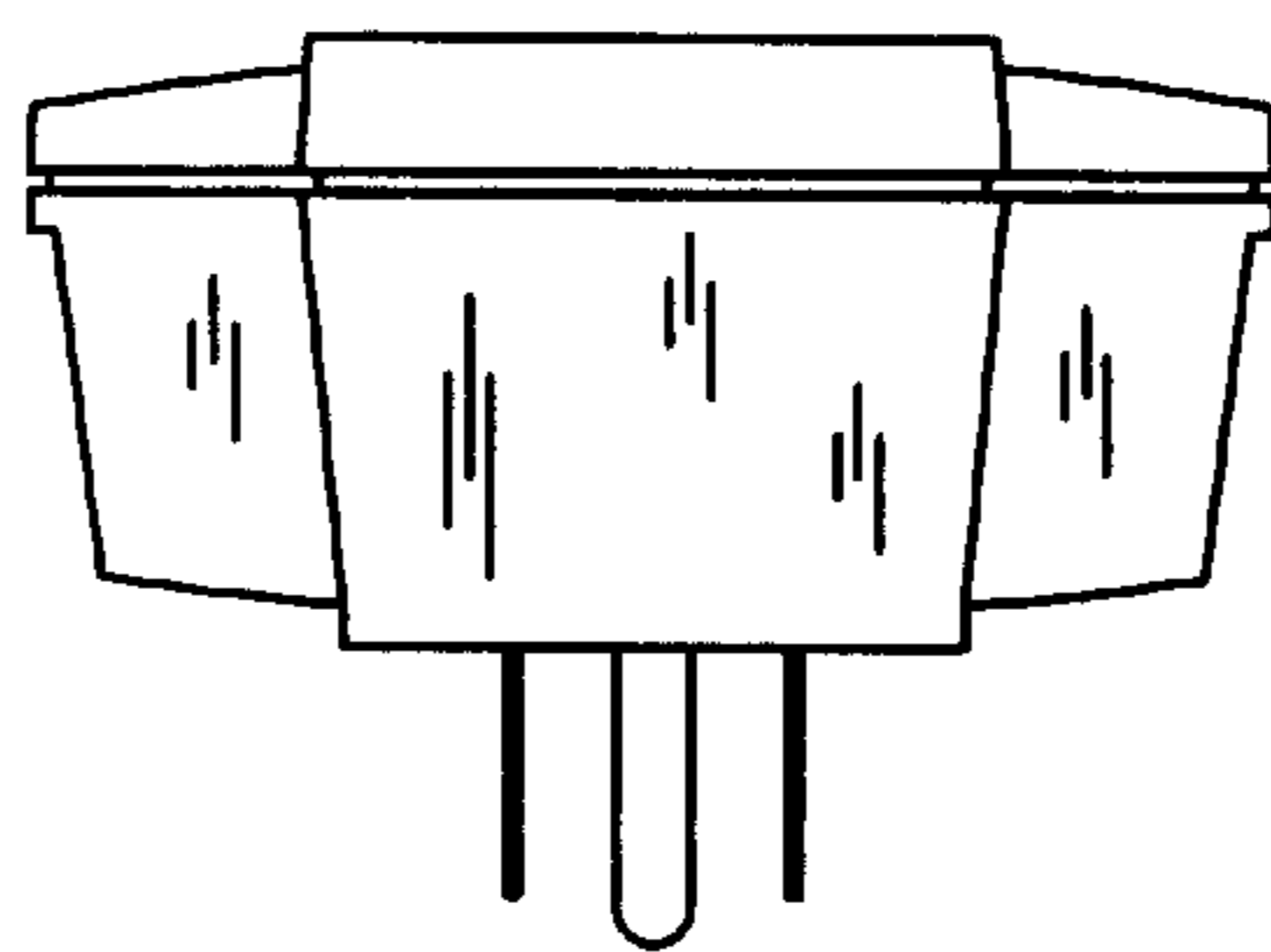


FIG. 4

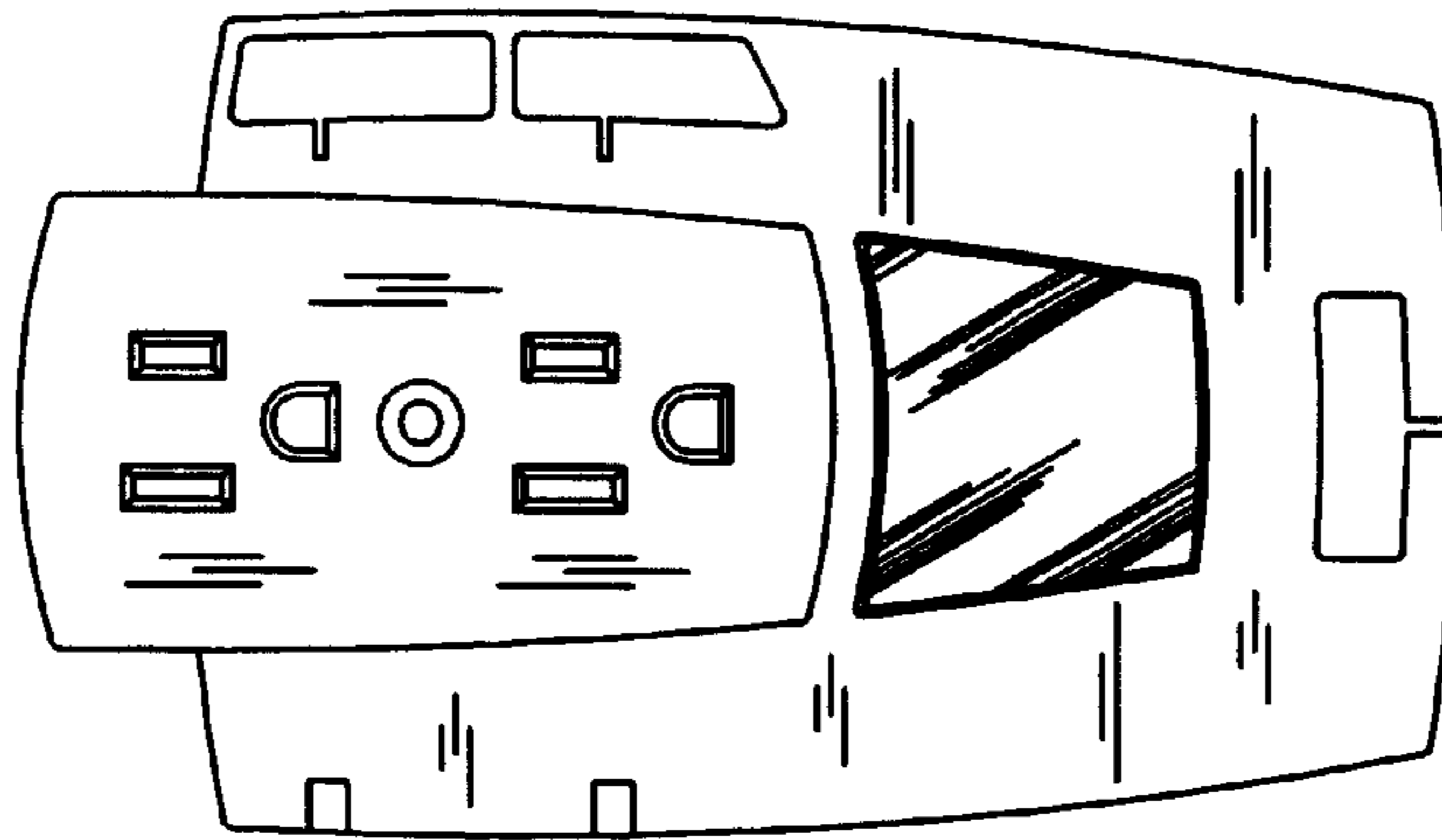


FIG. 5

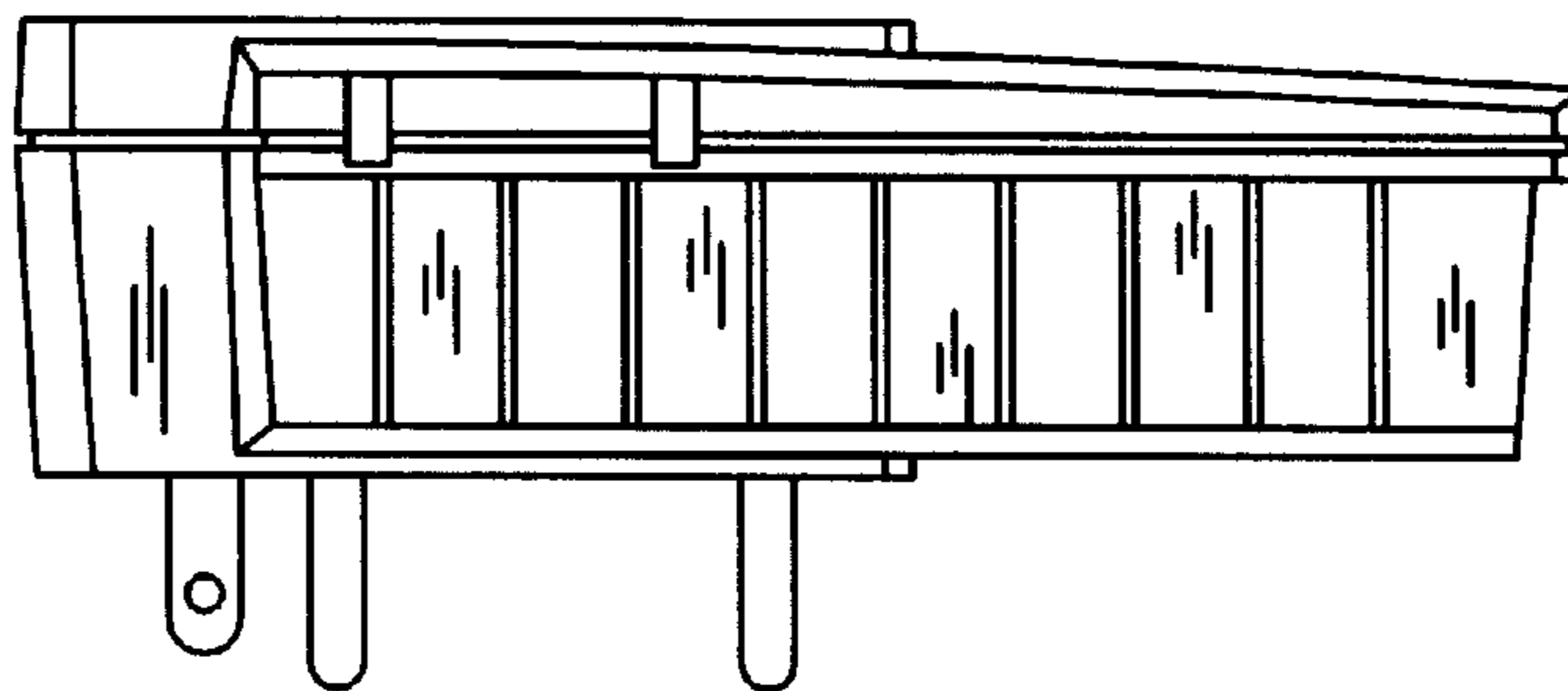


FIG. 6

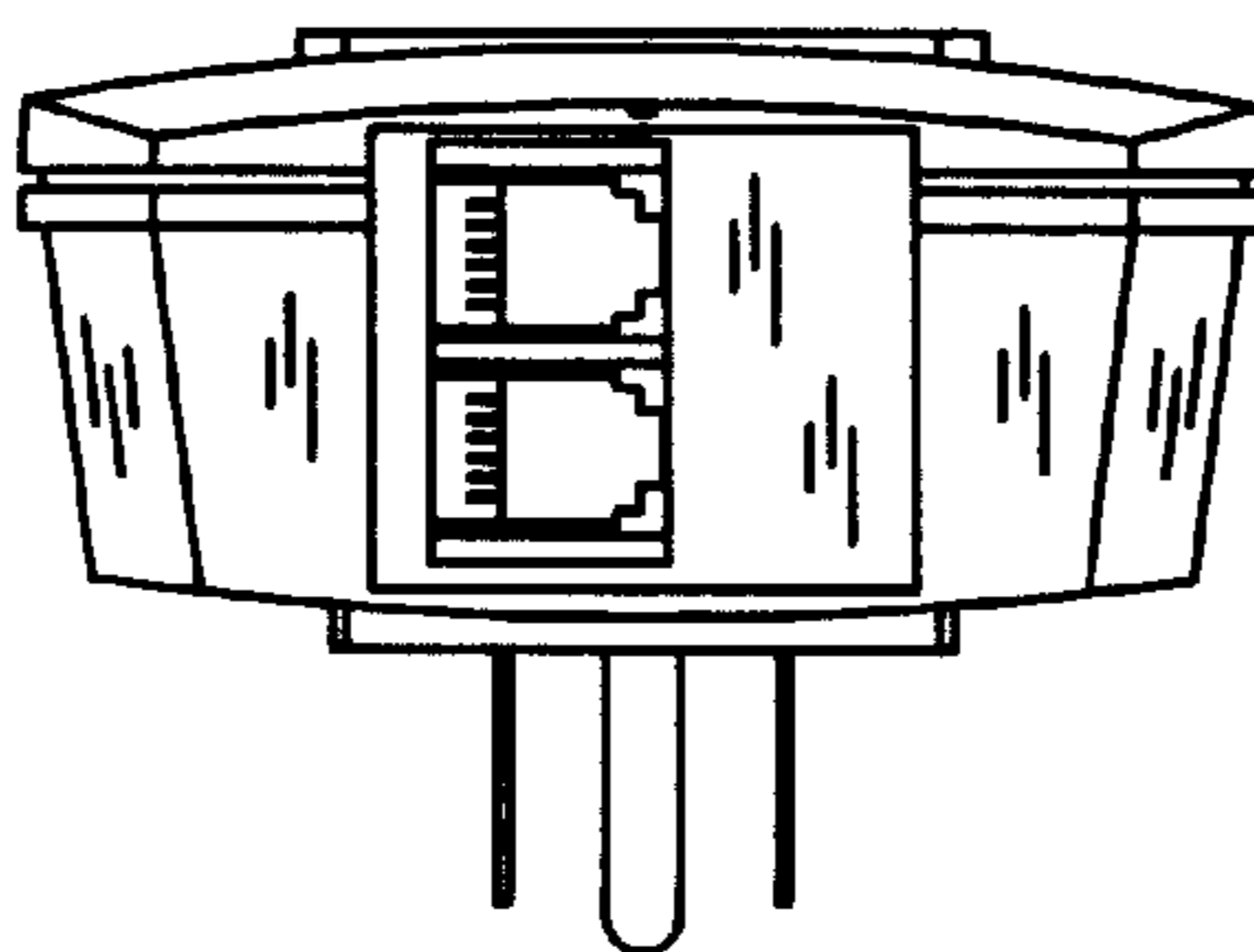


FIG. 7

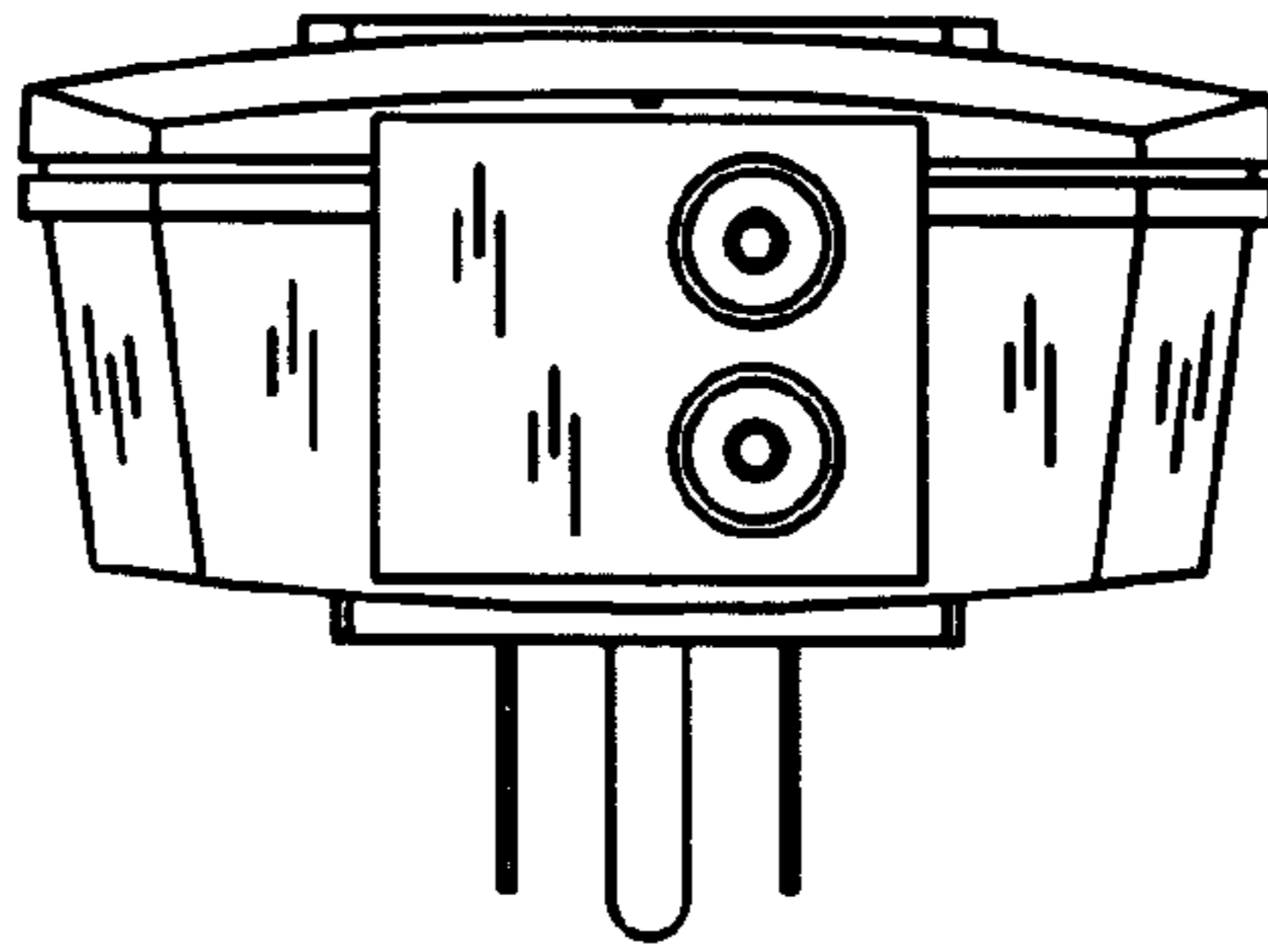


FIG. 8

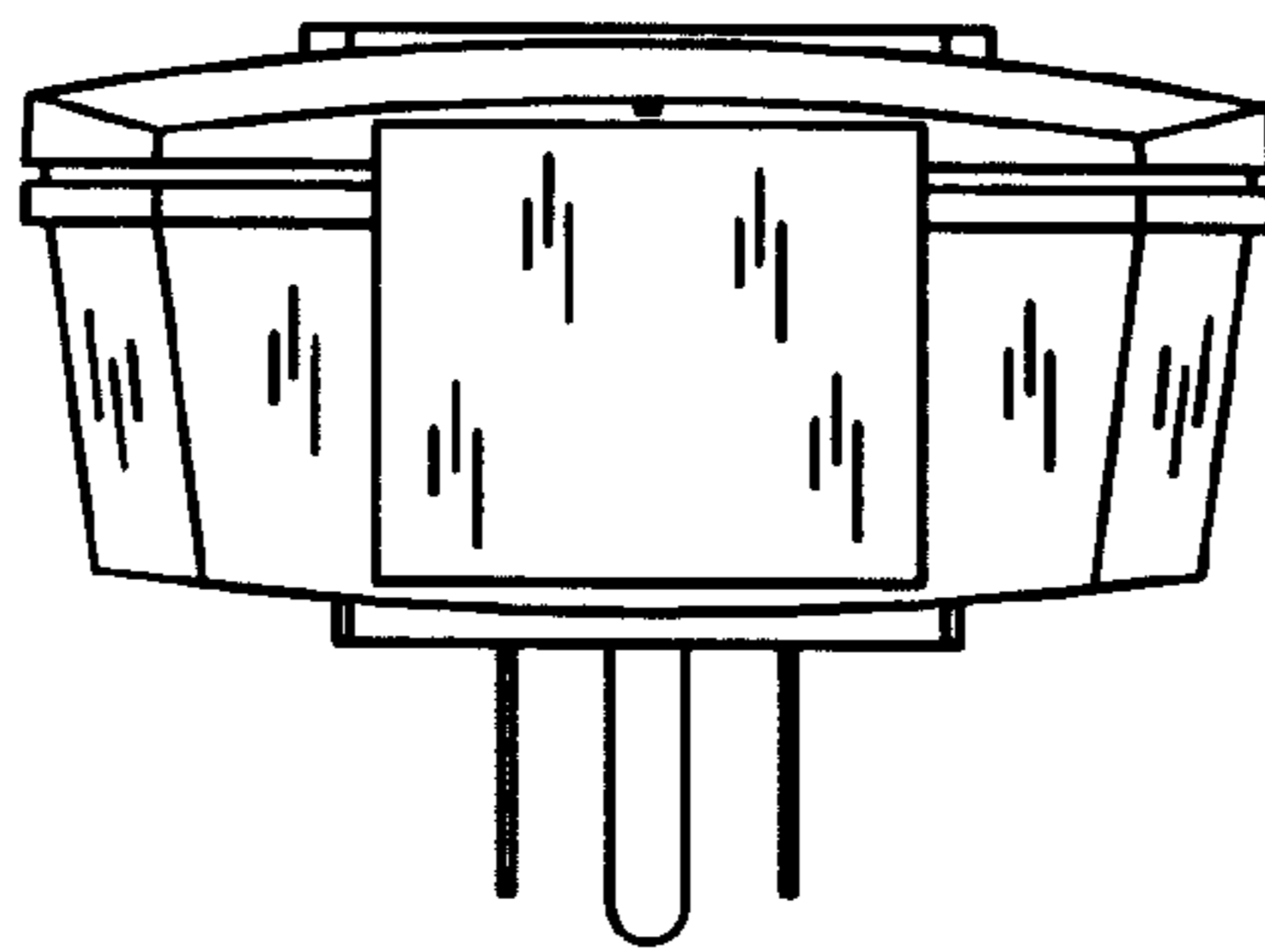


FIG. 9

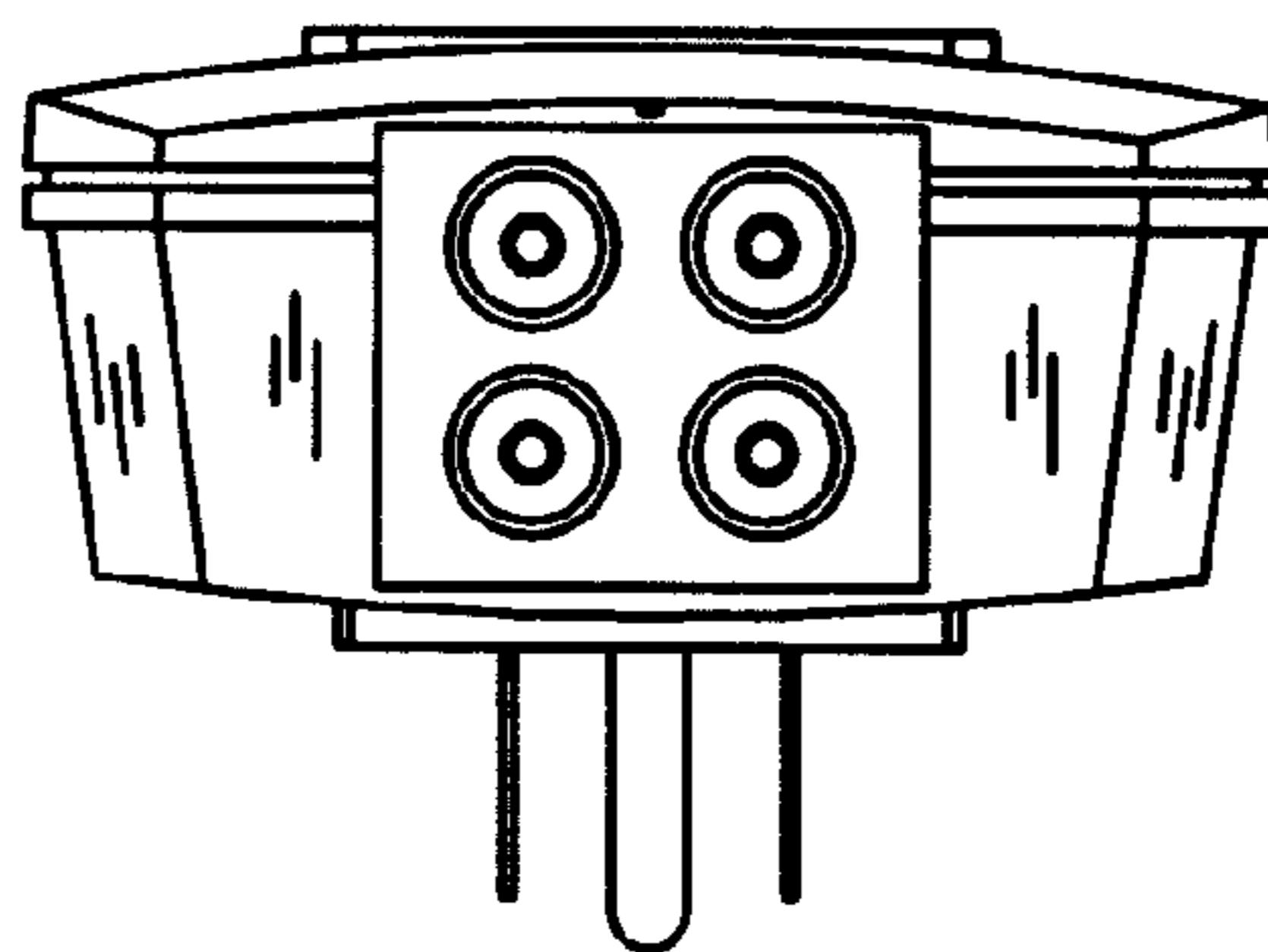


FIG. 10