



US00D444449S

(12) **United States Design Patent**
Yamamoto

(10) **Patent No.:** **US D444,449 S**

(45) **Date of Patent:** **** Jul. 3, 2001**

(54) **BATTERY CHARGER**

(75) Inventor: **Kazuo Yamamoto**, Tokyo (JP)

(73) Assignee: **Olympus Optical Co., Ltd.**, Tokyo (JP)

(**) Term: **14 Years**

(21) Appl. No.: **29/131,615**

(22) Filed: **Oct. 25, 2000**

(30) **Foreign Application Priority Data**

May 31, 2000 (JP) 12-014610

(51) **LOC (7) Cl.** **13-02**

(52) **U.S. Cl.** **D13/107**

(58) **Field of Search** D13/107, 108,
D13/118; D14/149, 251, 253; 320/110-115

(56) **References Cited**

U.S. PATENT DOCUMENTS

- D. 215,303 * 9/1969 Carpenter D13/108
- D. 292,912 * 11/1987 Muller et al. D13/108
- D. 328,055 * 7/1992 Tien D13/107
- D. 370,658 * 6/1996 Siddoway et al. D13/108
- D. 385,283 * 10/1997 Snyder et al. D14/253

- D. 432,984 * 10/2000 Krieger D13/107
- 5,230,016 * 7/1993 Yasuda D14/142
- 5,940,502 * 8/1999 Hirai et al. 379/446

* cited by examiner

Primary Examiner—Joel Sincavage

(74) *Attorney, Agent, or Firm*—Hogan & Hartson, LLP

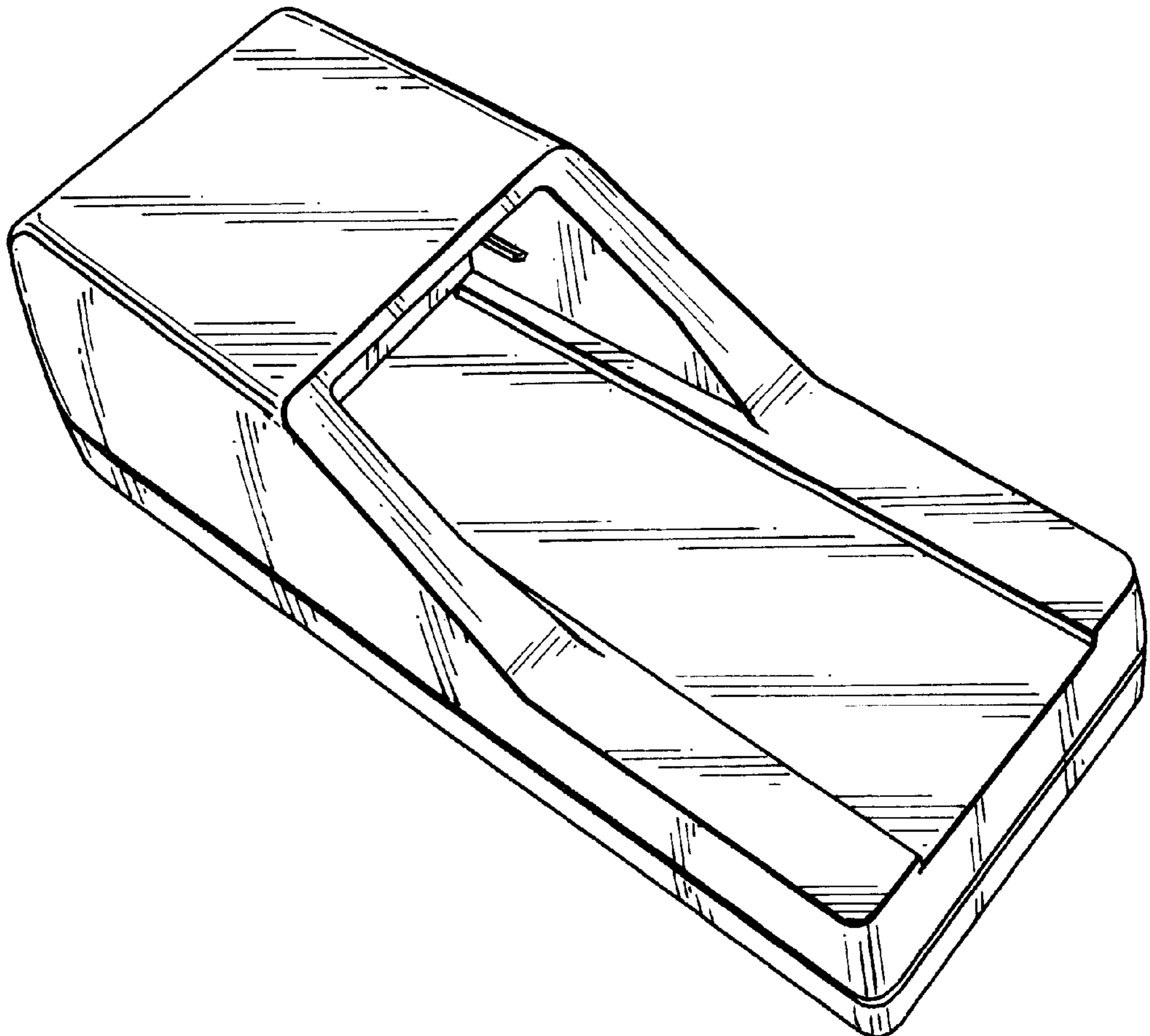
(57) **CLAIM**

The ornamental design for a battery charger, as shown.

DESCRIPTION

FIG. 1 is a front, top and right side perspective view of a battery charger, showing my new design;
 FIG. 2 is a front elevational view thereof; the opposite side being a mirror image thereof;
 FIG. 3 is a top plan view thereof;
 FIG. 4 is a left side elevational view thereof;
 FIG. 5 is a right side elevational view thereof;
 FIG. 6 is a bottom plan view thereof; and,
 FIG. 7 is a reference view thereof showing the state of use. The broken lines showing the battery in FIG. 7 are included for the purpose of illustrating environmental structure only and form no part of the claimed design.

1 Claim, 2 Drawing Sheets



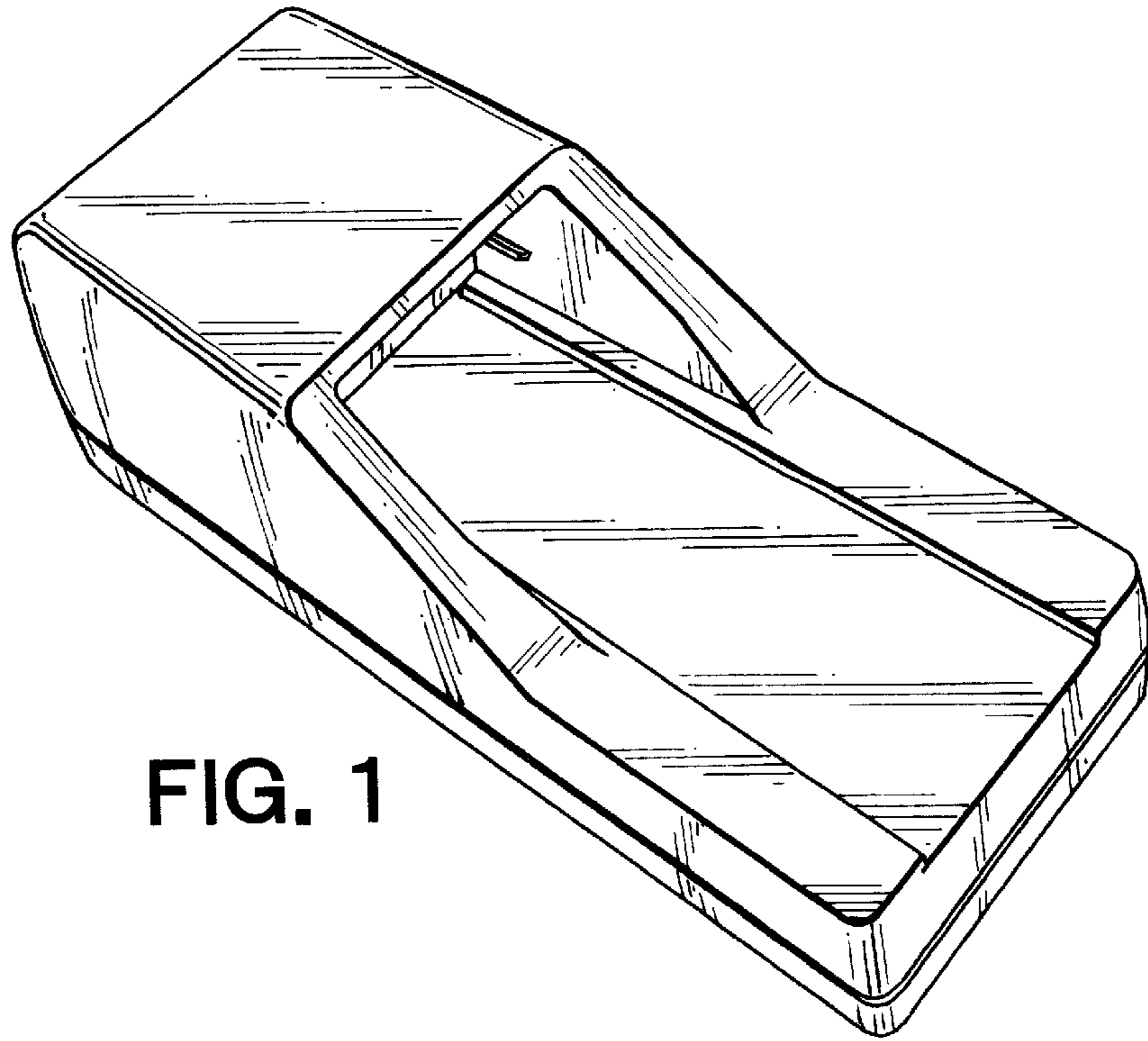


FIG. 1

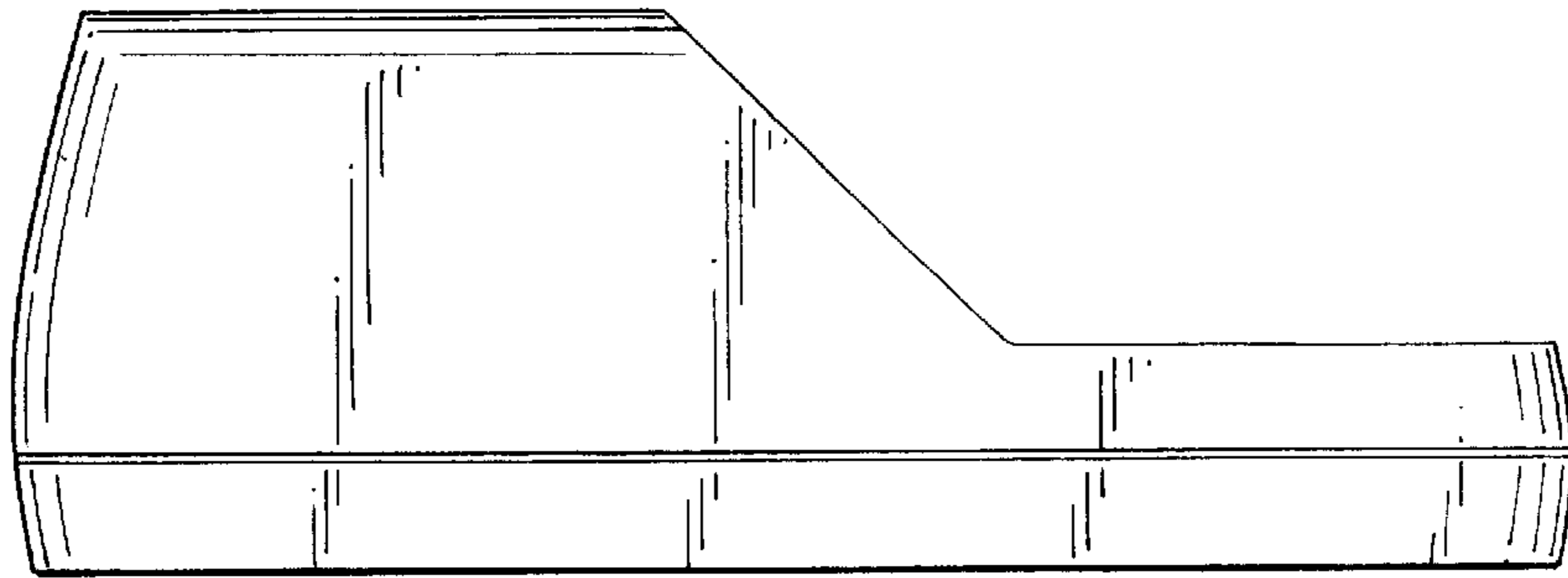


FIG. 2

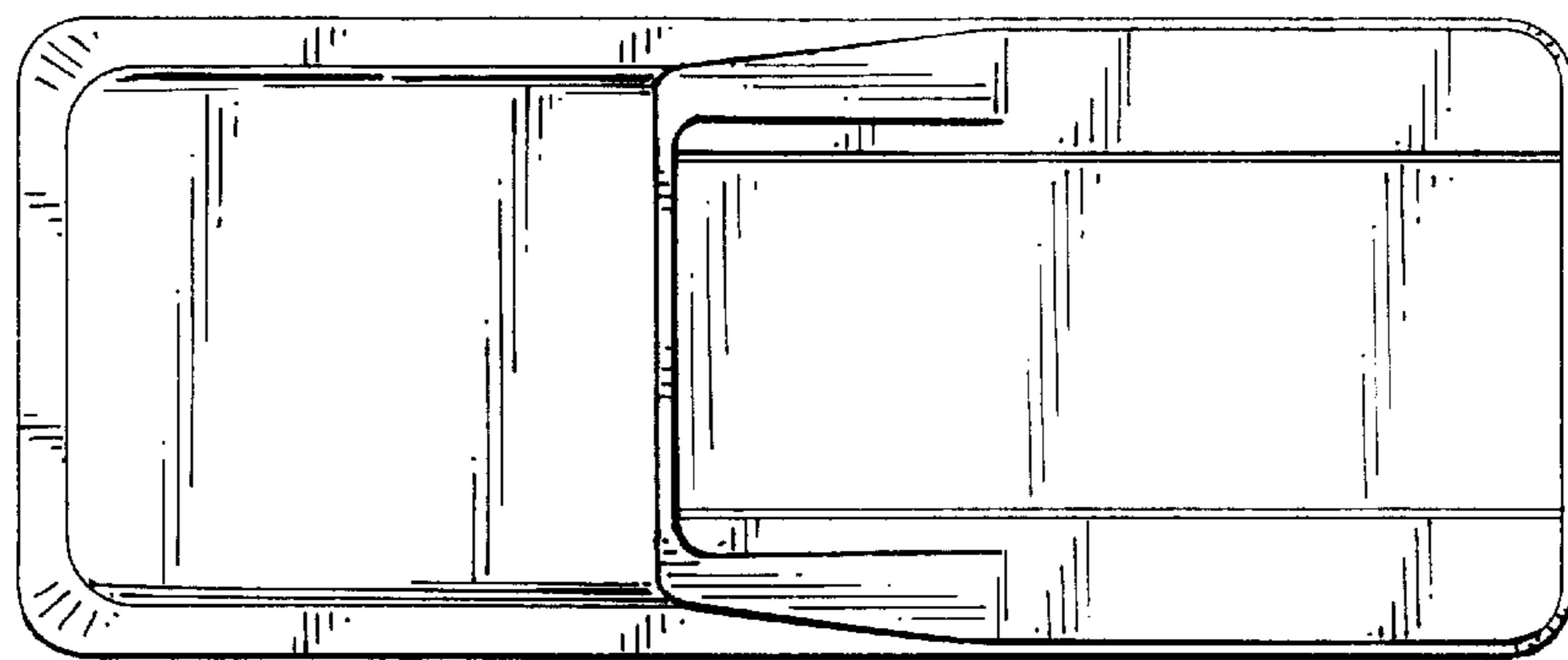


FIG. 3

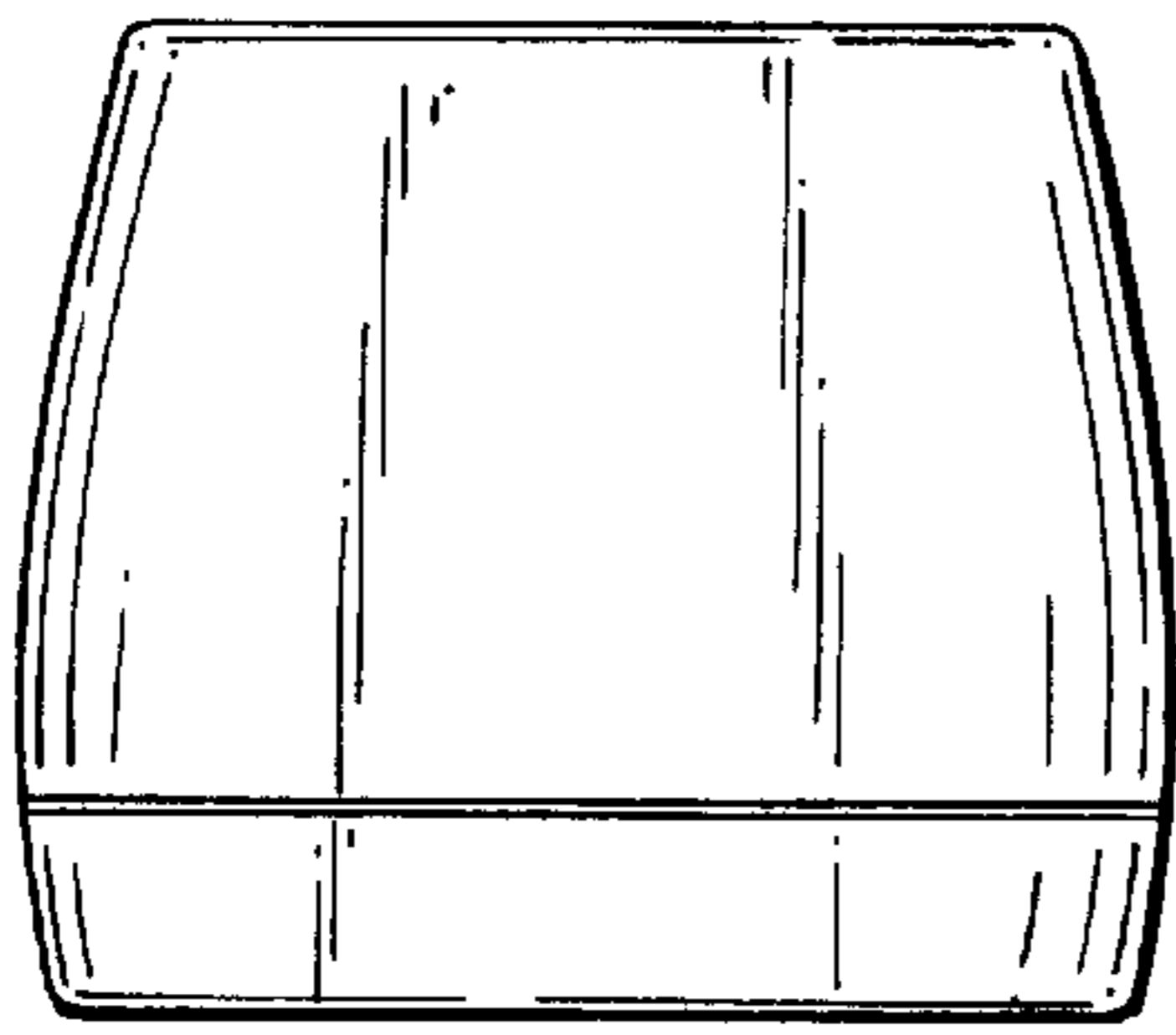


FIG. 4

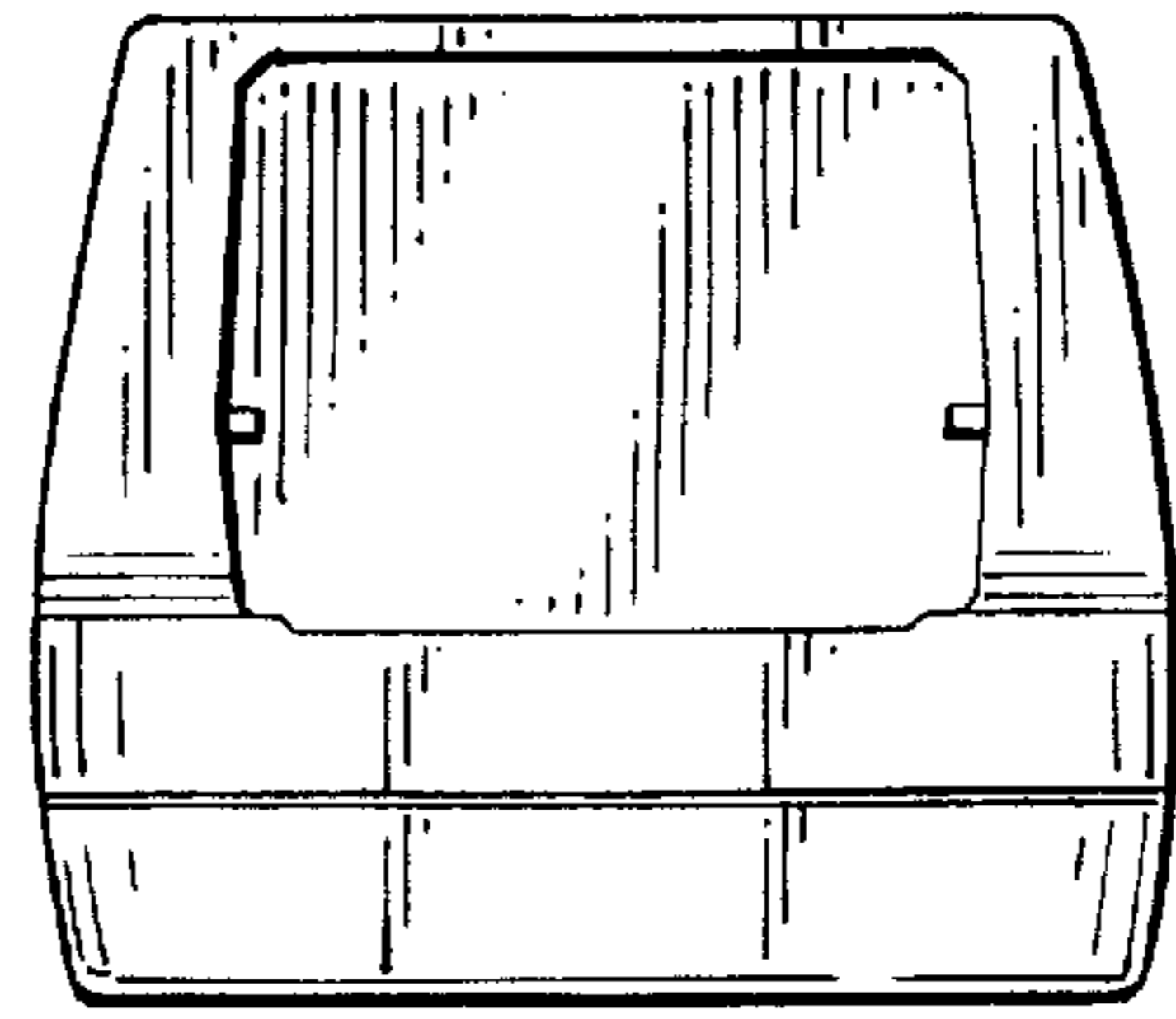


FIG. 5

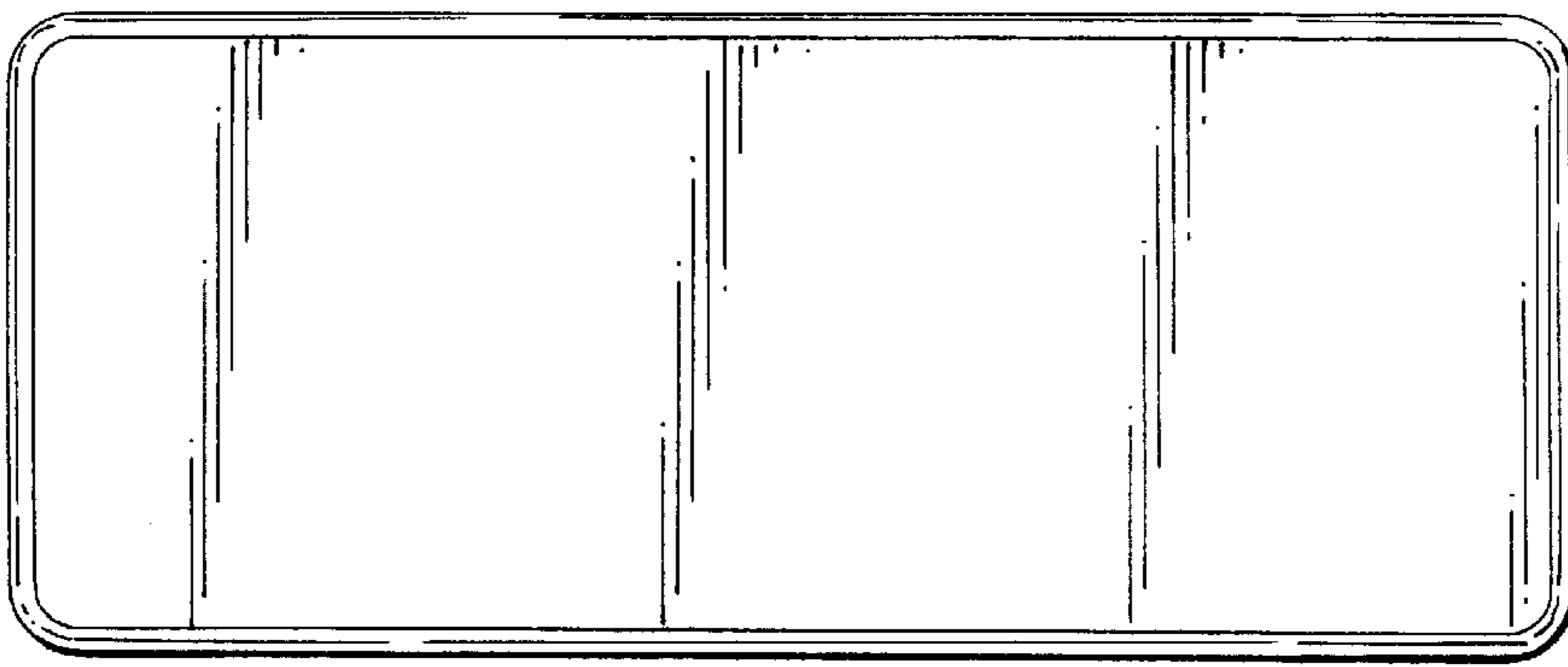


FIG. 6

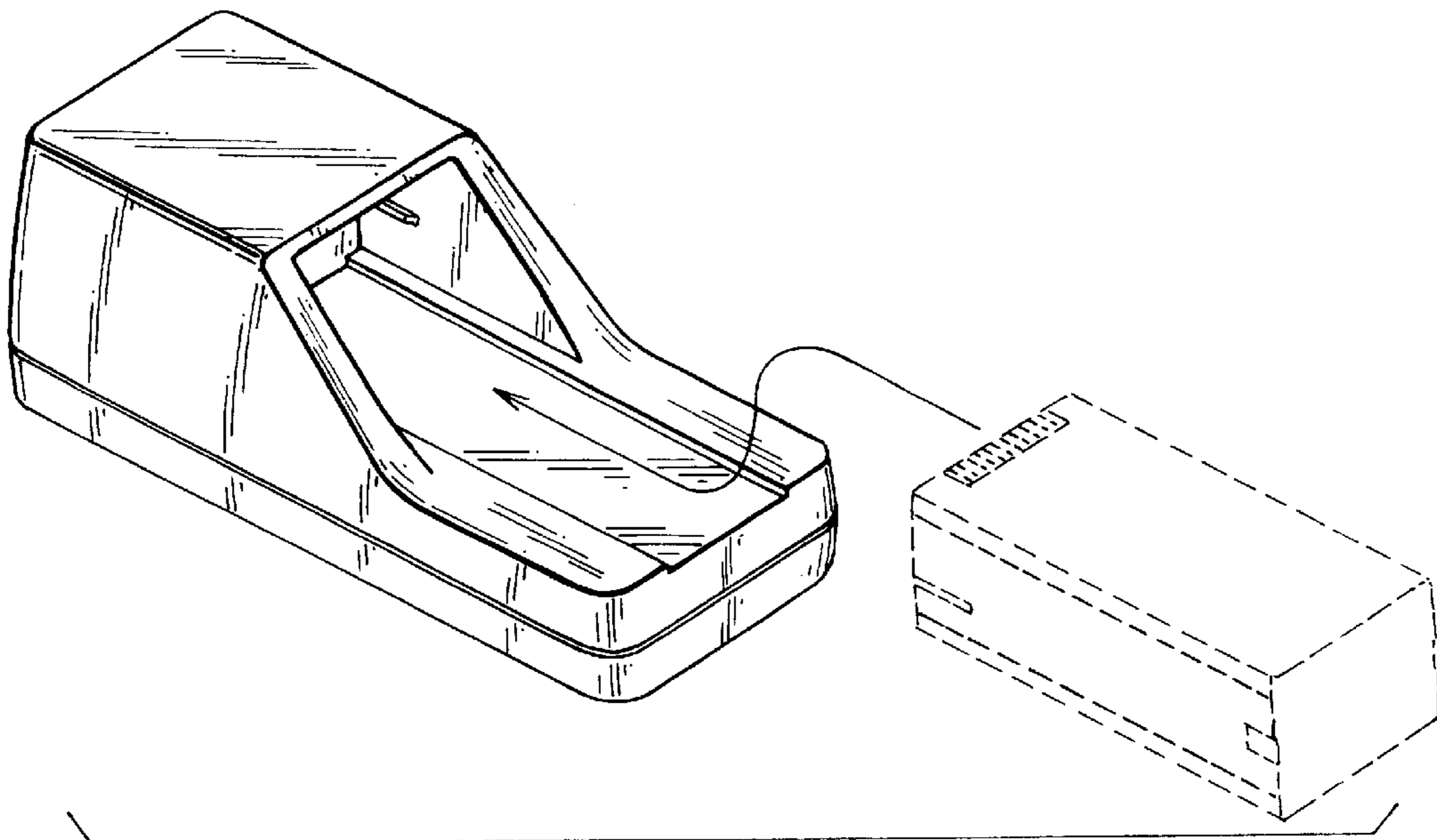


FIG. 7