



US00D444446S

(12) **United States Design Patent**
Carter

(10) **Patent No.:** **US D444,446 S**

(45) **Date of Patent:** **** Jul. 3, 2001**

(54) **MODULAR TRUCK RACK**

4,057,281 * 11/1977 Garrett D12/406 X
4,278,175 * 7/1981 Jackson D12/406 X

(76) Inventor: **Bob Carter**, P.O. Box 1002, Diamond Springs, CA (US) 95619

* cited by examiner

(**) Term: **14 Years**

Primary Examiner—Stacia Cadmus

(74) *Attorney, Agent, or Firm*—Mark C. Jacobs

(21) Appl. No.: **29/134,953**

(57) **CLAIM**

(22) Filed: **Jan. 3, 2001**

The ornamental design for a modular truck rack, as shown and described.

(51) **LOC (7) Cl.** **12-16**

DESCRIPTION

(52) **U.S. Cl.** **D12/406**

FIG. 1 is a perspective view of a modular truck rack, showing my new design.

(58) **Field of Search** D12/406, 412-414.1; 296/3, 37.1; 224/402-405; 211/182, 162, 175-176, 205-206; 52/731.7, 731.6, 735.1, 737.6

FIG. 2 is a top plan view thereof;
FIG. 3 is a right side elevational view thereof, it being understood that the left side thereof is a mirror image thereof;

(56) **References Cited**

U.S. PATENT DOCUMENTS

D. 220,688	*	5/1971	Zulim	D12/406
D. 236,973	*	9/1975	Burton	D12/406
D. 244,268	*	5/1977	Hinch	D12/406
D. 305,111	*	12/1989	Zagner	D12/406
D. 318,447	*	7/1991	Haugen et al.	D12/412
D. 360,614	*	7/1995	Alcocer	D12/412
D. 362,654	*	9/1995	Keith	D12/406
D. 367,843	*	3/1996	Tayar	D12/412
D. 398,284	*	9/1998	Carter et al.	D12/406
D. 436,915	*	1/2001	Burger	D12/406

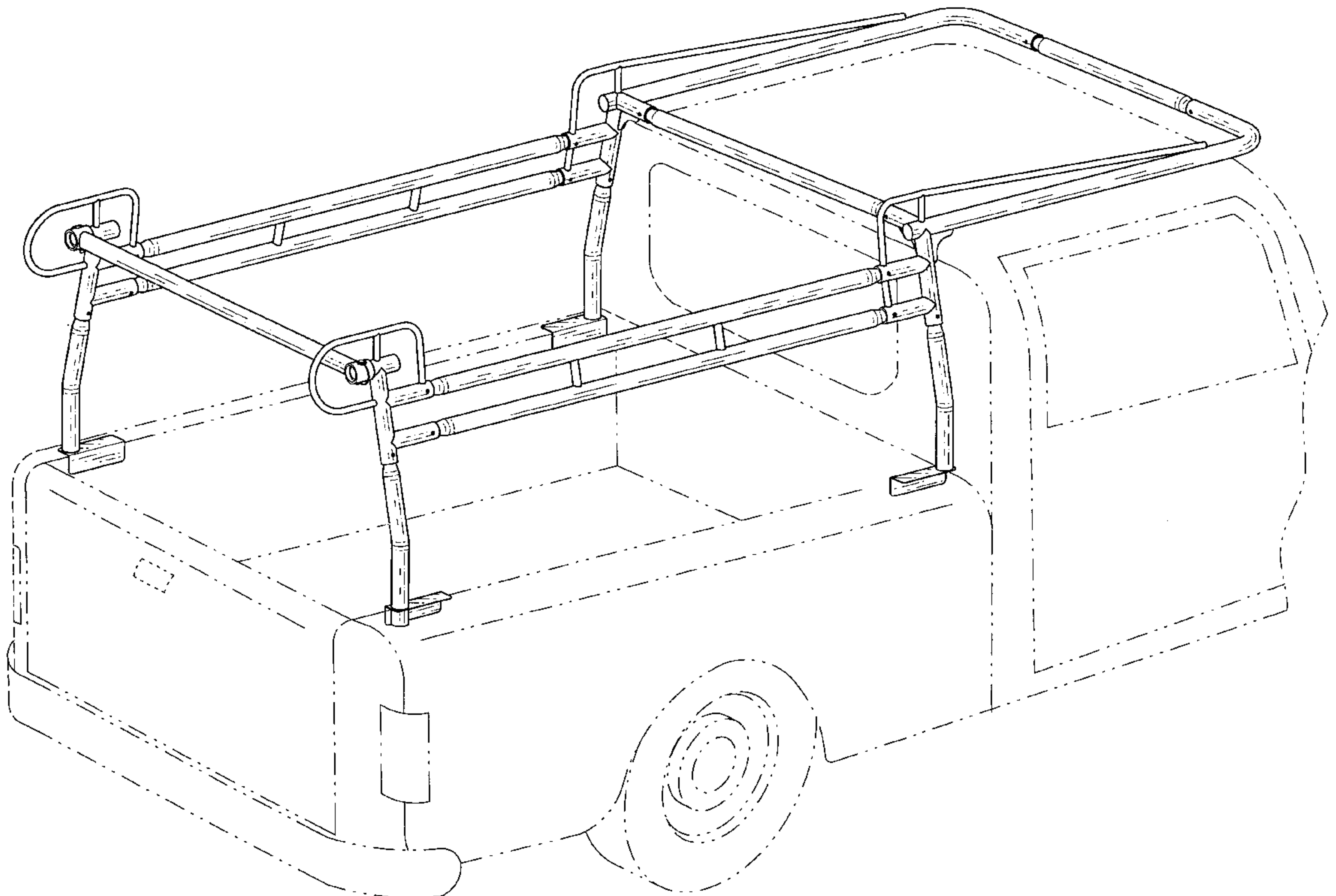
FIG. 4 is a front elevational view thereof;
FIG. 5 is a rear elevational view thereof;
FIG. 6 is a bottom plan view thereof;
FIG. 7 is a perspective view of a second embodiment of a modular truck rack, showing my new design.

FIG. 8 is a top plan view of FIG. 7.
FIG. 9 is a right side elevational view of of FIG. 7, it being understood that left side thereof is a mirror image.

FIG. 10 is a front elevational view of FIG. 7.
FIG. 11 is a rear elevational view of FIG. 7; and,
FIG. 12 is a bottom plan view of FIG. 7.

The broken line showing of environment is for illustrative purposes only and forms no part of the claimed design.

1 Claim, 6 Drawing Sheets



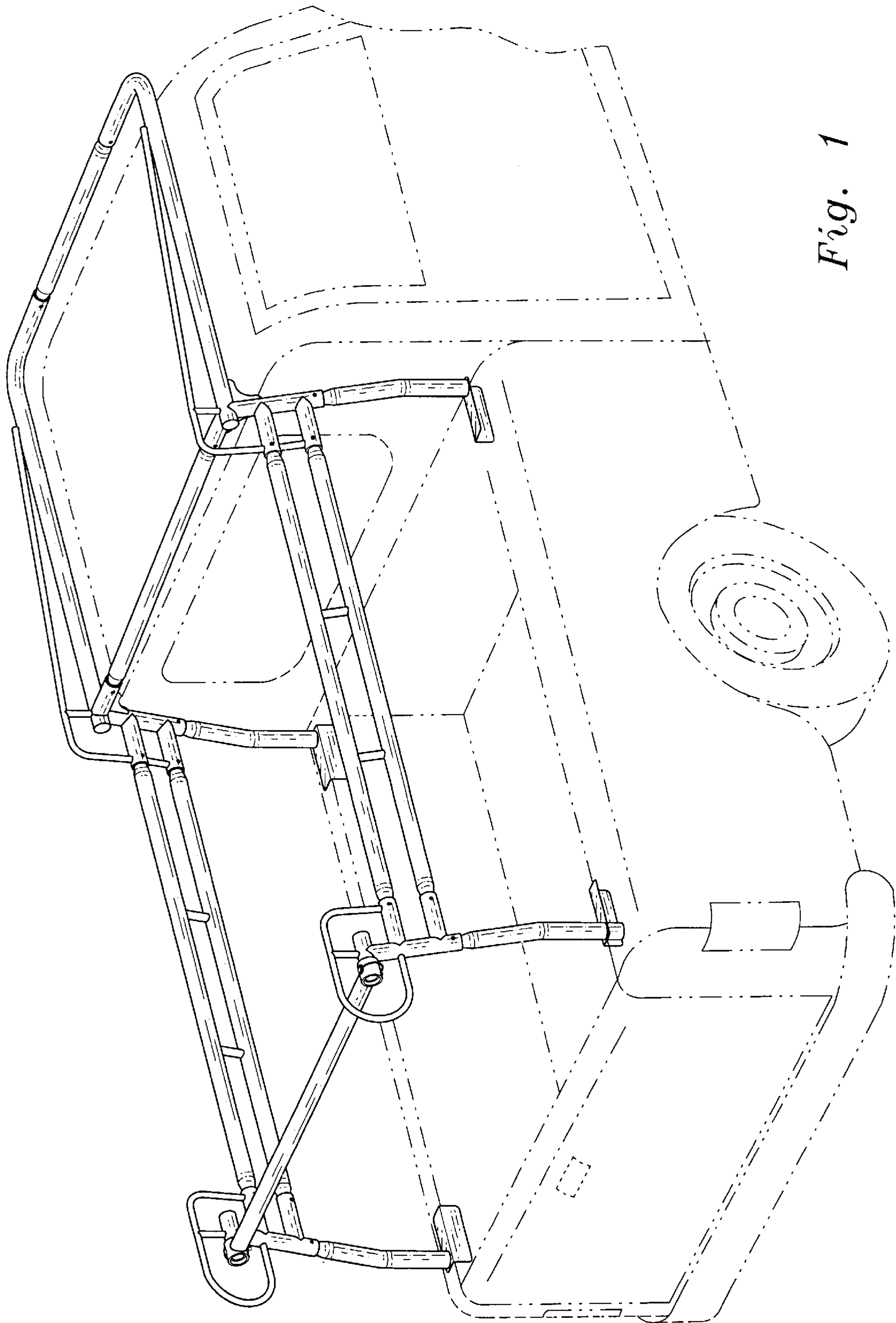


Fig. 1

Fig. 2

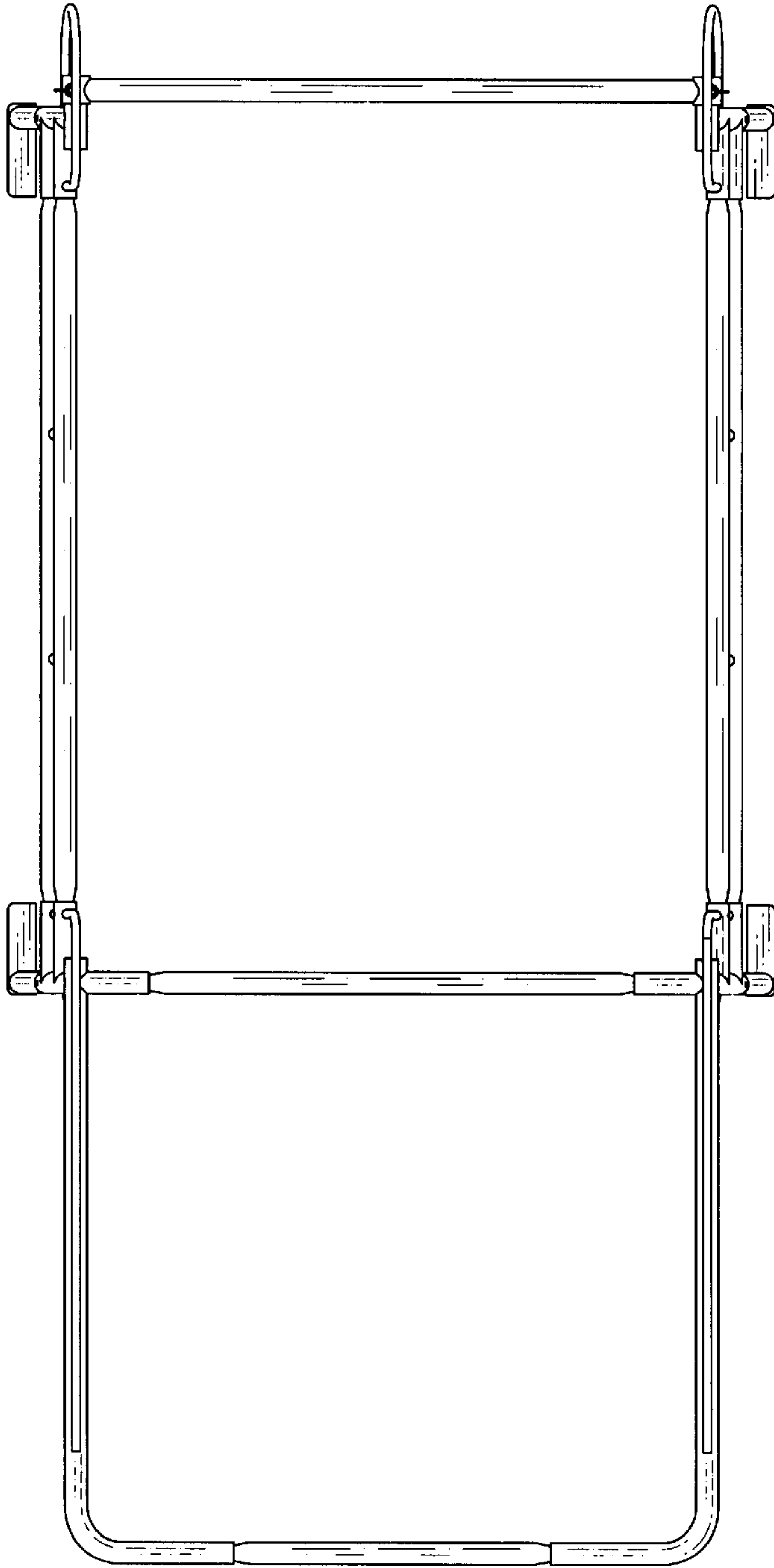
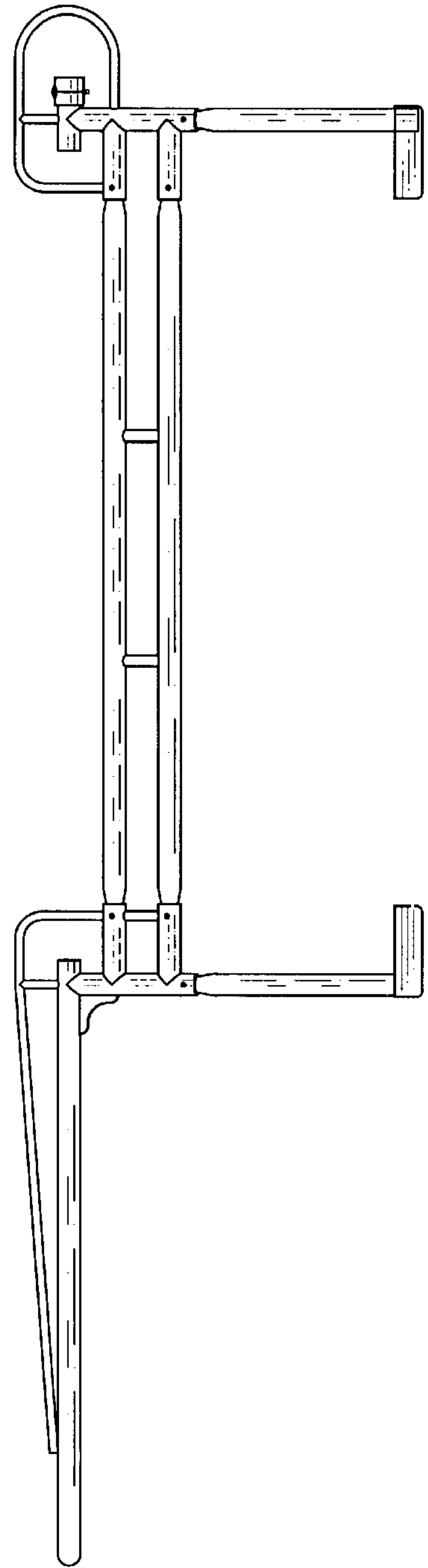


Fig. 3



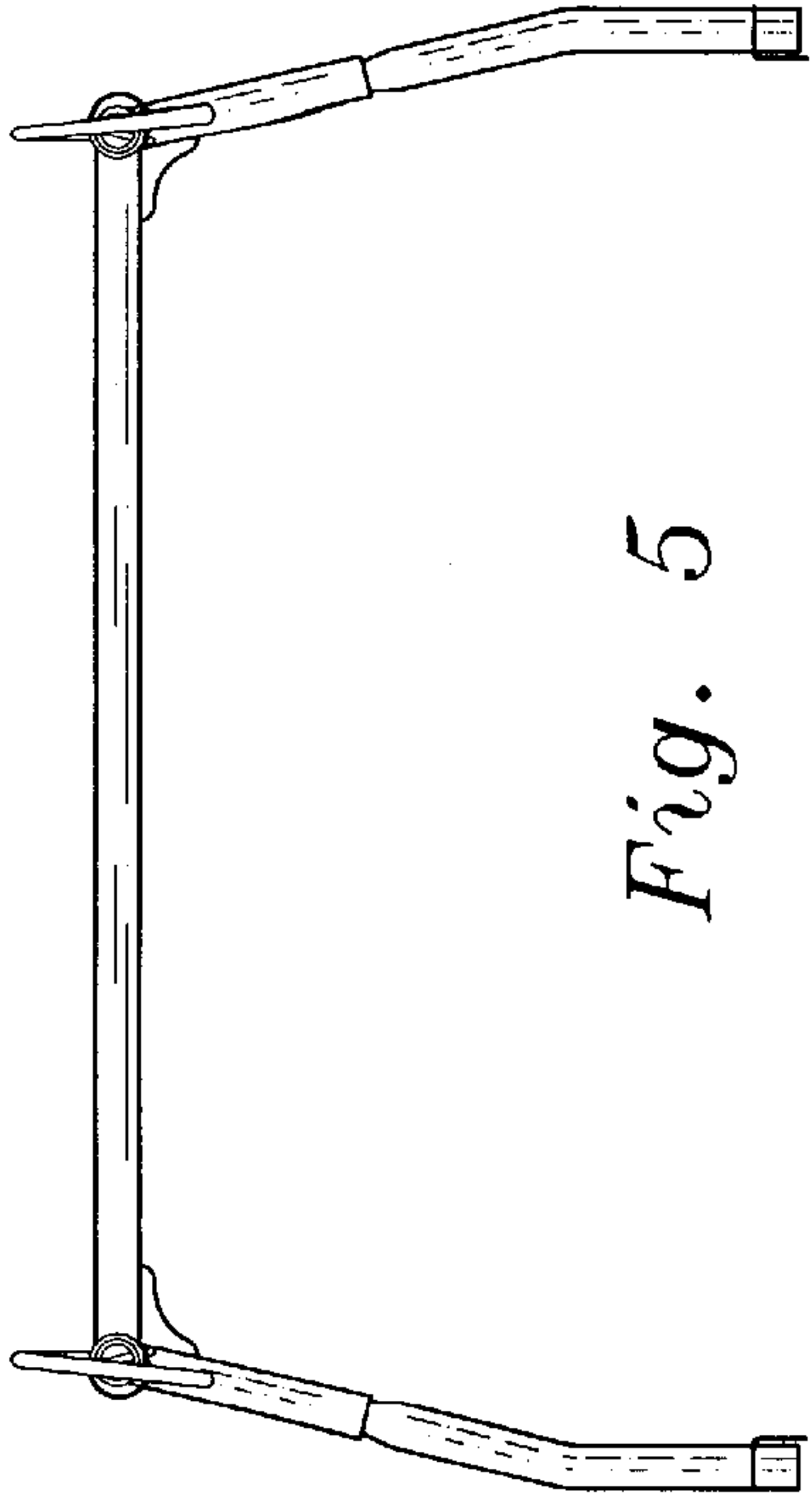


Fig. 5

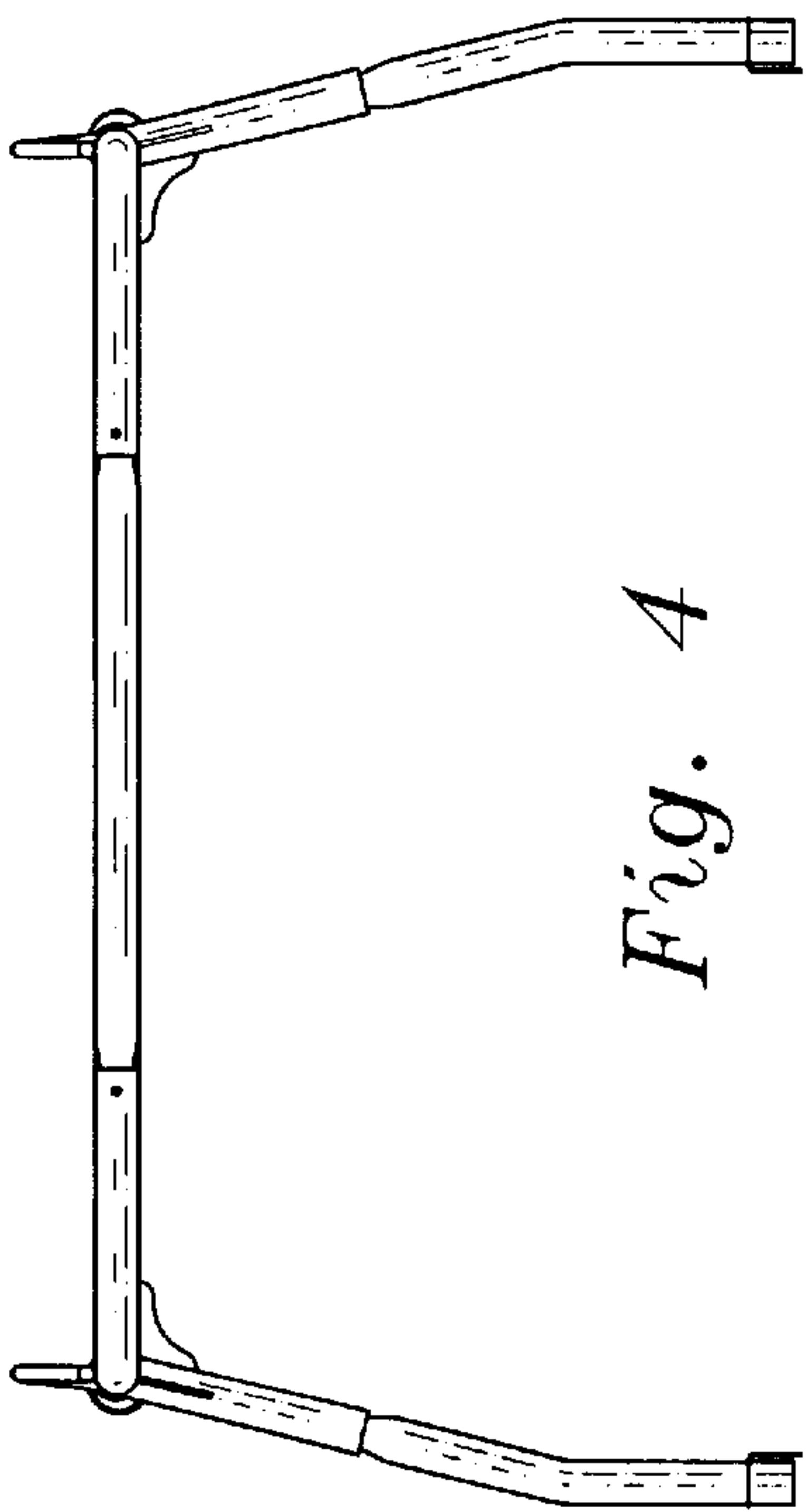


Fig. 4

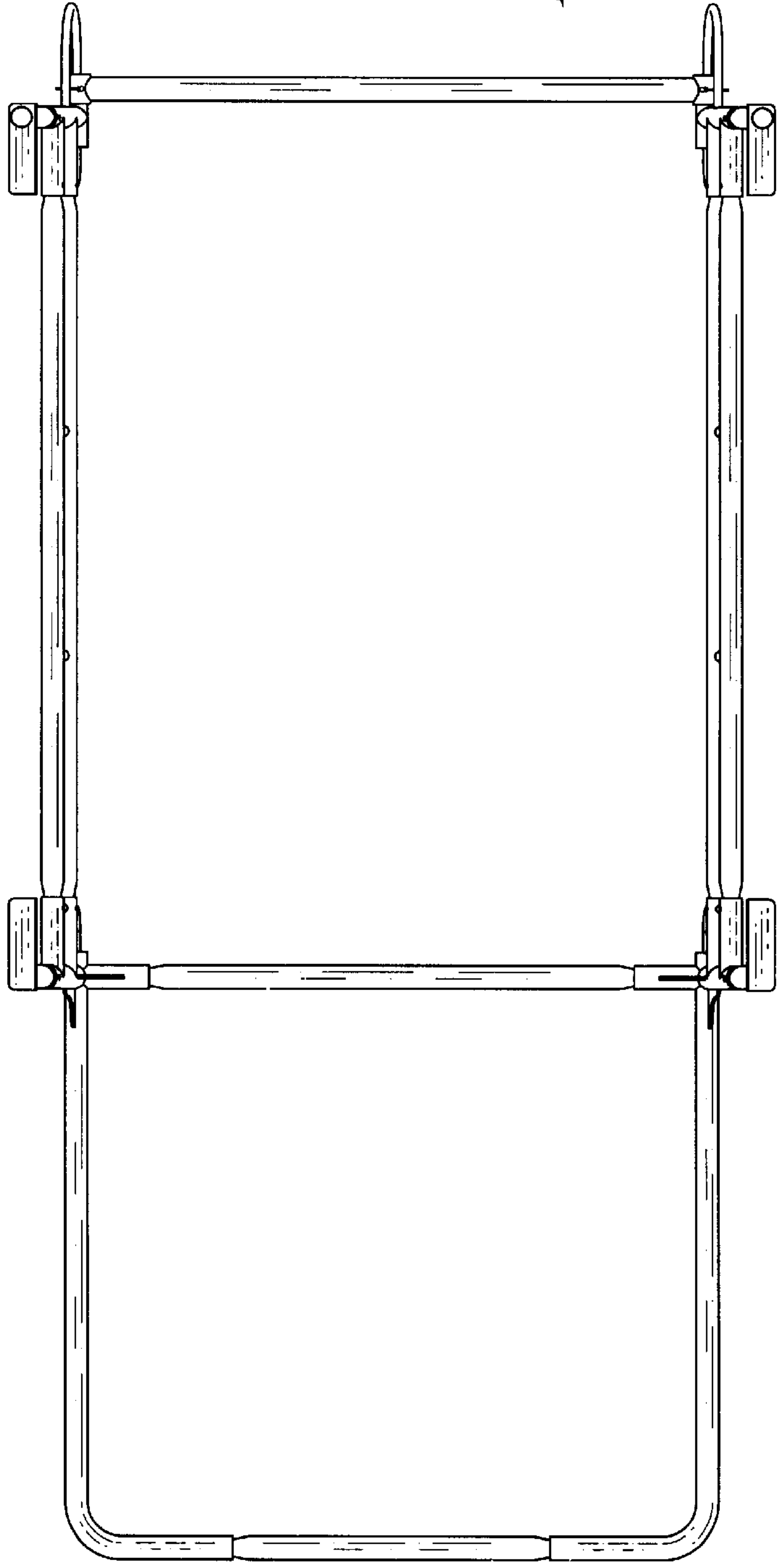


Fig. 6

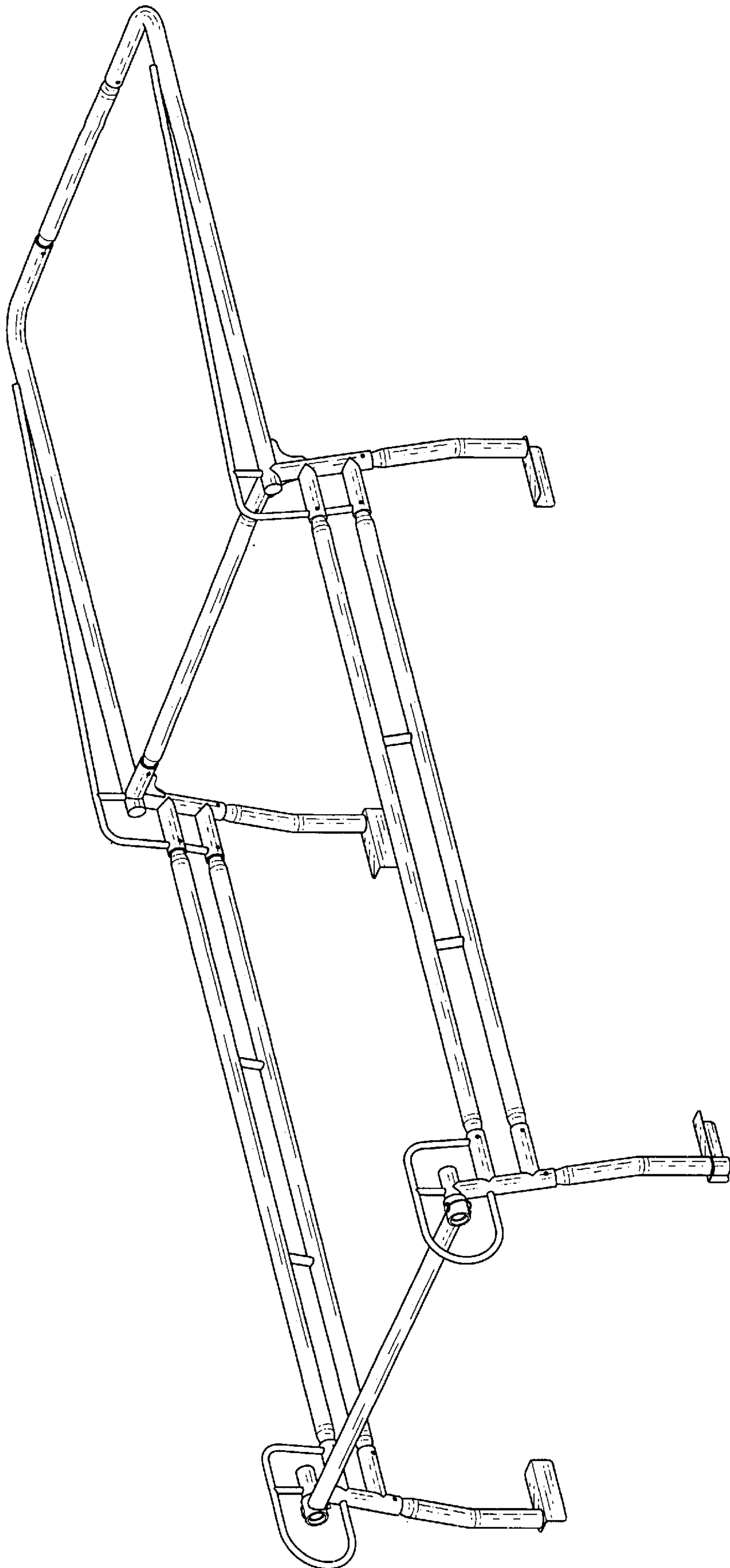


Fig. 7

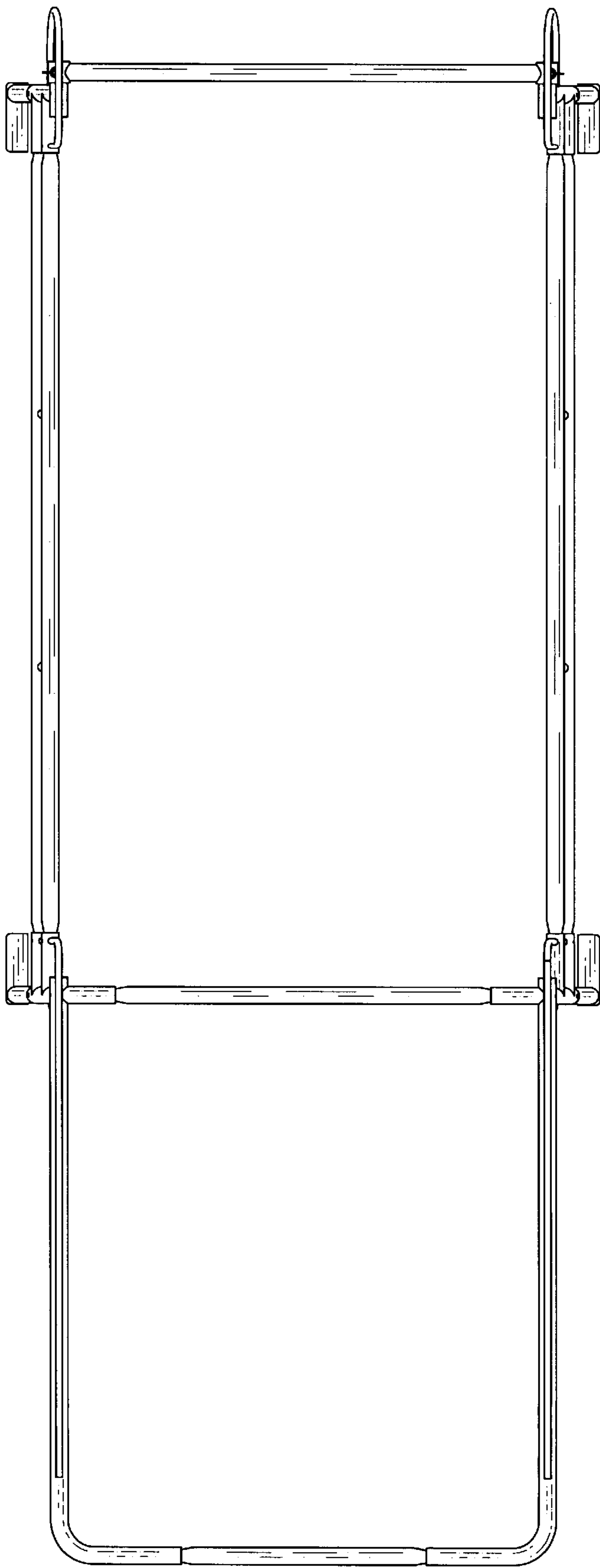


Fig. 8

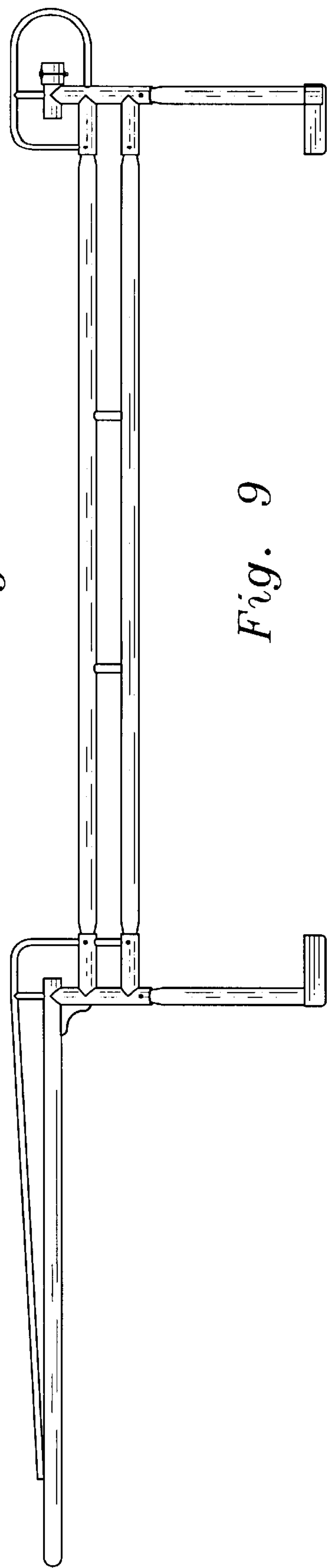


Fig. 9

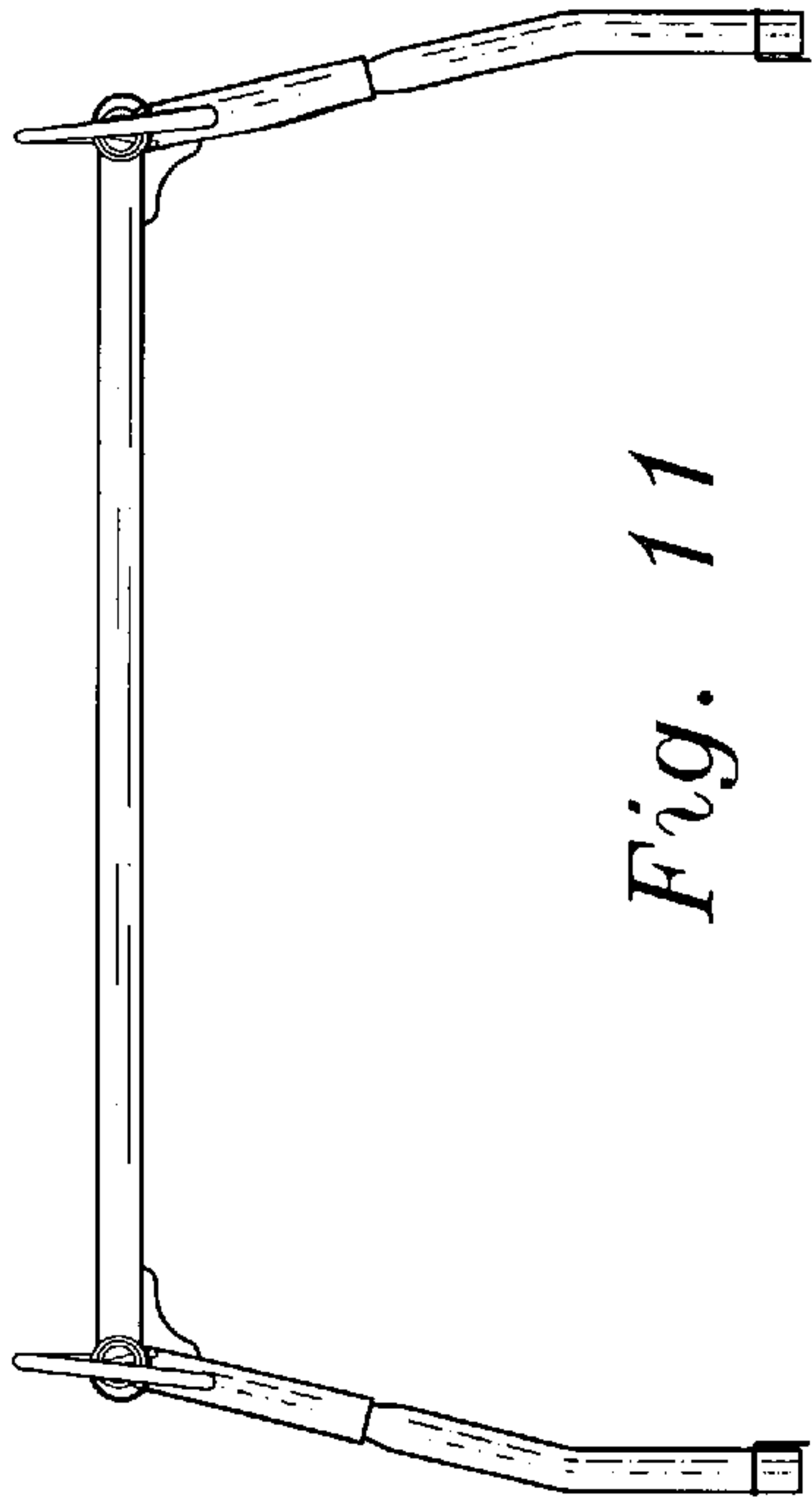


Fig. 10

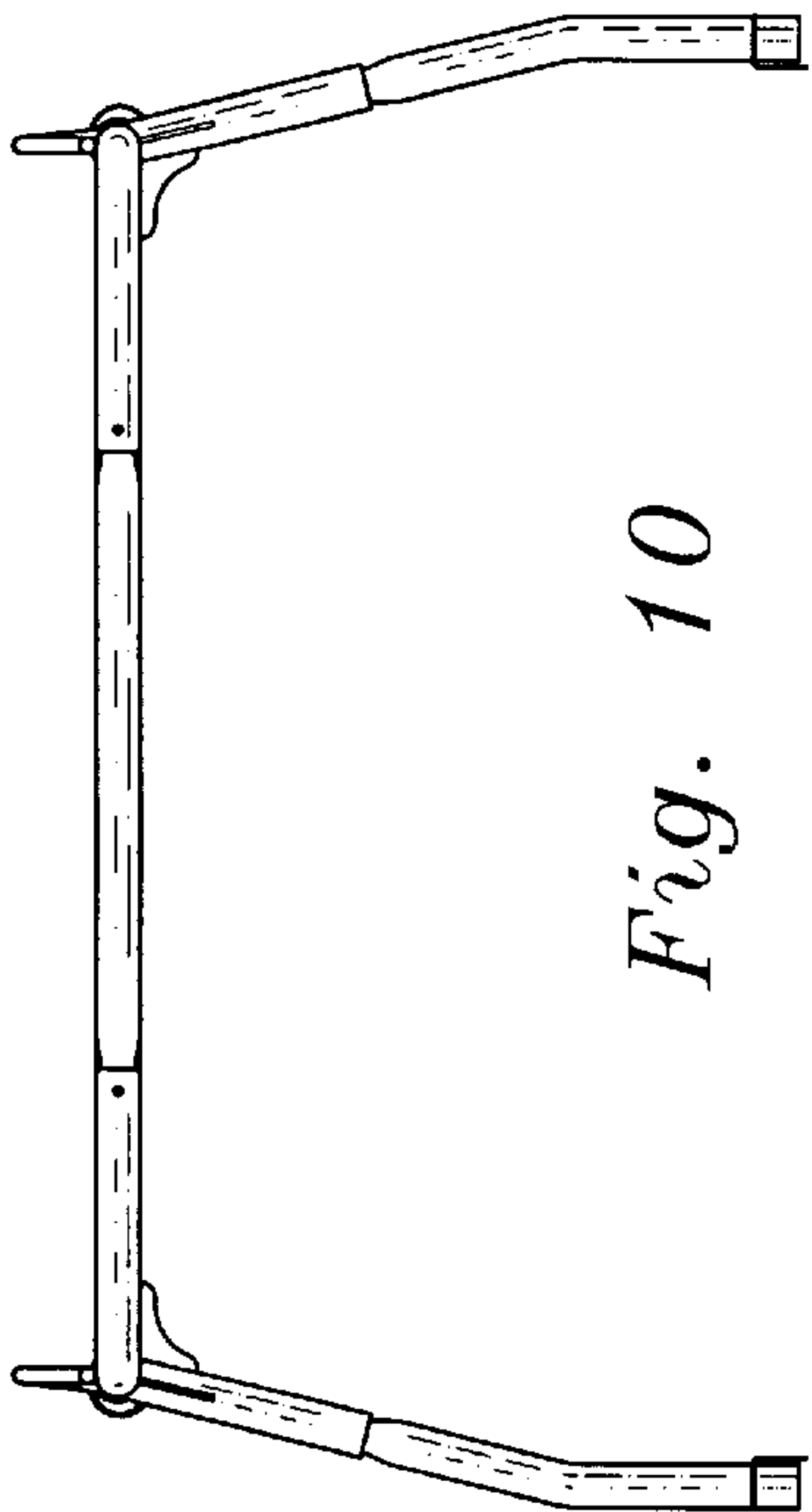


Fig. 11

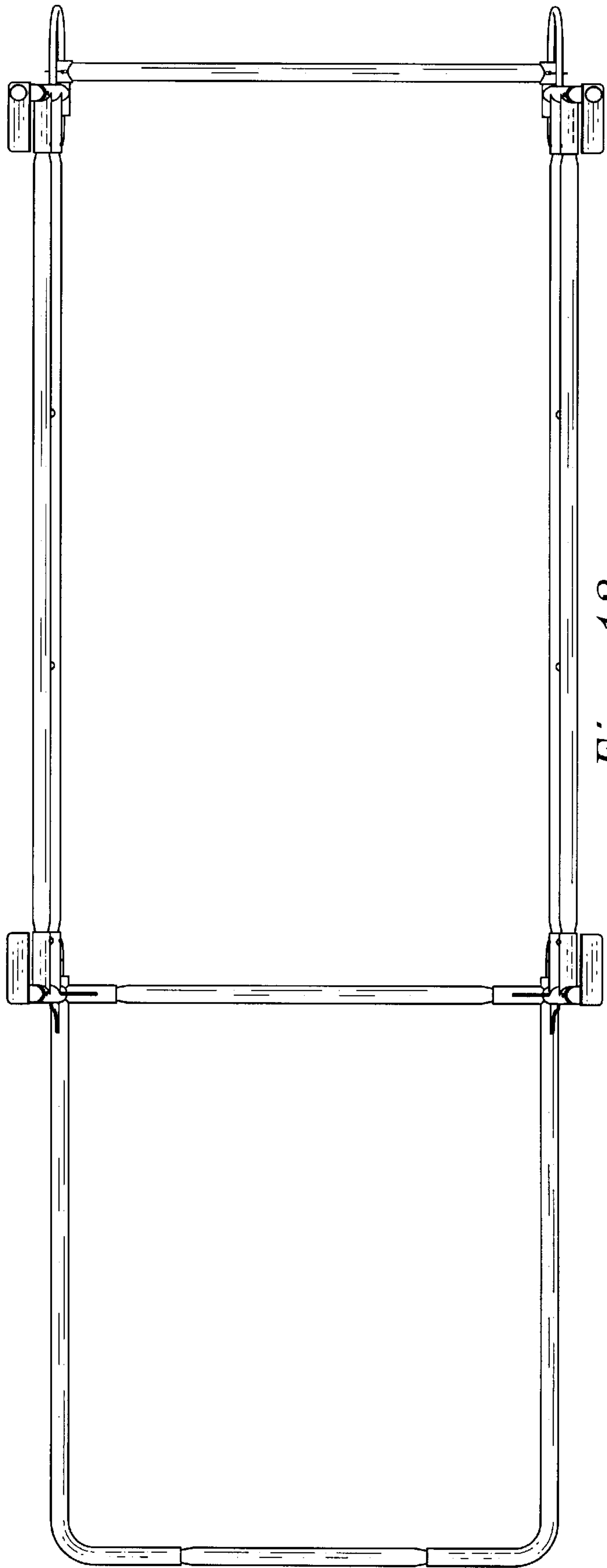


Fig. 12