



US00D44443S

(12) **United States Design Patent**
Wilson et al.

(10) **Patent No.:** **US D444,443 S**

(45) **Date of Patent:** **** Jul. 3, 2001**

(54) **HELICOPTER DRIP PAN**

4,677,947 * 7/1987 Bousquet 184/106
6,112,856 * 9/2000 Wilson 184/106

(76) Inventors: **Thomas Gray Wilson**, 359 Rice Hill School Rd., McKee, KY (US) 40447;
Joel R. Pitlor, 19 Chalk St., Cambri, MA (US) 02139; **Nelson Pitlor**, 9796 Ridgewood Dr., Twinsburg, OH (US) 44087

* cited by examiner

Primary Examiner—Kay H. Chin
(74) *Attorney, Agent, or Firm*—Wood, Herron & Evans L.L.P.

(**) Term: **14 Years**

(57) **CLAIM**

The ornamental design for a helicopter drip pan, as shown and described.

(21) Appl. No.: **29/120,585**

(22) Filed: **Mar. 22, 2000**

DESCRIPTION

(51) **LOC (7) Cl.** **12-07**

(52) **U.S. Cl.** **D12/345; D12/317**

(58) **Field of Search** D12/345, 317;
184/106; 180/69.1; 206/223; 220/1 C; D15/150,
152; D23/200

FIG. 1 is a top elevational view of a helicopter drip pan embodying the new design.

FIG. 2 is a front elevational view thereof.

FIG. 3 is a left side elevational view thereof.

FIG. 4 is a right side elevational view thereof.

FIG. 5 is a rear elevational view thereof.

FIG. 6 is a bottom elevational view thereof; and,

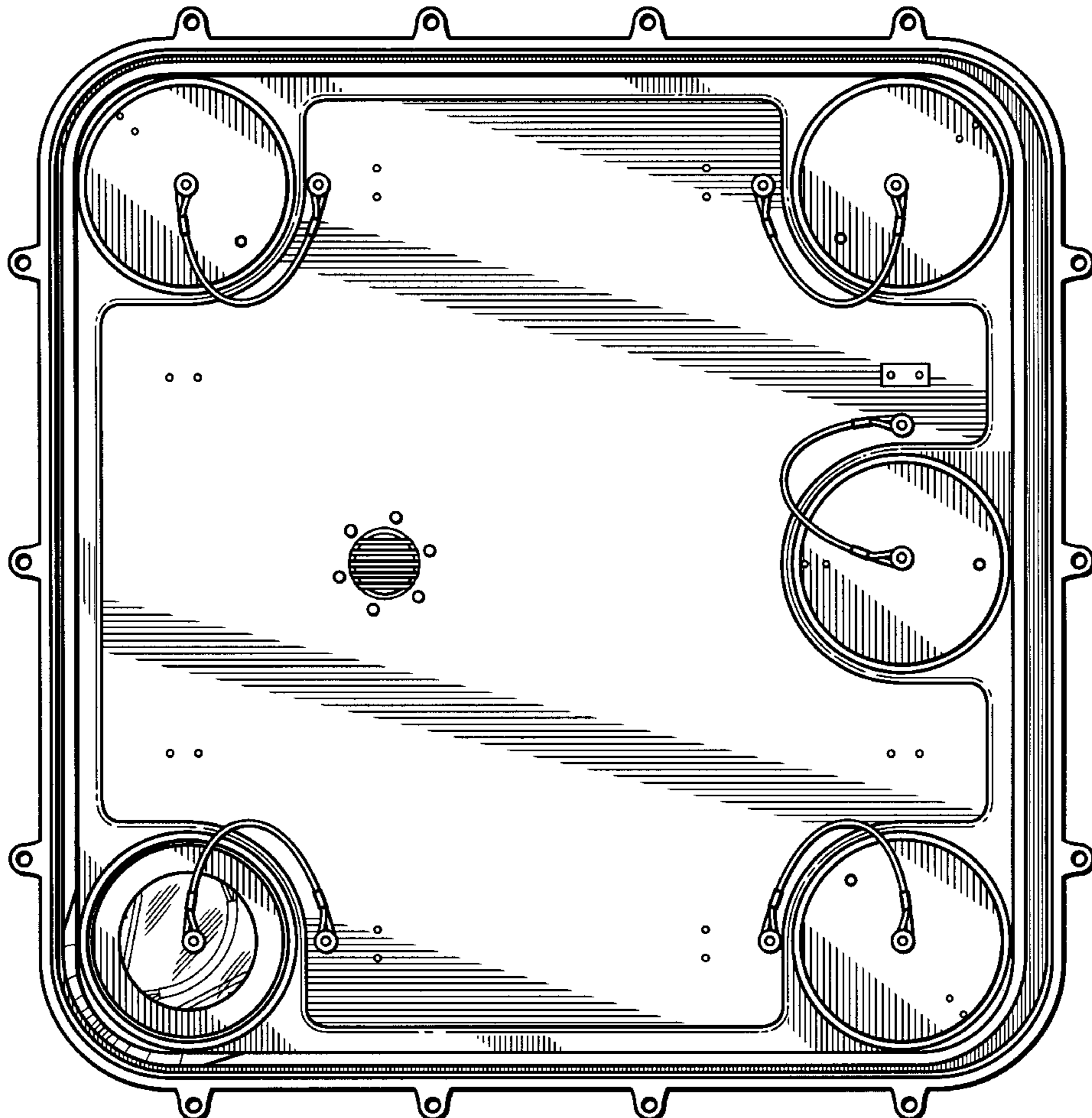
FIG. 7 is a partial cross-sectional view taken on line 7—7 of FIG. 6.

(56) **References Cited**

U.S. PATENT DOCUMENTS

4,671,024 * 6/1987 Schumacher 184/106
4,673,081 * 6/1987 Habig et al. 206/223

1 Claim, 4 Drawing Sheets



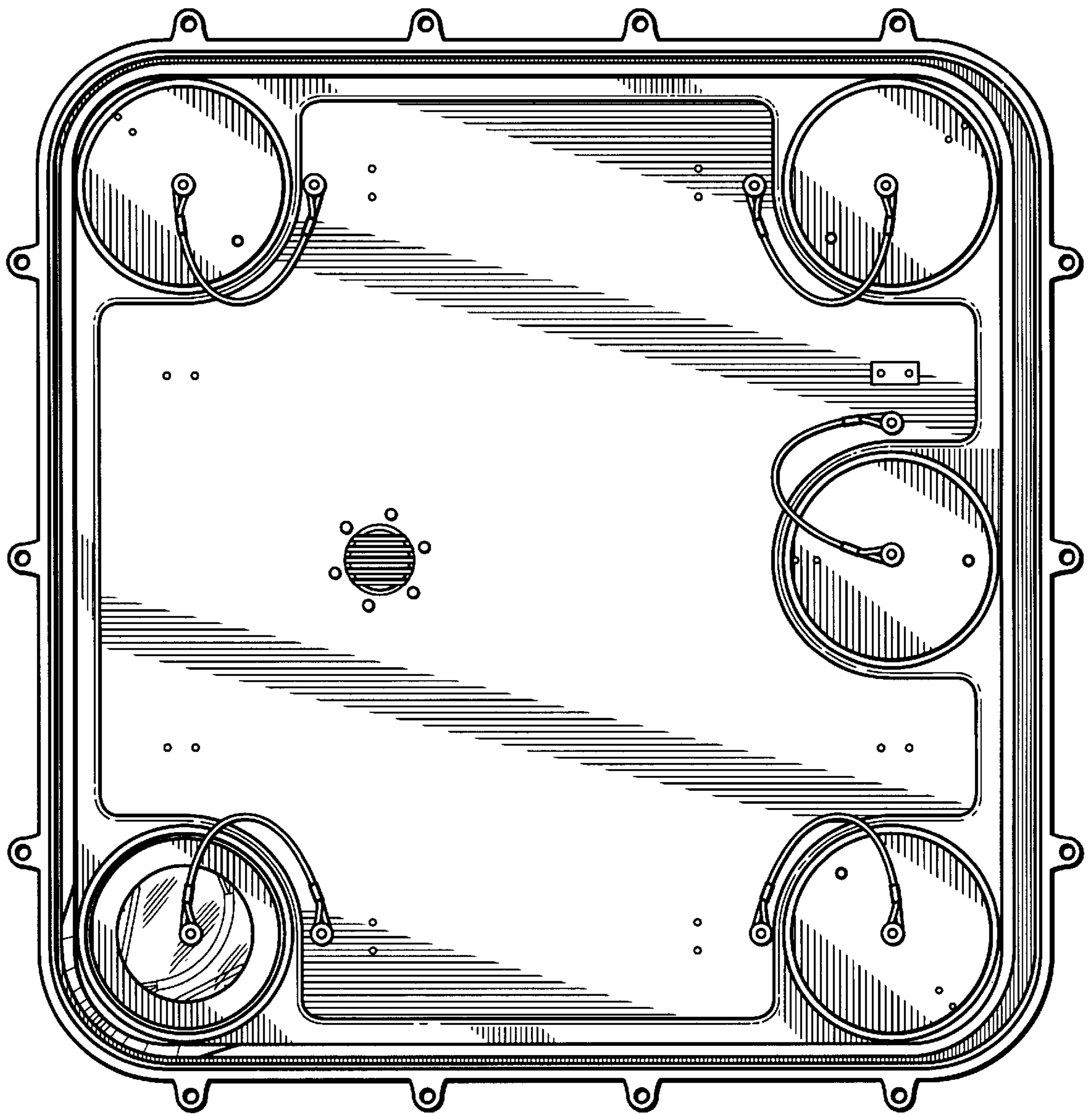


FIG. 1

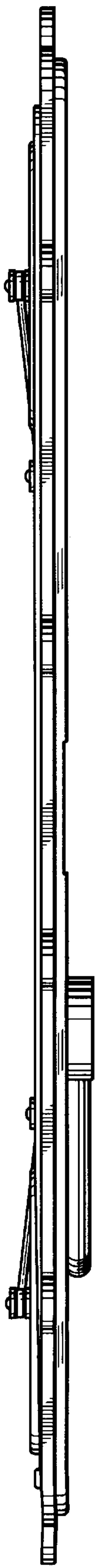


FIG. 2

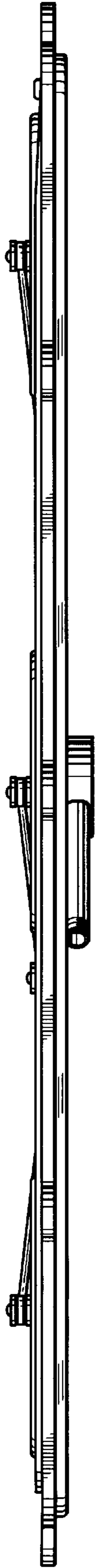


FIG. 3

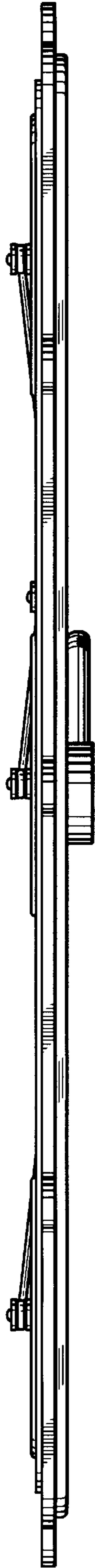


FIG. 4

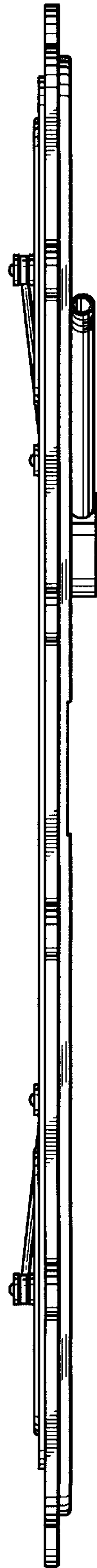


FIG. 5

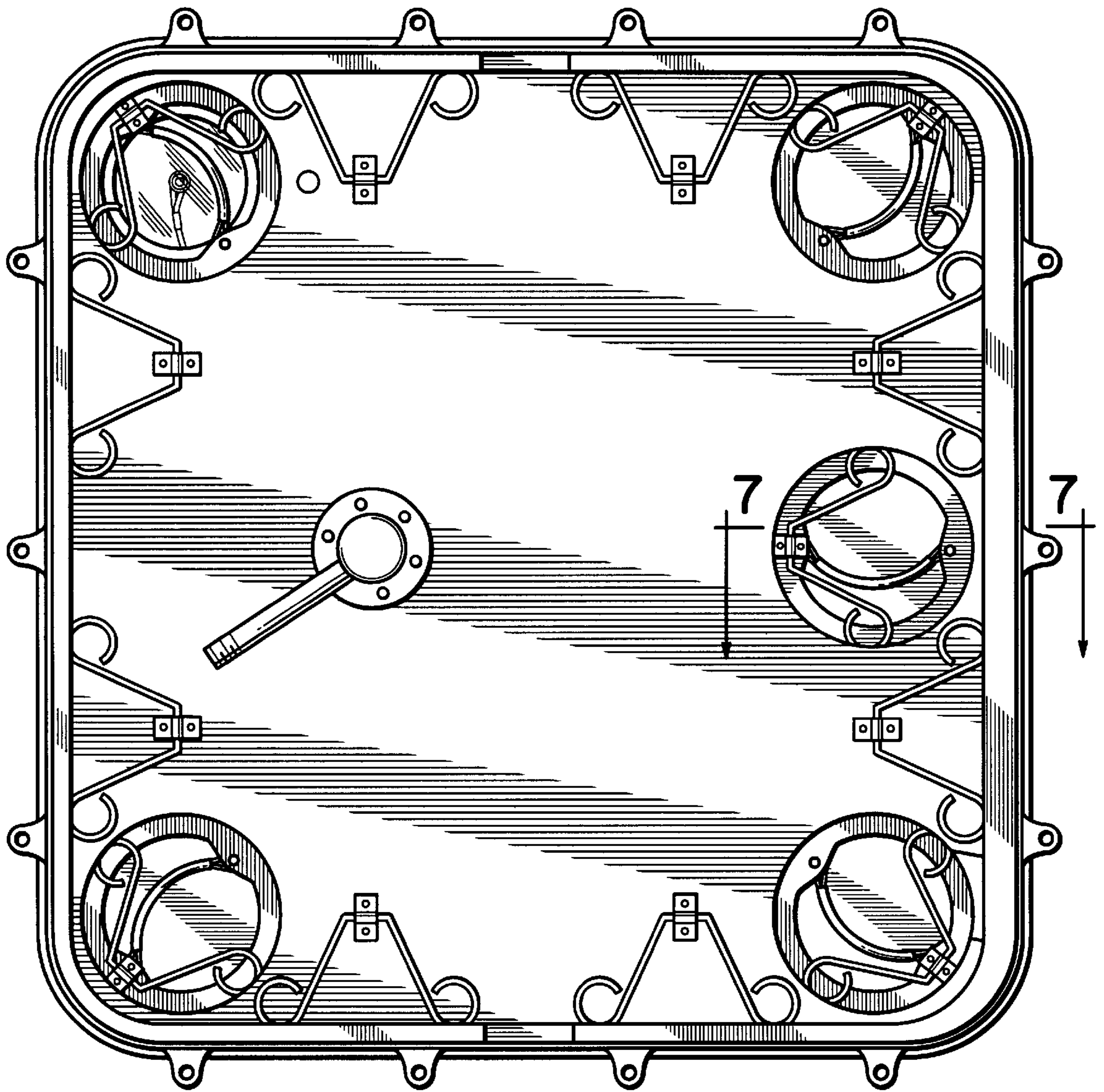


FIG. 6

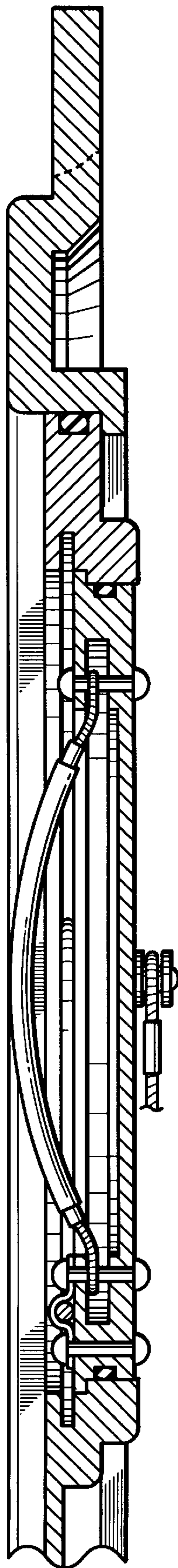


FIG. 7