



US00D444441S

(12) **United States Design Patent**
Bennett, Jr.

(10) **Patent No.:** **US D444,441 S**

(45) **Date of Patent:** **** Jul. 3, 2001**

(54) **WHEEL CHOCK**

(76) Inventor: **Jules G. Bennett, Jr.**, 640 Bailey Rd.,
El Paso, TX (US) 79932

(**) Term: **14 Years**

(21) Appl. No.: **29/112,477**

(22) Filed: **Oct. 19, 1999**

(51) **LOC (7) Cl.** **12-06**

(52) **U.S. Cl.** **D12/217**

(58) **Field of Search** D6/495; D8/374,
D8/350, 353, 331, 343, 346, 349, 354,
380; D12/114, 120, 217; 248/346.01, 346.11;
188/4 R, 32, 36; 280/293

(56) **References Cited**

U.S. PATENT DOCUMENTS

1,101,883	6/1914	Rochford .	
1,861,095	* 5/1932	Schacht	248/346.11
2,224,266	* 12/1940	Leheny	248/346.11
2,787,085	4/1957	Auer .	
2,844,909	7/1958	Perchinsky .	
2,915,850	12/1959	Goodfellow .	
2,931,463	4/1960	Stansbury .	

3,126,666	3/1964	Petersen .
4,120,384	10/1978	Choy .
5,046,587	9/1991	Jones .
5,383,639	1/1995	Byard .
5,687,516	11/1997	Sheehan et al. .

* cited by examiner

Primary Examiner—Doris V. Coles

Assistant Examiner—T. Chase Nelson

(74) *Attorney, Agent, or Firm*—Shlesinger, Arkwright &
Garvey LLP

(57) **CLAIM**

The ornamental design for a wheel chock, as shown and described.

DESCRIPTION

FIG. 1 is a top perspective view of a wheel chock showing my new design;

FIG. 2 is a bottom perspective view of FIG. 1;

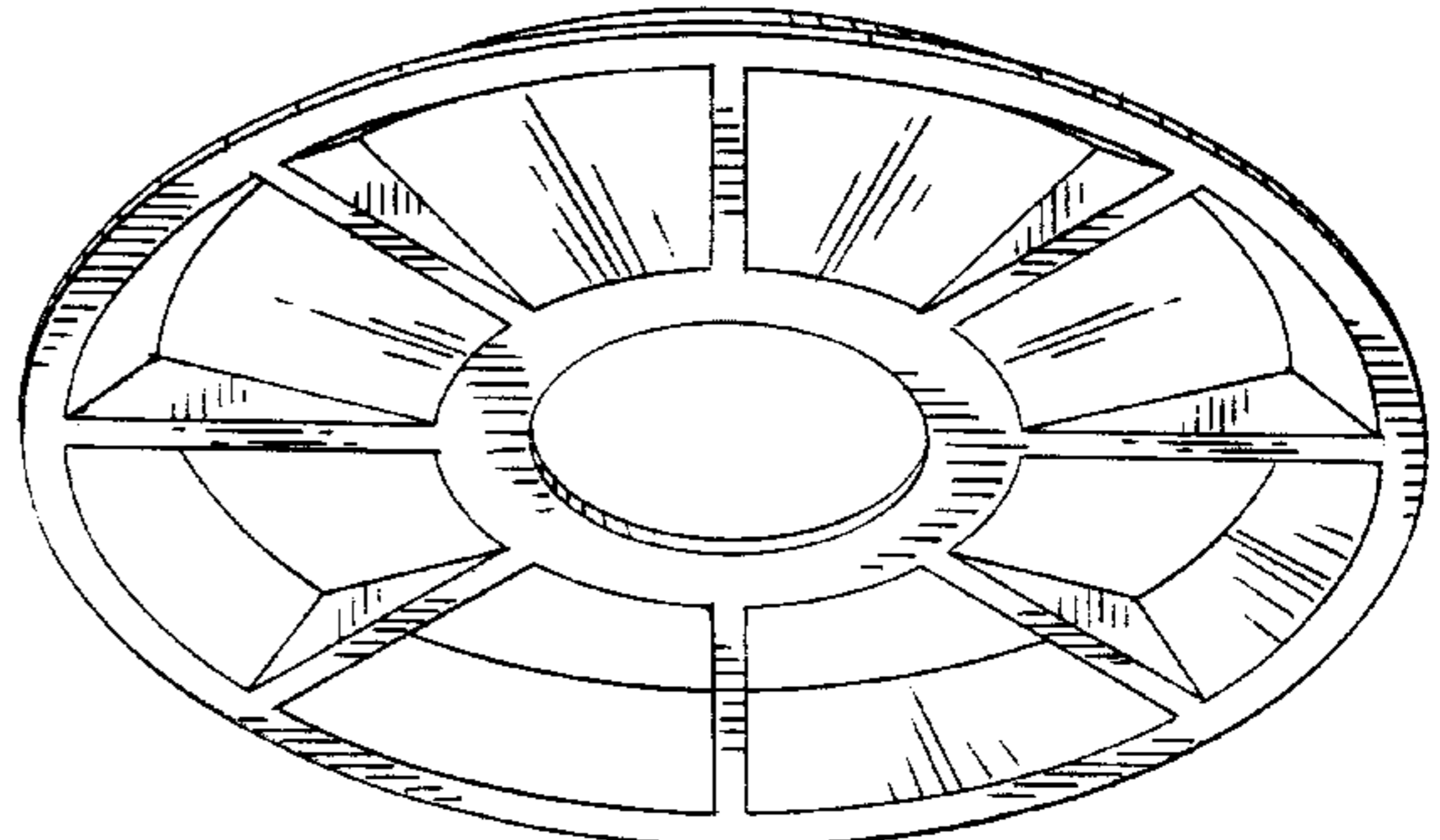
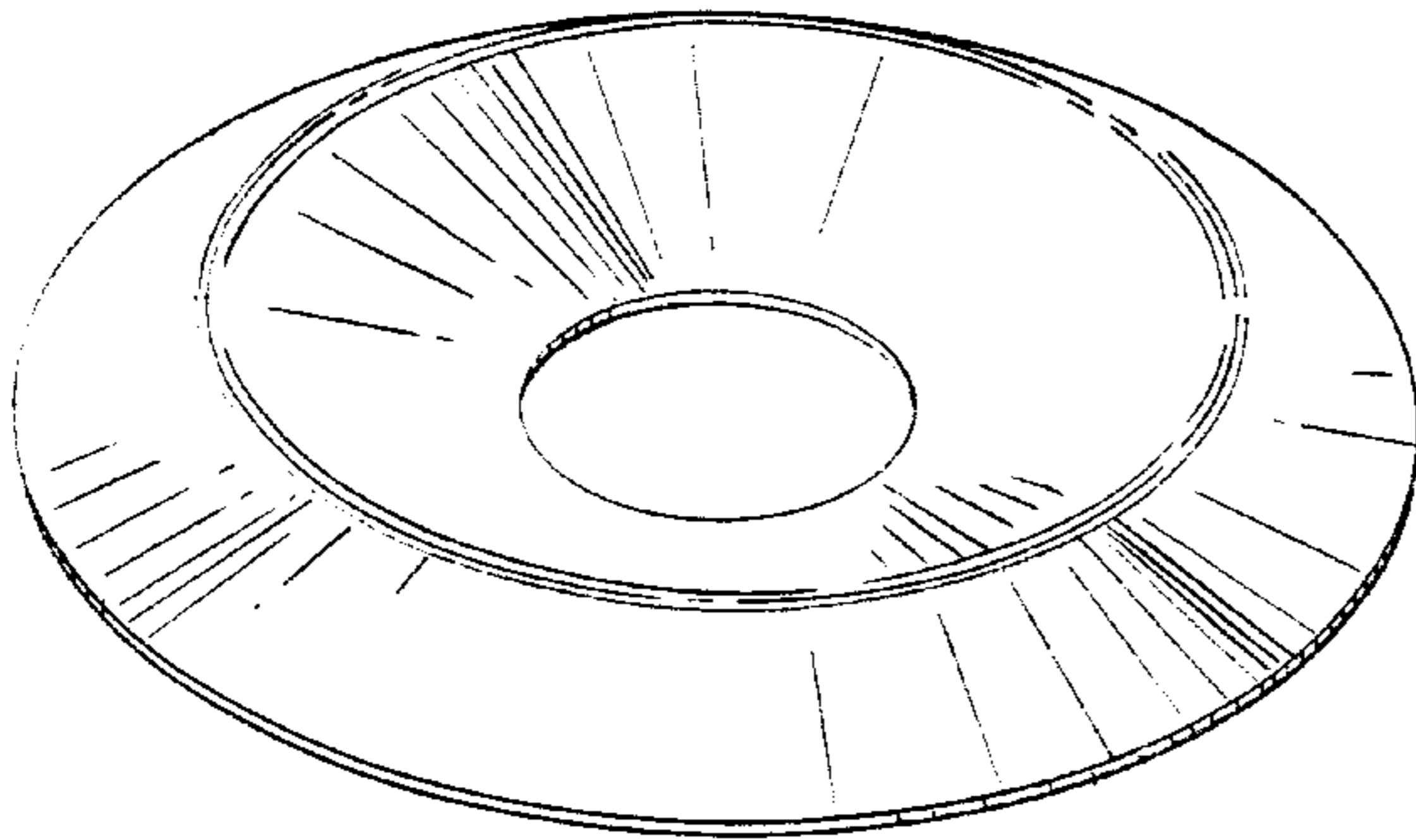
FIG. 3 is a top plan view of FIG. 1;

FIG. 4 is a bottom plan view of FIG. 2;

FIG. 5 is a side elevational view of FIG. 1; and,

FIG. 6 is a cross-sectional view taken along lines 6—6 of FIG. 3.

1 Claim, 2 Drawing Sheets



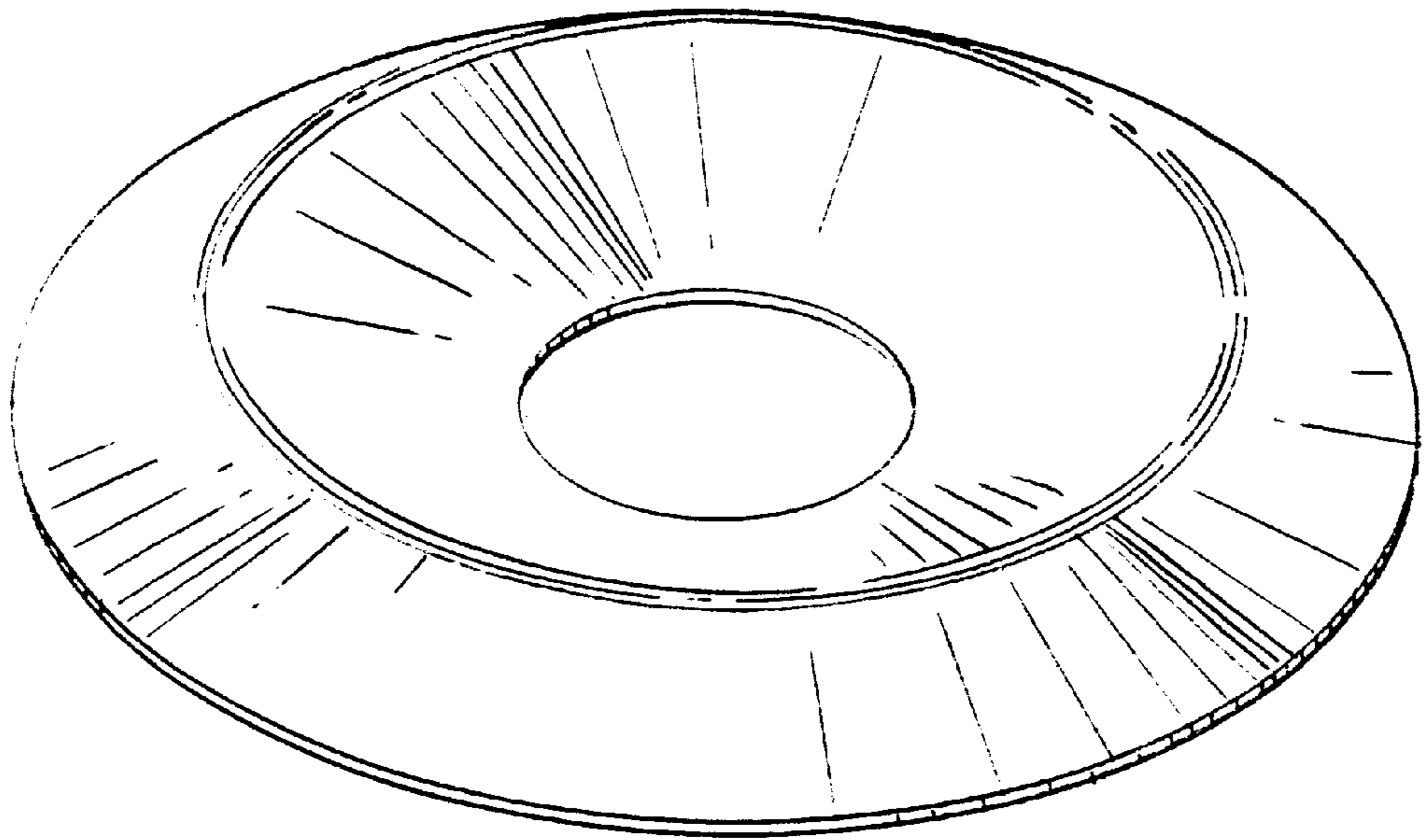


FIG. 1

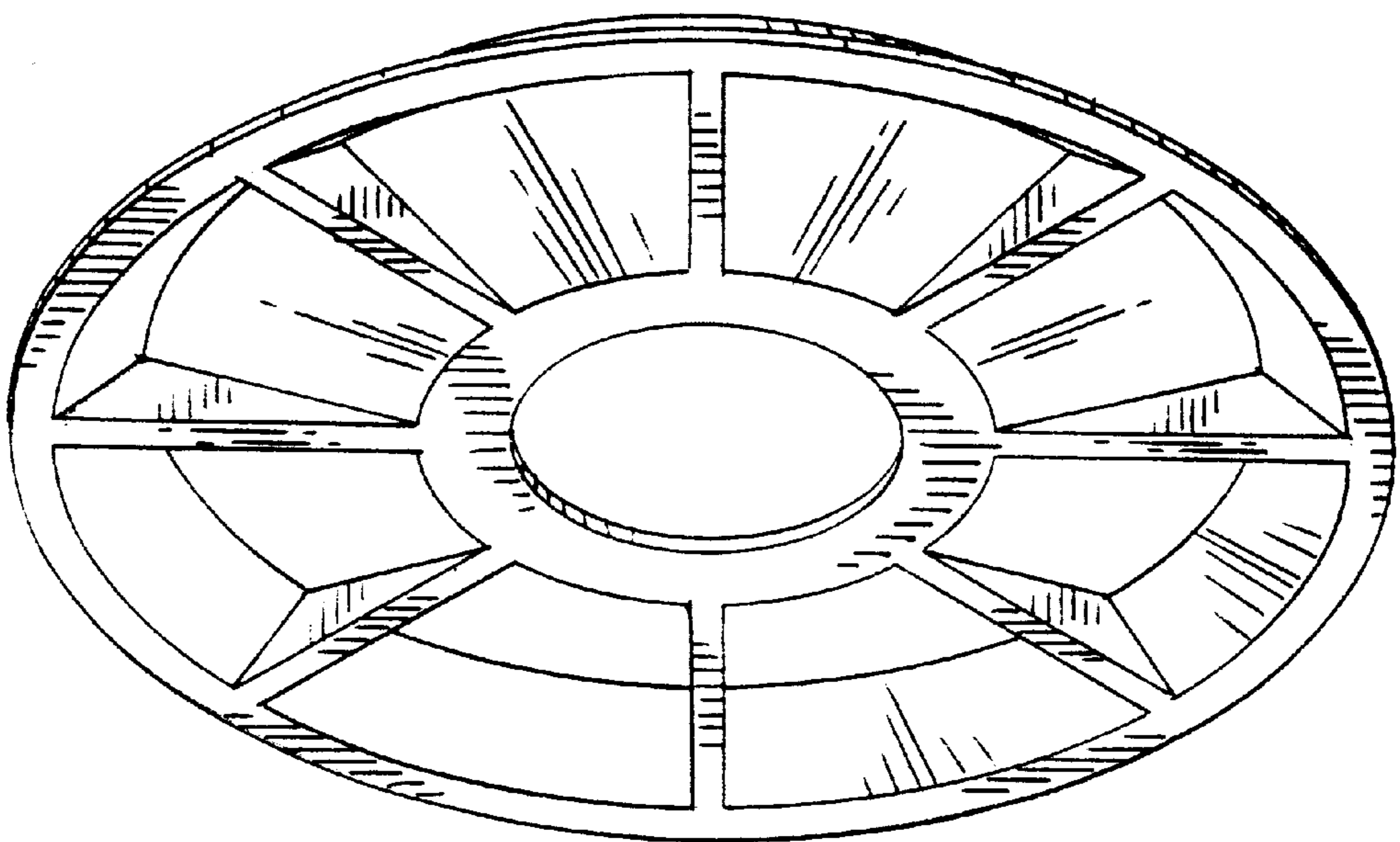


FIG. 2

