



US00D444440S

(12) **United States Design Patent**  
**Peabody**

(10) **Patent No.:** **US D444,440 S**

(45) **Date of Patent:** **\*\* Jul. 3, 2001**

(54) **ANCHOR**

(76) **Inventor:** **Andrew L. Peabody**, P.O. Box 2120,  
Natches, MS (US) 39121

(\*\*) **Term:** **14 Years**

(21) **Appl. No.:** **29/105,992**

(22) **Filed:** **Jun. 8, 1999**

(51) **LOC (7) Cl.** ..... **12-06**

(52) **U.S. Cl.** ..... **D12/215**

(58) **Field of Search** ..... D12/215; 114/294,  
114/301-306

(56) **References Cited**

**U.S. PATENT DOCUMENTS**

D. 347,206	*	5/1994	Smith	.....	D12/215
4,706,595	*	11/1987	Van Den Haak	.....	114/301
4,781,142	*	11/1988	Cheung	.....	114/304
5,133,277	*	7/1992	Peabody	.....	114/294

5,353,732	*	10/1994	Gramet et al.	.....	114/304
6,082,284	*	7/2000	McCabe	.....	114/301

\* cited by examiner

*Primary Examiner*—Kay H. Chin

(74) *Attorney, Agent, or Firm*—Carroll F. Palmer

(57) **CLAIM**

The ornamental design for an anchor, as shown and described

**DESCRIPTION**

FIG. 1 is a front perspective view of the anchor showing my new design.

FIG. 2 is a top plan view of the anchor.

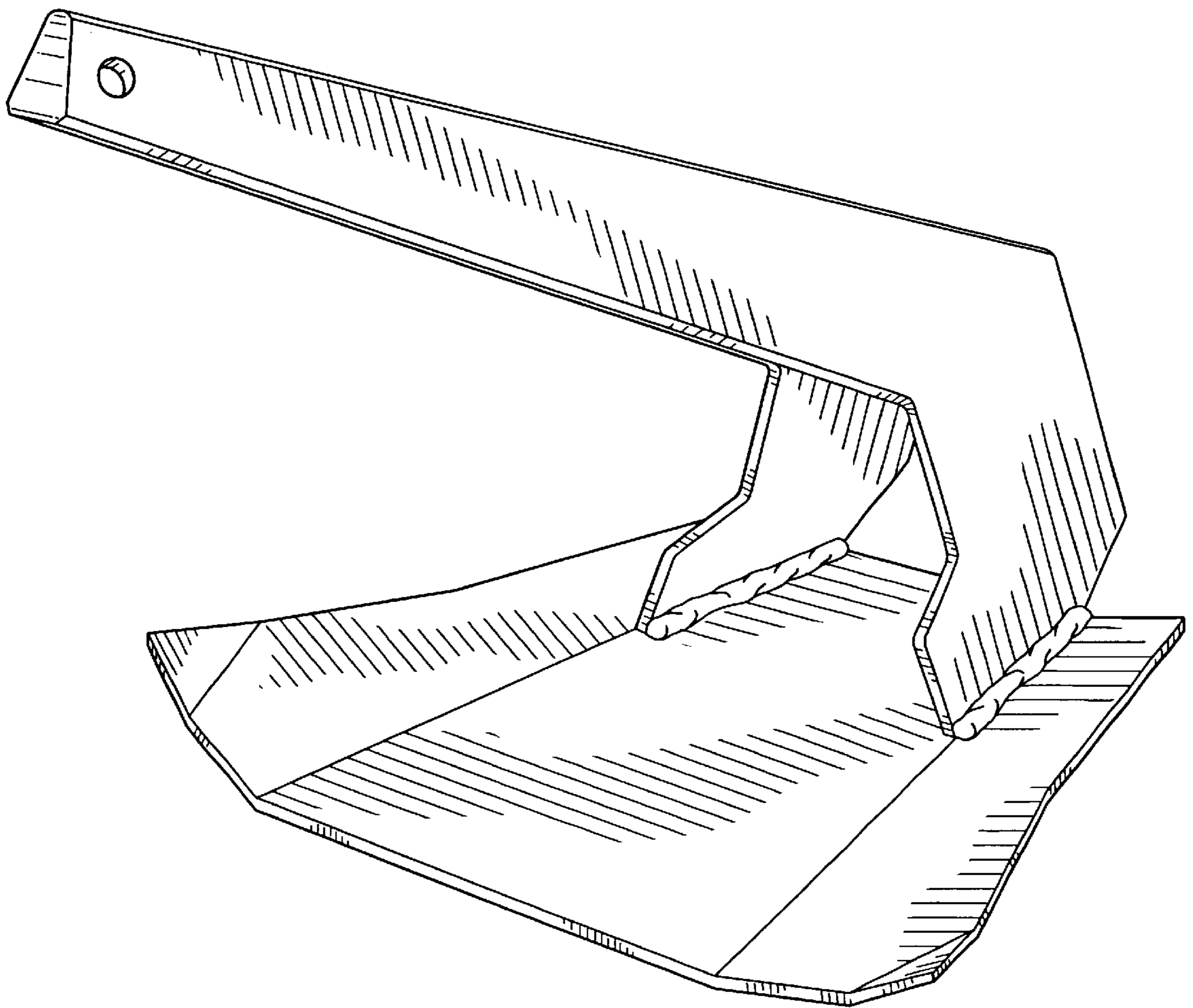
FIG. 3 is a left side elevation of the anchor.

FIG. 4 is a front elevation view of the anchor.

FIG. 5 is a rear elevation view of the anchor; and,

FIG. 6 is a bottom plan view of the anchor.

**1 Claim, 4 Drawing Sheets**



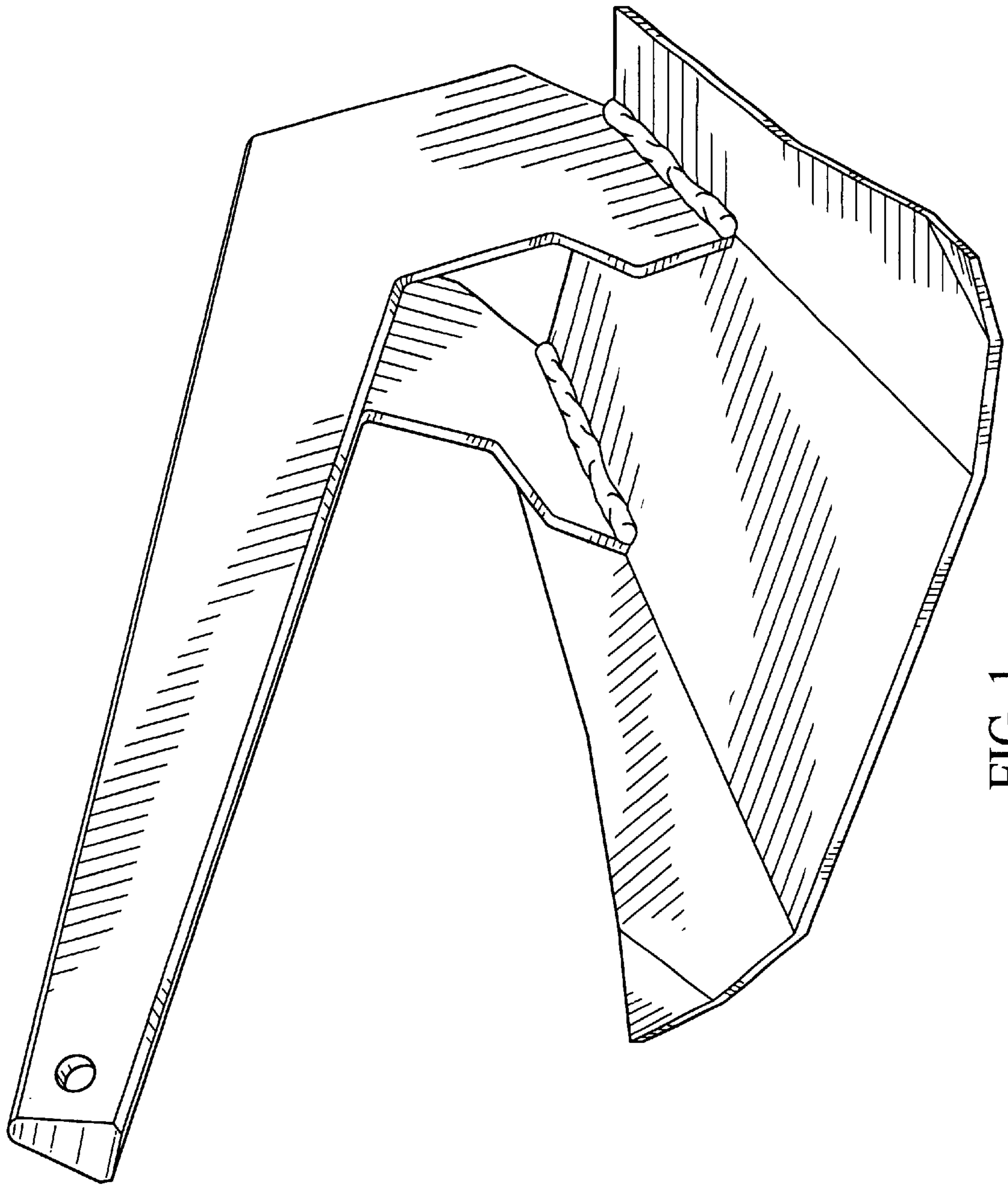


FIG. 1

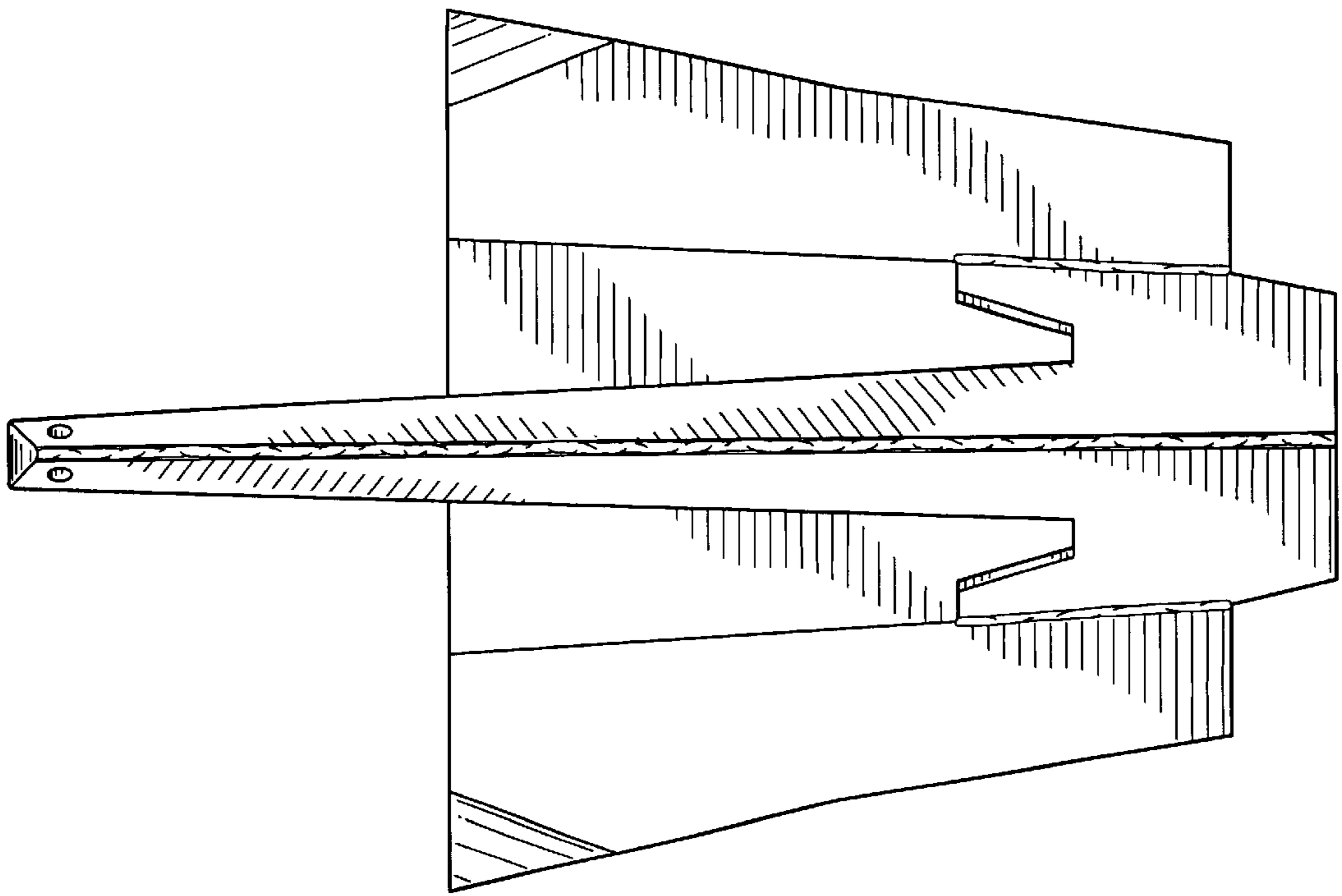


FIG. 2

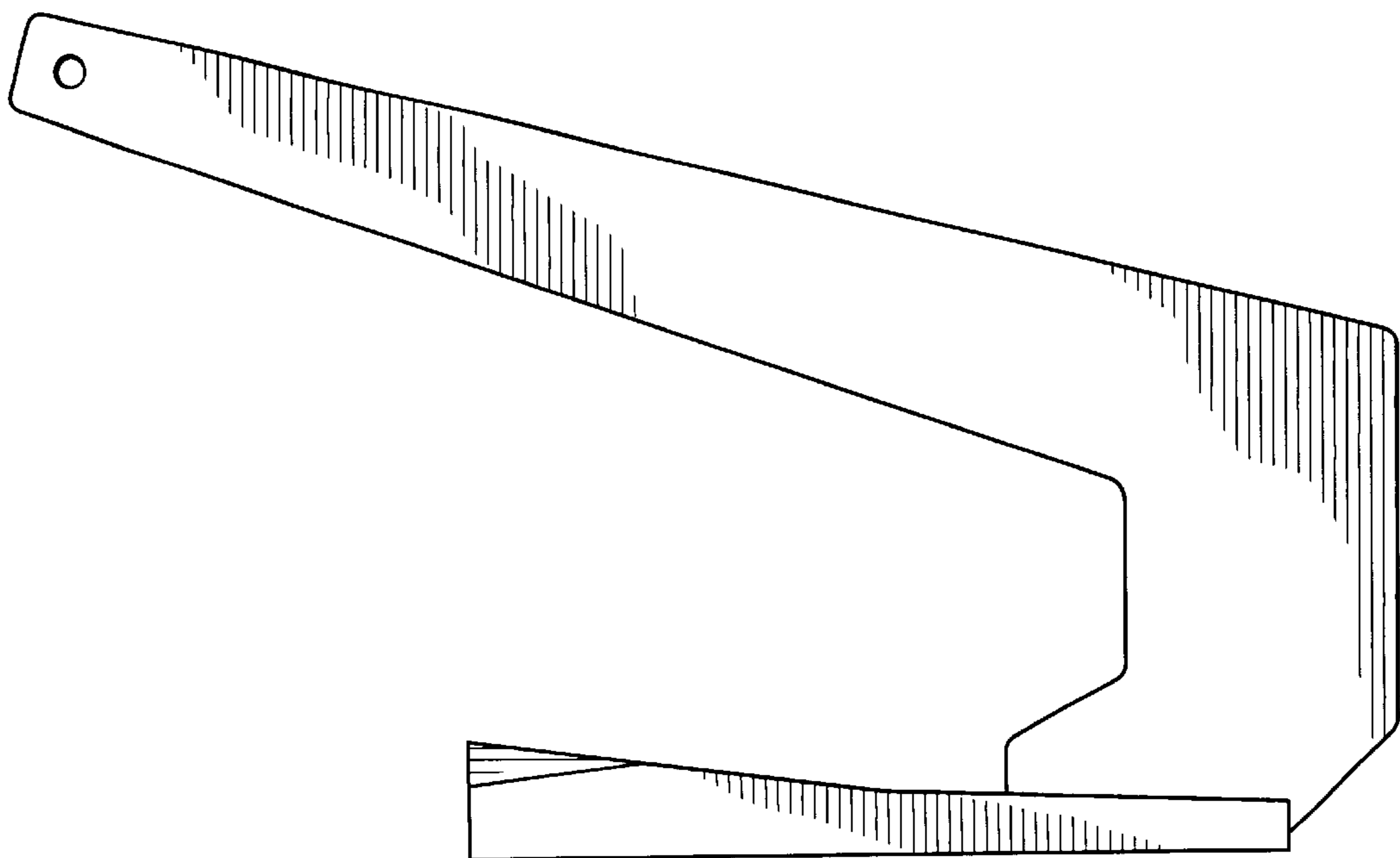


FIG. 3

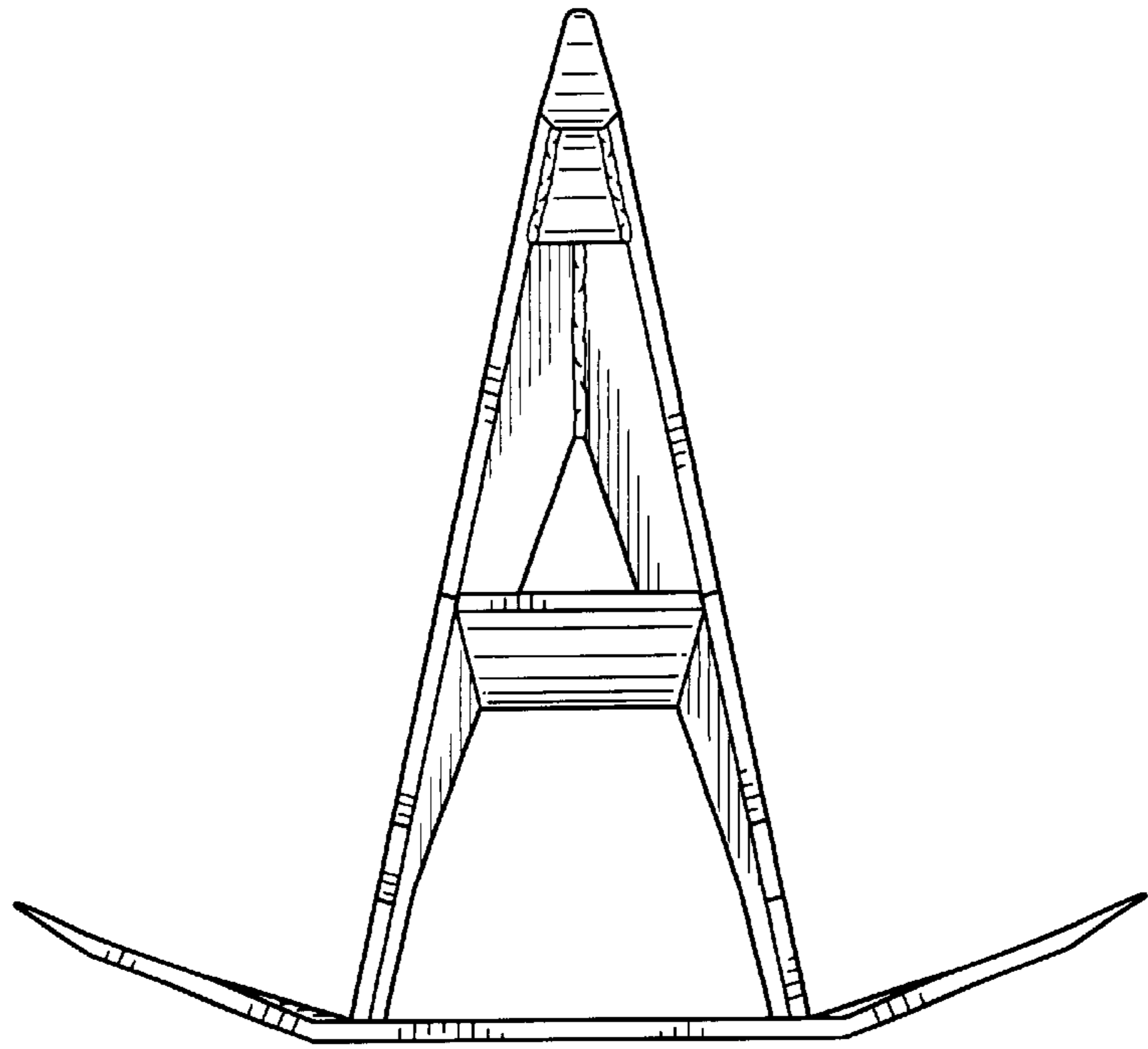


FIG. 4

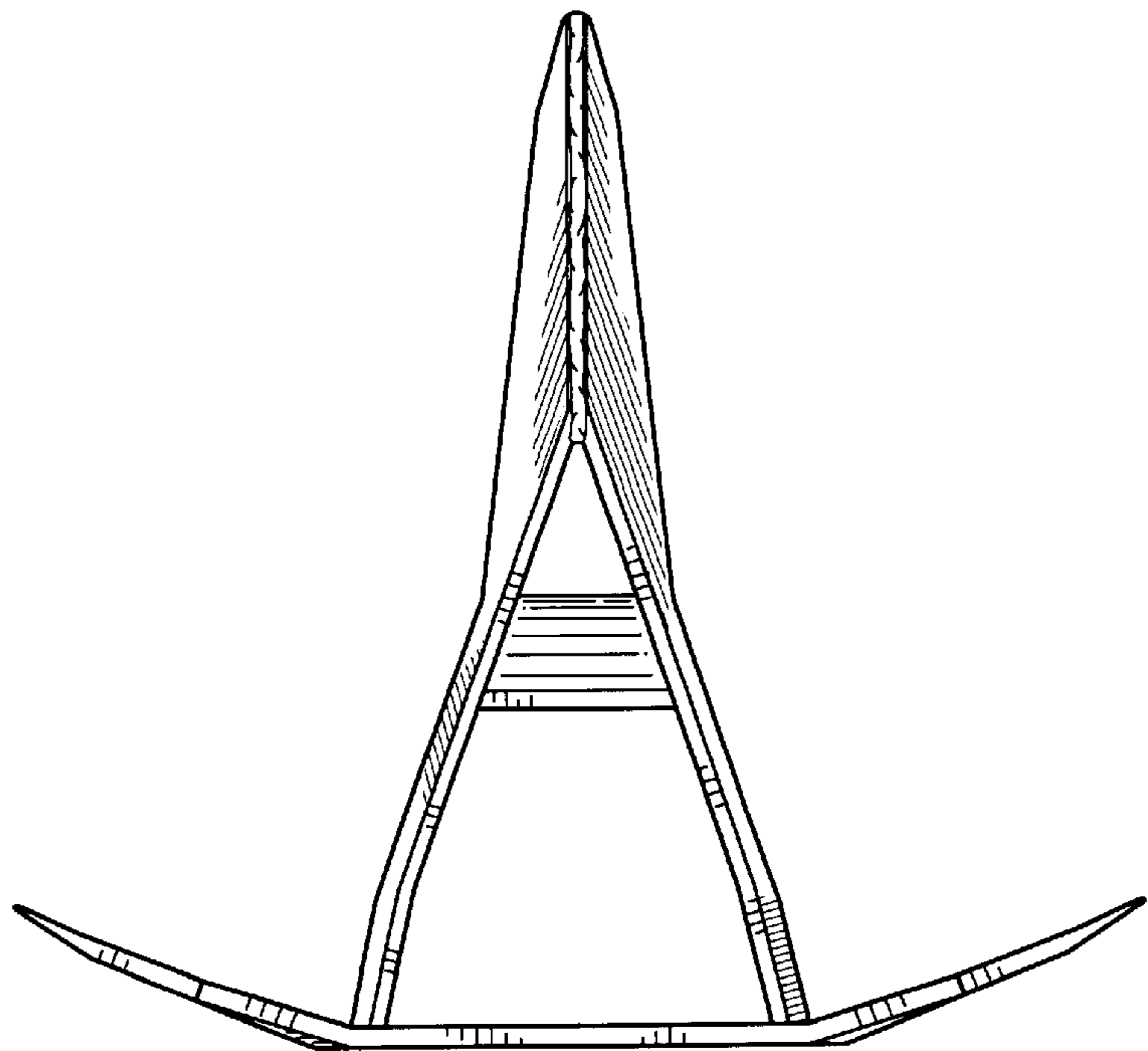


FIG. 5

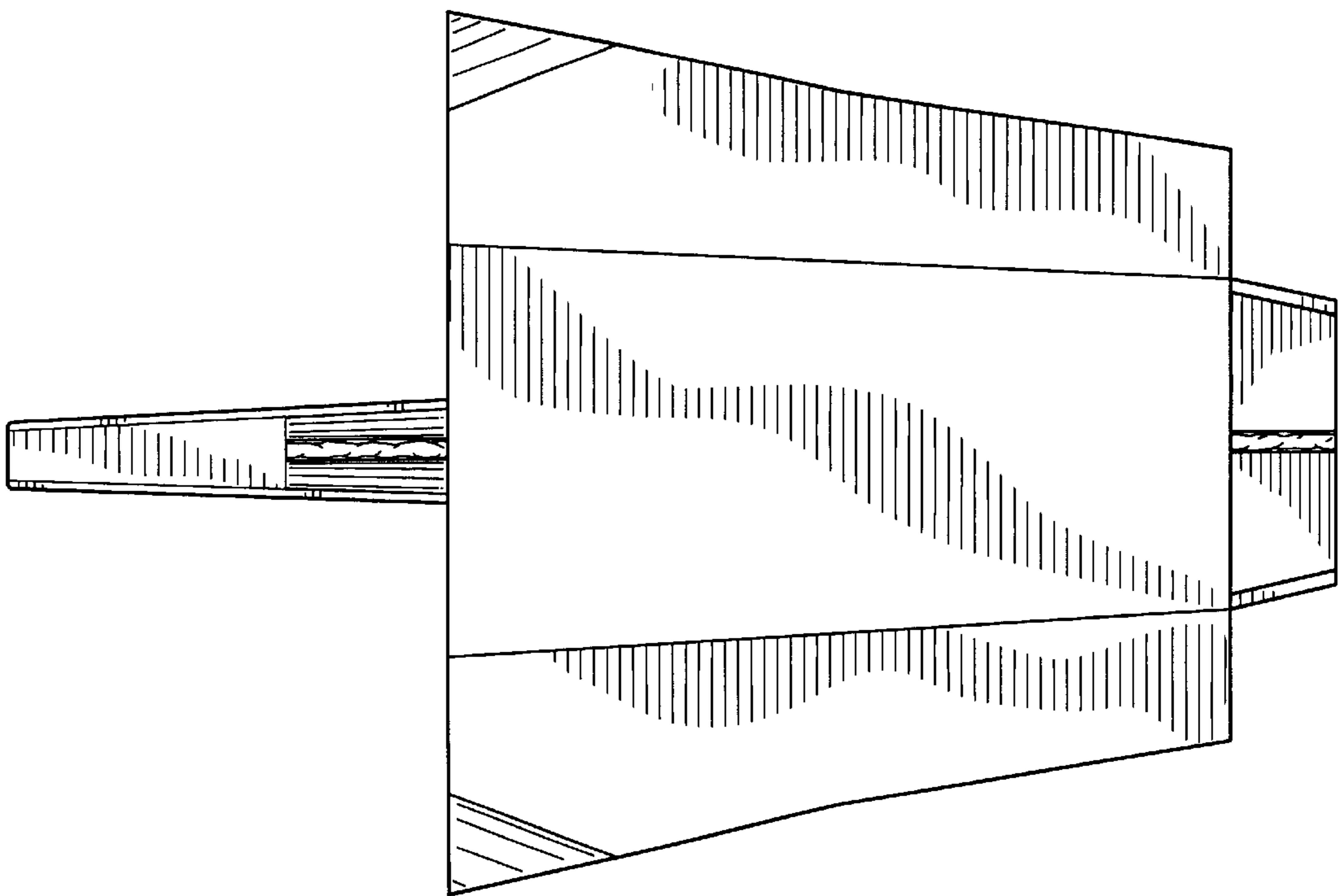


FIG. 6