



US00D444439S

(12) **United States Design Patent**
Cullen

(10) **Patent No.:** **US D444,439 S**

(45) **Date of Patent:** **** Jul. 3, 2001**

(54) **VEHICLE-WHEEL FRONT FACE**

(75) **Inventor:** **Murray S. Cullen, Irvine, CA (US)**

(73) **Assignee:** **Mobile Hi-Tech Wheels, Torrance, CA (US)**

(**) **Term:** **14 Years**

(21) **Appl. No.:** **29/128,520**

(22) **Filed:** **Aug. 24, 2000**

(51) **LOC (7) Cl.** **12-16**

(52) **U.S. Cl.** **D12/211**

(58) **Field of Search** **D12/204-211;**
301/37.1, 64.1, 65

(56) **References Cited**

U.S. PATENT DOCUMENTS

D. 385,837	*	11/1997	Muller	D12/209
D. 386,139	*	11/1997	Cullen	D12/209
D. 402,252	*	12/1998	Kulla	D12/211
D. 409,553	*	5/1999	Neeper	D12/211
D. 412,693	*	8/1999	Kulla	D12/211
D. 416,531	*	11/1999	Gabath	D12/209
D. 416,533	*	11/1999	Sulahian	D12/211
D. 419,517	*	1/2000	Sacco et al.	D12/211
D. 421,590	*	3/2000	Sacco et al.	D12/209
D. 422,257	*	4/2000	Pruden	D12/209
D. 432,069	*	10/2000	Chung	D12/209
D. 432,483	*	10/2000	Chung	D12/211

D. 432,972	*	10/2000	Chung	D12/209
D. 435,005	*	12/2000	Chung	D12/209
D. 435,823	*	1/2001	Fitzgerald	D12/211
D. 436,909	*	1/2001	Lotson	D12/209
D. 438,165	*	2/2001	Echazabal	D12/211
D. 438,834	*	3/2001	Ong	D12/211

* cited by examiner

Primary Examiner—Stacia Cadmus

(74) *Attorney, Agent, or Firm*—Christie, Parker & Hale, LLP

(57) **CLAIM**

The ornamental design for a vehicle-wheel front face, as shown and described.

DESCRIPTION

FIG. 1 is a perspective view of a vehicle-wheel front face according to my new design;
 FIG. 2 is a front elevational view thereof;
 FIG. 3 is a side elevational view thereof;
 FIG. 4 is a perspective view of a second embodiment of a vehicle-wheel front face of my design;
 FIG. 5 is a front elevational view of the second embodiment thereof; and,
 FIG. 6 is a side elevational view of the second embodiment. Portions of the wheel depicted in broken line are for illustrative purposes only, and form no part of the claimed design.

1 Claim, 6 Drawing Sheets

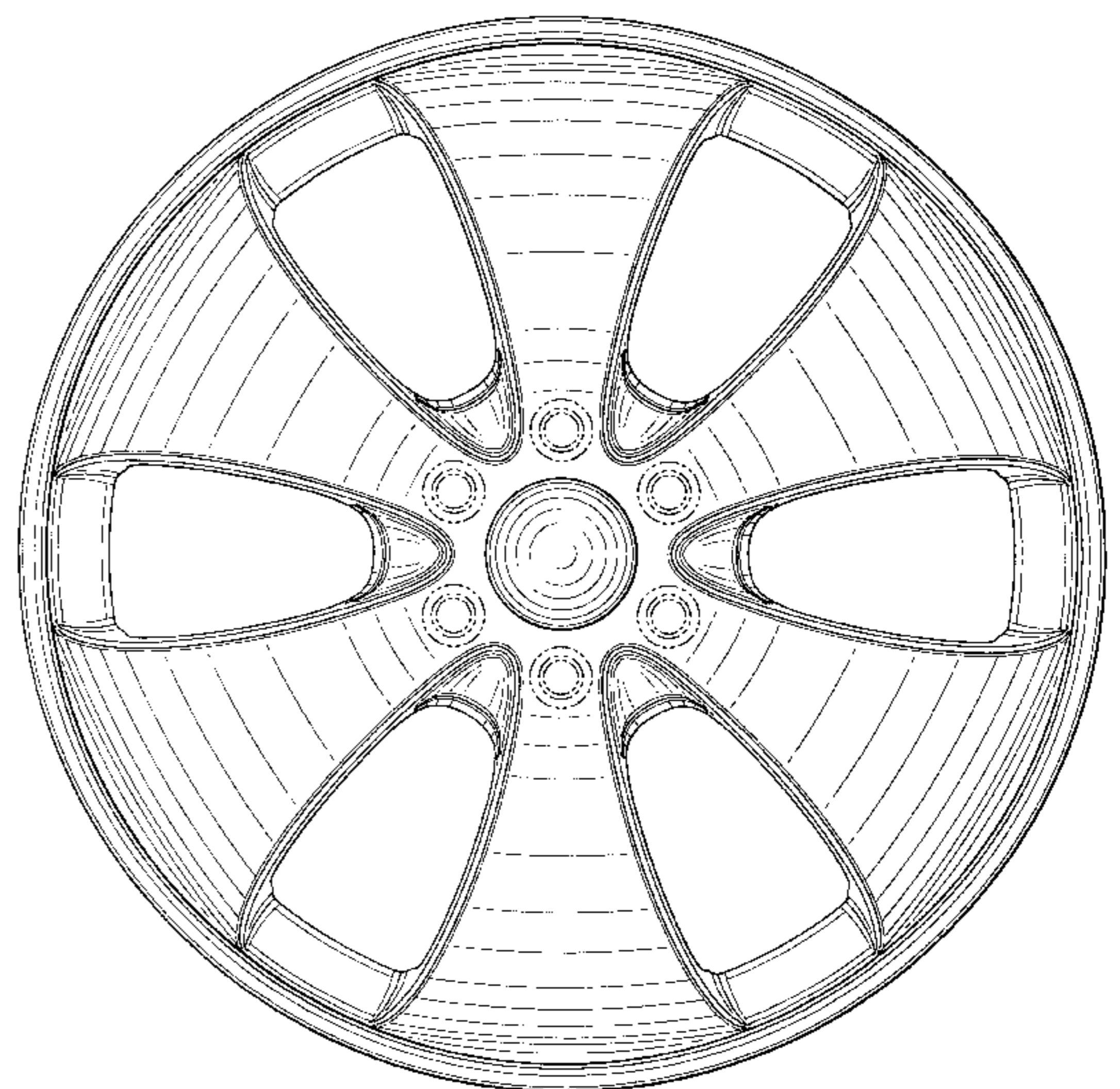
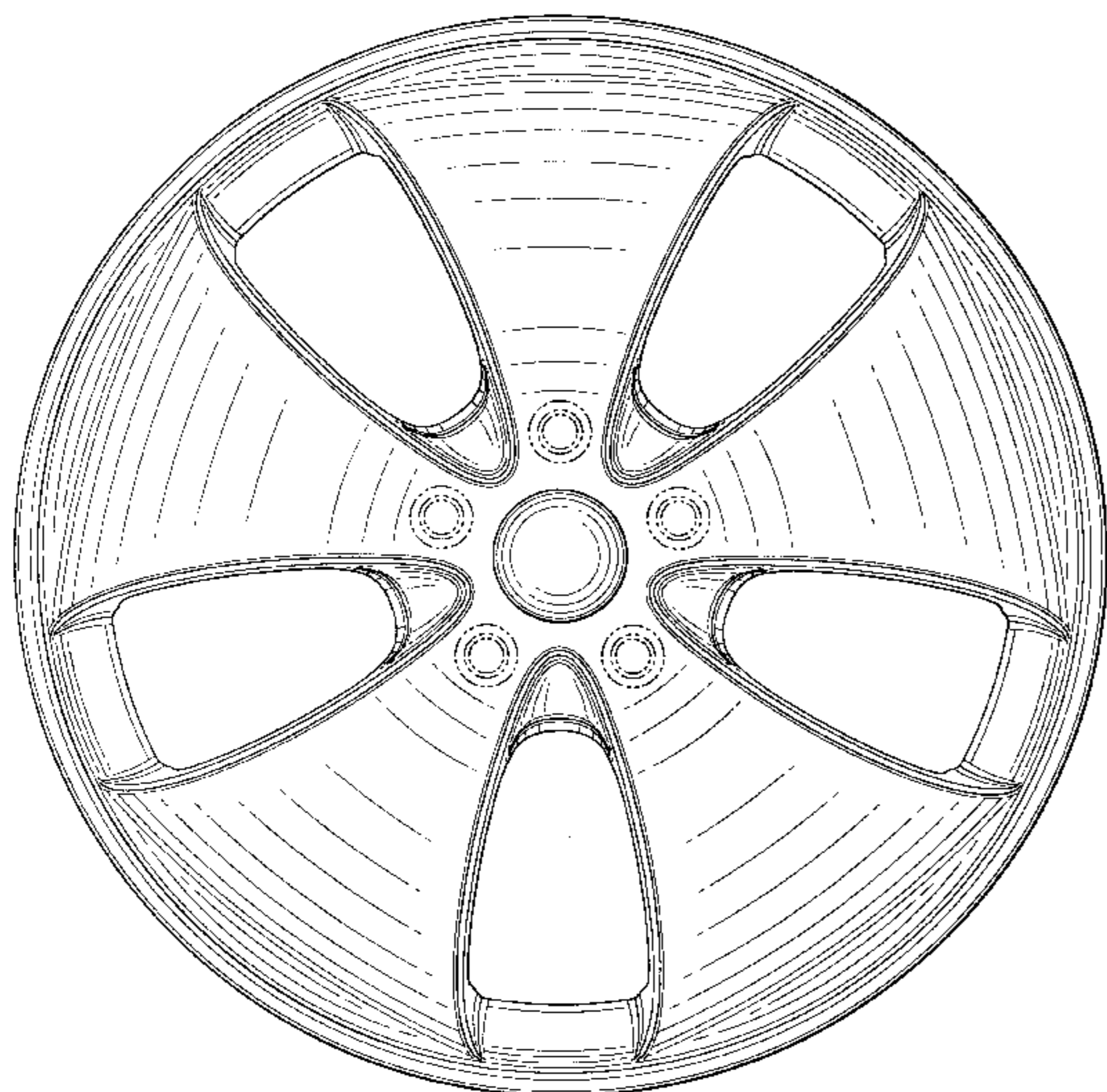


FIG. 1

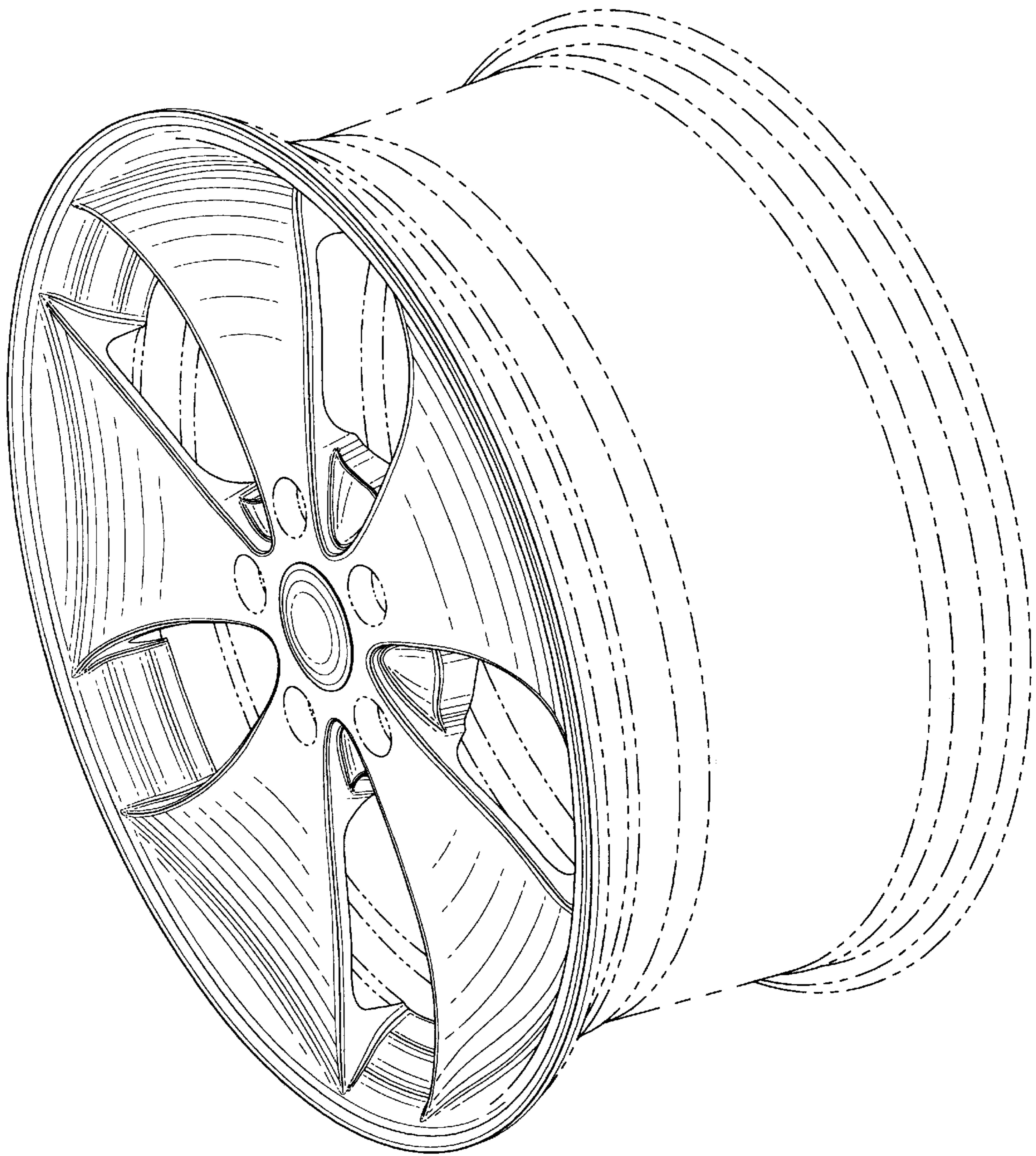


FIG. 2

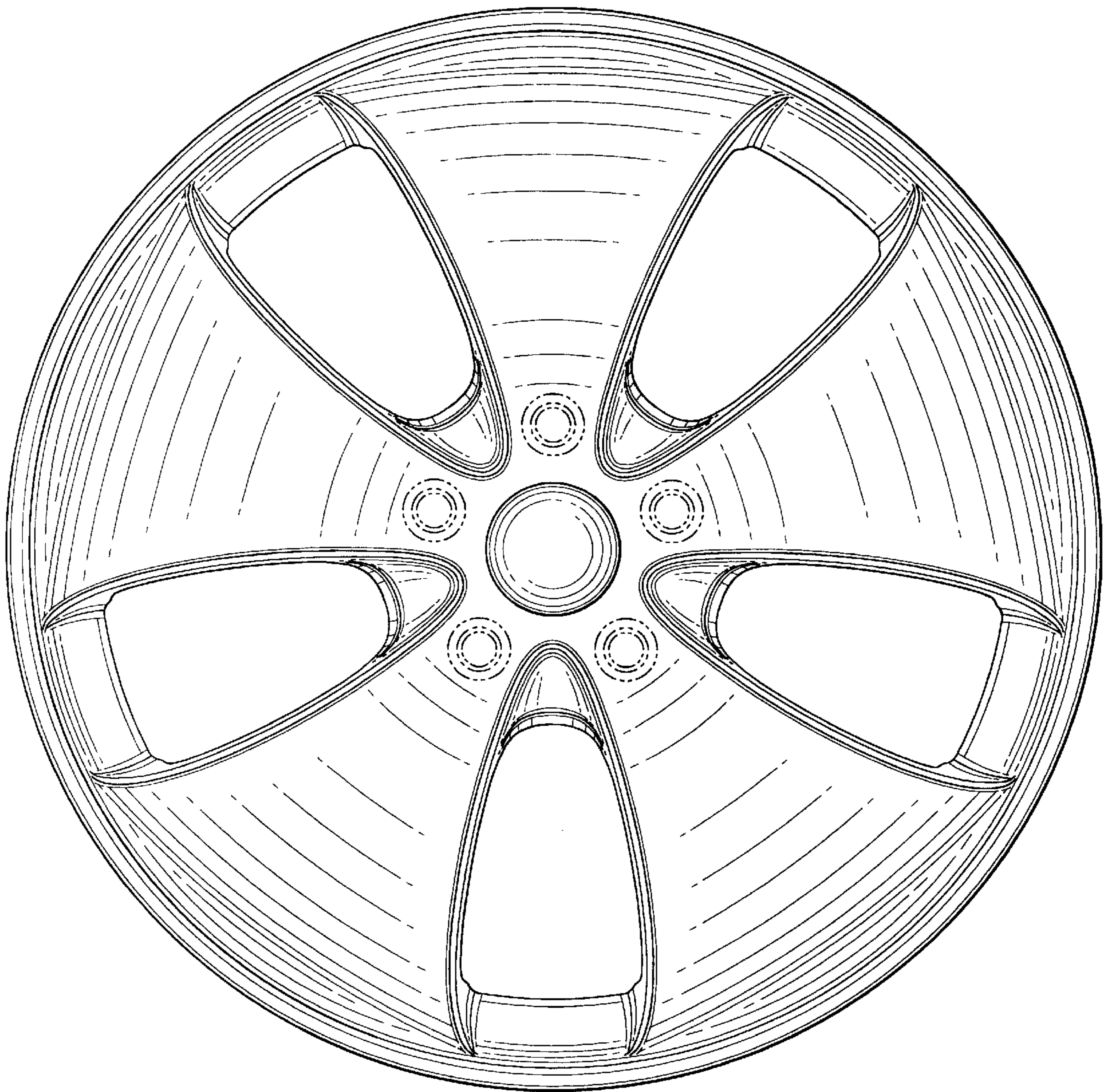


FIG. 3

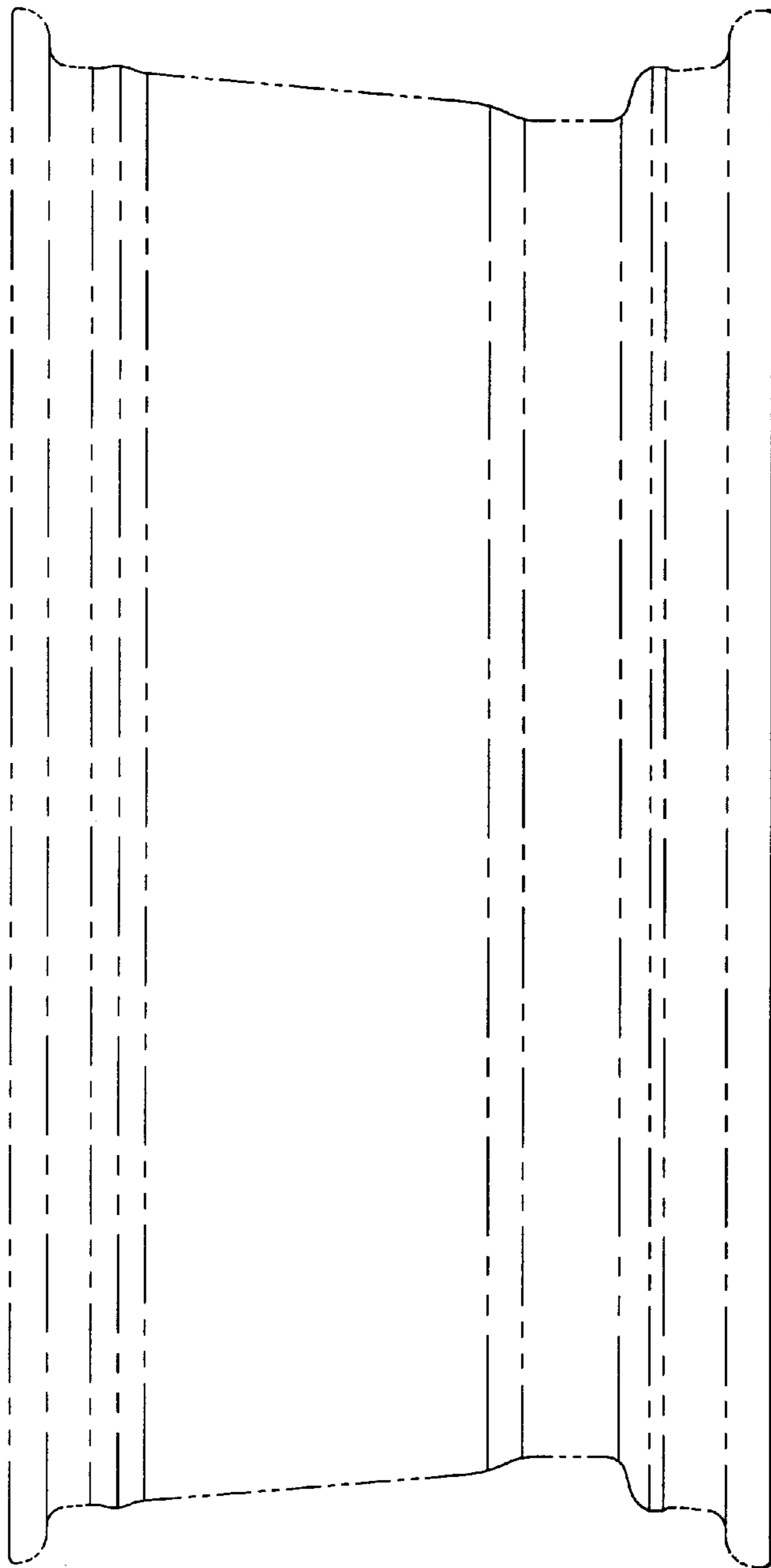


FIG. 4

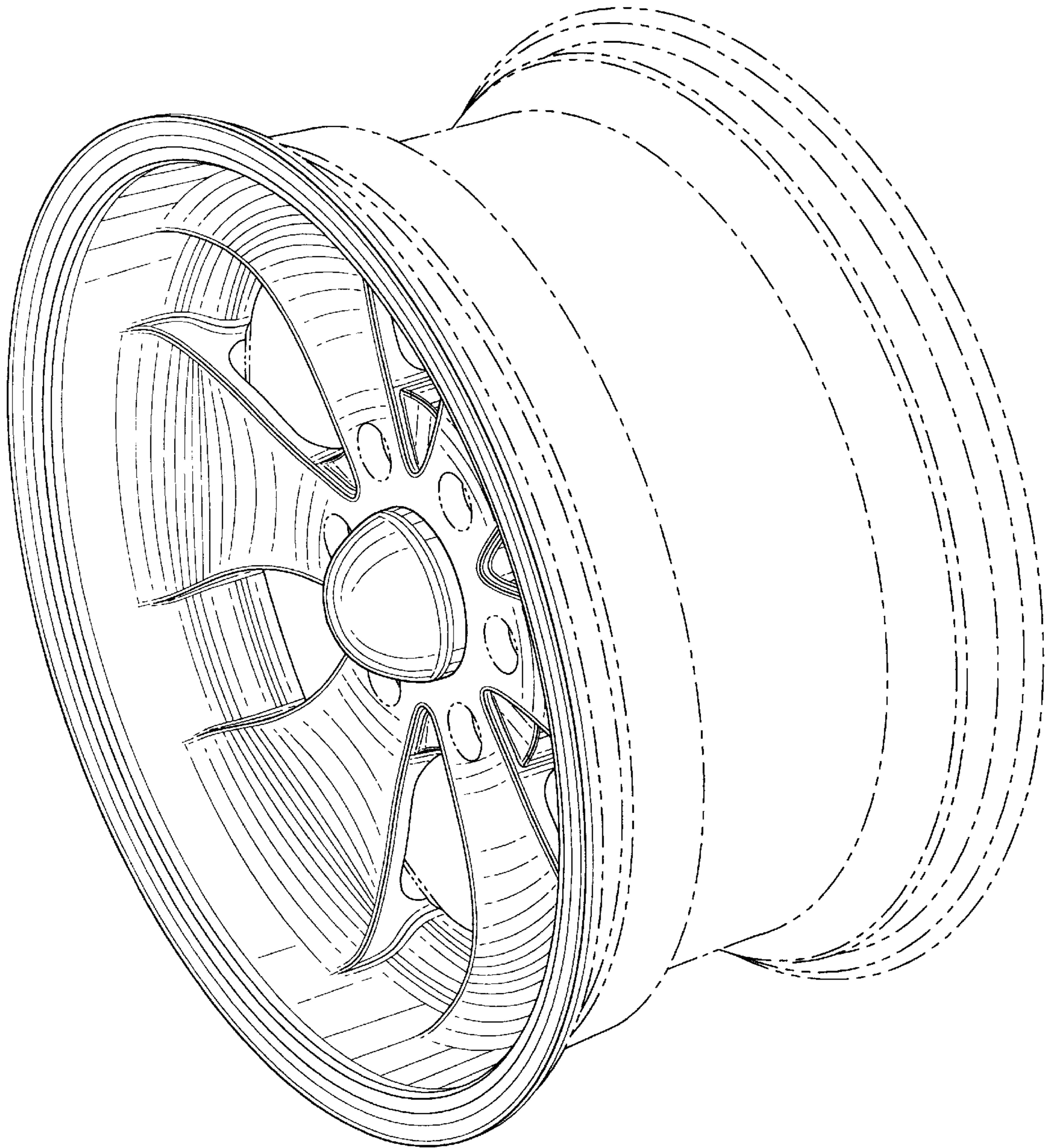


FIG. 5

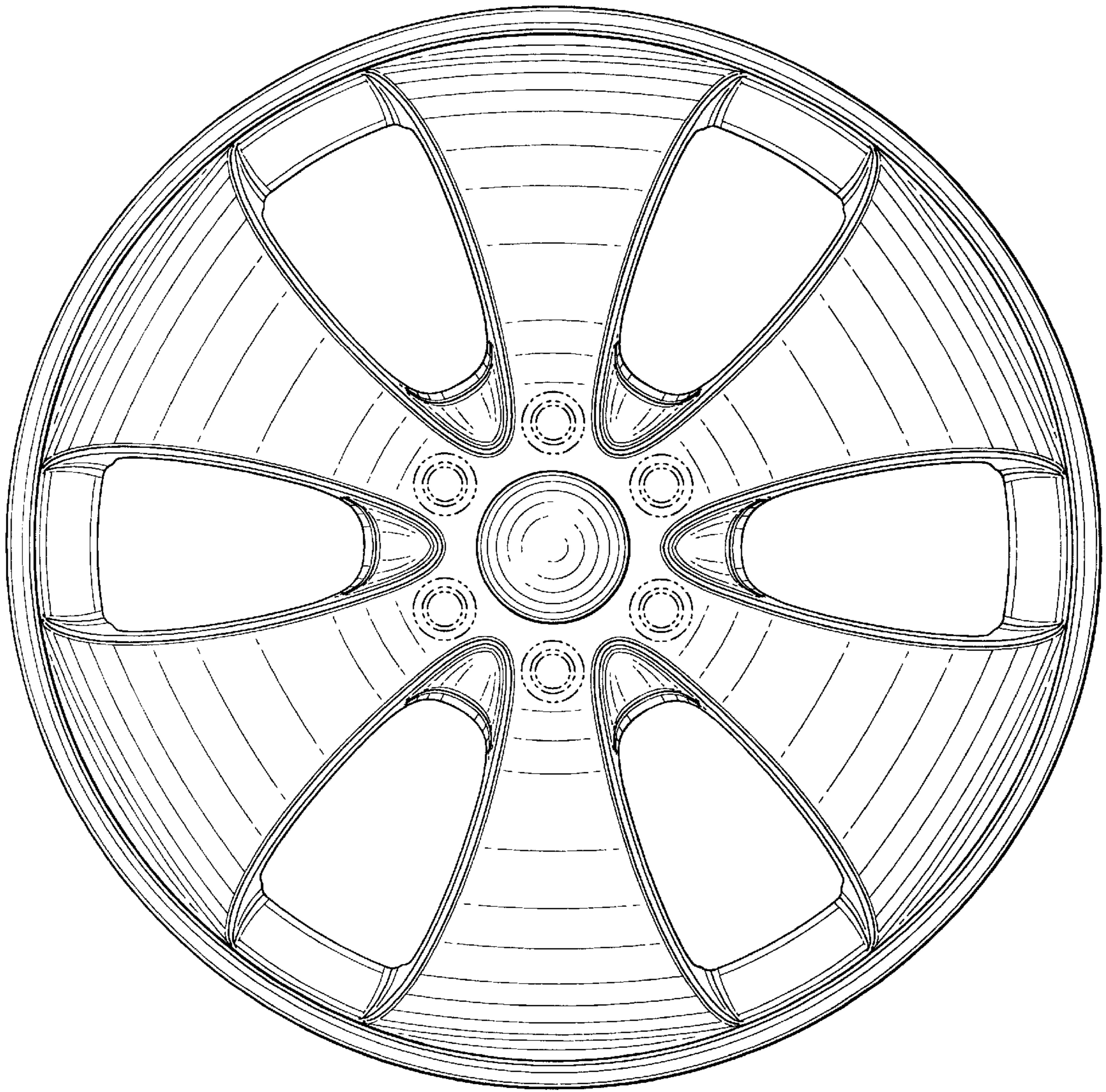


FIG. 6

