



US00D444438S

(12) **United States Design Patent**
Brintouch

(10) **Patent No.:** **US D444,438 S**

(45) **Date of Patent:** **** Jul. 3, 2001**

(54) **WHEEL COVER**

(75) **Inventor:** **Shawn Brintouch**, Brooklyn, NY (US)

(73) **Assignee:** **Atlantic Wholesalers, Inc.**, Brooklyn, NY (US)

(**) **Term:** **14 Years**

(21) **Appl. No.:** **29/134,268**

(22) **Filed:** **Dec. 18, 2000**

(51) **LOC (7) Cl.** **12-16**

(52) **U.S. Cl.** **D12/209**

(58) **Field of Search** D12/204-211;
301/37.1, 64.1, 65

(56) **References Cited**

U.S. PATENT DOCUMENTS

D. 275,192	*	8/1984	Schinella	D12/211
D. 275,193	*	8/1984	Schinella	D12/211
D. 412,879	*	8/1999	Hussaini et al.	D12/209
D. 416,531	*	11/1999	Gabath	D12/209

D. 419,513	*	1/2000	Hartanto	D12/209
D. 423,442	*	4/2000	Hussaini et al.	D12/209
D. 423,444	*	4/2000	Hussaini et al.	D12/209
D. 432,481	*	10/2000	Brown	D12/209
D. 432,972	*	10/2000	Chung	D12/209
D. 438,161	*	2/2001	Ong	D12/209

* cited by examiner

Primary Examiner—Stacia Cadmus

(74) *Attorney, Agent, or Firm*—Davidson, Davidson & Kappel, LLC

(57) **CLAIM**

The ornamental design for the wheel cover, as shown and described.

DESCRIPTION

FIG. 1 is a top, front and side perspective view of the wheel cover; and,

FIG. 2 is a top plan view thereof.

The bottom and sides of the wheel cover shown in broken lines form no part of the claimed design thereof.

1 Claim, 2 Drawing Sheets

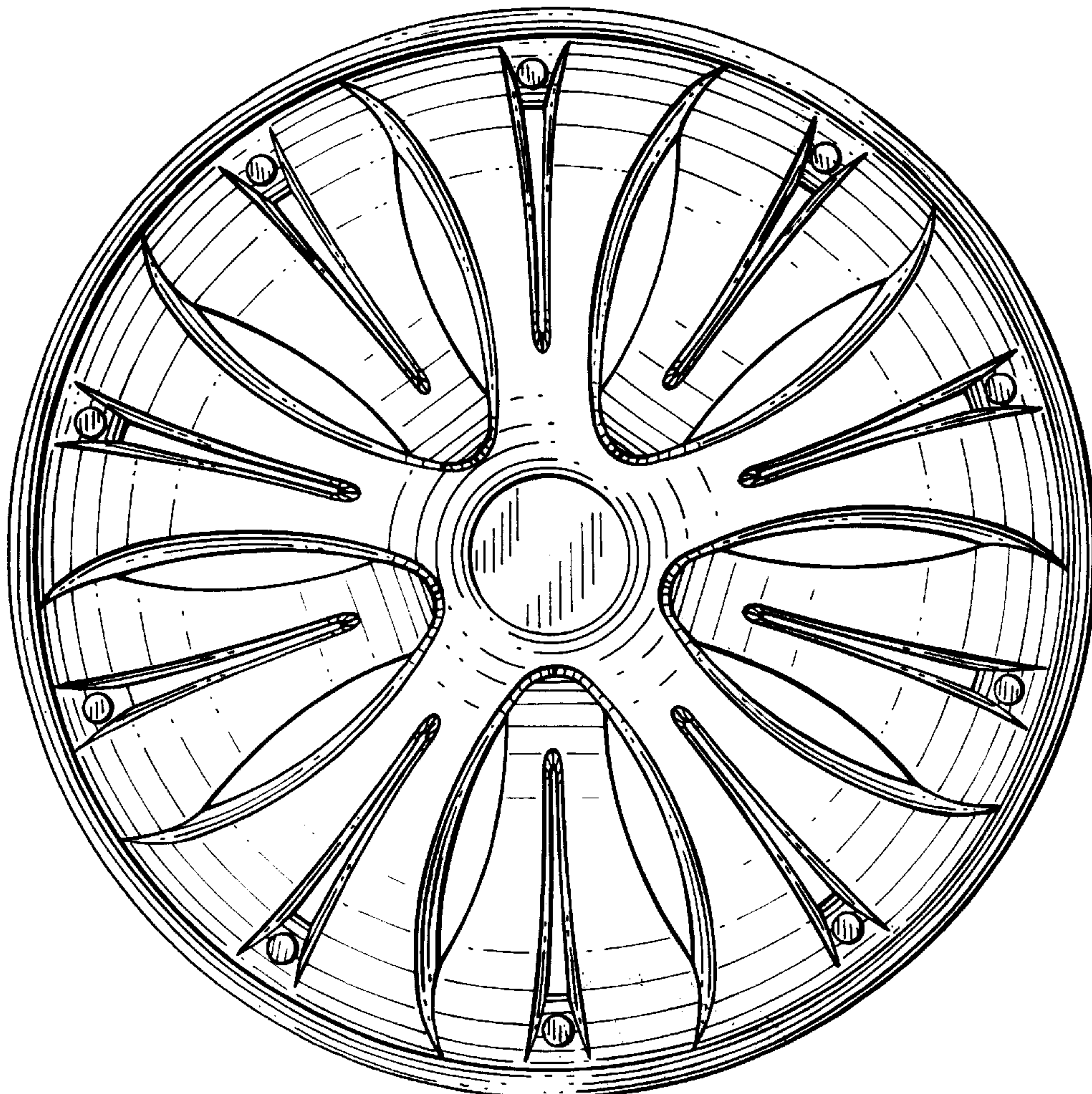
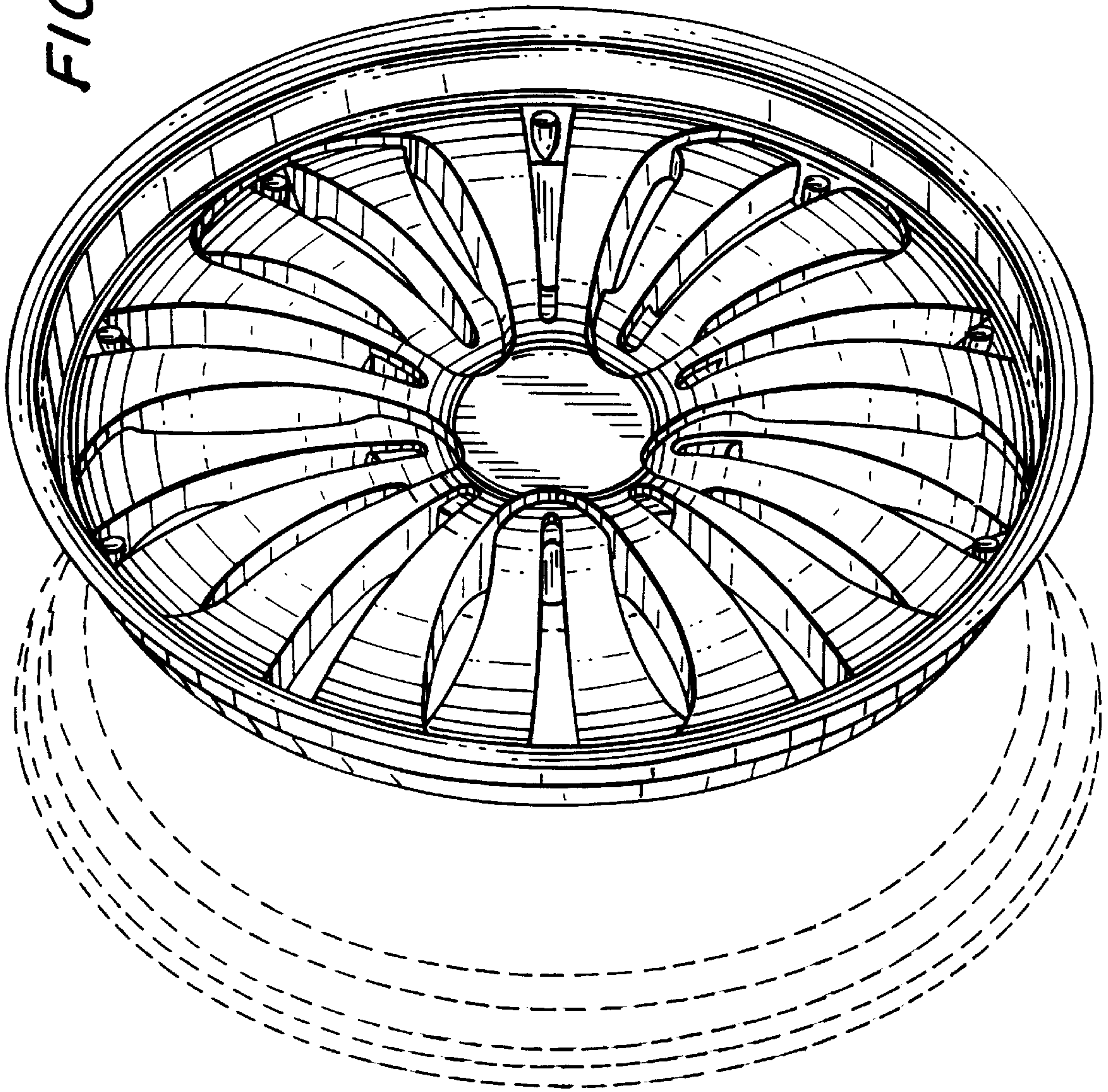


FIG. 1



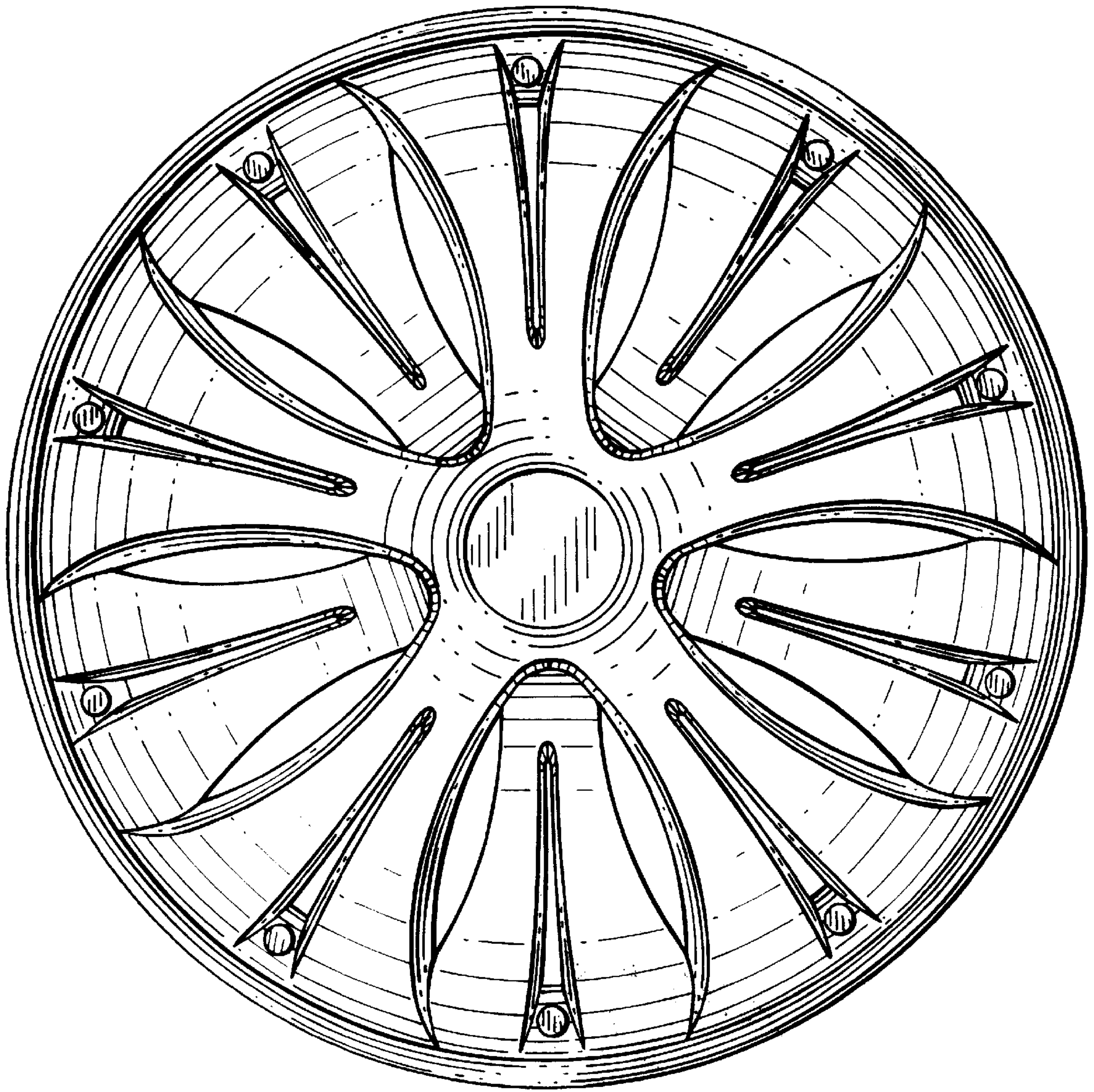


FIG. 2