



US00D444433S

(12) **United States Design Patent**  
**McBroom et al.**

(10) **Patent No.:** **US D444,433 S**

(45) **Date of Patent:** **\*\* Jul. 3, 2001**

- (54) **TRAILER HITCH COVER**
- (75) Inventors: **Byron L. McBroom**, Ripon; **Richard Dodd**, Manteca, both of CA (US)
- (73) Assignee: **Hitchhiker Products, Inc.**, Manteca, CA (US)
- (\*\*) Term: **14 Years**

1,251,260	*	12/1917	Manuel	.....	D12/183
1,334,824	*	3/1920	Williams	.....	D12/183
1,792,445		2/1931	Price	.	
1,852,375		4/1932	Read	.	
1,864,641		6/1932	Davis	.	
2,312,183		2/1943	Murfin	.	
2,579,537		12/1951	Berlekamp	.	
3,408,760		11/1968	Barr	.	

\* cited by examiner

- (21) Appl. No.: **29/113,222**
- (22) Filed: **Nov. 1, 1999**

*Primary Examiner*—Doris V. Coles  
*Assistant Examiner*—T. Chase Nelson  
 (74) *Attorney, Agent, or Firm*—Townsend and Townsend and Crew LLP

- (51) **LOC (7) Cl.** ..... **12-16**
- (52) **U.S. Cl.** ..... **D12/162**
- (58) **Field of Search** ..... D8/352, 499, 331; D12/162, 183, 193, 400, 114; D9/307, 441, 451; D11/222, 231, 234; D20/15; 40/591; 138/89.1, 89.4; 296/95.1, 138; 211/14; 280/507; 24/41.1; 232/46; D6/328

(57) **CLAIM**

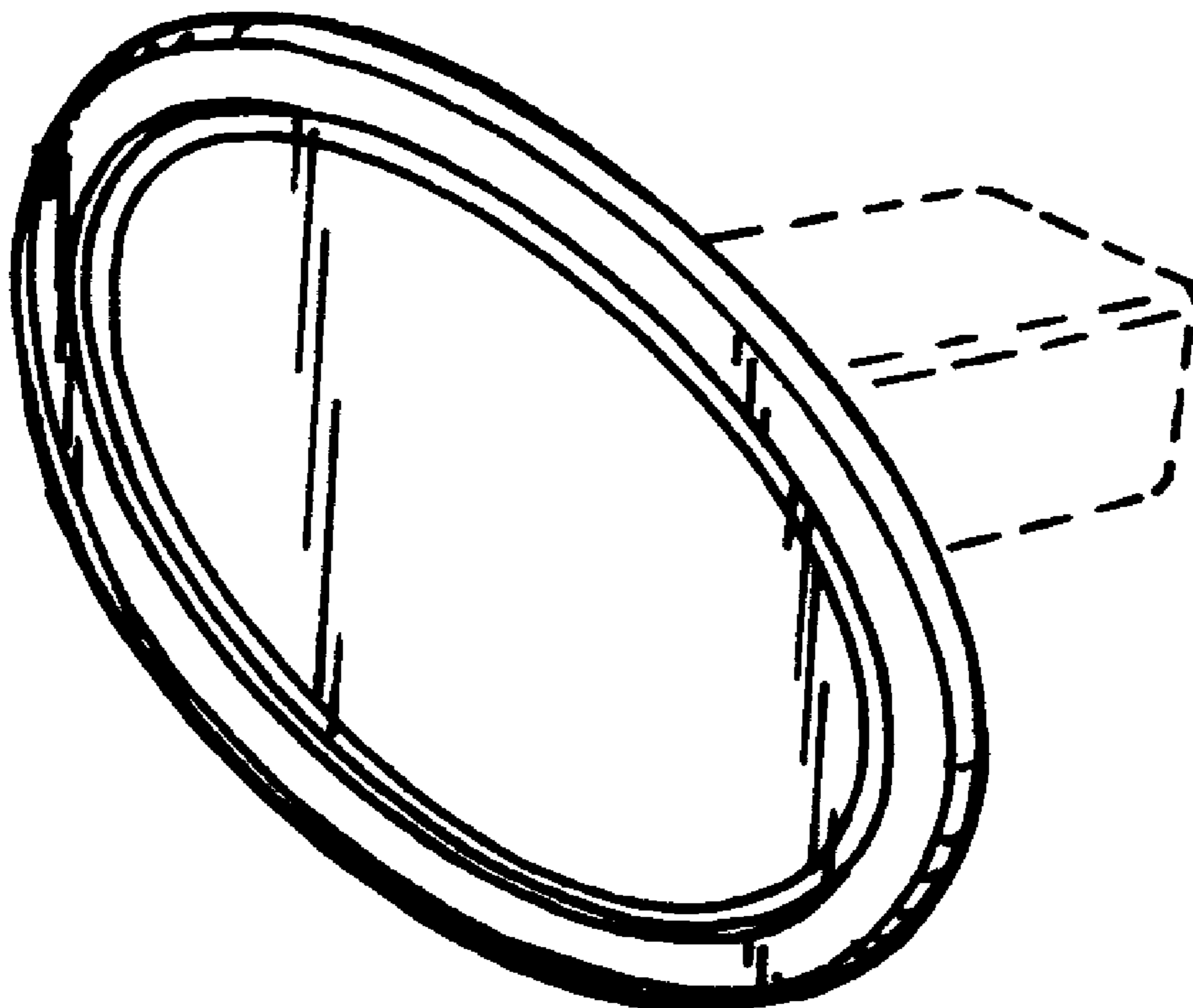
The ornamental design for a trailer hitch cover, as shown and described.

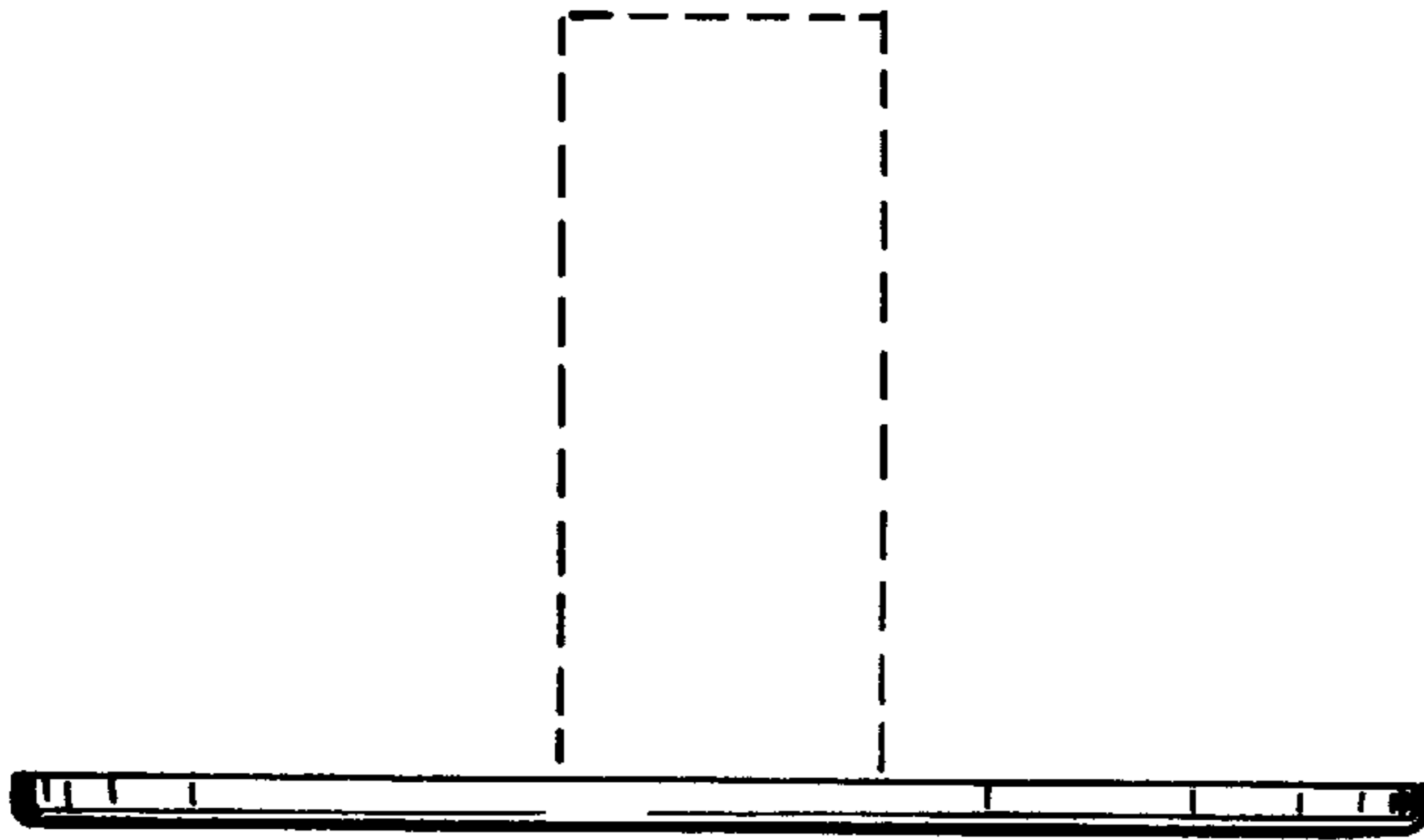
**DESCRIPTION**

FIG. 1 is a perspective view of a trailer hitch cover showing my new design;  
 FIG. 2 is an enlarged top plan view thereof;  
 FIG. 3 is an enlarged front elevational view thereof;  
 FIG. 4 is an enlarged right side elevational view thereof; and,  
 FIG. 5 is an enlarged rear elevational view thereof.  
 The broken line showing of environmental structure is for illustrative purposes only and forms no part of the claimed design.

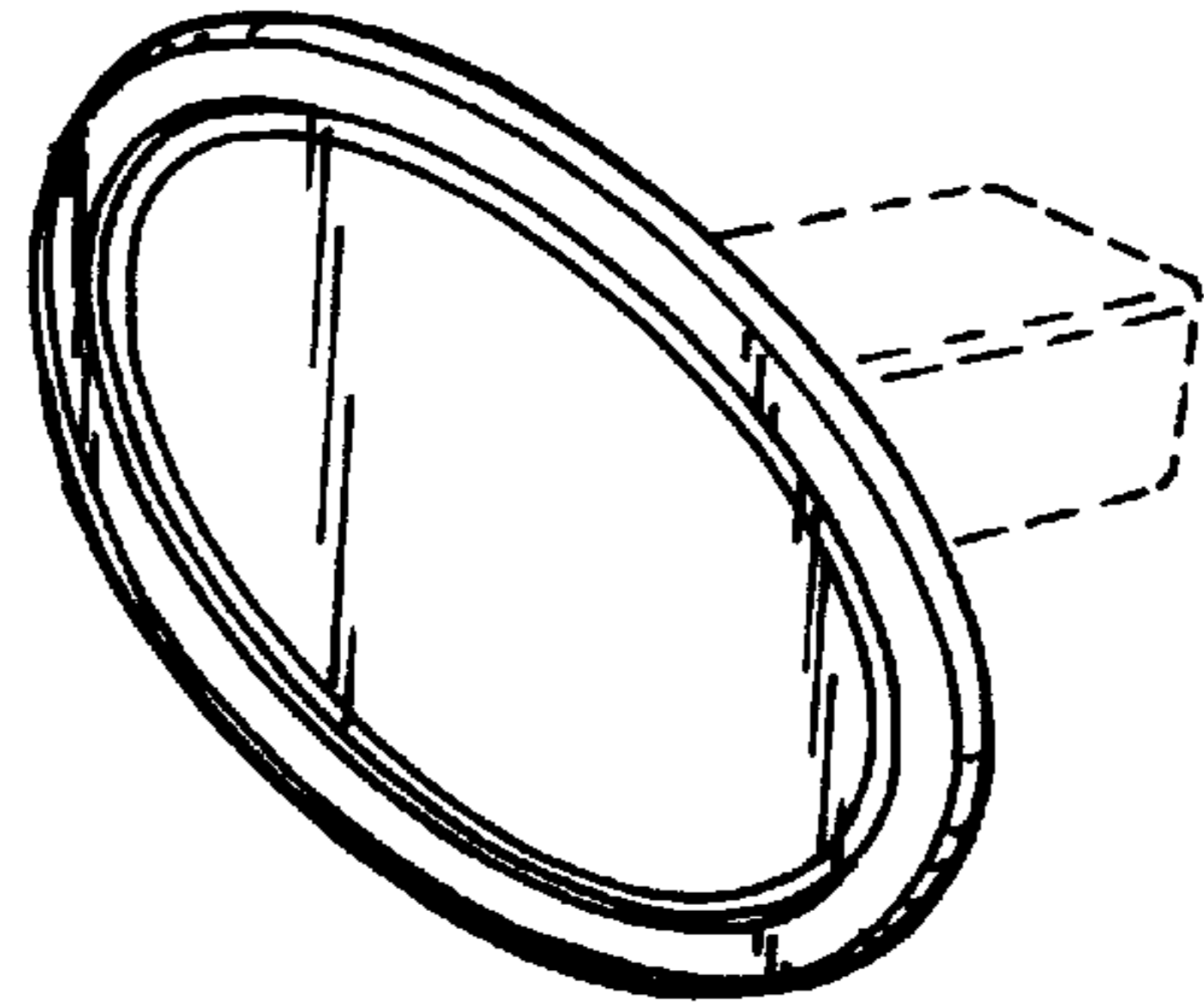
- (56) **References Cited**
- U.S. PATENT DOCUMENTS
- D. 244,197 \* 5/1977 Ostroll ..... D6/328
- D. 377,637 1/1997 Berry, Jr. .
- D. 379,611 6/1997 Berry, Jr. .
- D. 385,772 \* 11/1997 Keller ..... D8/310
- D. 419,505 \* 1/2000 Deerman ..... D12/162
- D. 425,460 \* 5/2000 Peroni ..... D12/162
- D. 426,798 \* 6/2000 Peroni ..... D12/162
- D. 428,839 \* 8/2000 Horowitz ..... D12/162
- D. 433,358 \* 11/2000 McBroom ..... D12/162

**1 Claim, 1 Drawing Sheet**

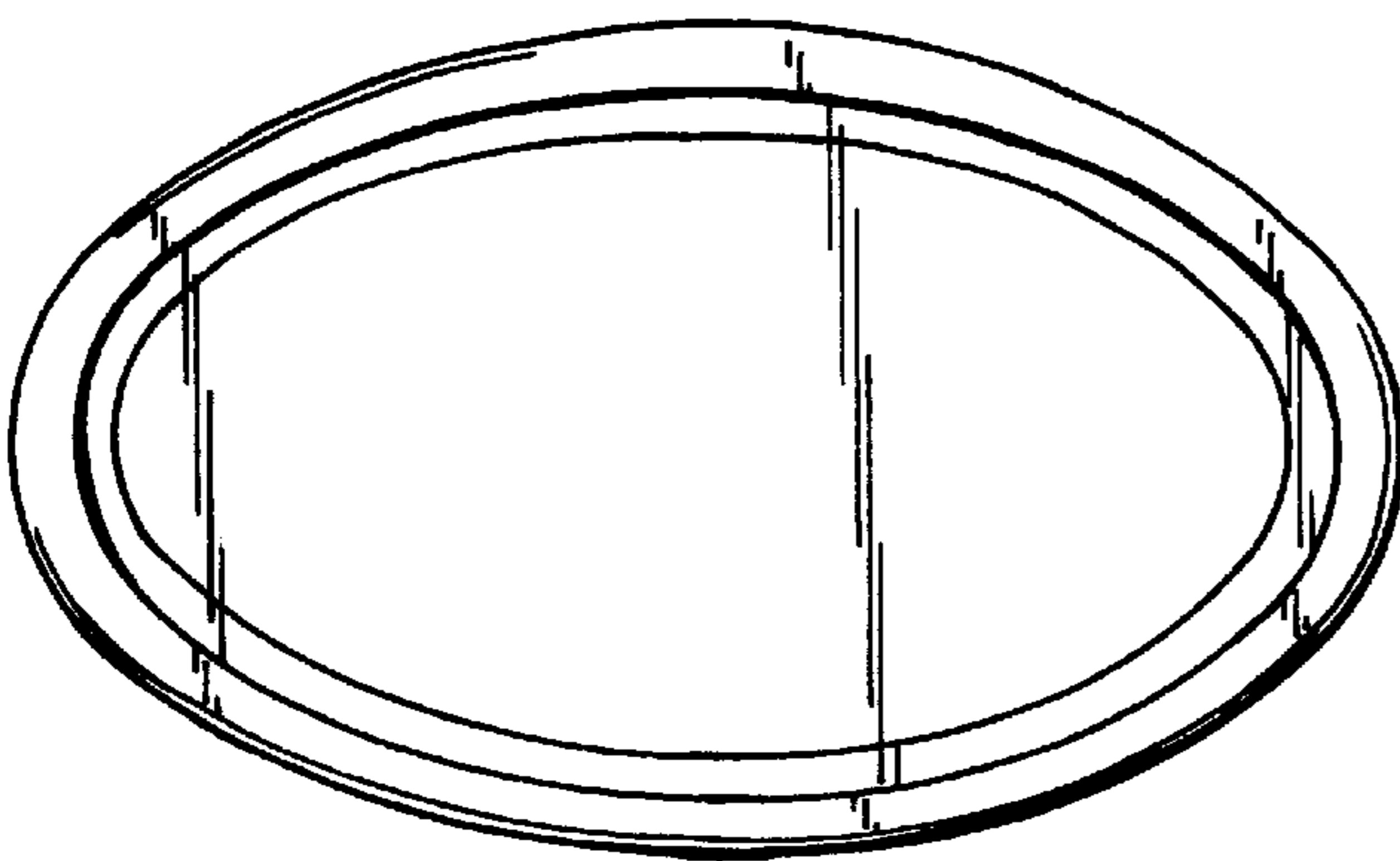




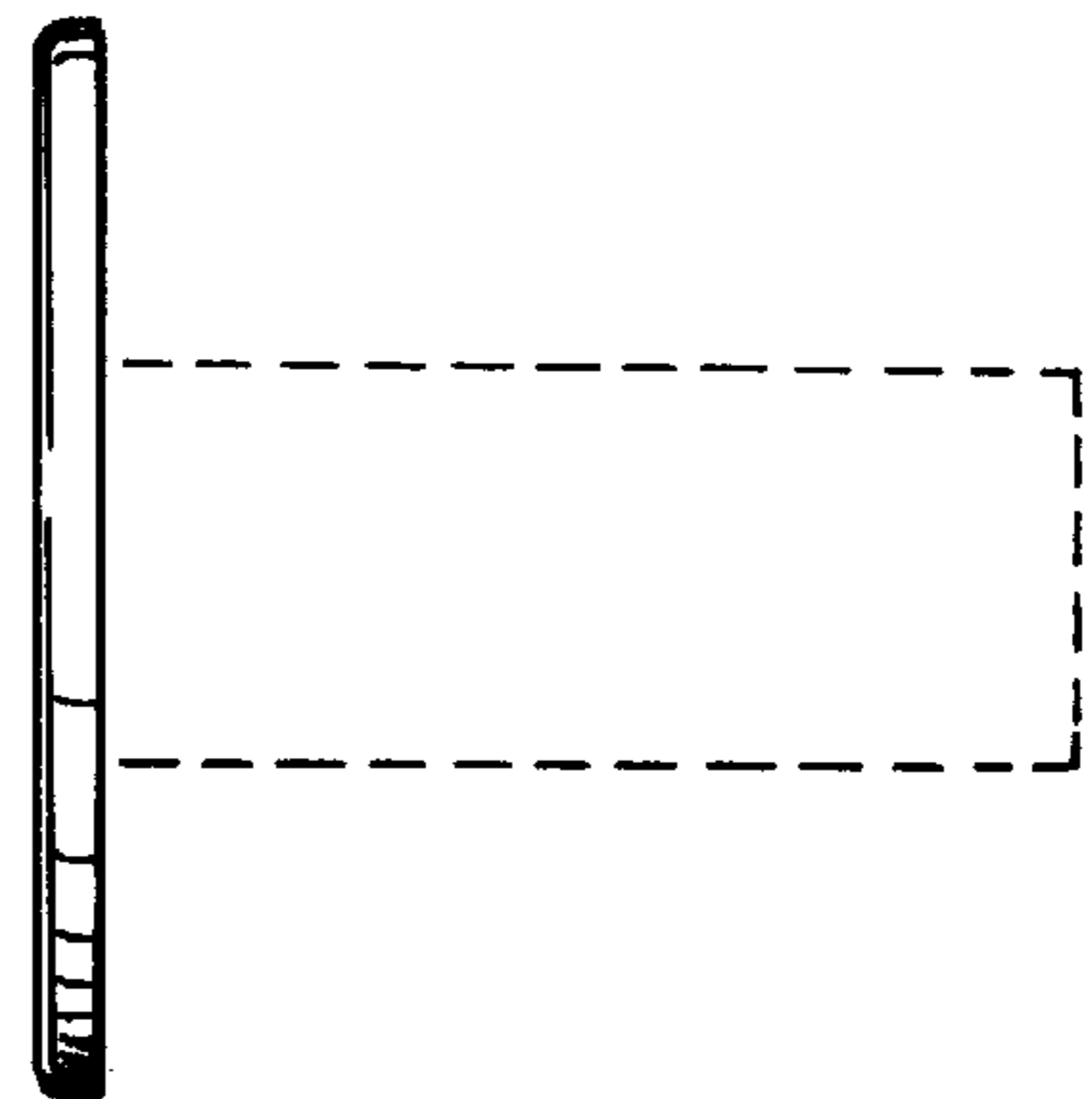
**FIG. 2.**



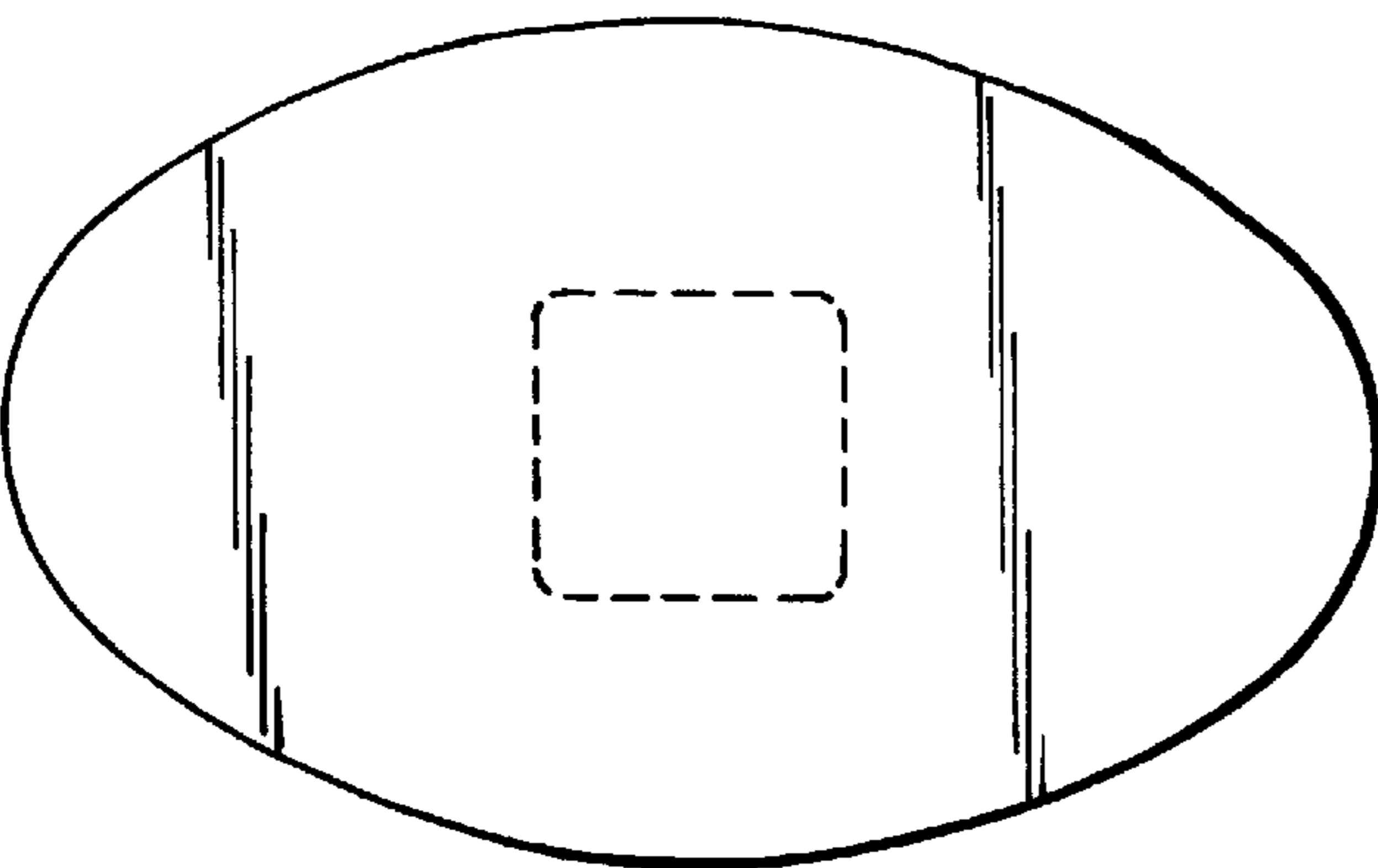
**FIG. 1.**



**FIG. 3.**



**FIG. 4.**



**FIG. 5.**