



US00D444431S

(12) **United States Design Patent**  
**Graas**

(10) **Patent No.:** **US D444,431 S**

(45) **Date of Patent:** **\*\* Jul. 3, 2001**

(54) **TIRE TREAD**

D. 412,470 8/1999 Downey ..... D12/141  
5,733,393 3/1998 Hubbell et al. .... 152/209 R

(75) Inventor: **Maurice Graas, Reichlange (LU)**

**OTHER PUBLICATIONS**

(73) Assignee: **The Goodyear Tire & Rubber Company, Akron, OH (US)**

Goodyear Conquest GL Tire, 1998 Tread Design Guide, p. 34. 1/5, Feb. 1998.\*

(\*\*) Term: **14 Years**

\* cited by examiner

(21) Appl. No.: **29/128,692**

*Primary Examiner*—Robert M. Spear

(22) Filed: **Aug. 29, 2000**

(74) *Attorney, Agent, or Firm*—David E Wheeler; T P Lewandowski

(51) **LOC (7) Cl.** ..... **12-15**

(57) **CLAIM**

(52) **U.S. Cl.** ..... **D12/147**

The ornamental design for a tire tread, as shown and described.

(58) **Field of Search** ..... D12/134–152;  
152/209.1, 209.3, 209.9, 209.13, 209.16,  
209.28

**DESCRIPTION**

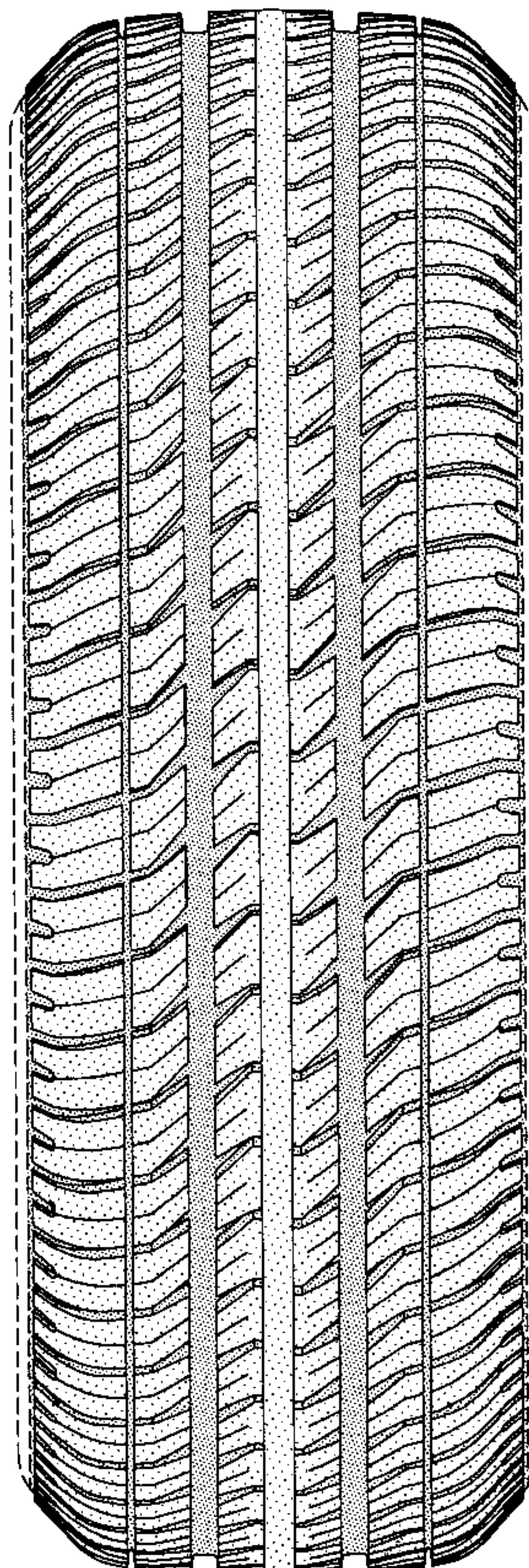
(56) **References Cited**

FIG. 1 is a perspective view of a tire tread showing my new design, it being understood that the pattern repeats uniformly throughout the circumference of the tread; FIG. 2 is a front elevational view thereof; FIG. 3 is a side elevational view thereof, the opposite side elevational view being identical thereto; and, FIG. 4 is an enlarged fragmentary perspective view. In the drawings, the broken lines defining the inner bead of the sidewall and the peripheral boundary between the tire tread and the sidewall are for illustrative purposes only and form no part of the claimed design.

**U.S. PATENT DOCUMENTS**

D. 301,855	6/1989	Ono	.....	D12/147
D. 309,883	8/1990	Barnett	.....	D12/143
D. 336,268	6/1993	Bondini	.....	D12/146
D. 341,345	11/1993	Killian	.....	D12/146
D. 365,067	12/1995	Kotanides, Jr. et al.	.....	D12/147
D. 384,621	10/1997	Coleman, Jr. et al.	.....	D12/147
D. 385,241	10/1997	Attinello et al.	.....	D12/147
D. 395,624	6/1998	Graas	.....	D12/143
D. 397,971	9/1998	Horie et al.	.....	D12/147
D. 405,740	2/1999	Heinen et al.	.....	D12/147

**1 Claim, 4 Drawing Sheets**





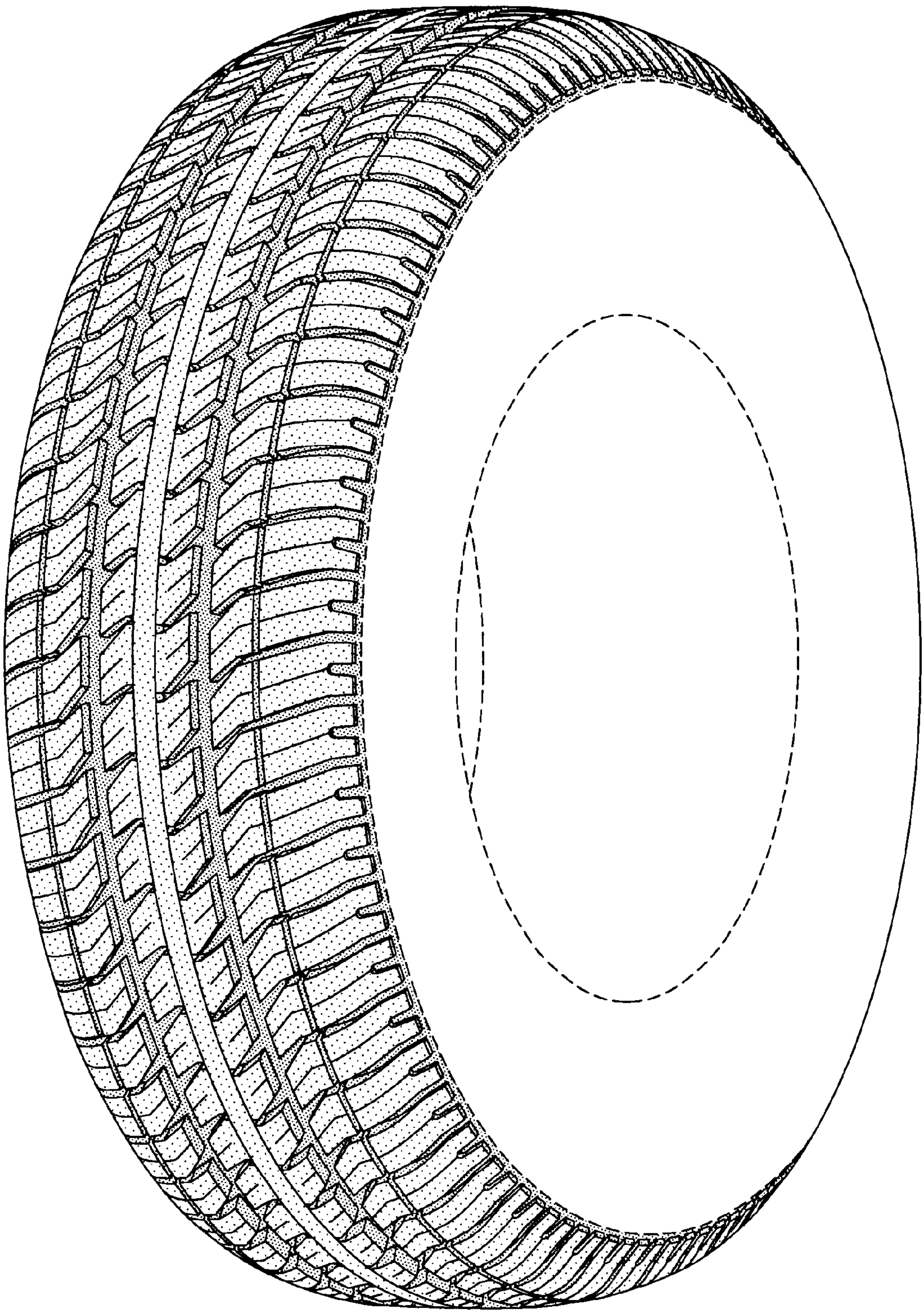


FIG-1



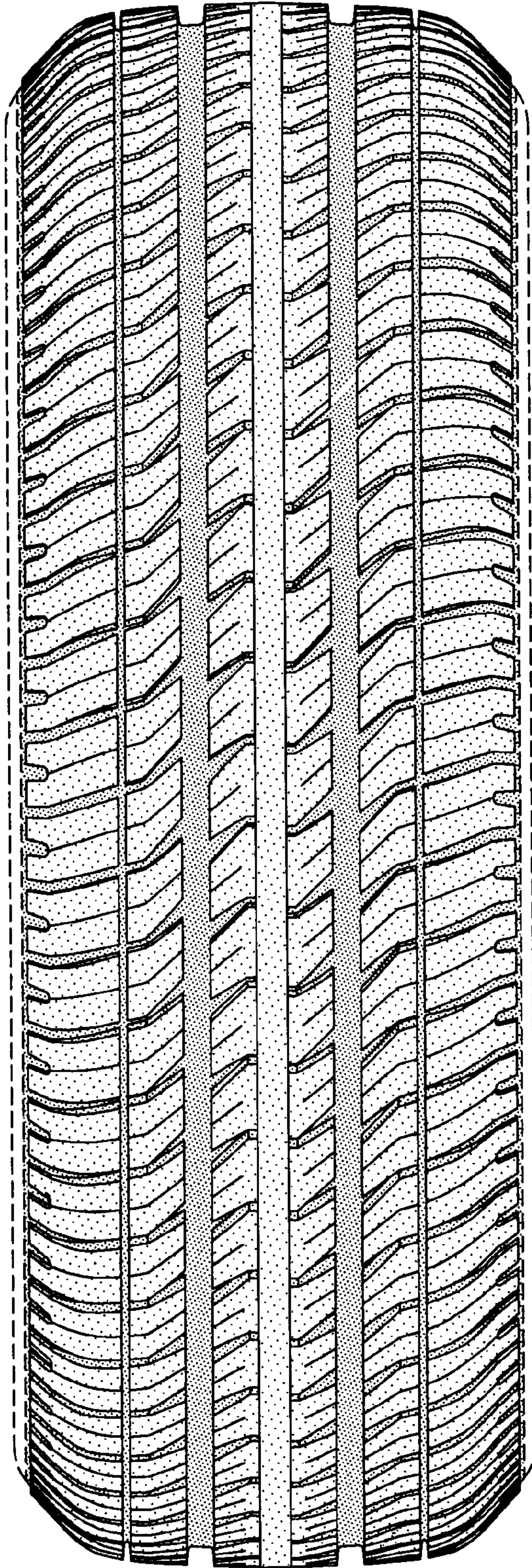


FIG-2

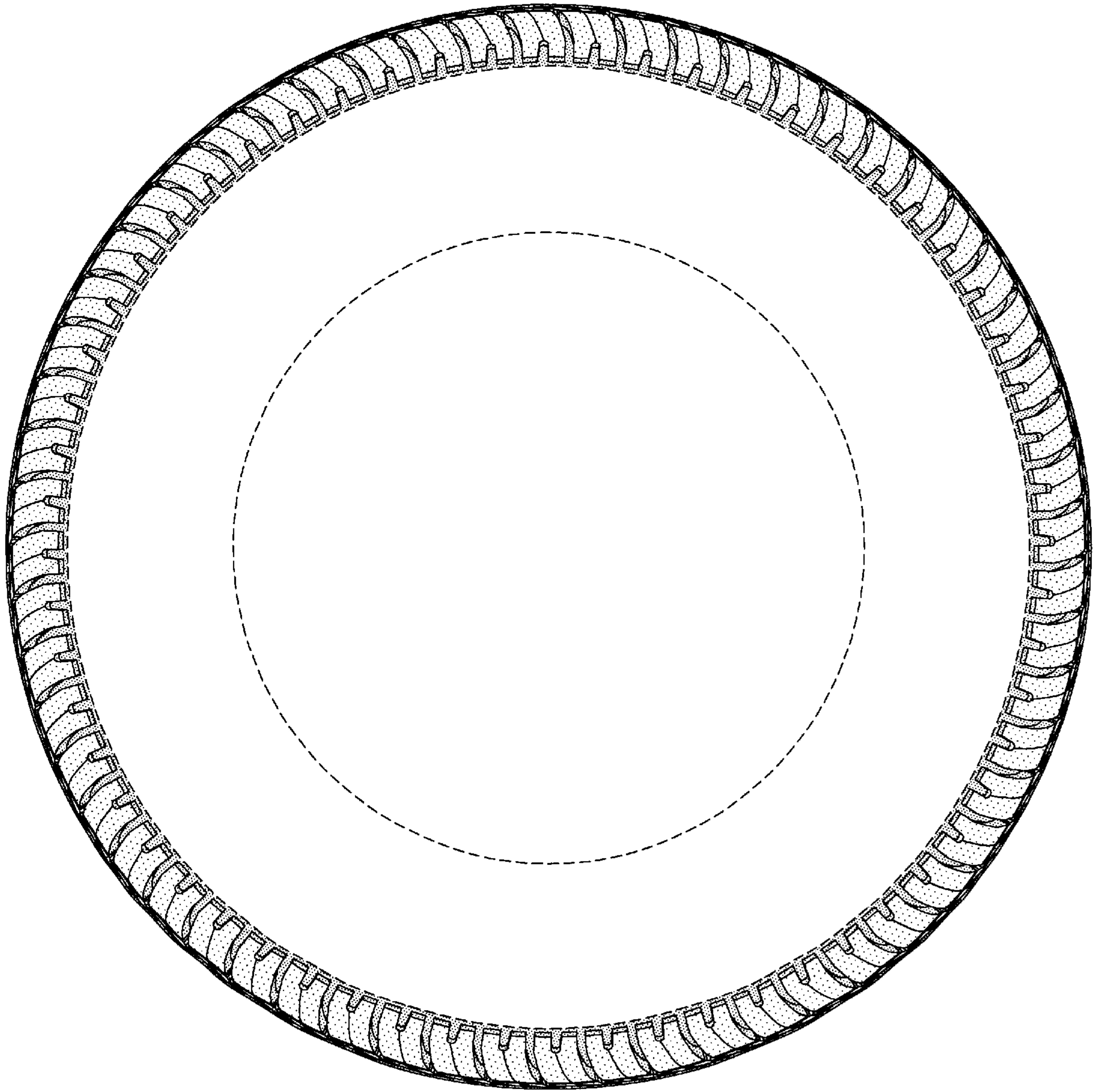


FIG-3



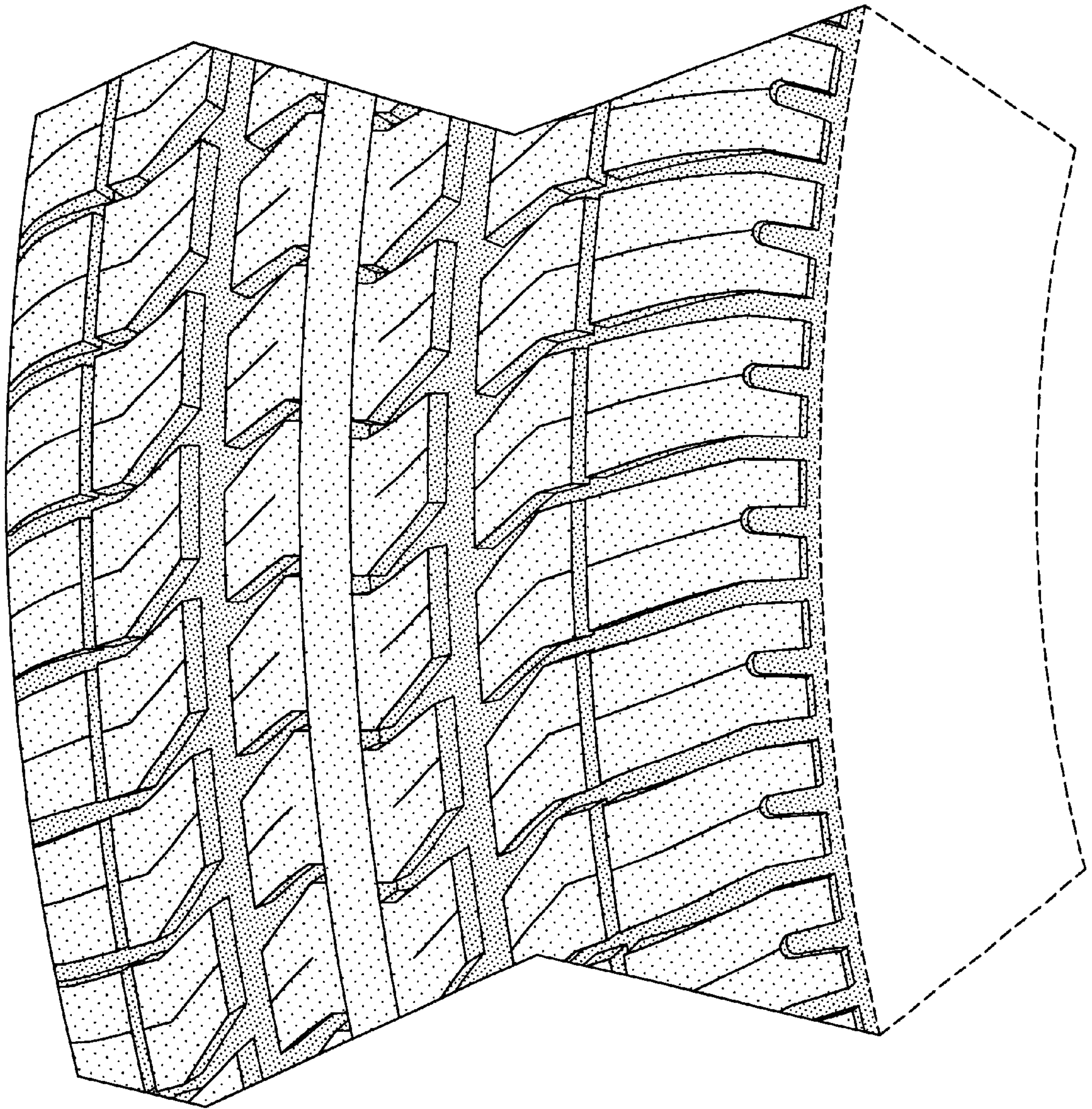


FIG-4