



US00D444430S

(12) **United States Design Patent**
Welbes et al.

(10) **Patent No.:** **US D444,430 S**

(45) **Date of Patent:** **** Jul. 3, 2001**

(54) **TIRE TREAD**

(75) Inventors: **Paul Welbes**, Schrondeweiler; **Claude Lardo**, Luxembourg, both of (LU)

(73) Assignee: **The Goodyear Tire & Rubber Company**, Akron, OH (US)

(**) Term: **14 Years**

(21) Appl. No.: **29/126,663**

(22) Filed: **Jul. 20, 2000**

(51) **LOC (7) Cl.** **12-15**

(52) **U.S. Cl.** **D12/147**

(58) **Field of Search** D12/134-152;
152/209.1, 209.3, 209.9, 209.16, 209.18,
209.25, 209.27, 902

(56) **References Cited**

U.S. PATENT DOCUMENTS

D. 303,364	9/1989	Graas et al.	D12/147
D. 336,272 *	6/1993	Terada	D12/147
D. 338,437	8/1993	Maxwell et al.	D12/147
D. 347,607	6/1994	Montag et al.	D12/147
D. 368,684	4/1996	Scarpitti et al.	D12/143
D. 379,334	5/1997	Rohweder et al.	D12/146
D. 412,471	8/1999	Downey	D12/146

OTHER PUBLICATIONS

Kumho All-Season 793 Tire, Tire Review Magazine, p. 86, Oct. 1999.*

* cited by examiner

Primary Examiner—Robert M. Spear

(74) *Attorney, Agent, or Firm*—David E Wheeler; T P Lewandowski

(57) **CLAIM**

The ornamental design for a tire tread, as shown and described.

DESCRIPTION

FIG. 1 is a perspective view of a tire tread showing our new design, it being understood that the pattern repeats uniformly throughout the circumference of the tread;

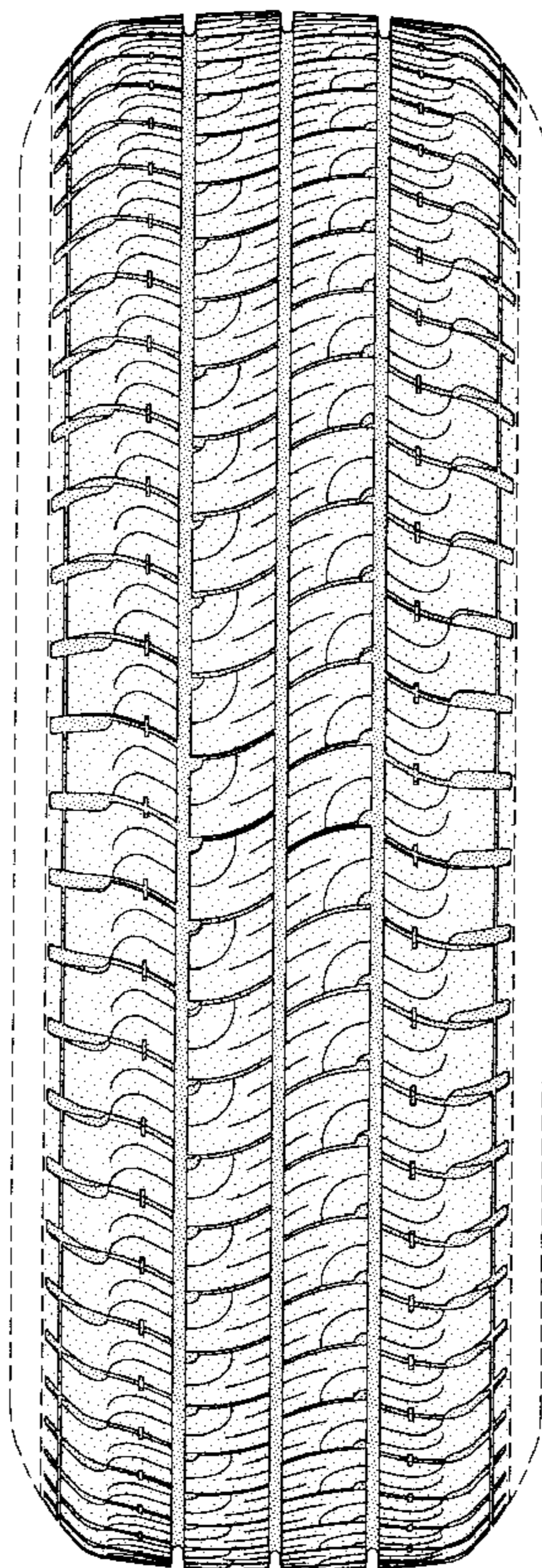
FIG. 2 is a front elevational view thereof;

FIG. 3 is a side elevational view thereof, the opposite side elevational view being identical thereto; and,

FIG. 4 is an enlarged fragmentary perspective view.

In the drawings, the broken lines defining the inner bead of the sidewall and the peripheral boundary between the tire tread and the sidewall are for illustrative purposes only and form no part of the claimed design.

1 Claim, 4 Drawing Sheets



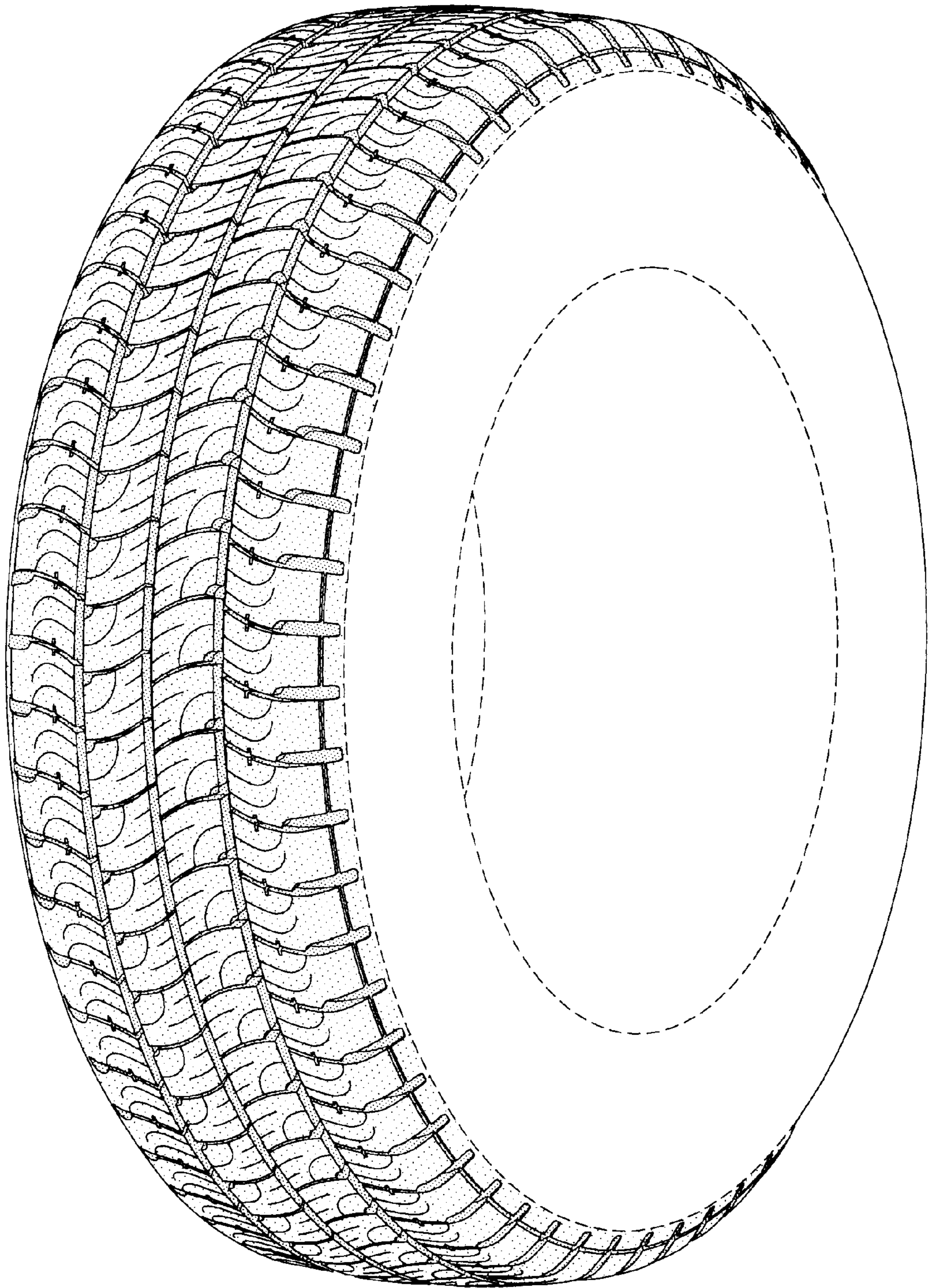


FIG-1

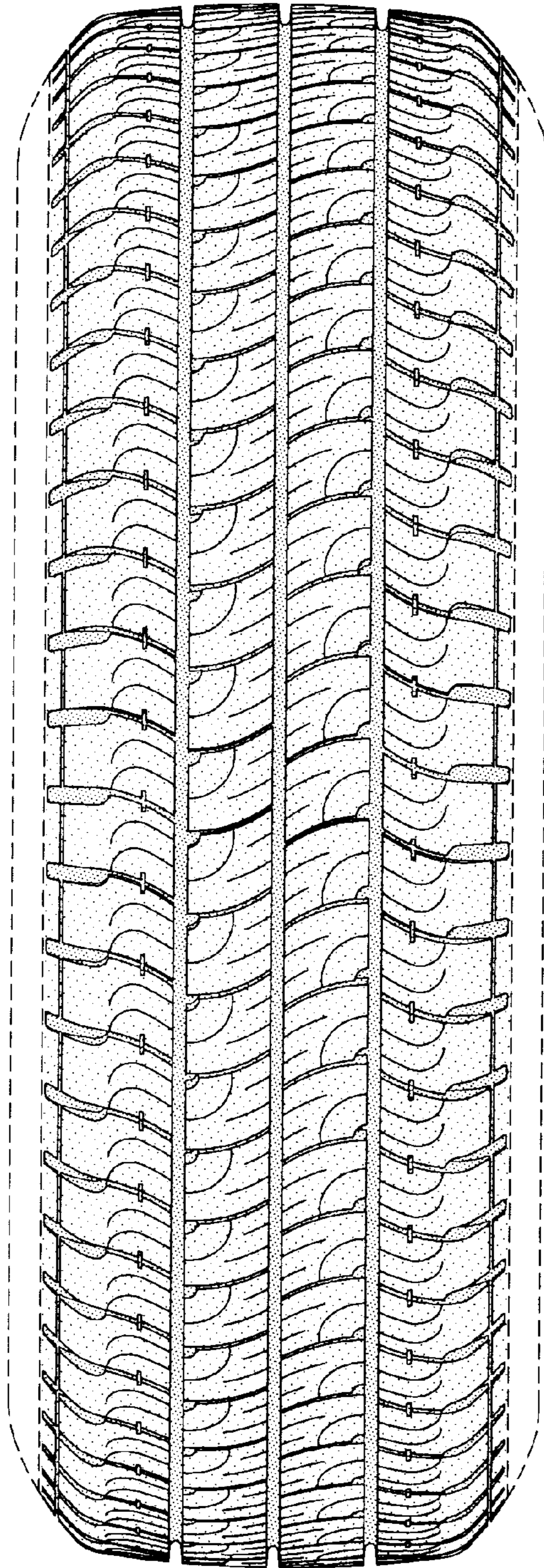


FIG-2

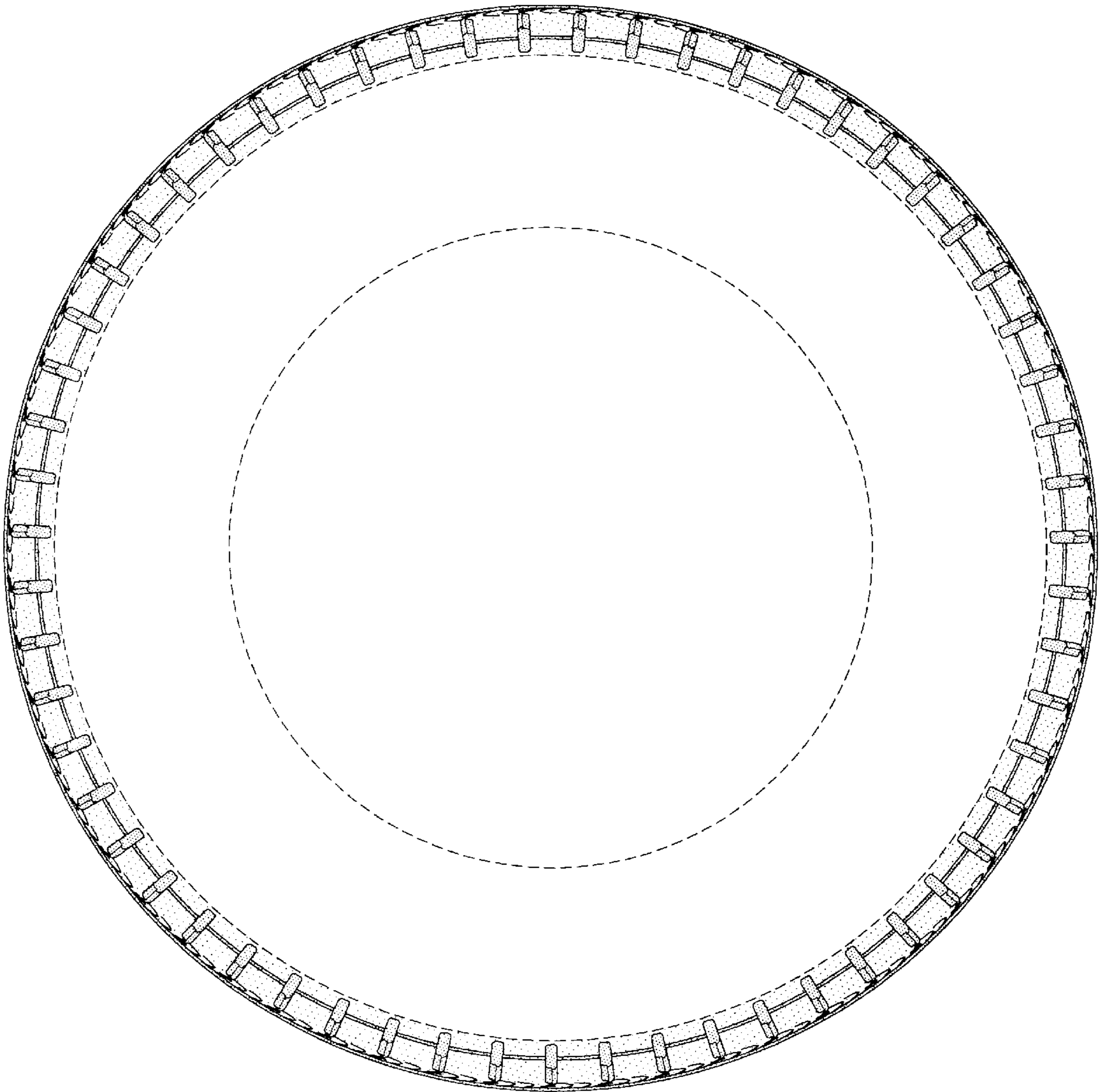


FIG-3

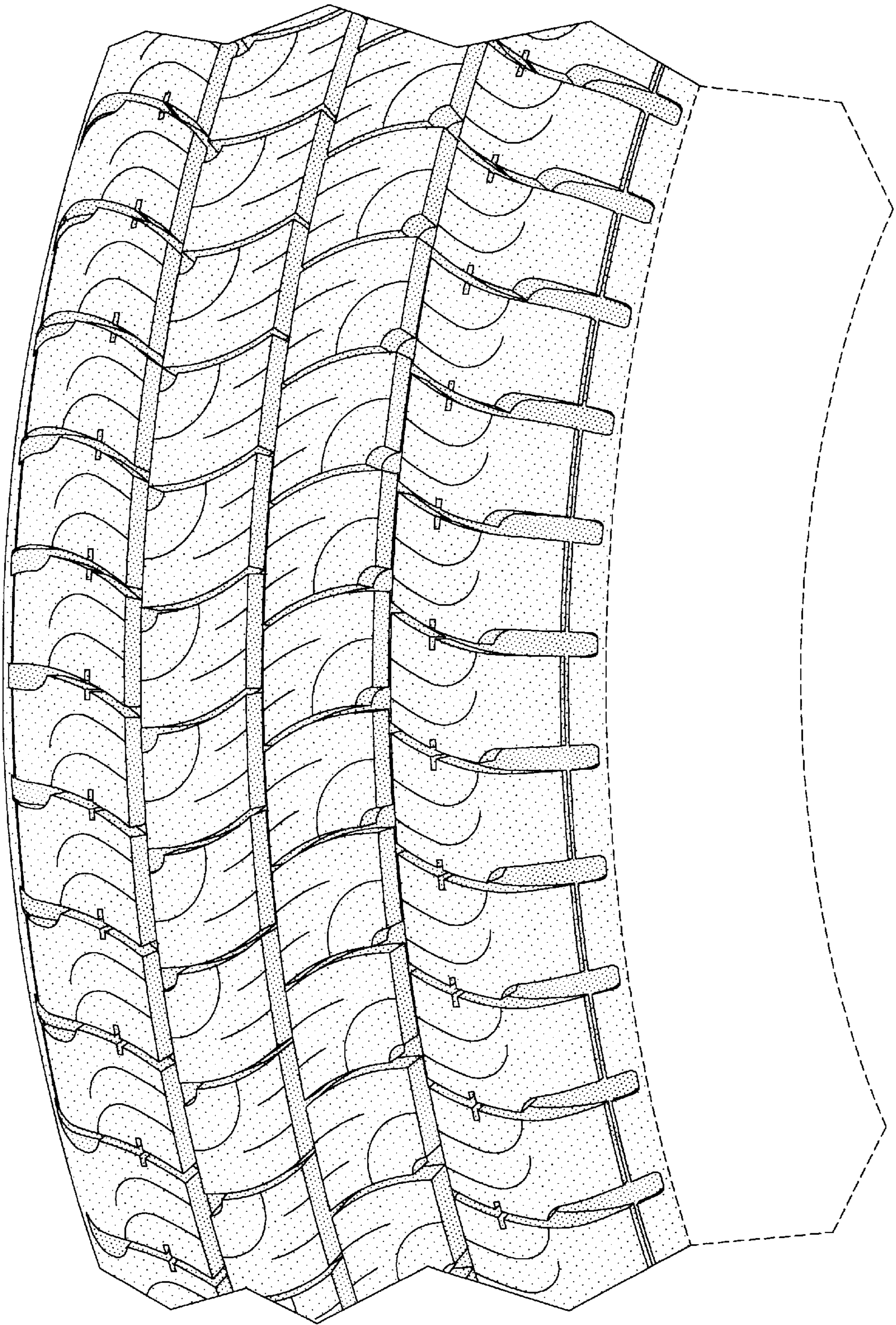


FIG-4