



US00D444425S

(12) **United States Design Patent** (10) **Patent No.:** **US D444,425 S**
Maxwell (45) **Date of Patent:** **** Jul. 3, 2001**

(54) **TIRE TREAD**

(75) Inventor: **Paul Bryan Maxwell, Kent, OH (US)**

(73) Assignee: **The Goodyear Tire & Rubber Company, Akron, OH (US)**

(**) Term: **14 Years**

(21) Appl. No.: **29/119,069**

(22) Filed: **Feb. 23, 2000**

(51) **LOC (7) Cl.** **12-15**

(52) **U.S. Cl.** **D12/146**

(58) **Field of Search** **D12/134-152;**
152/209.1, 209.3, 209.8, 209.9, 209.13,
209.16, 209.28

(56) **References Cited**

U.S. PATENT DOCUMENTS

D. 340,894	*	11/1993	Kobayashi	D12/147
D. 340,899	*	11/1993	Kobayashi	D12/151
D. 342,224	*	12/1993	Graas et al.	D12/147
D. 389,792	*	1/1998	Himuro	D12/147
D. 403,628	*	1/1999	Muhlhoff et al.	D12/147
6,105,644	*	8/2000	Ikeda	152/209

* cited by examiner

Primary Examiner—Robert M. Spear

(74) *Attorney, Agent, or Firm*—David E. Wheeler; T P Lewandowski

(57) **CLAIM**

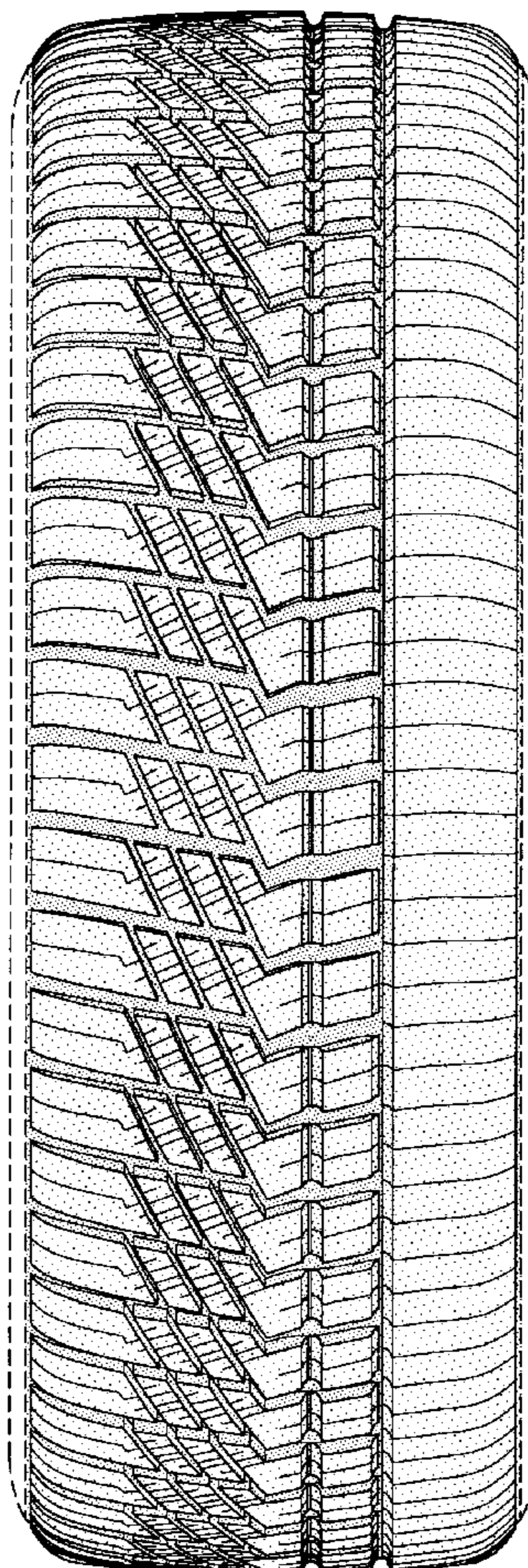
The ornamental design for a tire tread, as shown and described.

DESCRIPTION

FIG. 1 is a perspective view of a tire tread showing our new design, it being understood that the pattern repeats uniformly throughout the circumference of the tread;
 FIG. 2 is an opposite side perspective view of a tire tread showing our new design, it being understood that the pattern repeats uniformly throughout the circumference of the tread;
 FIG. 3 is a front elevational view thereof;
 FIG. 4 is a side elevational view thereof;
 FIG. 5 is an opposite side elevational view thereof; and,
 FIG. 6 is an enlarged fragmentary perspective view.

In the drawings, the broken lines defining the inner bead of the sidewall and the peripheral boundary between the tire tread and the sidewall are for illustrative purposes only and form no part of the claimed design.

1 Claim, 6 Drawing Sheets



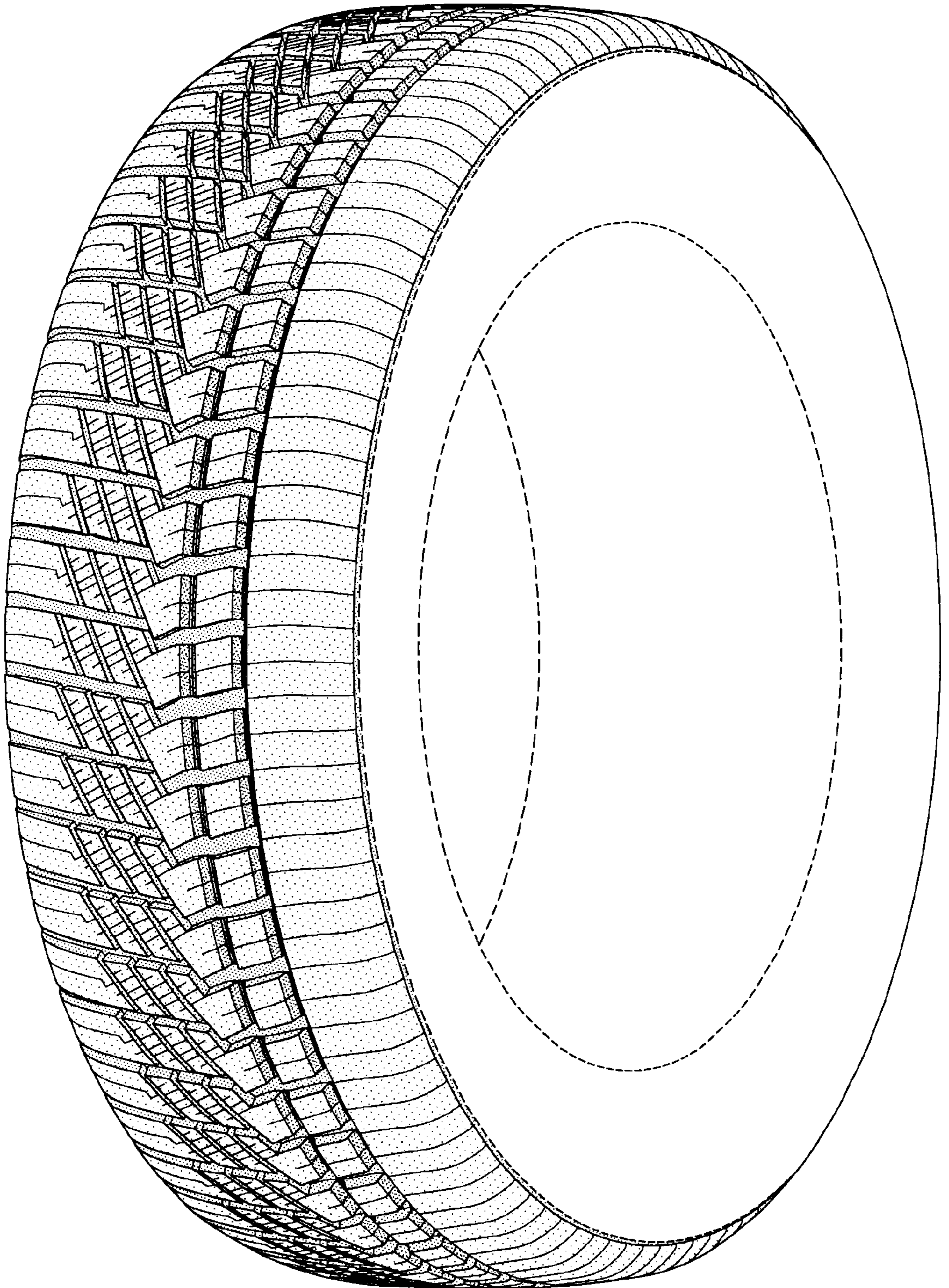


FIG-1

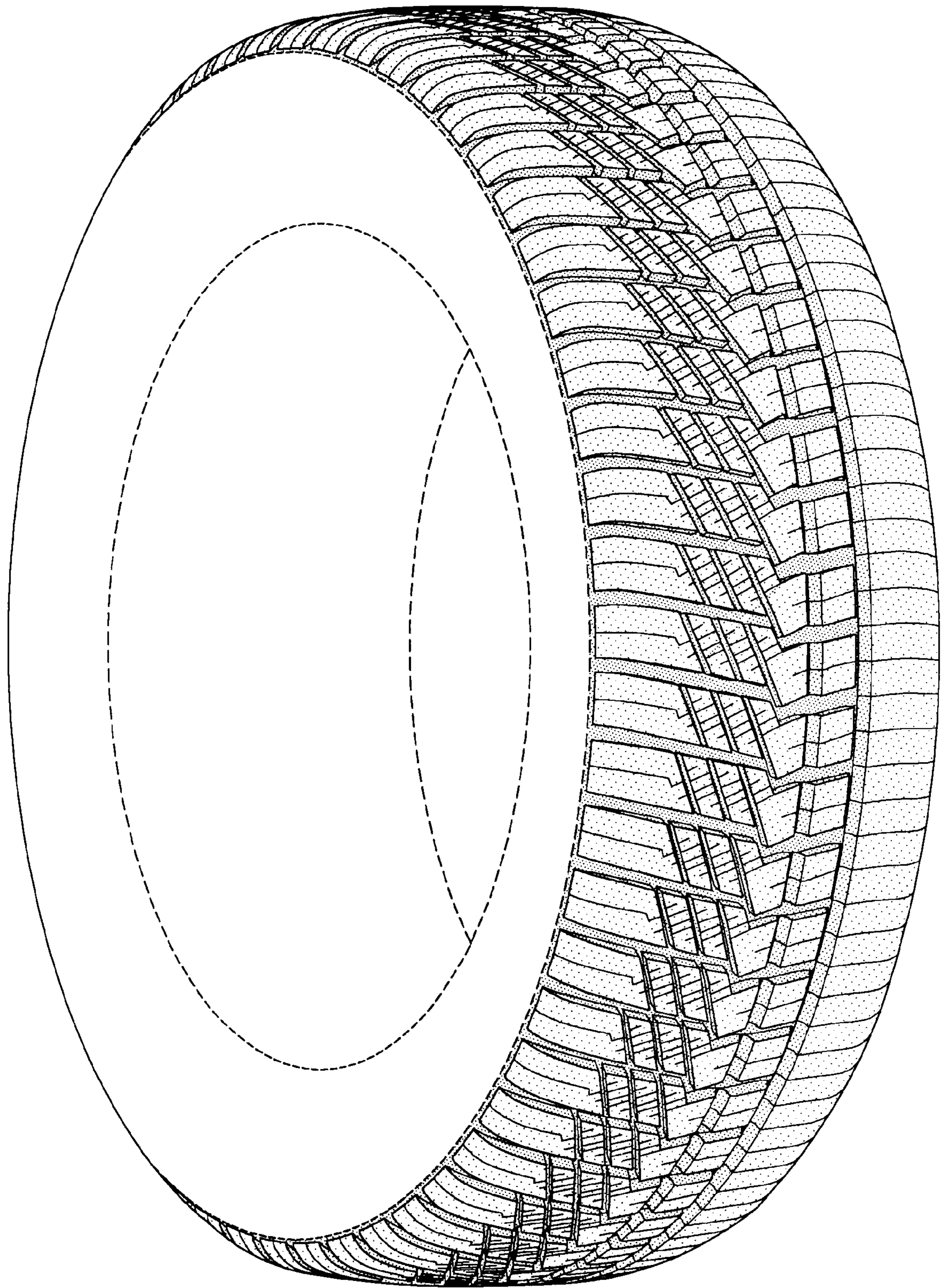


FIG-2

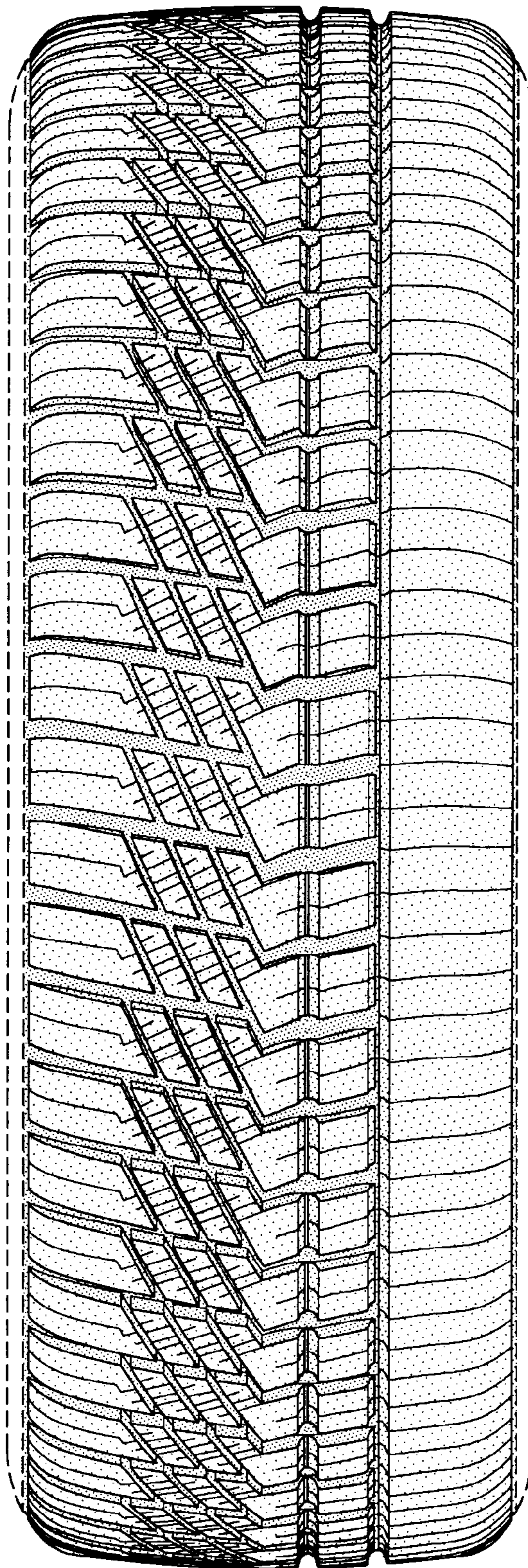


FIG-3

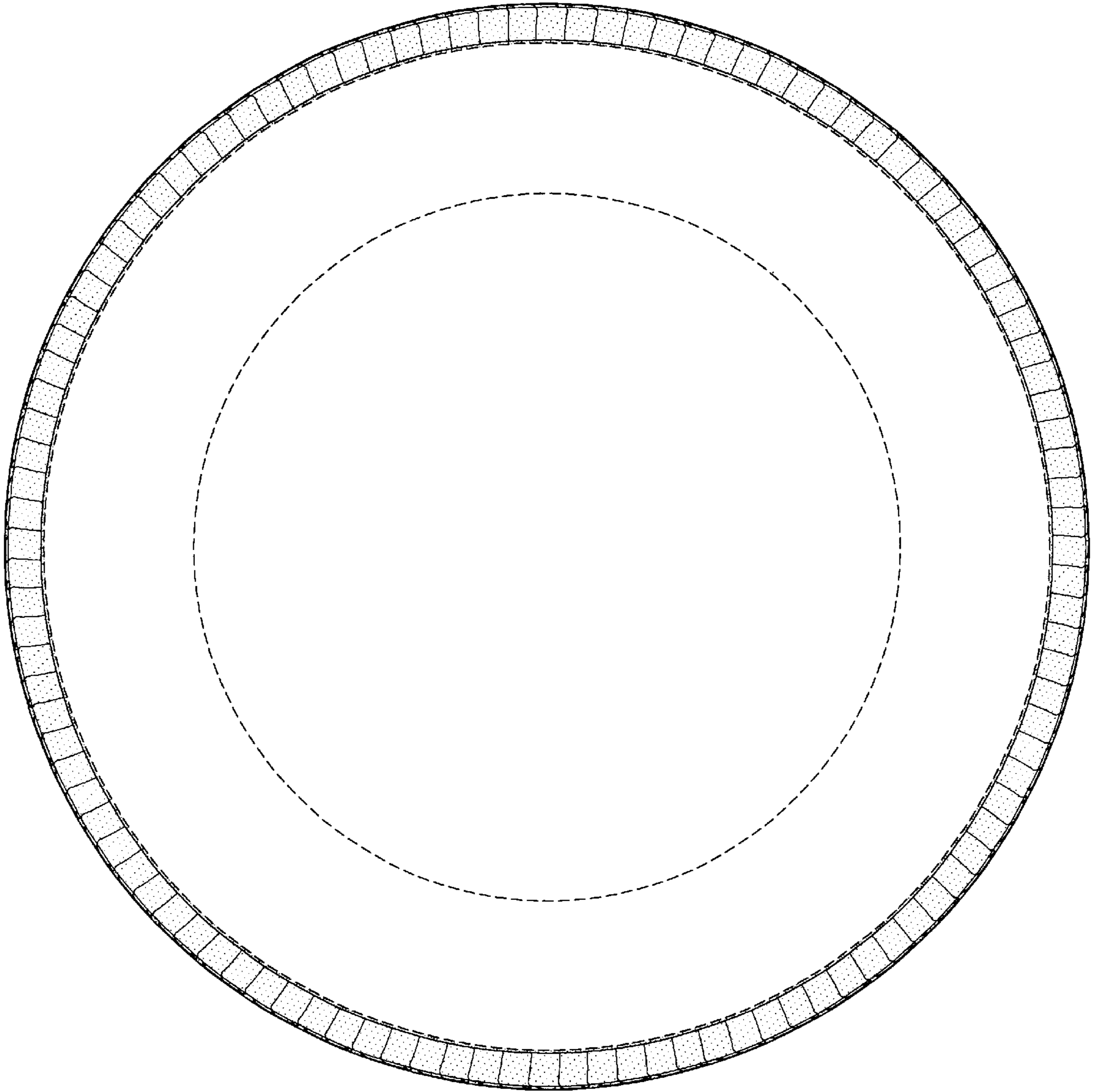


FIG-4

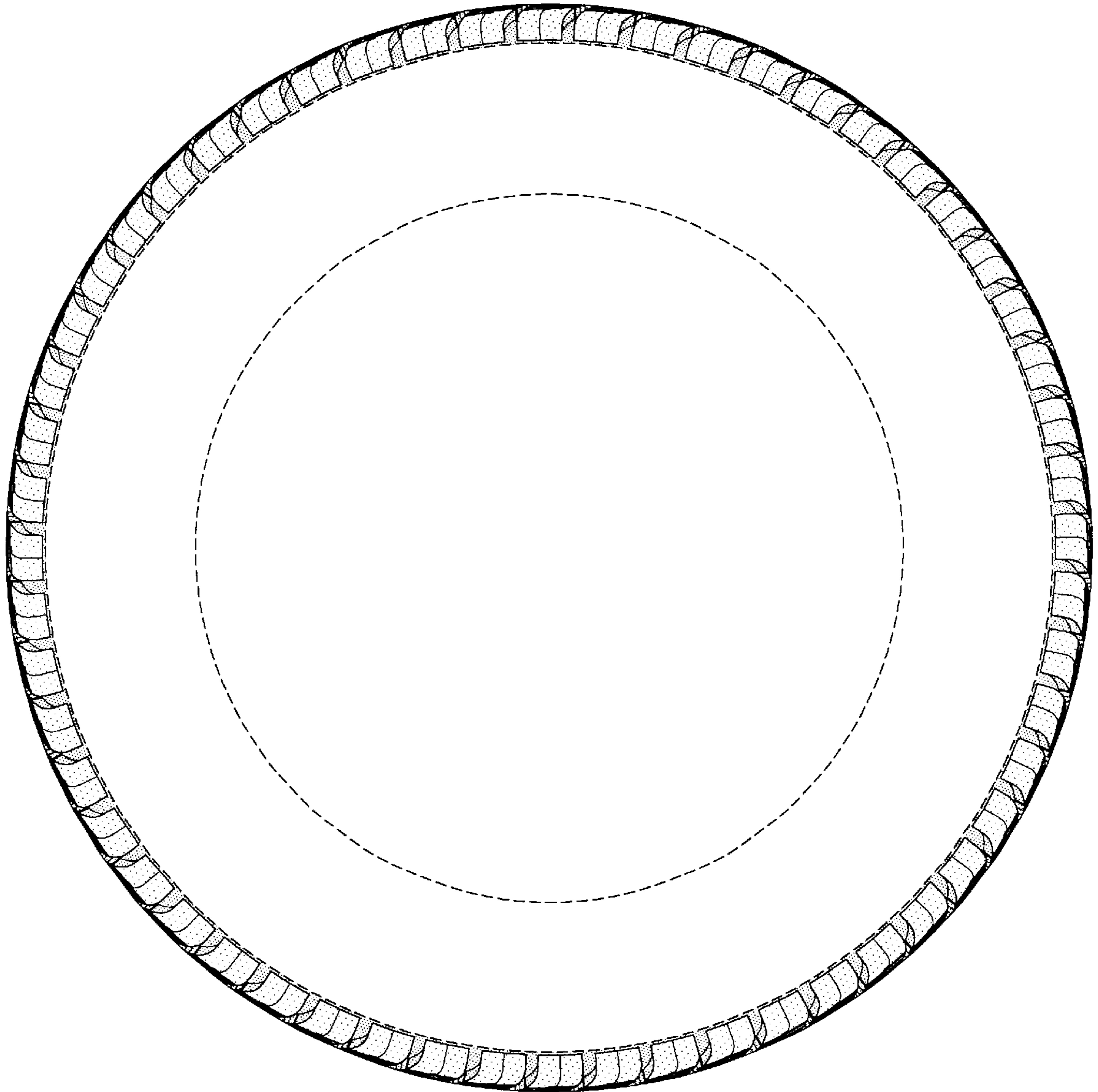


FIG-5

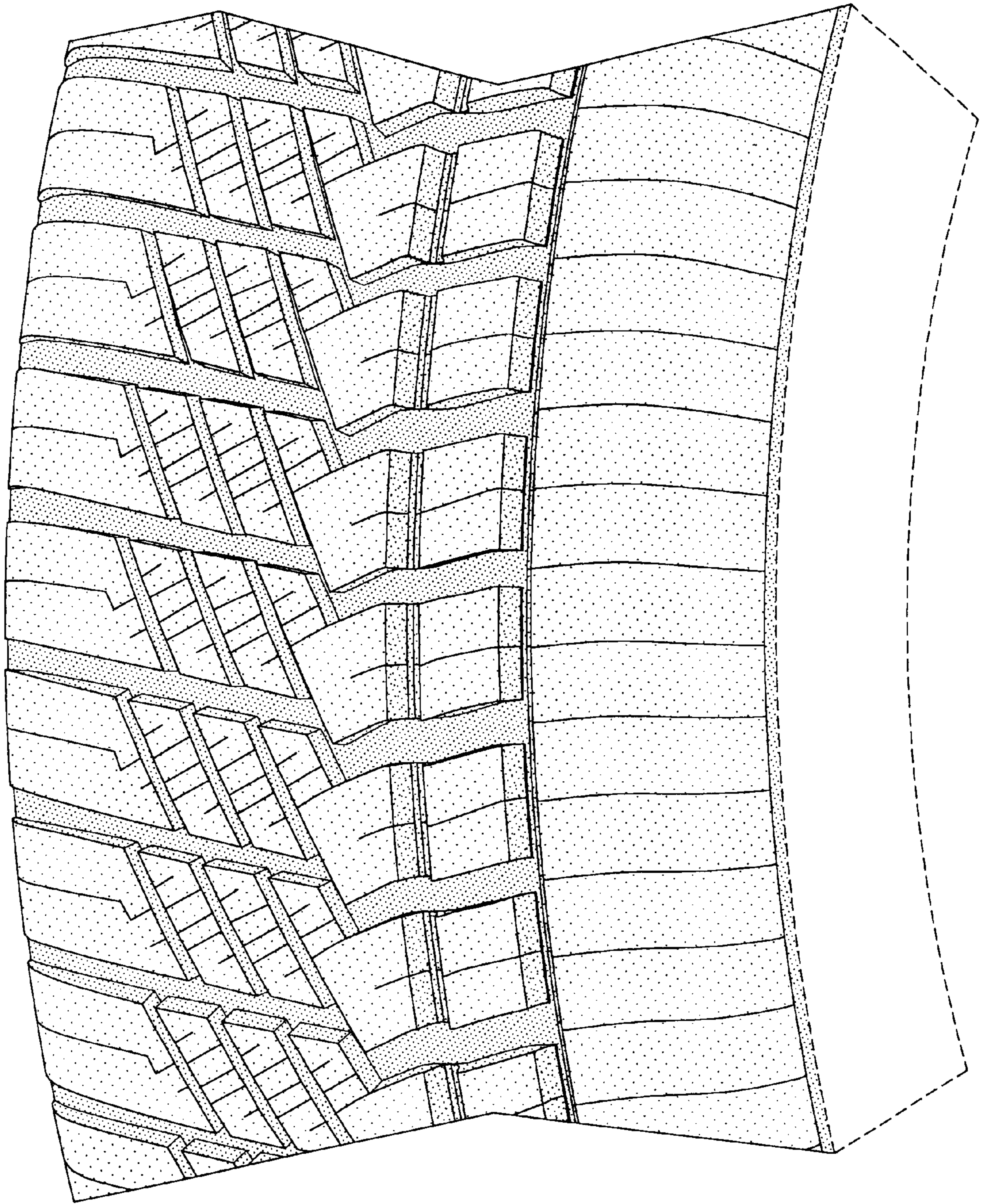


FIG-6