



US00D444422S

(12) **United States Design Patent**
Cheng

(10) **Patent No.:** **US D444,422 S**

(45) **Date of Patent:** **** Jul. 3, 2001**

(54) **ELECTRIC 3-WHEEL WHEELCHAIR**

D. 403,279 * 12/1998 Wu D12/131
5,238,082 * 8/1993 Stegeman et al. 180/208

(76) Inventor: **Min-Hsiung Cheng**, 2/F, Block 3, Wah
Lai Industrial Centre, 10-14 Kwei Tei
Street, Fo Tan, Shatin, New Territories
(HK)

* cited by examiner

Primary Examiner—Kay H. Chin

(74) *Attorney, Agent, or Firm*—Rosenberg, Klein & Lee

(**) Term: **14 Years**

(57) **CLAIM**

(21) Appl. No.: **29/130,457**

The ornamental design for a electric 3-wheel wheelchair, as
shown and described.

(22) Filed: **Oct. 3, 2000**

DESCRIPTION

(51) **LOC (7) Cl.** **12-12**

(52) **U.S. Cl.** **D12/131; D12/128**

(58) **Field of Search** D12/128-133;
280/250.1, 304.1; 180/6.5, 65.1, 65.6, 21,
907, 908, 326; 297/DIG. 4

FIG. 1 is a perspective view of a electric 3-wheel wheelchair
showing my new design;
FIG. 2 is a top plain view thereof;
FIG. 3 is a bottom plain view thereof;
FIG. 4 is a left side elevational view thereof;
FIG. 5 is a right side elevational view thereof;
FIG. 6 is a front elevational view thereof; and,
FIG. 7 is a rear elevational view thereof.

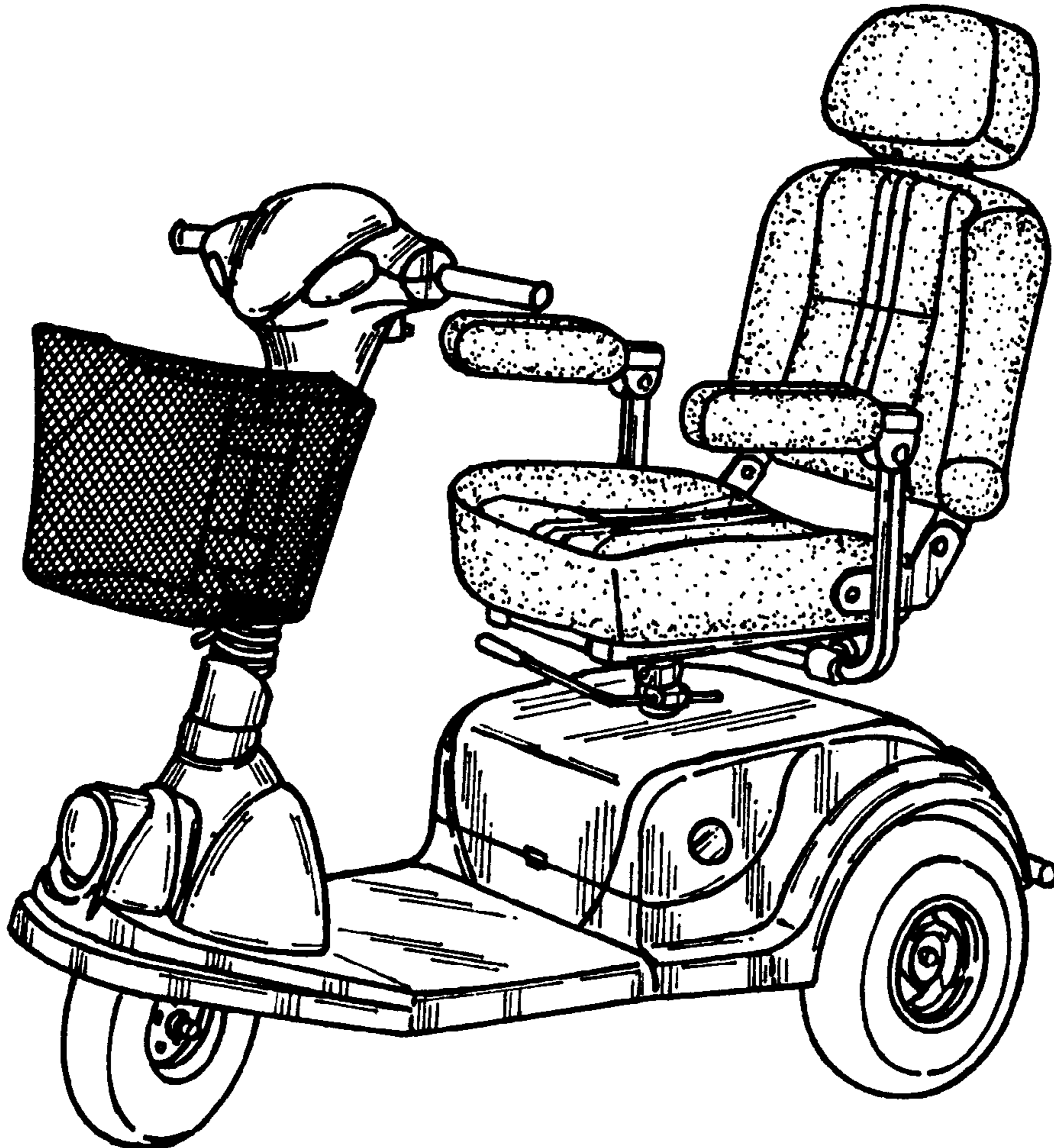
(56) **References Cited**

U.S. PATENT DOCUMENTS

D. 325,892 * 5/1992 Nesterick et al. D12/131

D. 401,190 * 11/1998 Krause D12/128

1 Claim, 4 Drawing Sheets



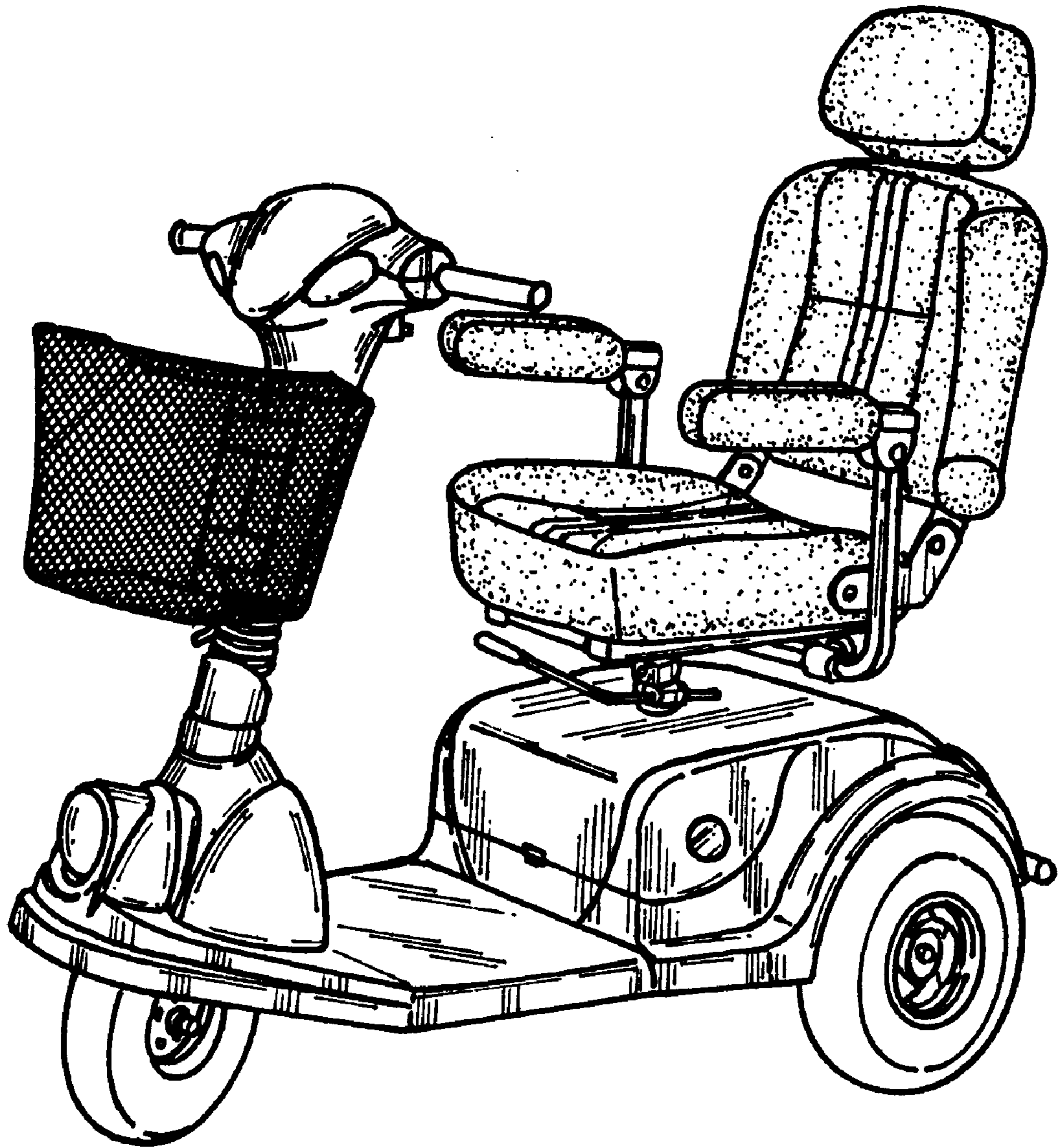


FIG. 1

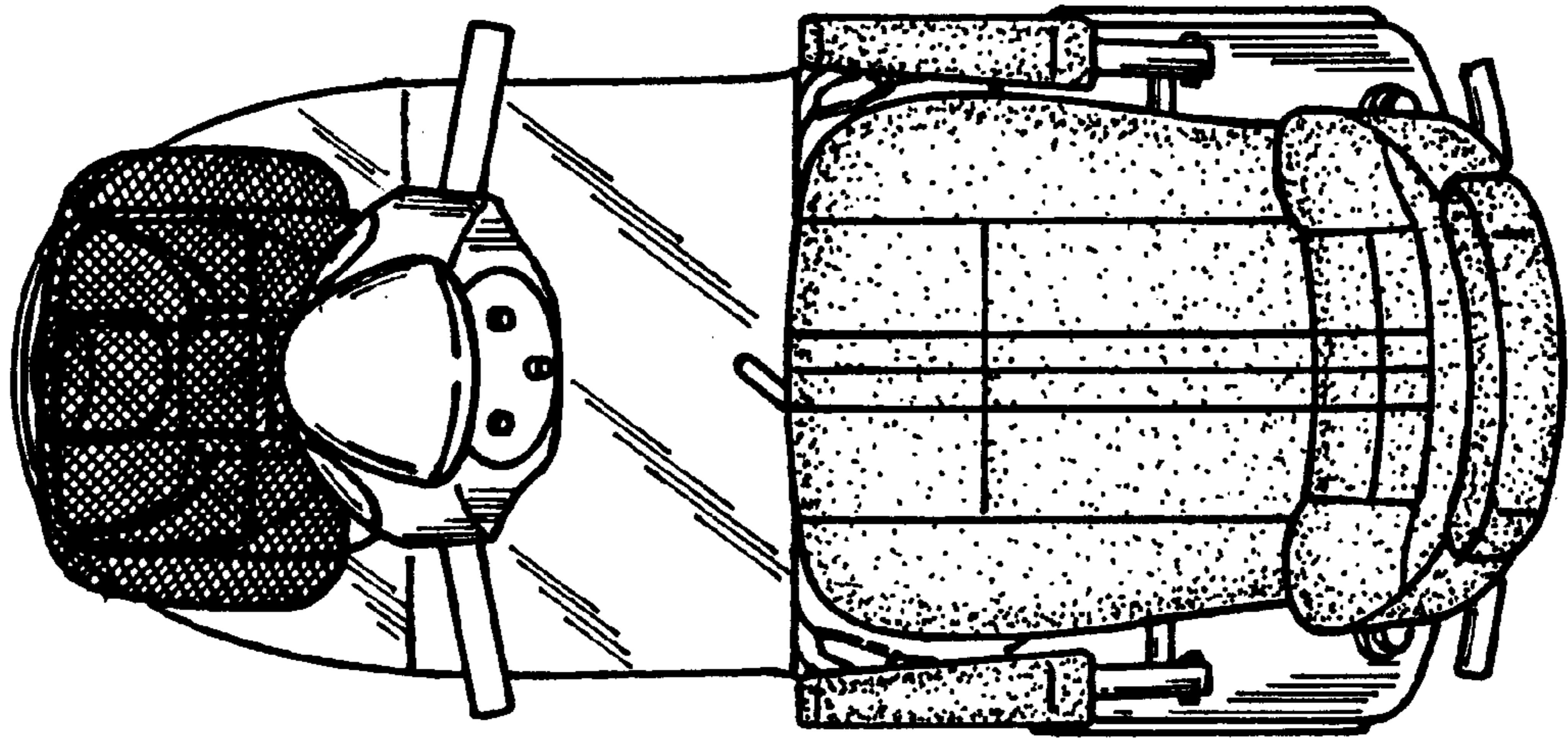


FIG. 2

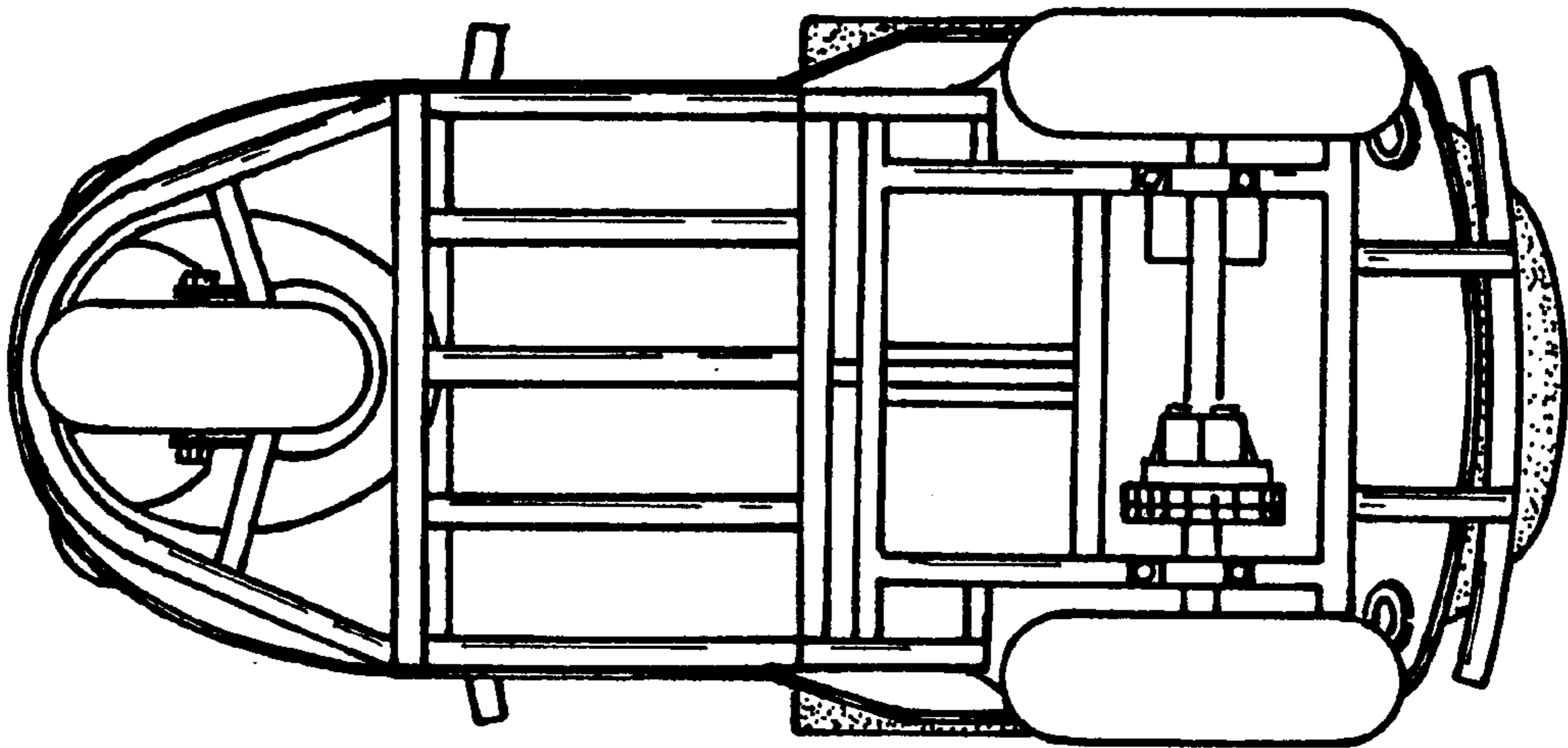


FIG. 3

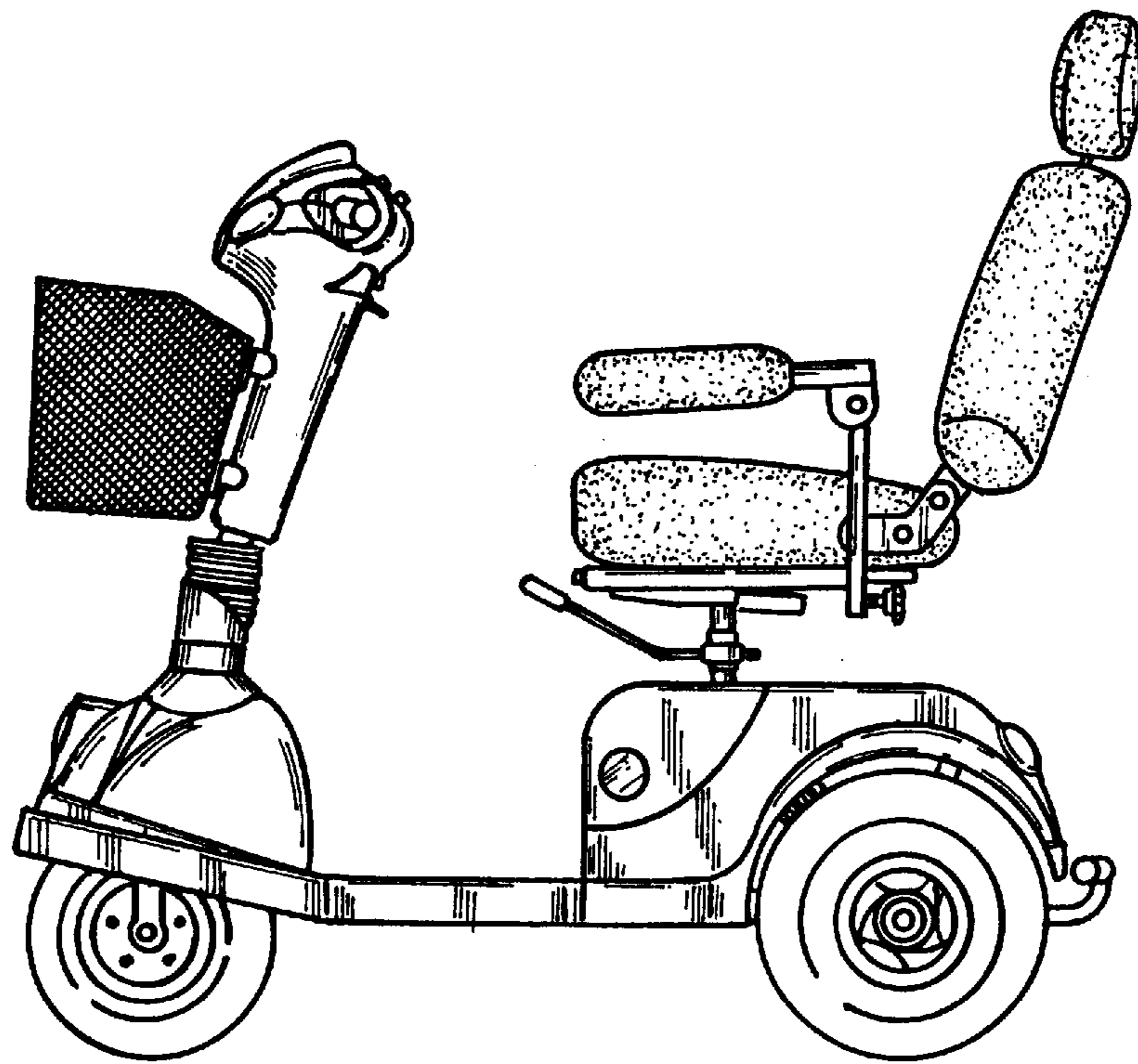


FIG. 4

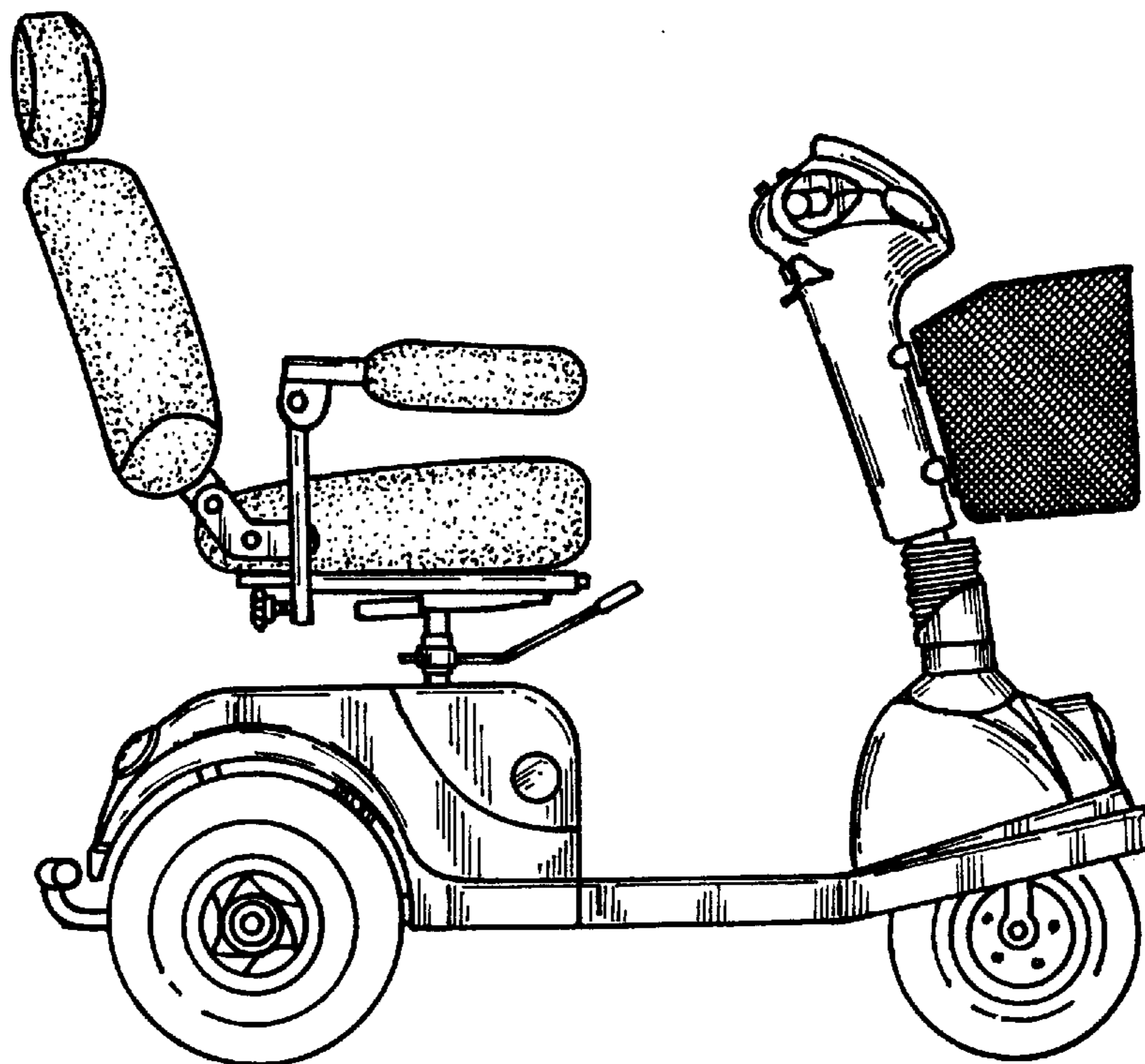


FIG. 5

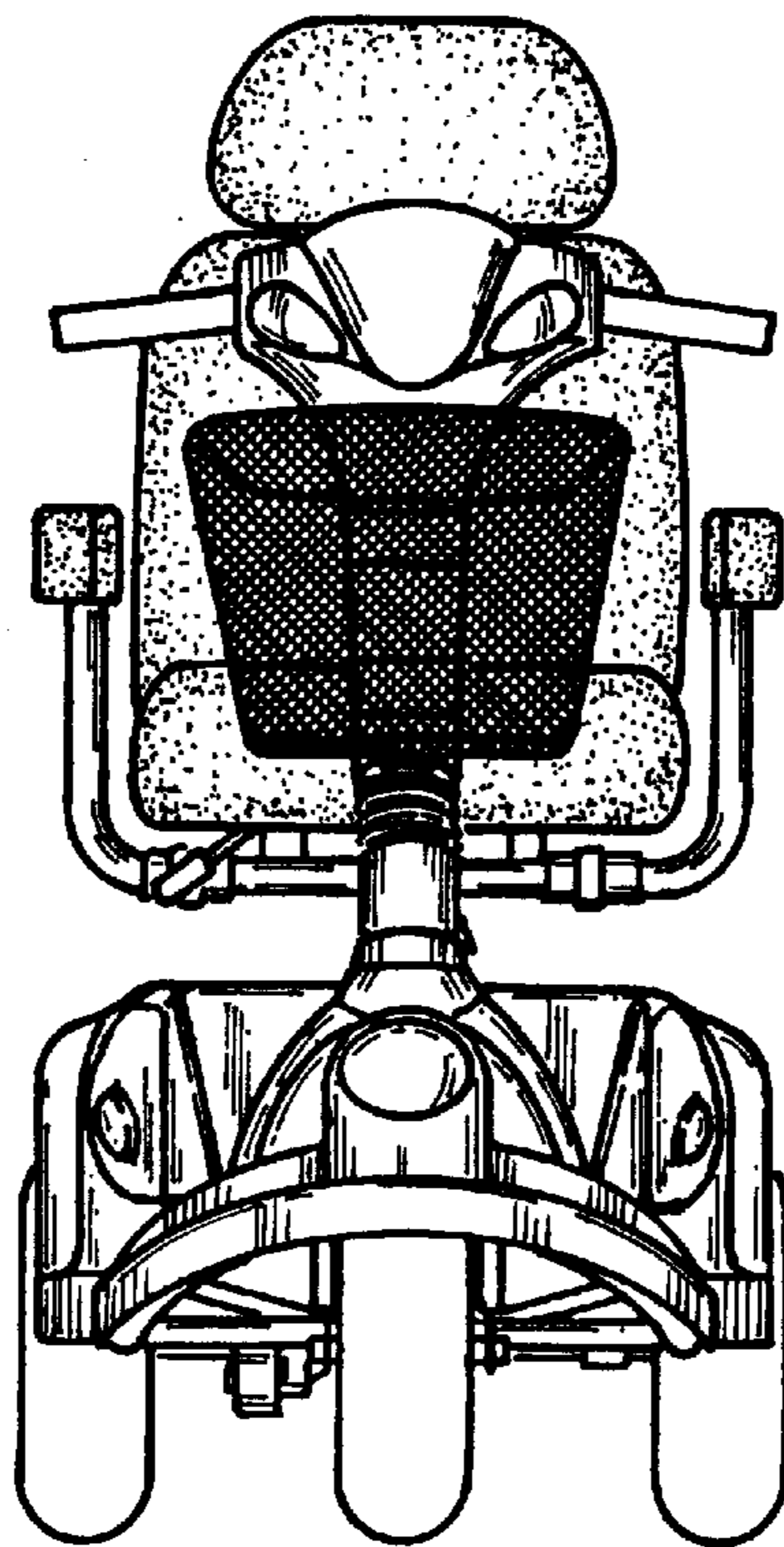


FIG. 6

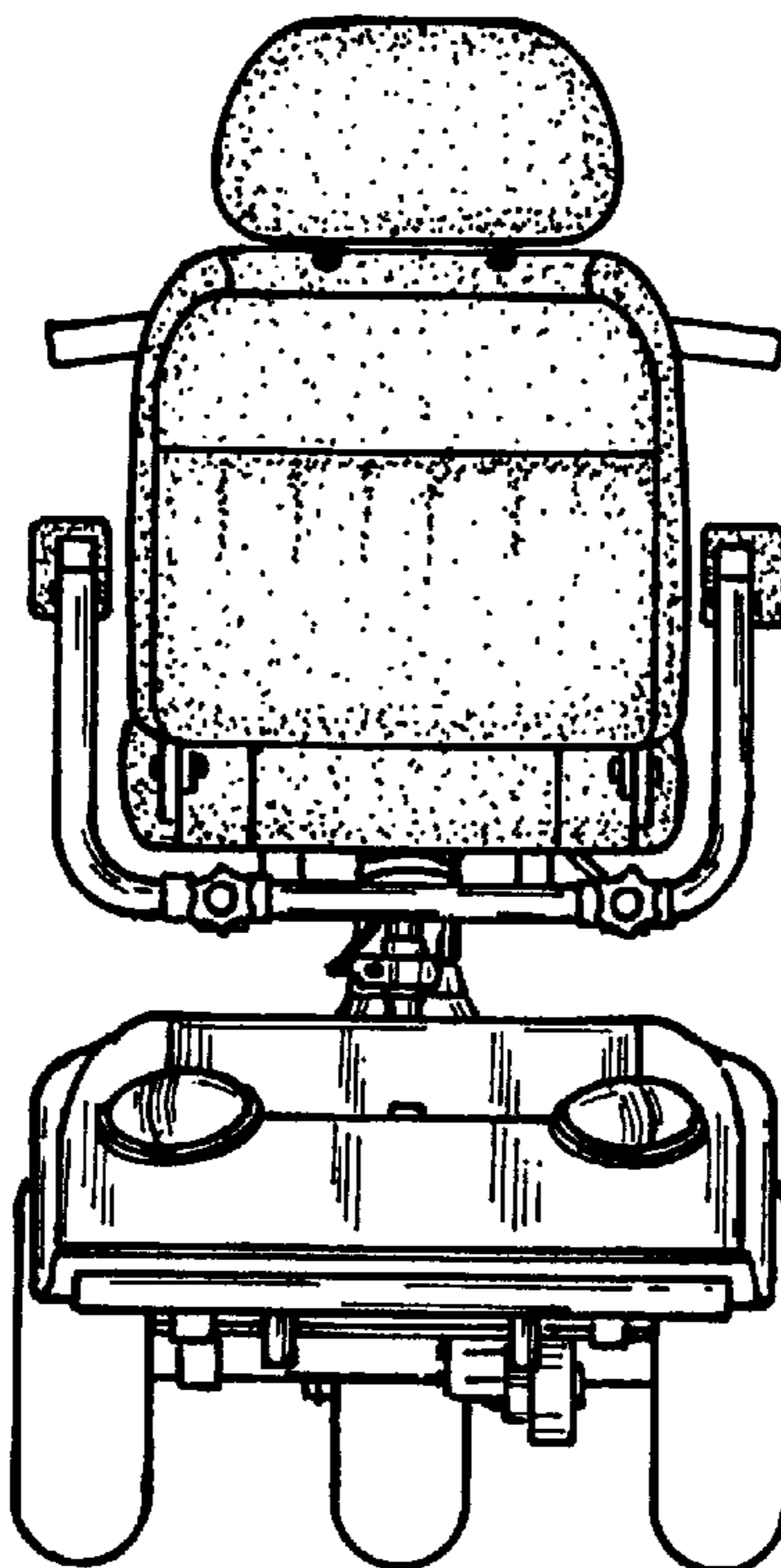


FIG. 7