



US00D444405S

(12) **United States Design Patent** (10) **Patent No.:** **US D444,405 S**
So (45) **Date of Patent:** **** Jul. 3, 2001**

(54) **BUZZER FOR TRAINING ANIMAL**

* cited by examiner

(76) Inventor: **Ho-Yun So**, 8-106, Kwangjang Apt.,
28, Youido-dong, Yongdungpo-gu,
Seoul, 150-010 (KR)

Primary Examiner—Marcus A. Jackson
(74) *Attorney, Agent, or Firm*—Mathews, Collins,
Shepherd & Gould, P.A.

(**) Term: **14 Years**

(57) **CLAIM**

(21) Appl. No.: **29/130,567**

The ornamental design for the buzzer for training animal, as shown and described.

(22) Filed: **Oct. 4, 2000**

DESCRIPTION

(30) **Foreign Application Priority Data**

Sep. 4, 2000 (KR) 00-22941

The buzzer for training an animal is made of metal and synthetic resins and is attached to the animal necklace with the animal training device so that the sound is outputted for acknowledging the position of animal.

(51) **LOC (7) Cl.** **10-05**

(52) **U.S. Cl.** **D10/116**

(58) **Field of Search** D10/104, 106,
D10/116, 121; 340/384.1, 384.3, 384.7,
392.1, 388.1, 390.1, 391.1, 392.2

FIG. 1 is a Perspective view of the buzzer for training animal showing the new design;

FIG. 2 is a Front view thereof;

FIG. 3 is a Rear view thereof;

FIG. 4 is a Left-side plan view thereof;

FIG. 5 is a Right-side view thereof;

FIG. 6 is a Plane view thereof;

FIG. 7 is a Bottom plan view thereof; and,

FIG. 8 is a Reference view thereof.

(56) **References Cited**

U.S. PATENT DOCUMENTS

- D. 400,458 * 11/1998 Titus et al. D10/104
- D. 417,410 * 12/1999 De Tracy et al. D10/104
- D. 420,301 * 2/2000 Henderson D10/104
- D. 430,813 * 9/2000 Watanabe D10/116

1 Claim, 3 Drawing Sheets

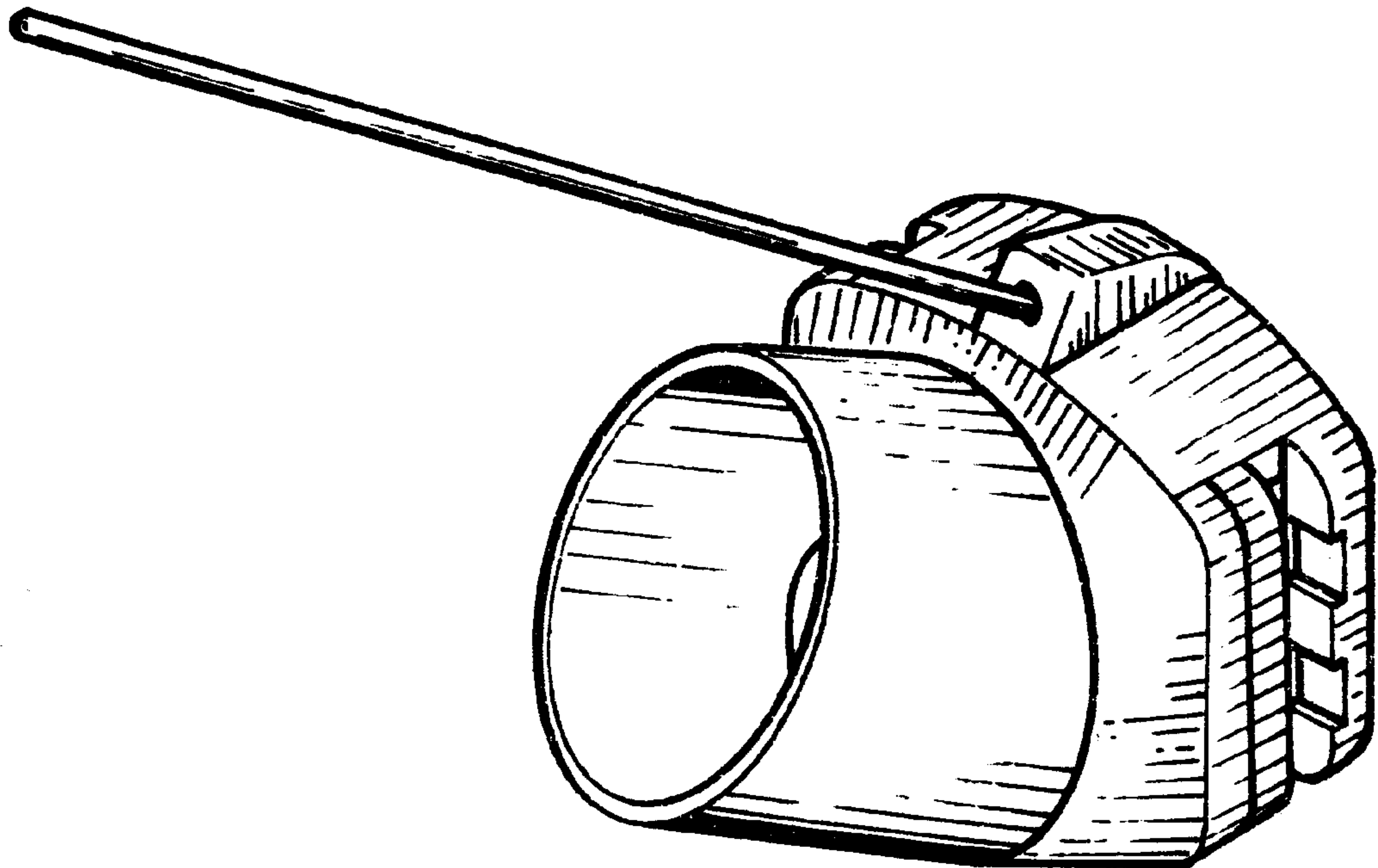


FIG. 1

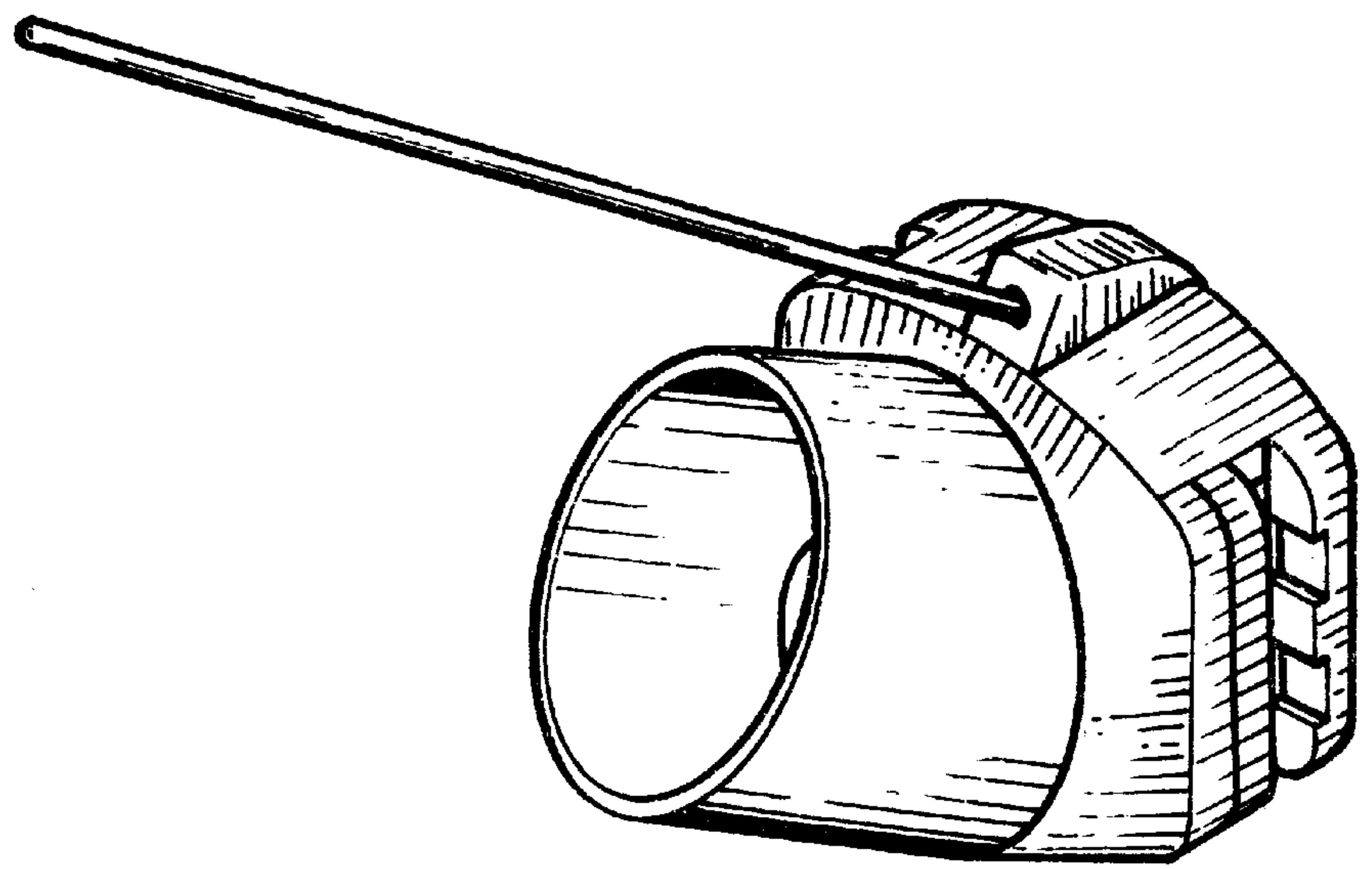


FIG.2

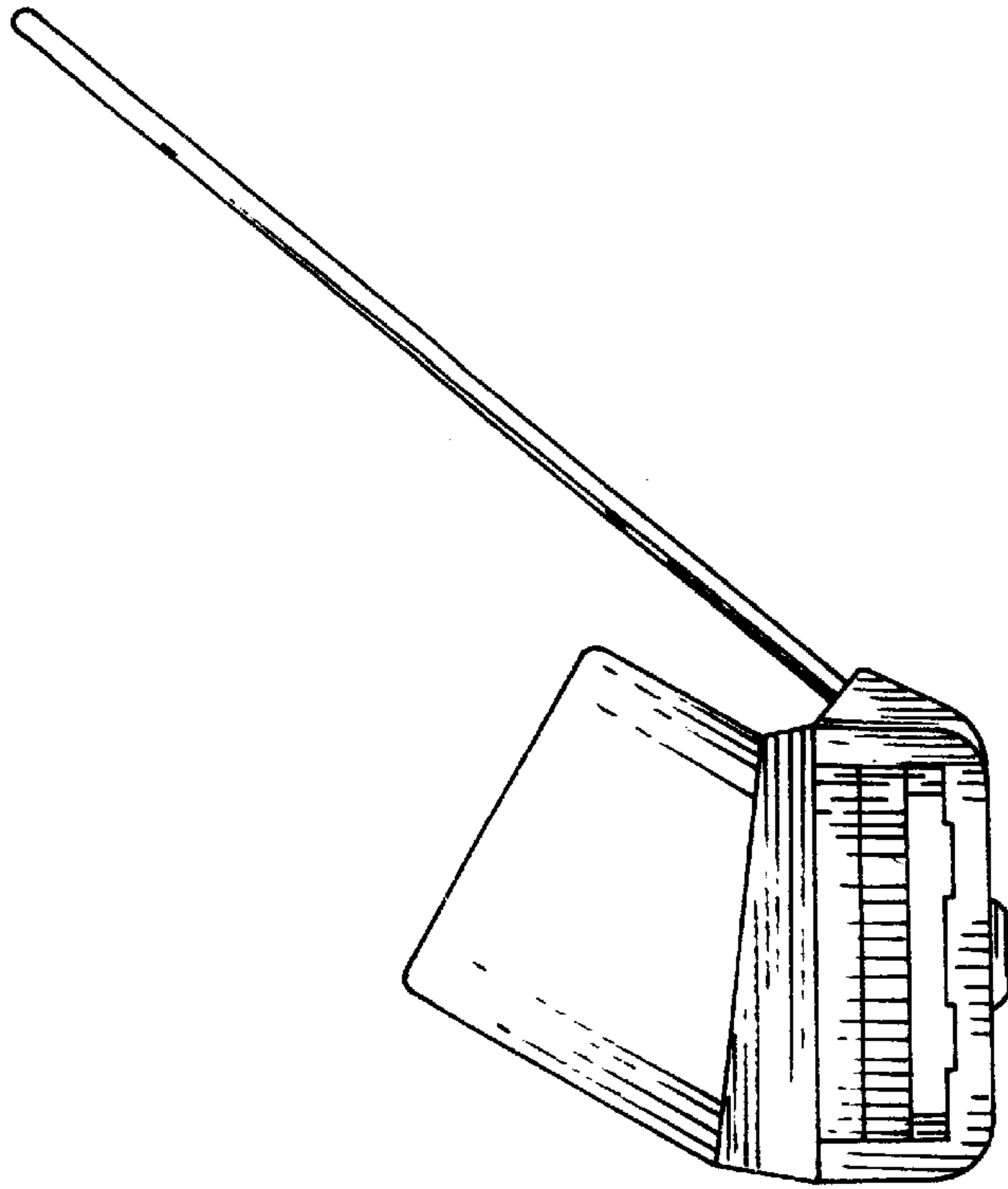


FIG.3

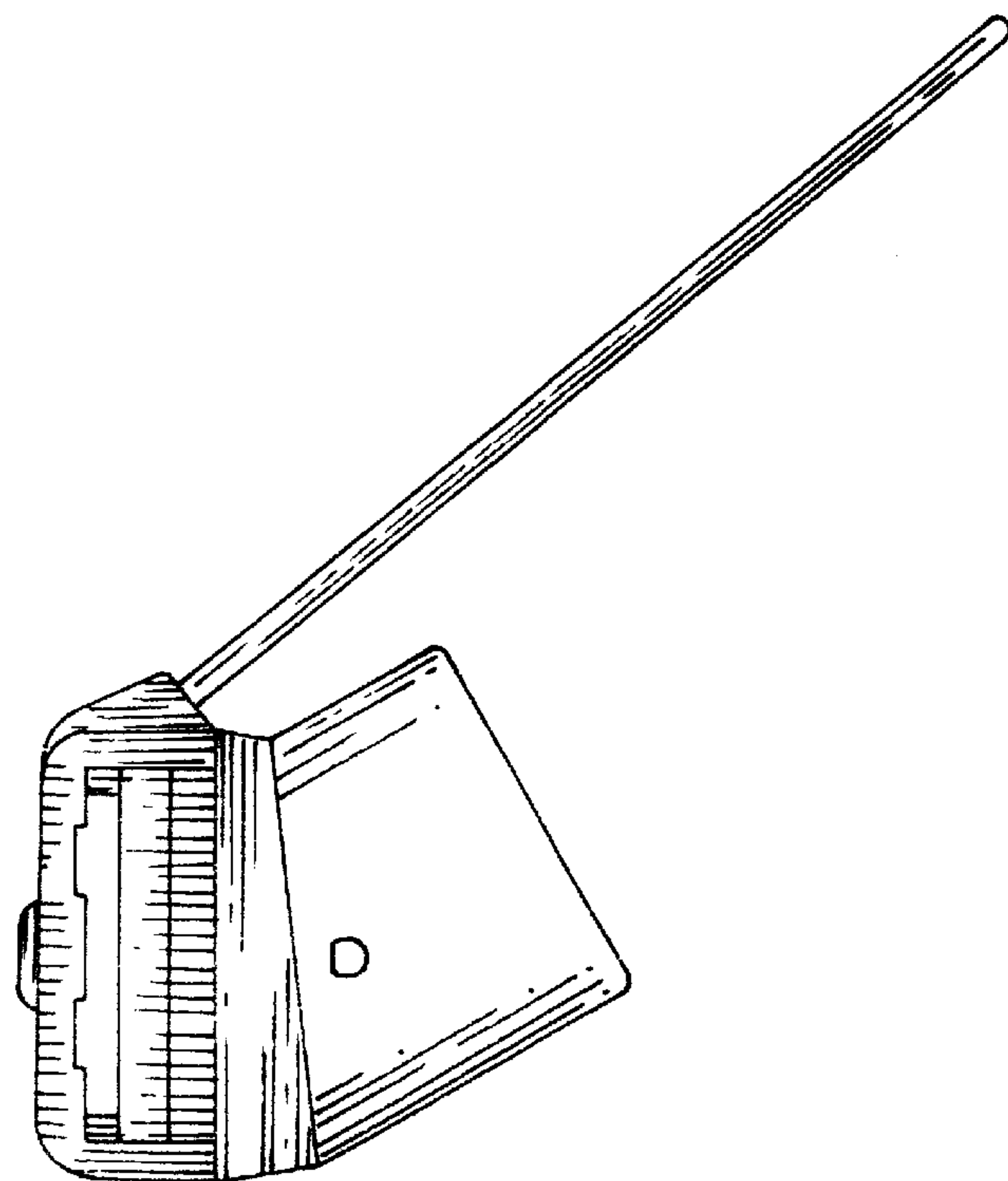


FIG.4

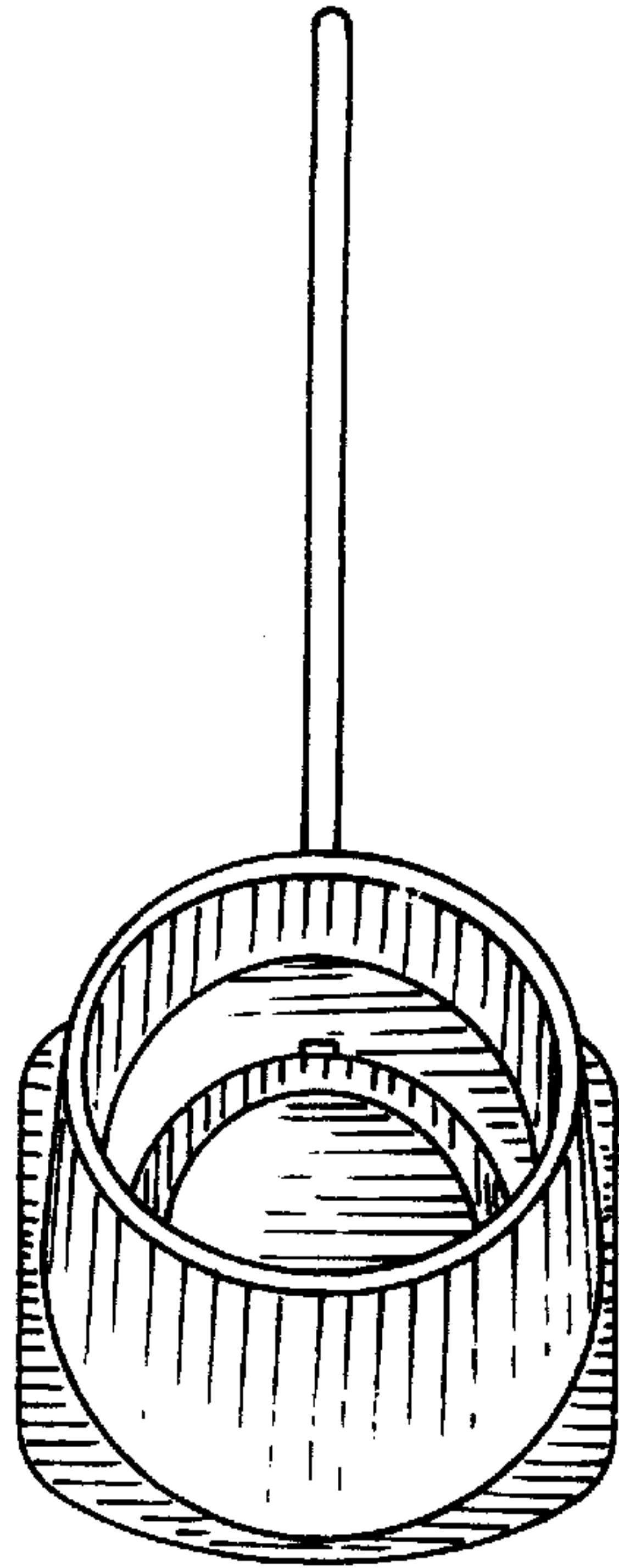


FIG.5

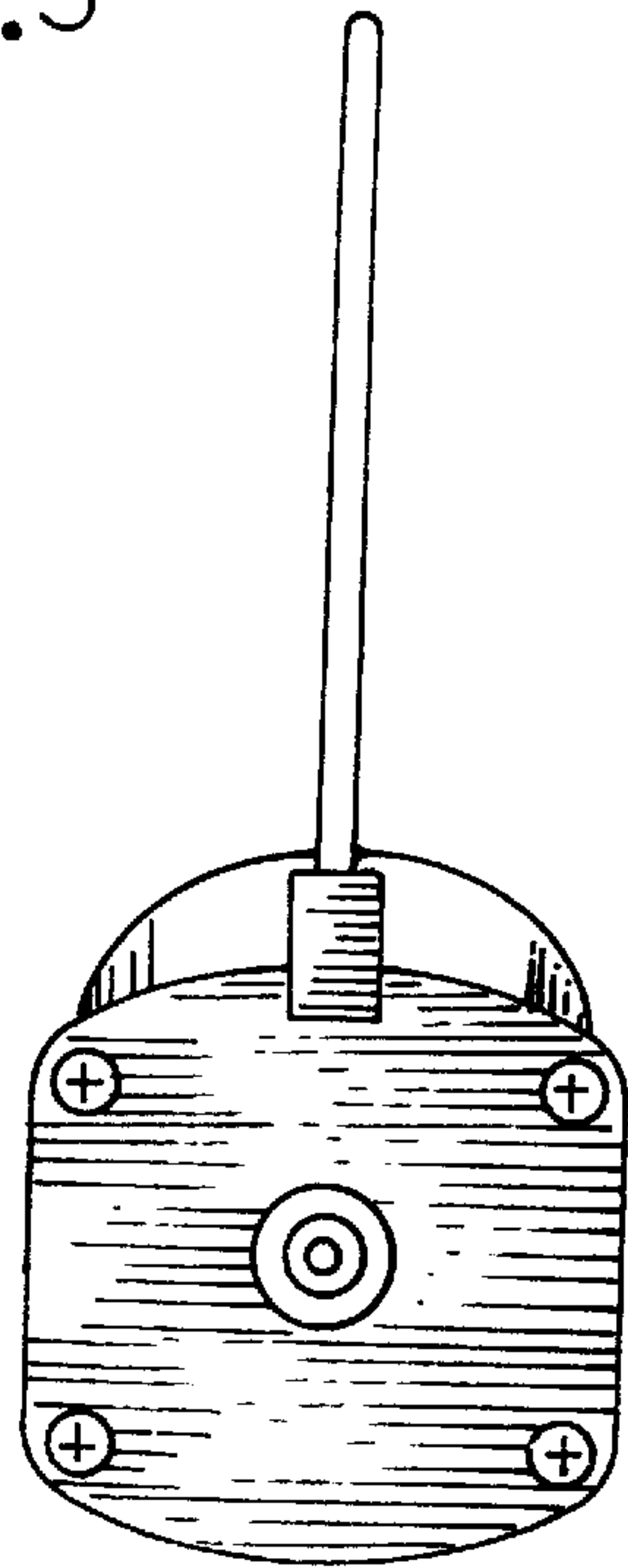


FIG.6

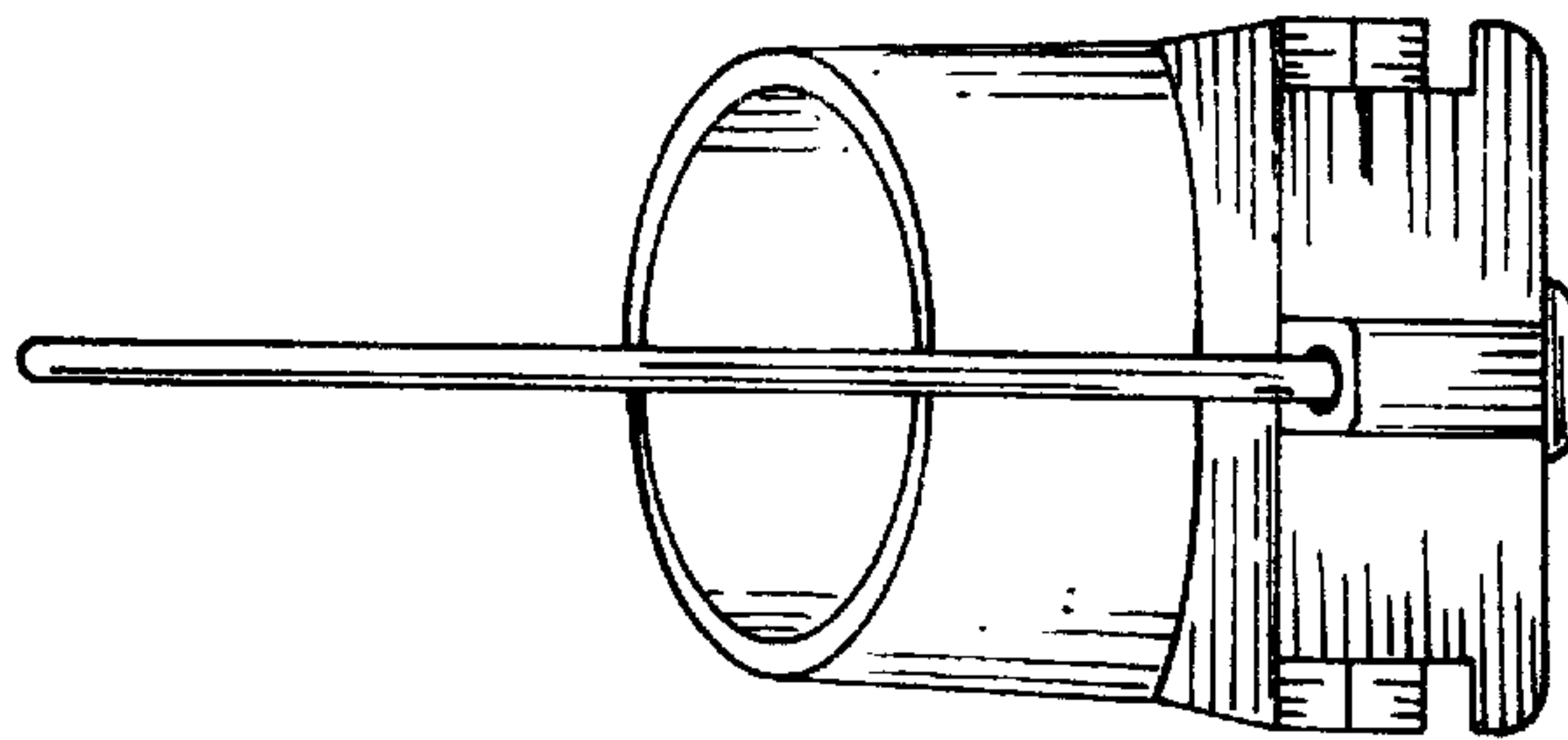


FIG.7

