



US00D444404S

(12) **United States Design Patent**
Bryant

(10) **Patent No.:** **US D444,404 S**

(45) **Date of Patent:** **** Jul. 3, 2001**

(54) **LANDING ZONE COMMAND POST TOWER**

(76) **Inventor:** **Phillip L. Bryant**, P.O. Box -1103, Mt. Pleasant, NC (US) 28124

(**) **Term:** **14 Years**

(21) **Appl. No.:** **29/127,023**

(22) **Filed:** **Jul. 31, 2000**

(51) **LOC (7) Cl.** **10-05**

(52) **U.S. Cl.** **D10/109**

(58) **Field of Search** D10/109, 111, D10/113, 114; 116/63 P, 63 C, 63 R; 404/5-15

(56) **References Cited**

U.S. PATENT DOCUMENTS

- D. 303,099 * 8/1989 Rolofson D10/109
- D. 389,078 * 1/1998 Freeman et al. D10/109
- 2,781,017 * 2/1957 Fuller et al. D10/109

* cited by examiner

Primary Examiner—Marcus A. Jackson
(74) Attorney, Agent, or Firm—Mineo & Whittaker; Malcolm E. Whittaker

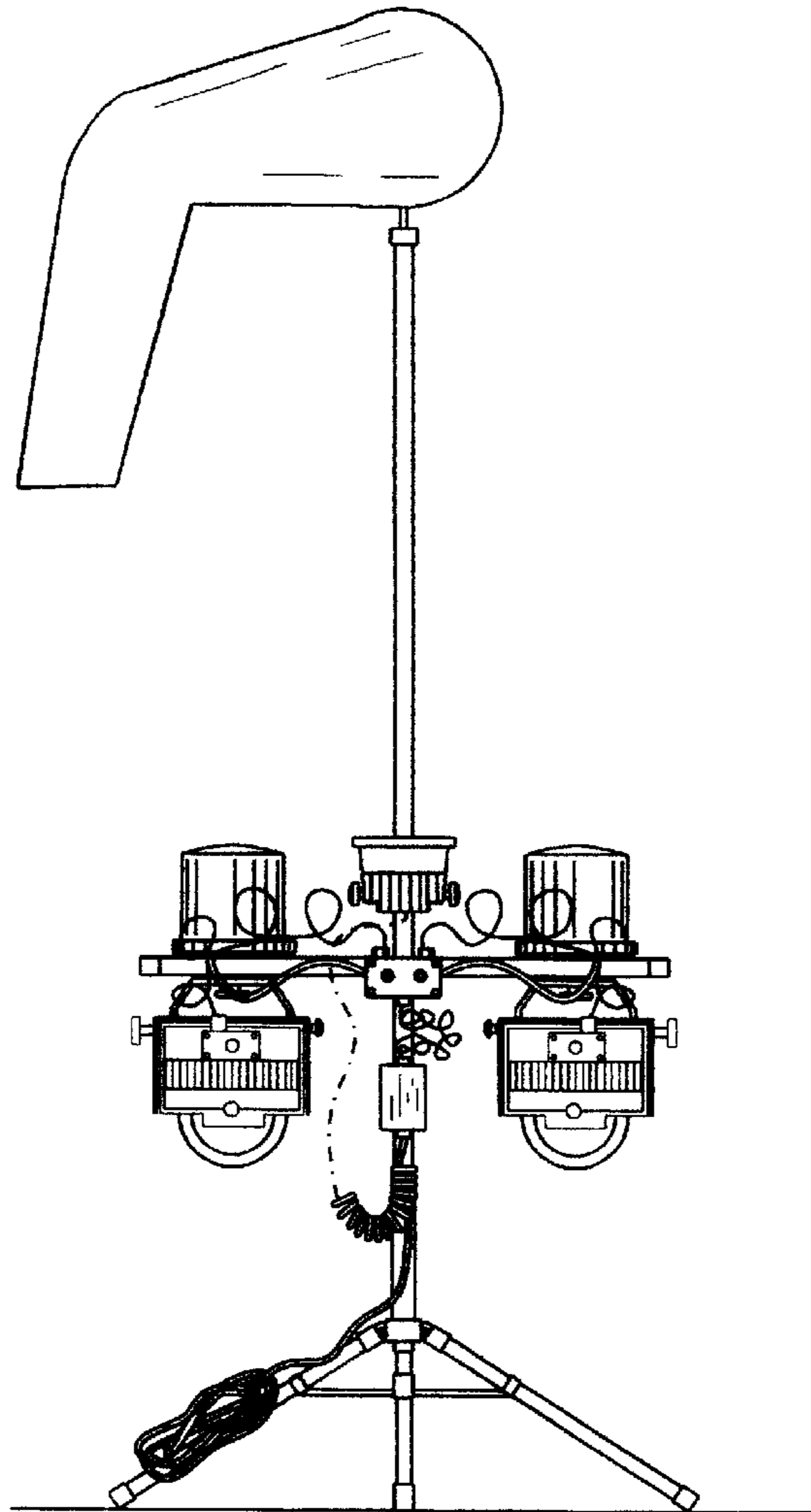
(57) **CLAIM**

The ornamental design for the landing zone command post tower, as shown and described.

DESCRIPTION

FIG. 1 is a rear view of the present invention.
FIG. 2 is a front view of the present invention.
FIG. 3 is a right side view of the present invention.
FIG. 4 is a left side view of the present invention.
FIG. 5 is a bottom view of the present invention.
FIG. 6 is a top side view of the present invention; and,
FIG. 7 is a perspective view of the present invention when it is disassembled and in a storage bag, with the storage bag showing in broken lines for illustrative purposes only and forming no part of the claimed design.

1 Claim, 4 Drawing Sheets



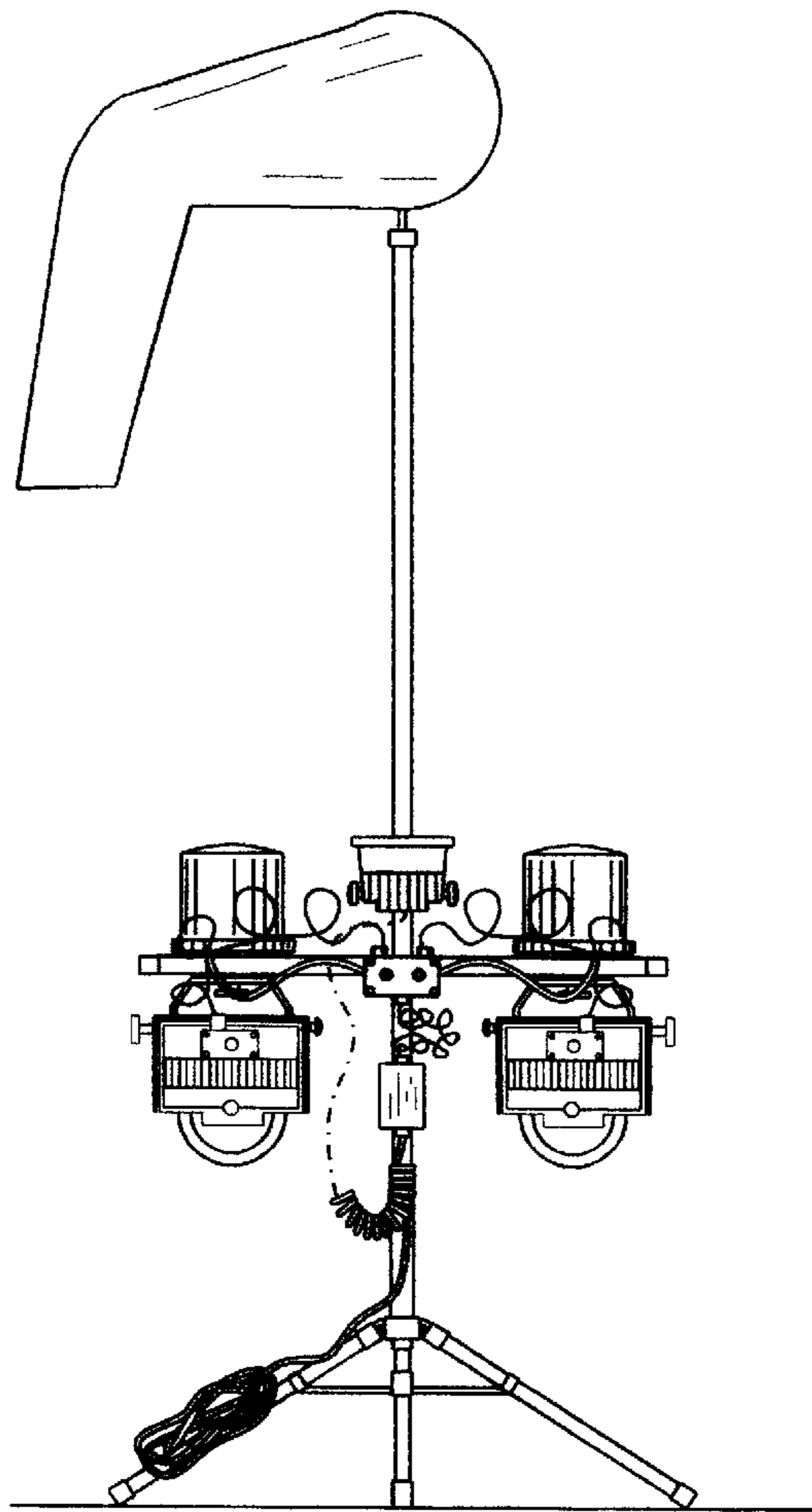


Fig. 1

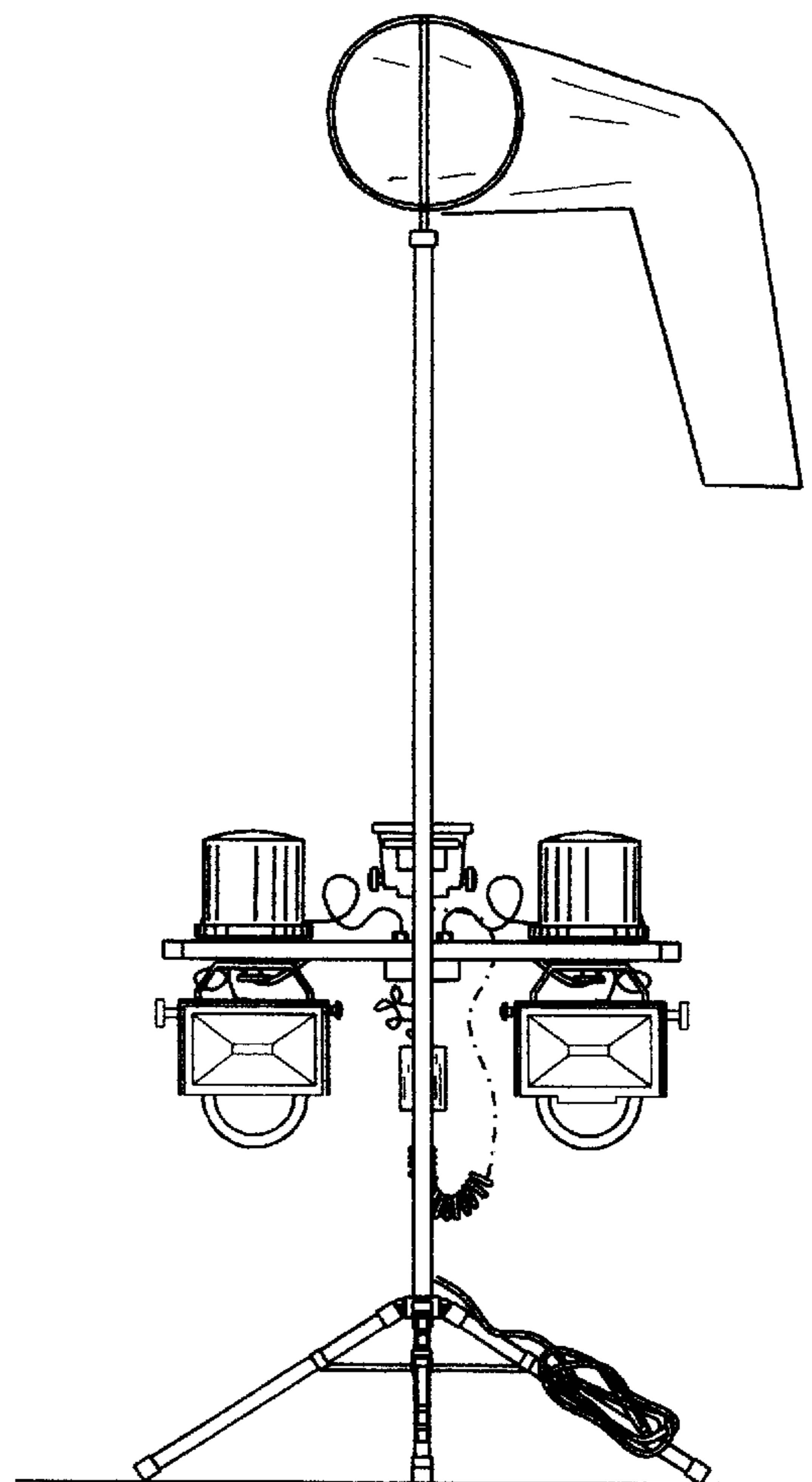


Fig. 2

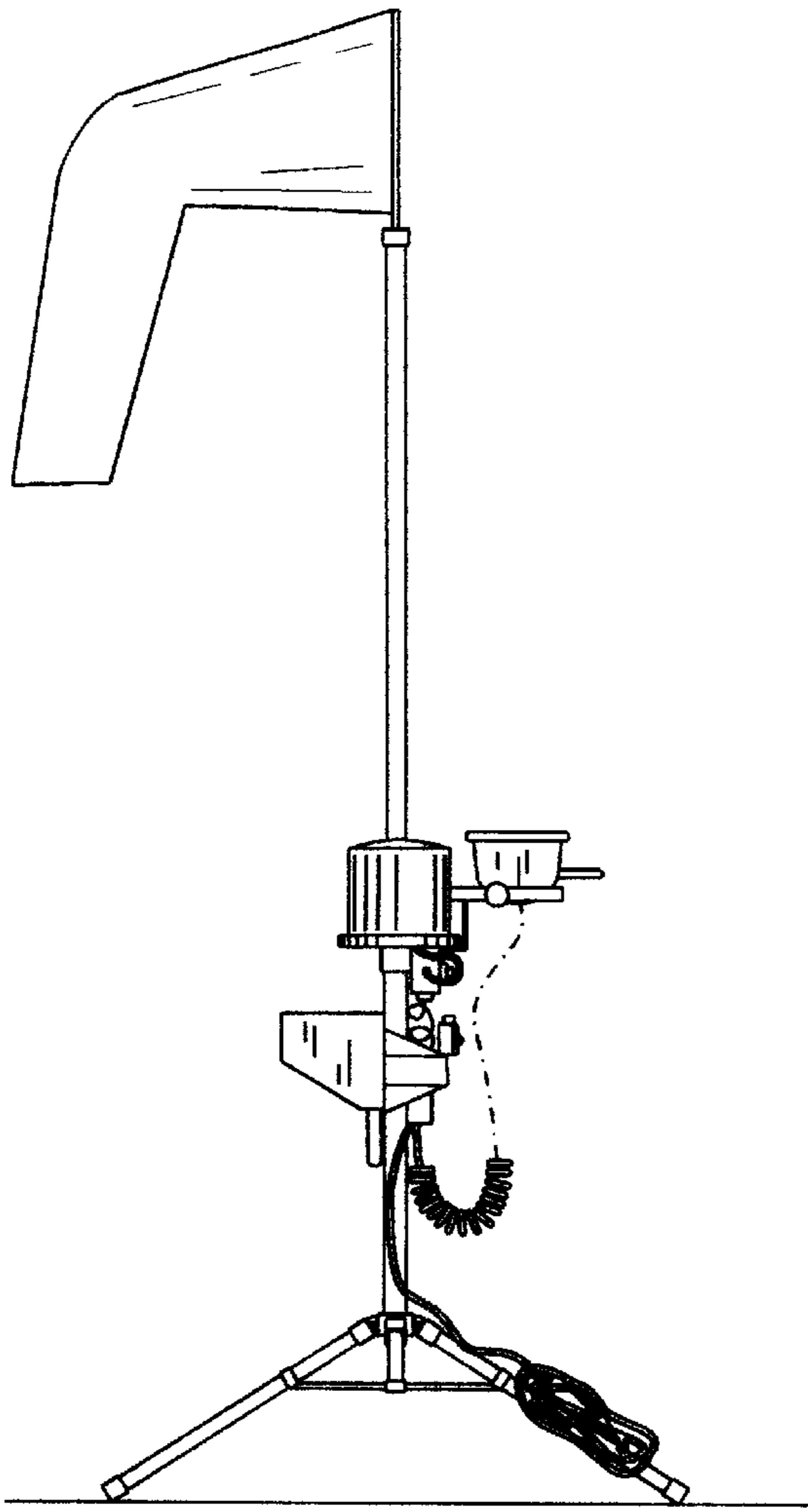


Fig. 3

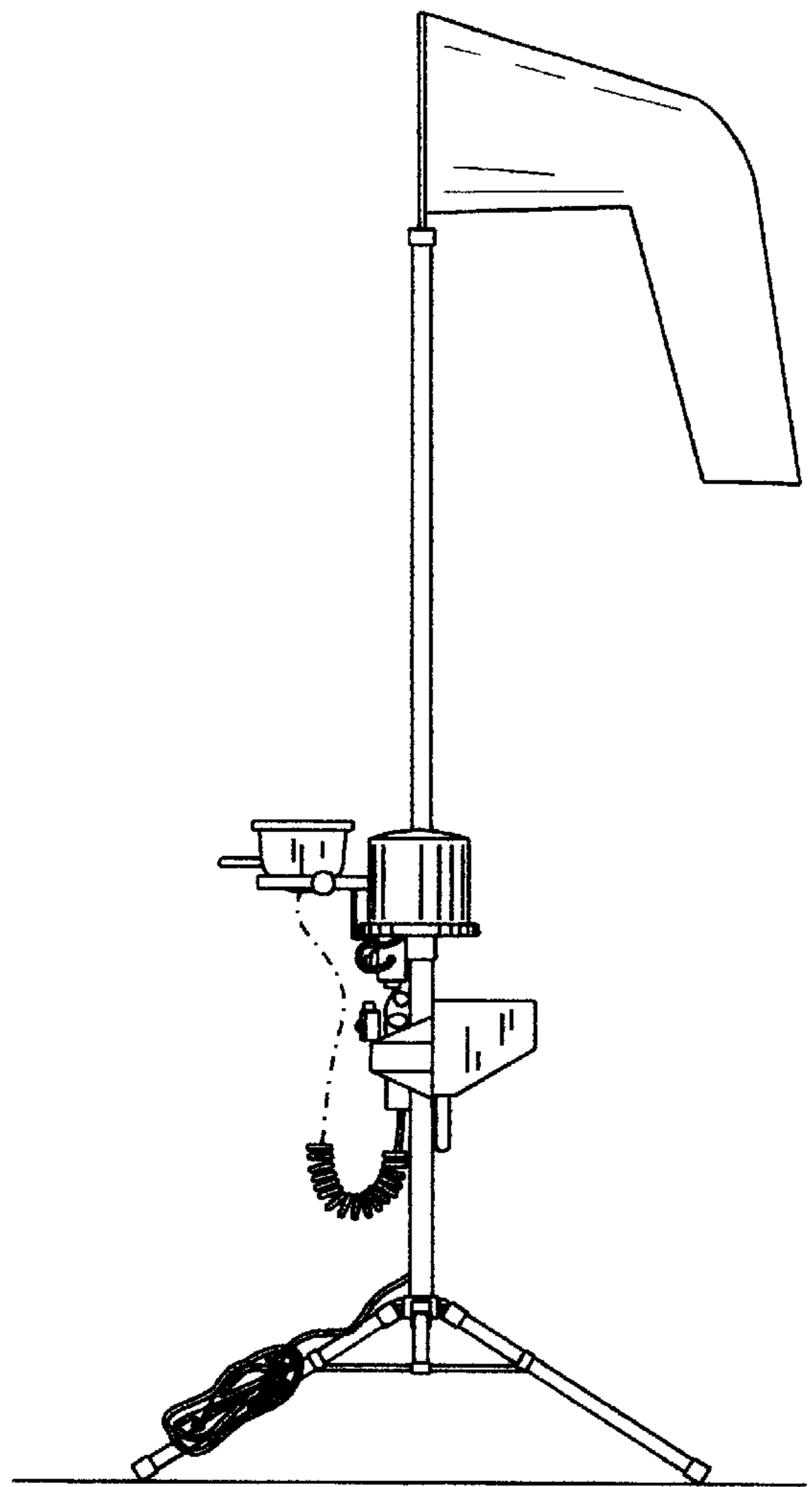


Fig. 4

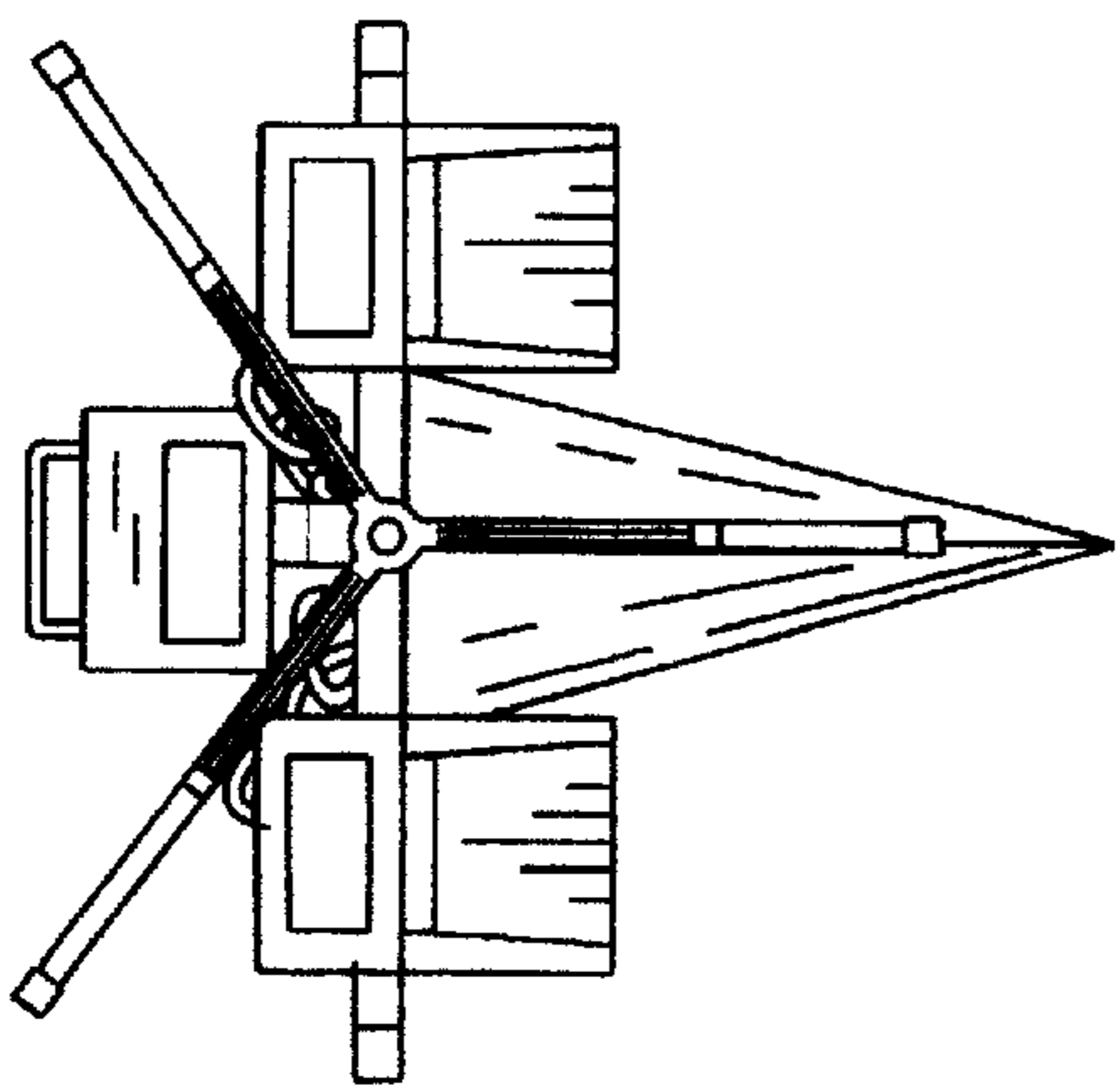


Fig. 5

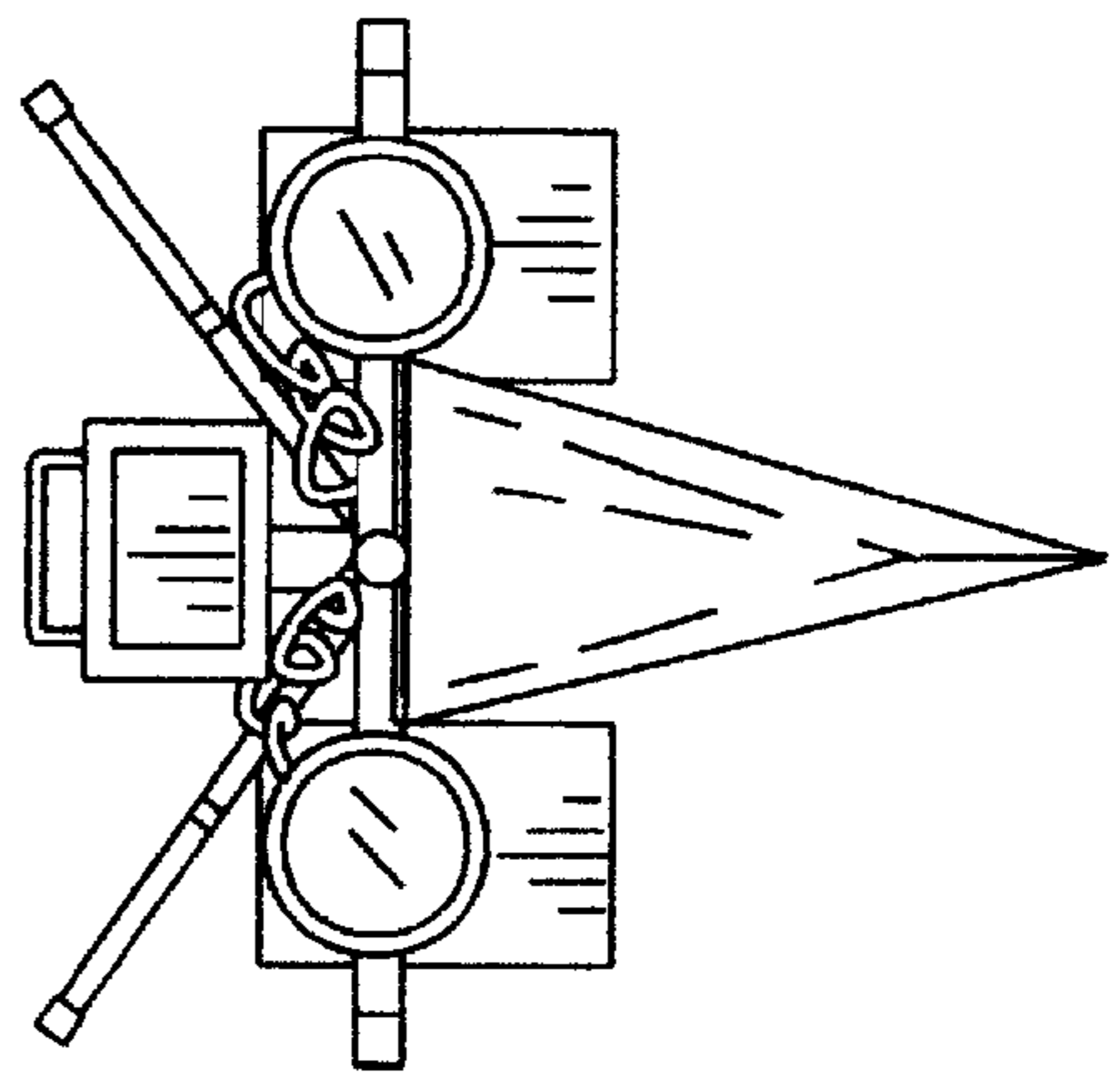


Fig. 6

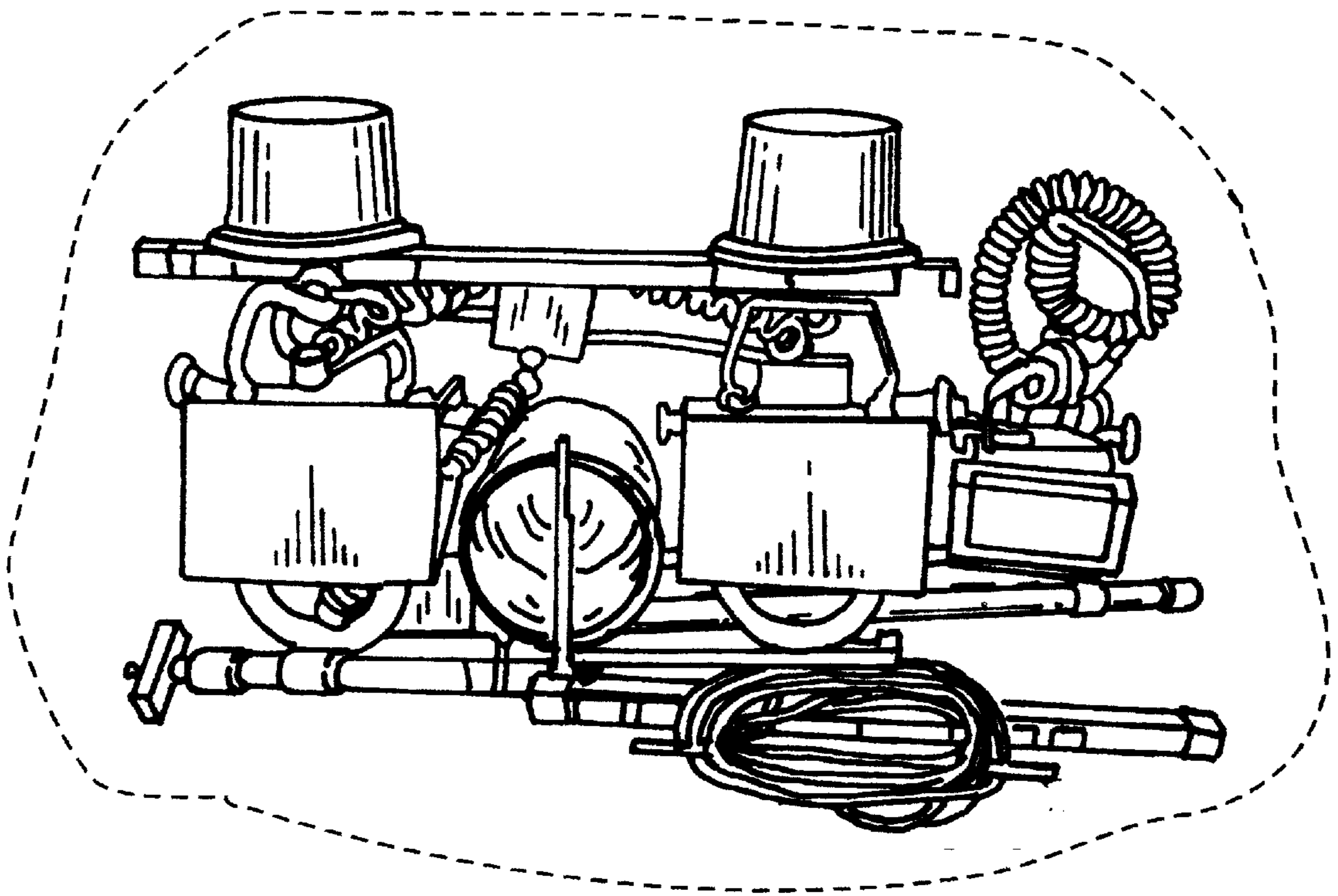


Fig. 7