



US00D444384S

(12) **United States Design Patent**  
**Crawford et al.**

(10) **Patent No.:** **US D444,384 S**

(45) **Date of Patent:** **\*\* Jul. 3, 2001**

(54) **CLOSURE**

(75) Inventors: **John C. Crawford**, Mahopac, NY  
(US); **Patrick Calello**, Roseland, NJ  
(US)

(73) Assignee: **Colgate-Palmolive Company**, New  
York, NY (US)

(\*\*) Term: **14 Years**

(21) Appl. No.: **29/123,756**

(22) Filed: **May 24, 2000**

(51) **LOC (7) Cl.** ..... **09-07**

(52) **U.S. Cl.** ..... **D9/453; D9/439**

(58) **Field of Search** ..... D9/435, 439, 443,  
D9/452, 453, 454; 215/316, 328, 355; 220/288,  
376

D. 240,716 \* 7/1976 Hegi ..... D9/440  
D. 278,311 4/1985 Brown .  
D. 398,852 \* 9/1998 Gross ..... D9/453  
3,242,522 \* 3/1966 Jass et al. .... D9/452  
5,875,907 \* 3/1999 Lay ..... 215/253

**FOREIGN PATENT DOCUMENTS**

2334759 1/1975 (DE) .  
1246904 10/1960 (FR) .  
WO 89/07682 8/1989 (WO) .

\* cited by examiner

*Primary Examiner*—Cathron Brooks

(74) *Attorney, Agent, or Firm*—Michael J. McGreal

(57) **CLAIM**

The ornamental design for a closure, as shown and described.

**DESCRIPTION**

FIG. 1 is a perspective view of the closure of our design.

FIG. 2 is a front elevation view thereof.

FIG. 3 is a rear elevation view thereof.

FIG. 4 is a side elevation view thereof.

FIG. 5 is a top plan view thereof; and,

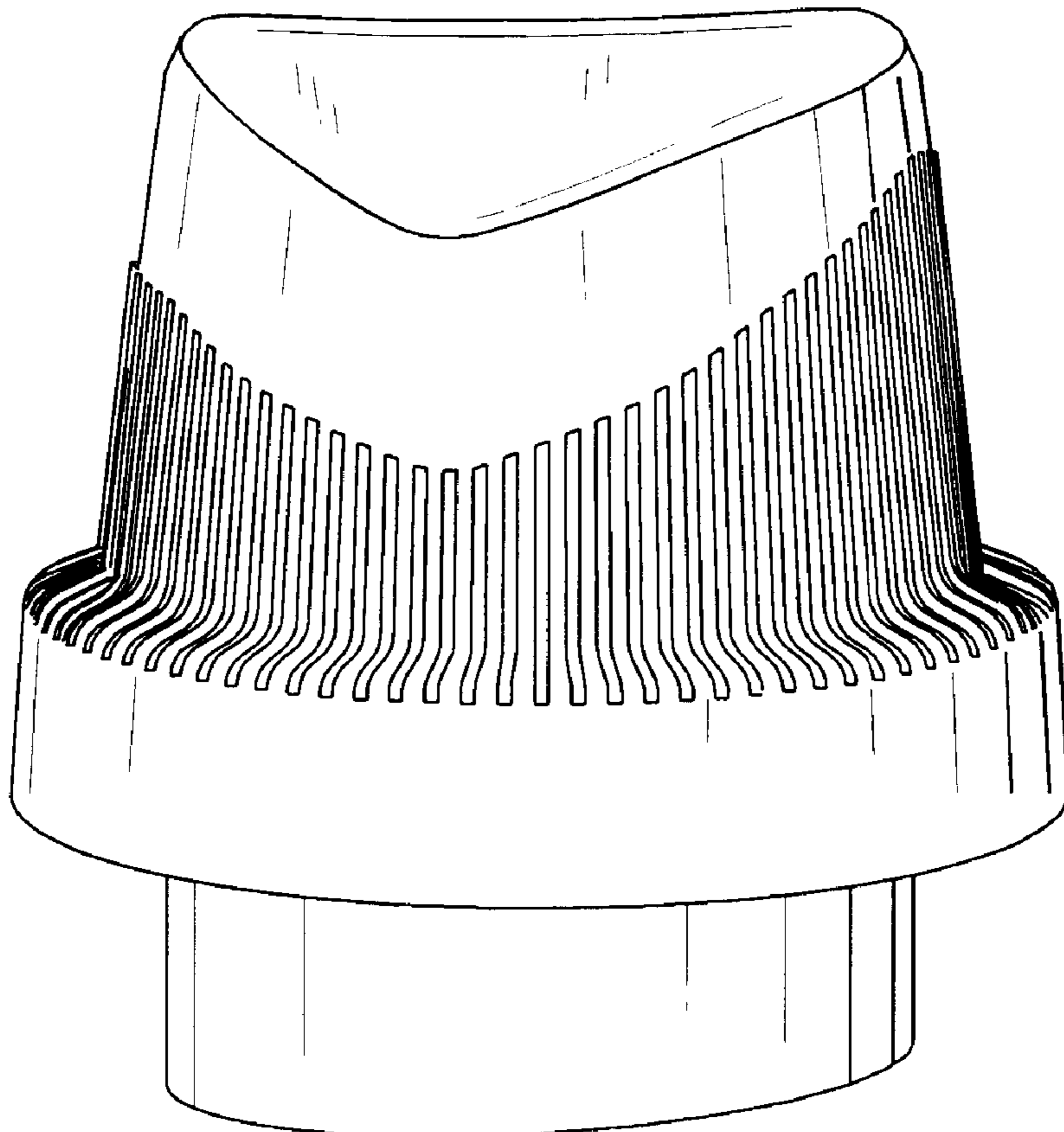
FIG. 6 is a bottom plan view thereof.

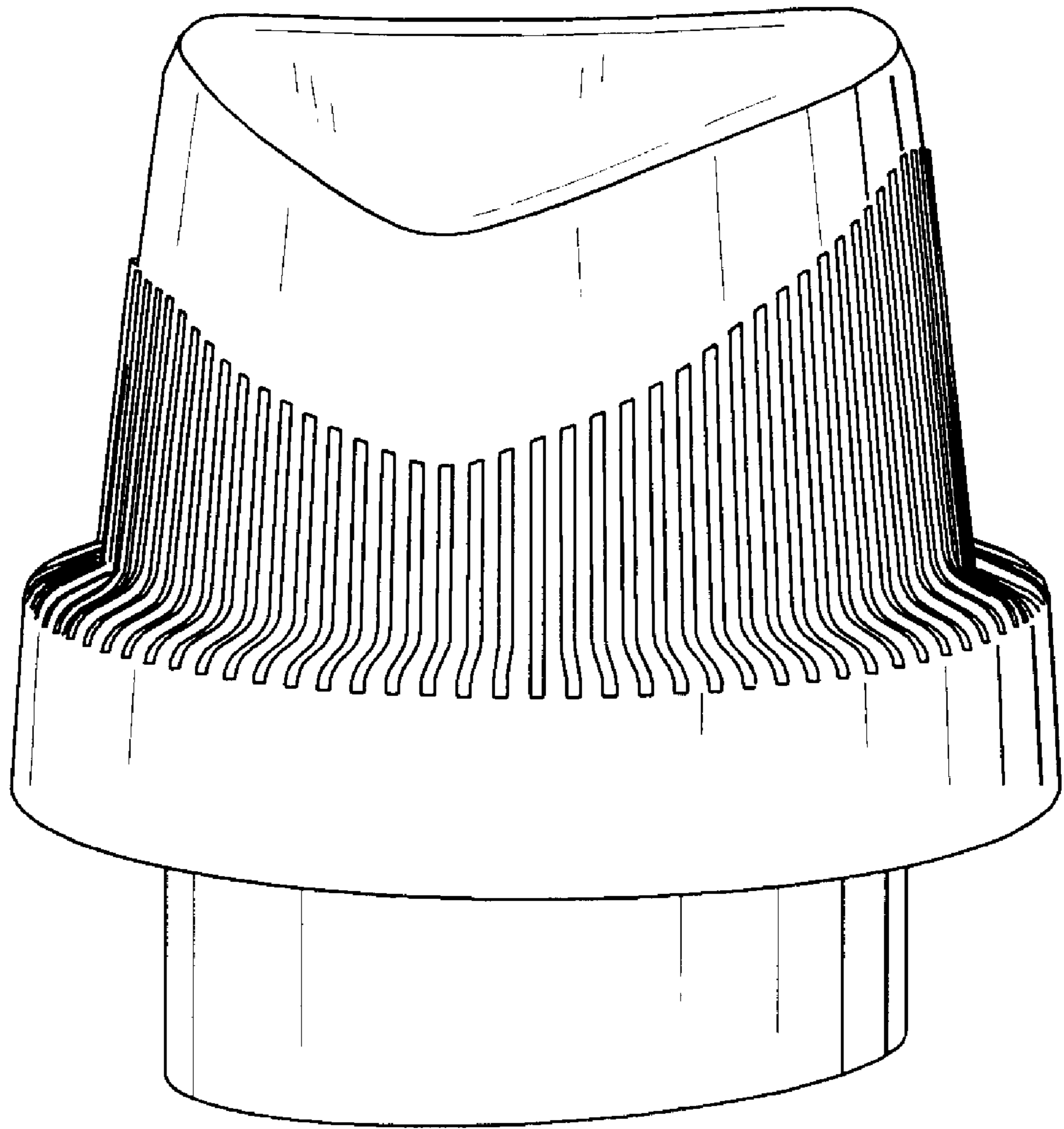
(56) **References Cited**

**U.S. PATENT DOCUMENTS**

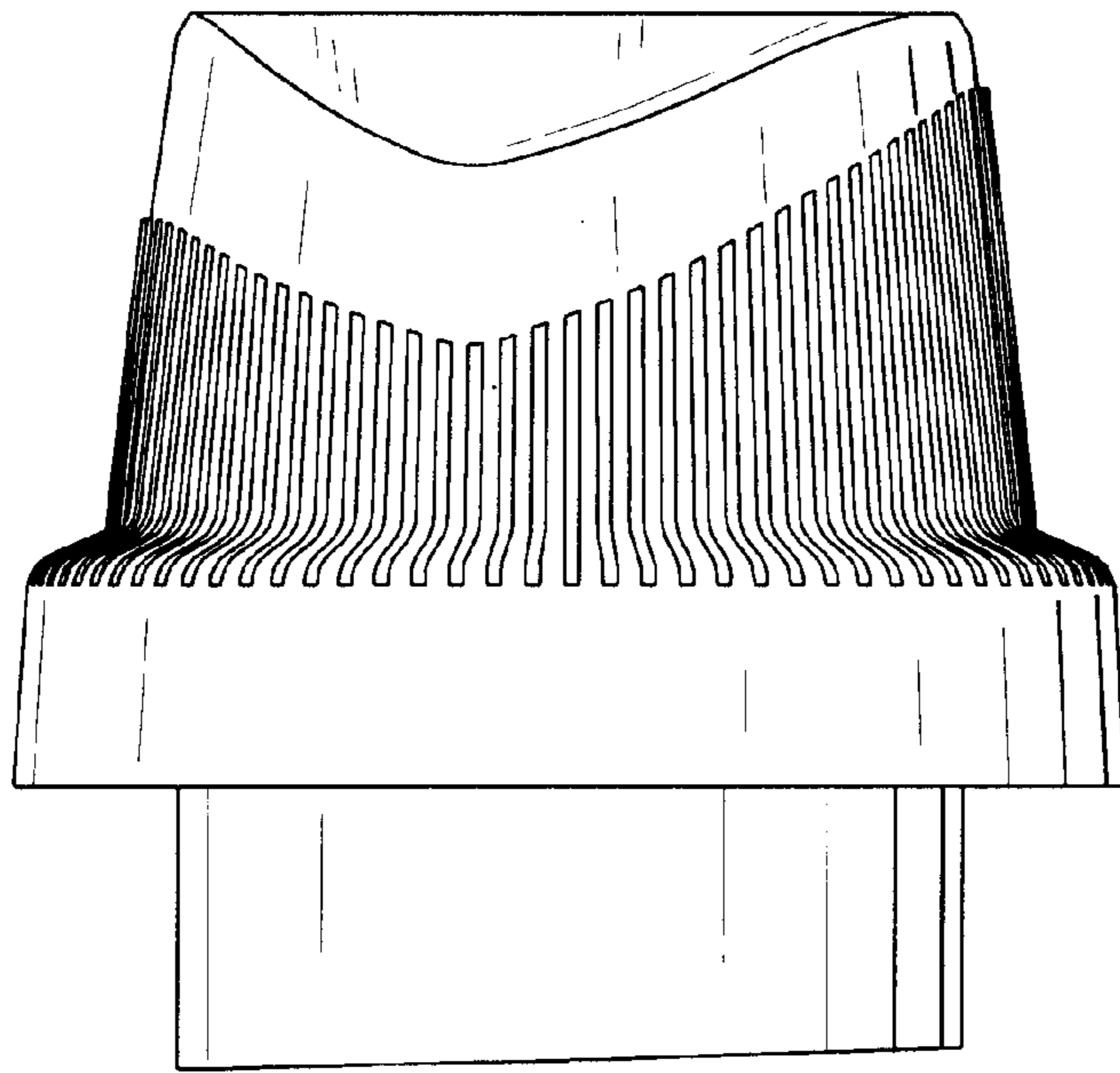
D. 85,512 \* 11/1931 Burke ..... D9/453  
D. 93,630 10/1934 Merolle .  
D. 93,704 10/1934 Conner .  
D. 97,465 11/1935 Conner .  
D. 101,029 \* 9/1936 Fleisch ..... D9/453  
D. 197,312 \* 1/1964 Kulow ..... D9/429

**1 Claim, 3 Drawing Sheets**

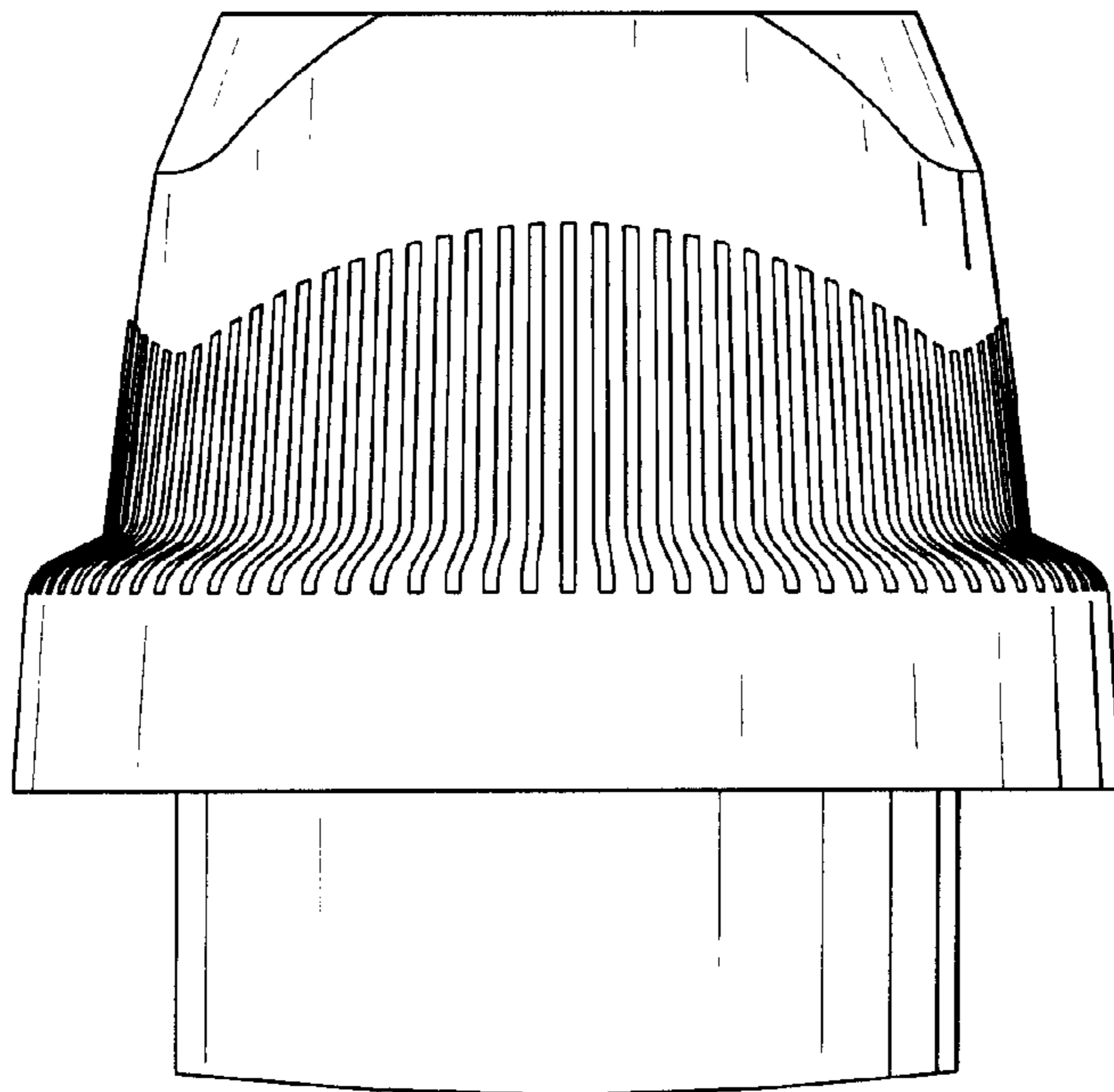




*FIG. 1*



*FIG. 2*



*FIG. 3*

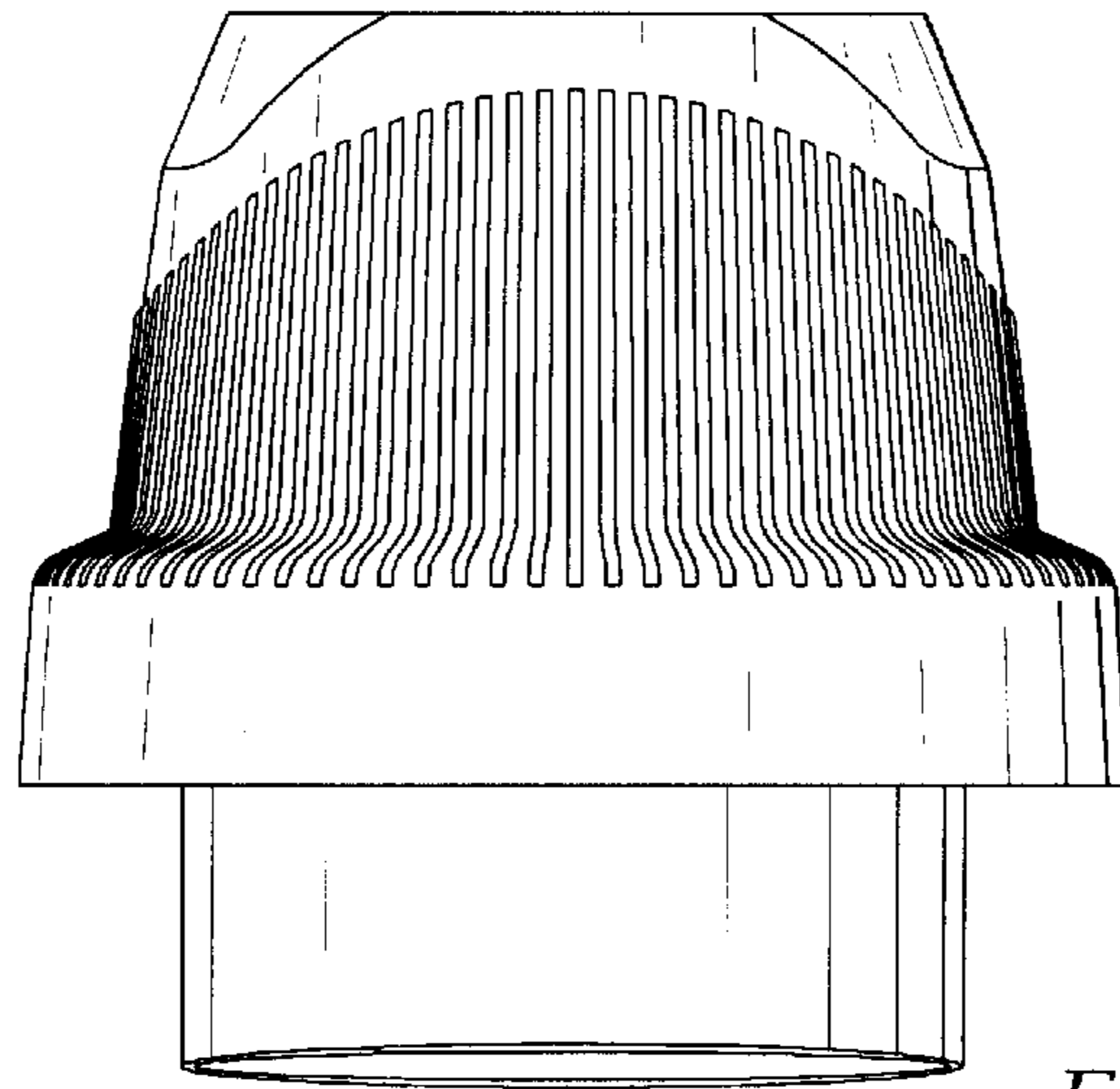


FIG. 4

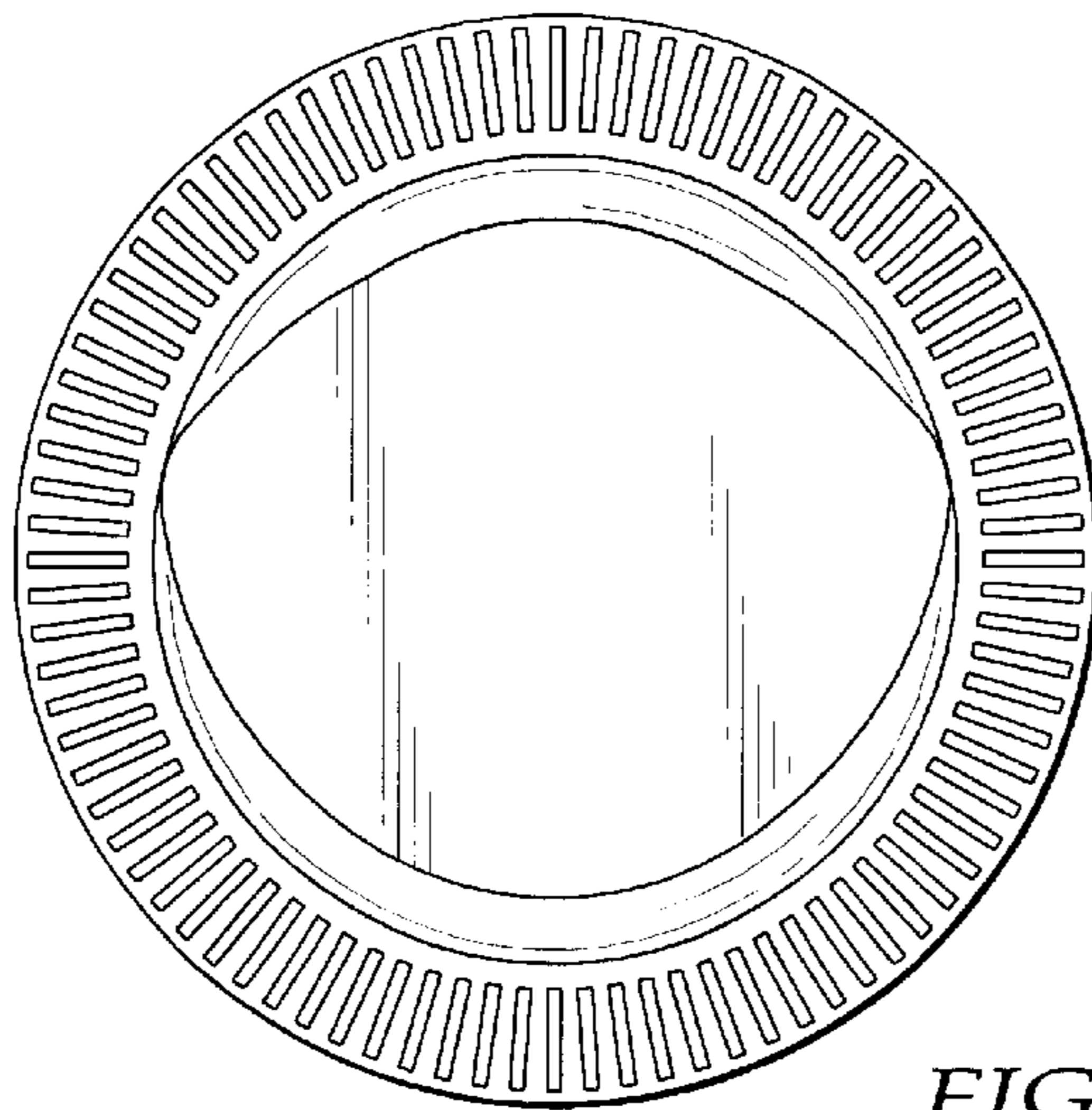


FIG. 5

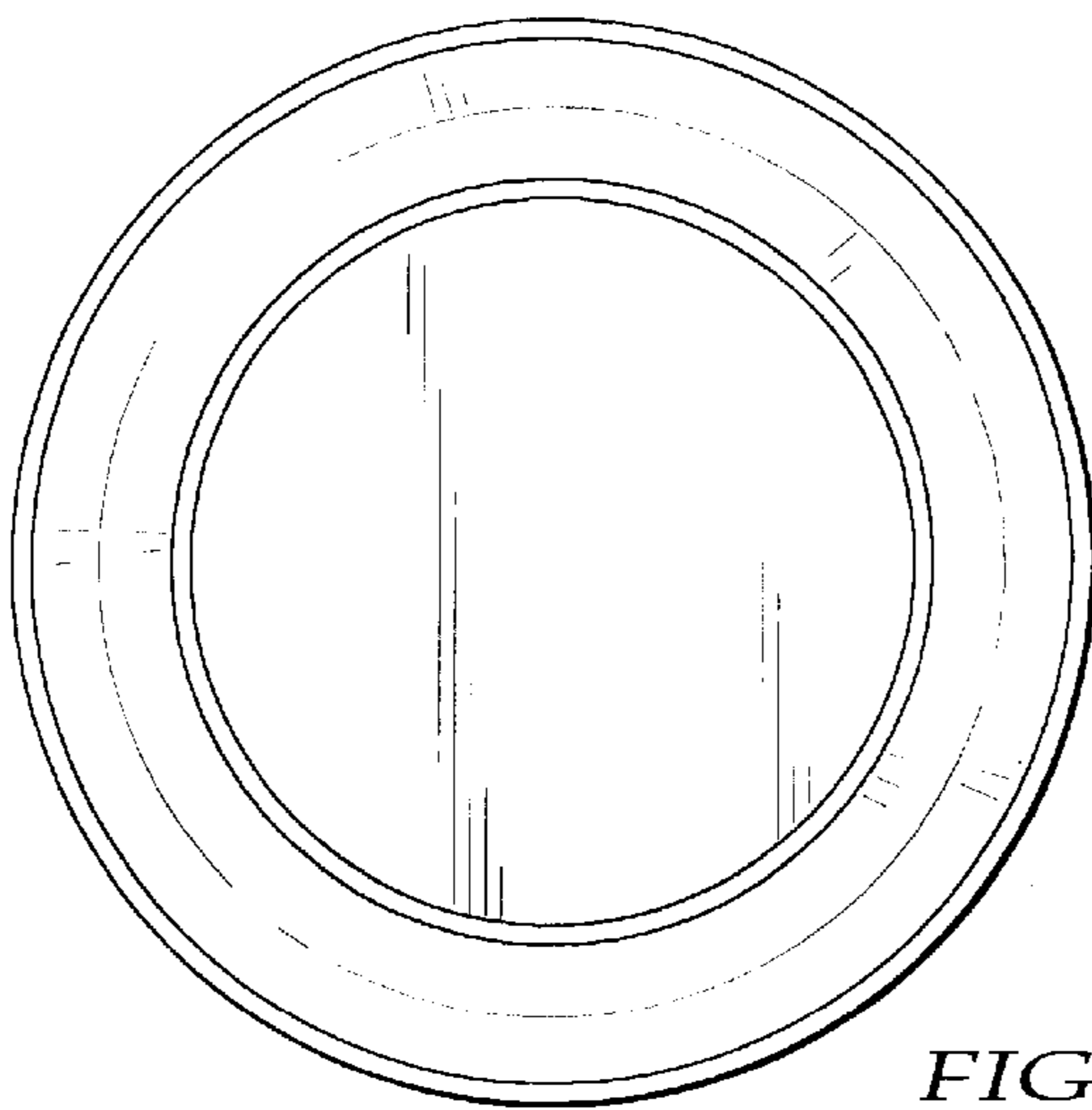


FIG. 6