



US00D444379S

(12) **United States Design Patent**
Assargren et al.

(10) **Patent No.:** **US D444,379 S**

(45) **Date of Patent:** **** *Jul. 3, 2001**

(54) **BLISTER PACK**

(75) Inventors: **Christian Assargren**, Bromma; **Claes Friberg**, Haninge, both of (SE)

(73) Assignee: **Astra Aktiebolag**, Sodertalje (SE)

(*) Notice: This patent is subject to a terminal disclaimer.

(**) Term: **14 Years**

(21) Appl. No.: **29/064,406**

(22) Filed: **Dec. 31, 1996**

(30) **Foreign Application Priority Data**

Jul. 1, 1996	(SE)	96-1470
Jul. 1, 1996	(SE)	96-1471
Jul. 1, 1996	(SE)	96-1472
Jul. 1, 1996	(SE)	96-1473
Jul. 1, 1996	(SE)	96-1475
Jul. 1, 1996	(SE)	96-1479
Jul. 1, 1996	(SE)	96-1480

(51) **LOC (7) Cl.** **09-03**

(52) **U.S. Cl.** **D9/345**

(58) **Field of Search** D9/339, 341, 345-348,
D9/433; 206/469, 528-532, 538-539, 820,
828

(56) **References Cited**

U.S. PATENT DOCUMENTS

D. 207,676	*	5/1967	Walter	D9/345
D. 320,930	*	10/1991	Richards	D9/345
D. 359,900	*	7/1995	Hawthorne	D9/346
D. 387,977	*	12/1997	Kallgren	D9/348
D. 414,106	*	9/1999	Anderson	D9/341
3,033,355	*	5/1962	Sickle	206/539
3,743,084	*	7/1973	Douglas	206/532
4,340,141	*	7/1982	Fischer	206/531

* cited by examiner

Primary Examiner—Nanda Bondade

(74) *Attorney, Agent, or Firm*—White & Case LLP

(57) **CLAIM**

The ornamental design for a blister pack, as shown.

DESCRIPTION

FIG. 1 is a top plan view of the blister pack in folded condition showing my new design;

FIGS. 2 and 3 are right and left side views, respectively, of the blister pack in folded condition;

FIGS. 4 and 5 are front and rear views, respectively, of the blister pack in folded condition;

FIG. 6 is a bottom plan view of the blister pack in folded condition;

FIGS. 7 and 8 are perspective views seen from above and below, respectively, of the blister pack in folded condition;

FIGS. 9 and 10 are perspective views seen from above and below, respectively, of the blister pack in unfolded condition.

FIG. 11 is a top plan view of the blister pack in folded condition showing my new design;

FIGS. 12 and 13 are right and left side views, respectively, of the blister pack in folded condition;

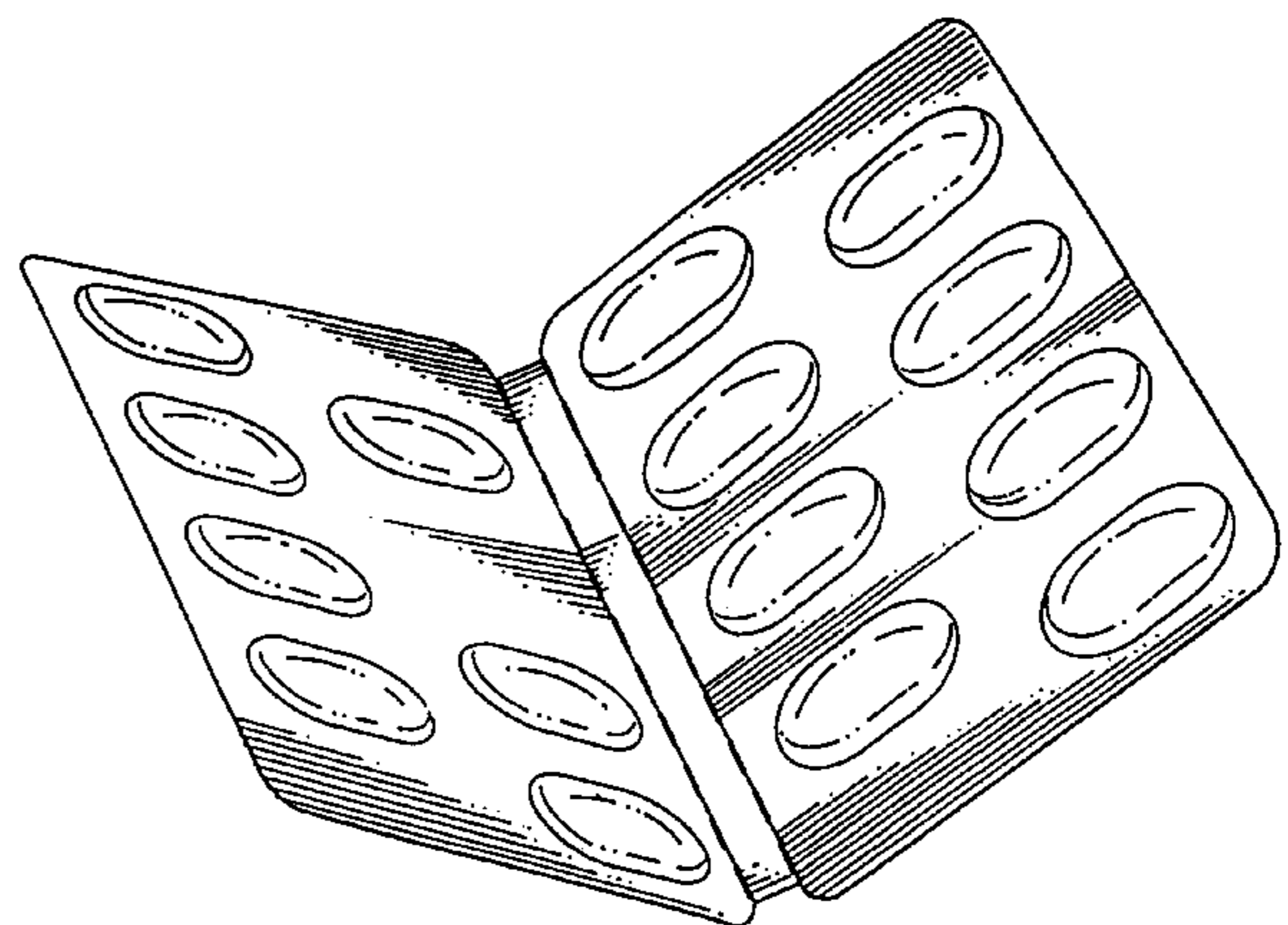
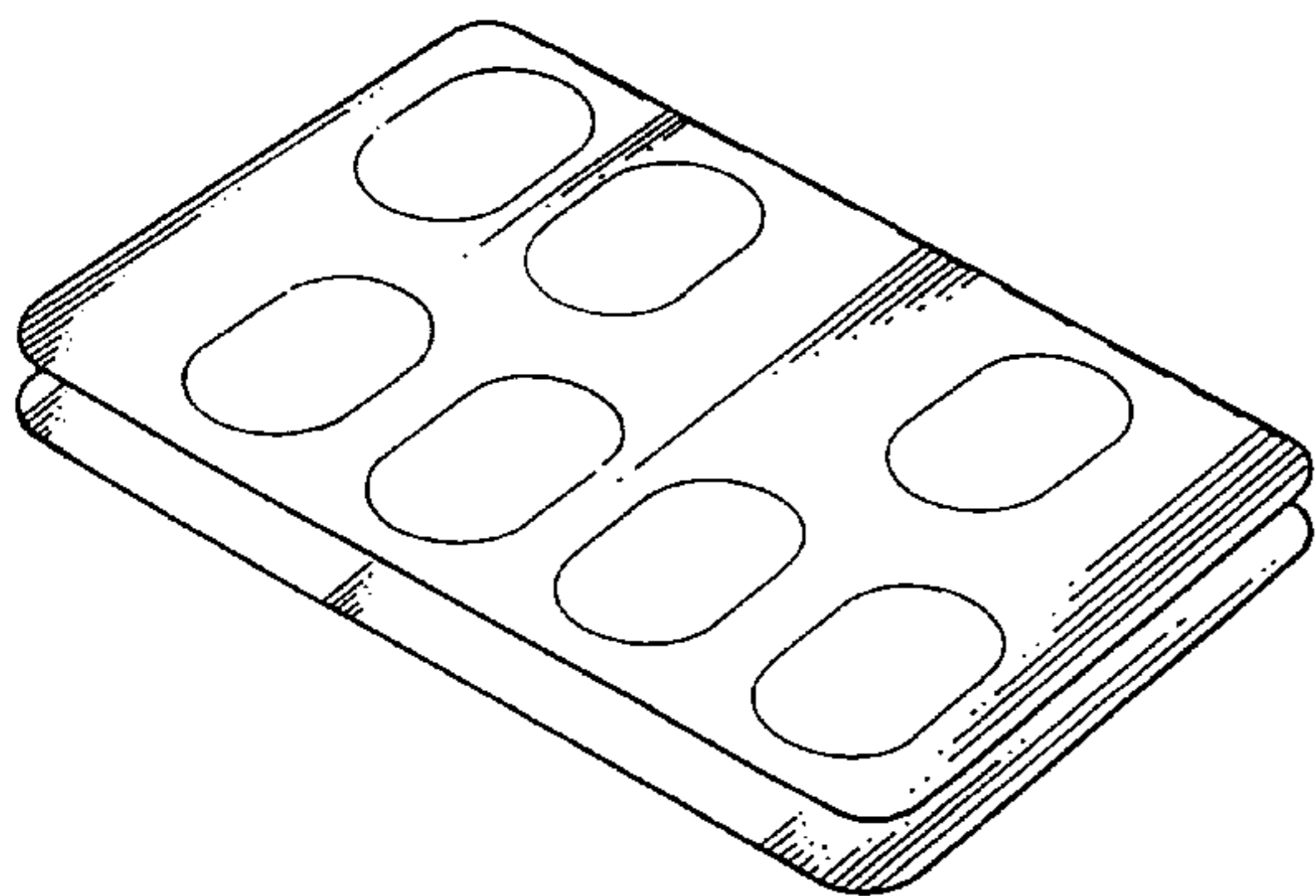
FIGS. 14 and 15 are front and rear views, respectively, of the blister pack in folded condition;

FIG. 16 is a bottom plan view of the blister pack in folded condition;

FIGS. 17 and 18 are perspective views seen from above and below, respectively, of the blister pack in folded condition; and,

FIGS. 19 and 20 are perspective views seen from above and below, respectively, of the blister pack in unfolded condition.

1 Claim, 6 Drawing Sheets



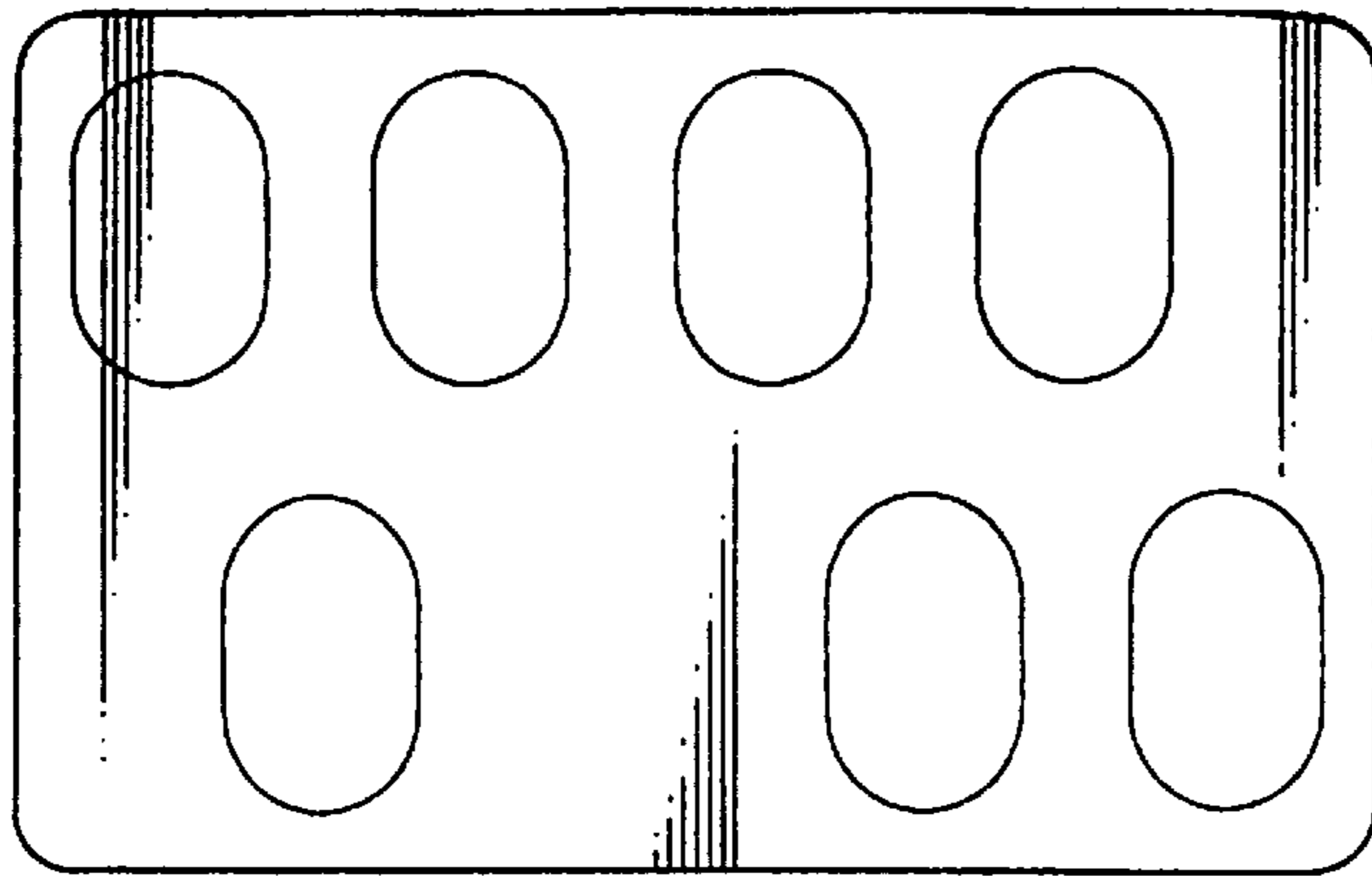


FIG. 6

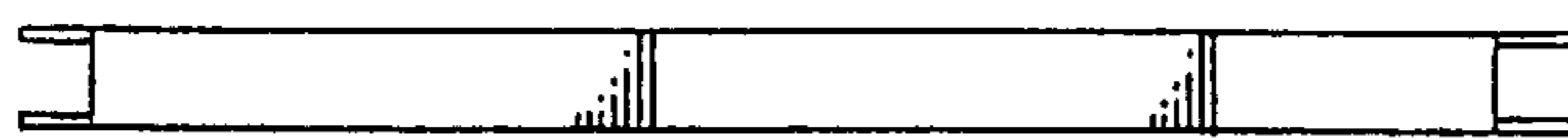


FIG. 5



FIG. 2

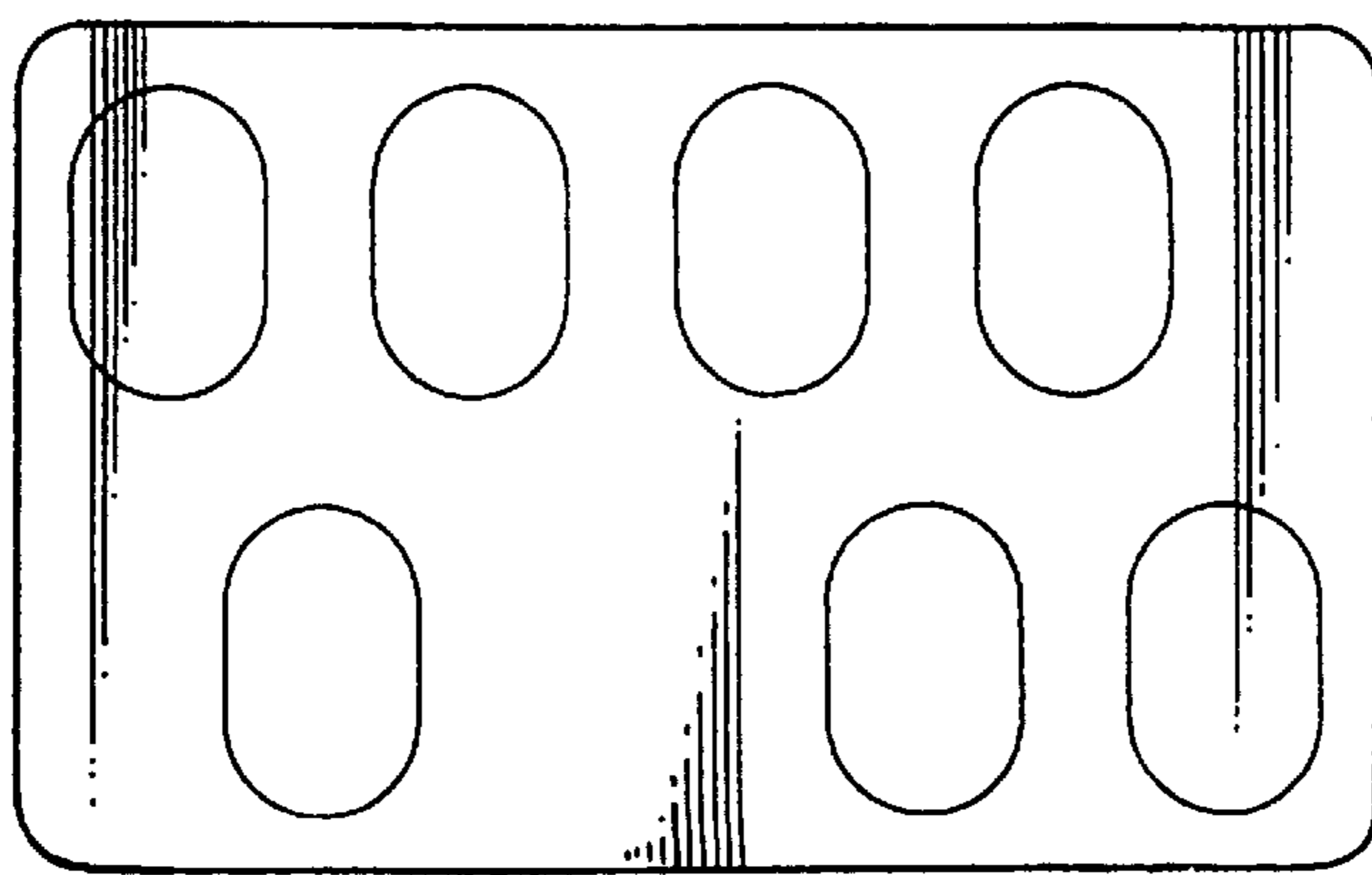


FIG. 1



FIG. 3



FIG. 4

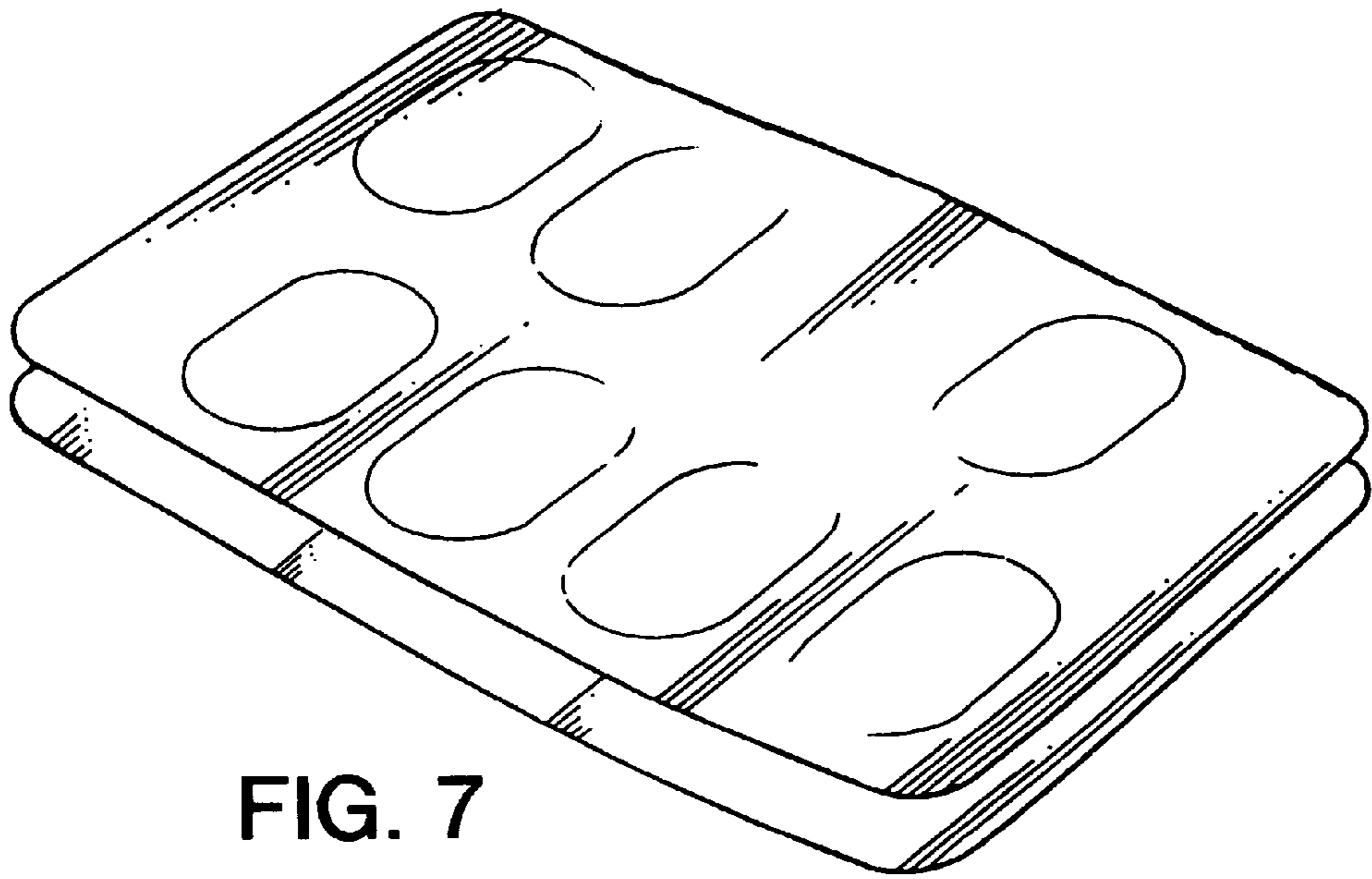


FIG. 7

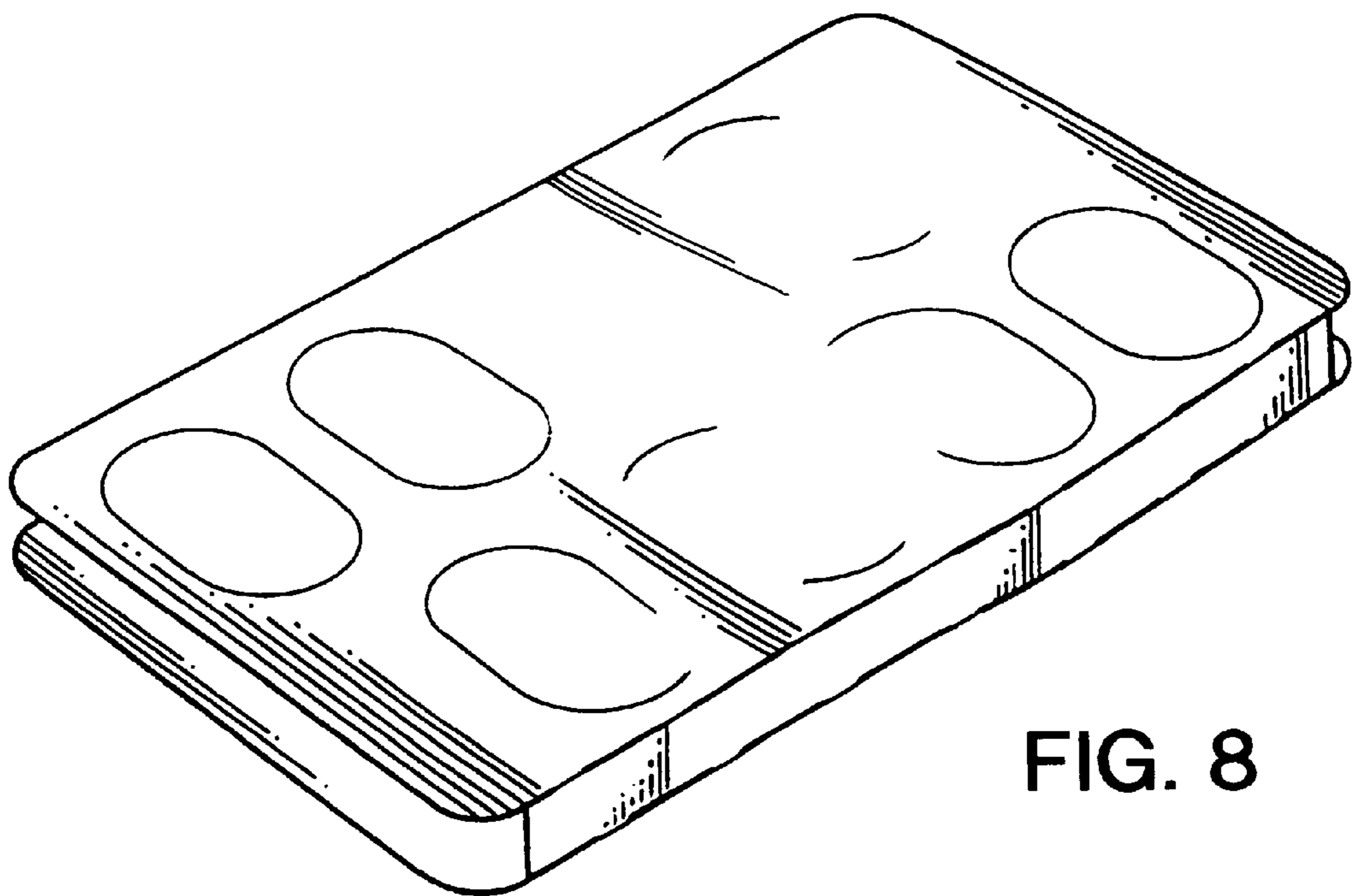


FIG. 8

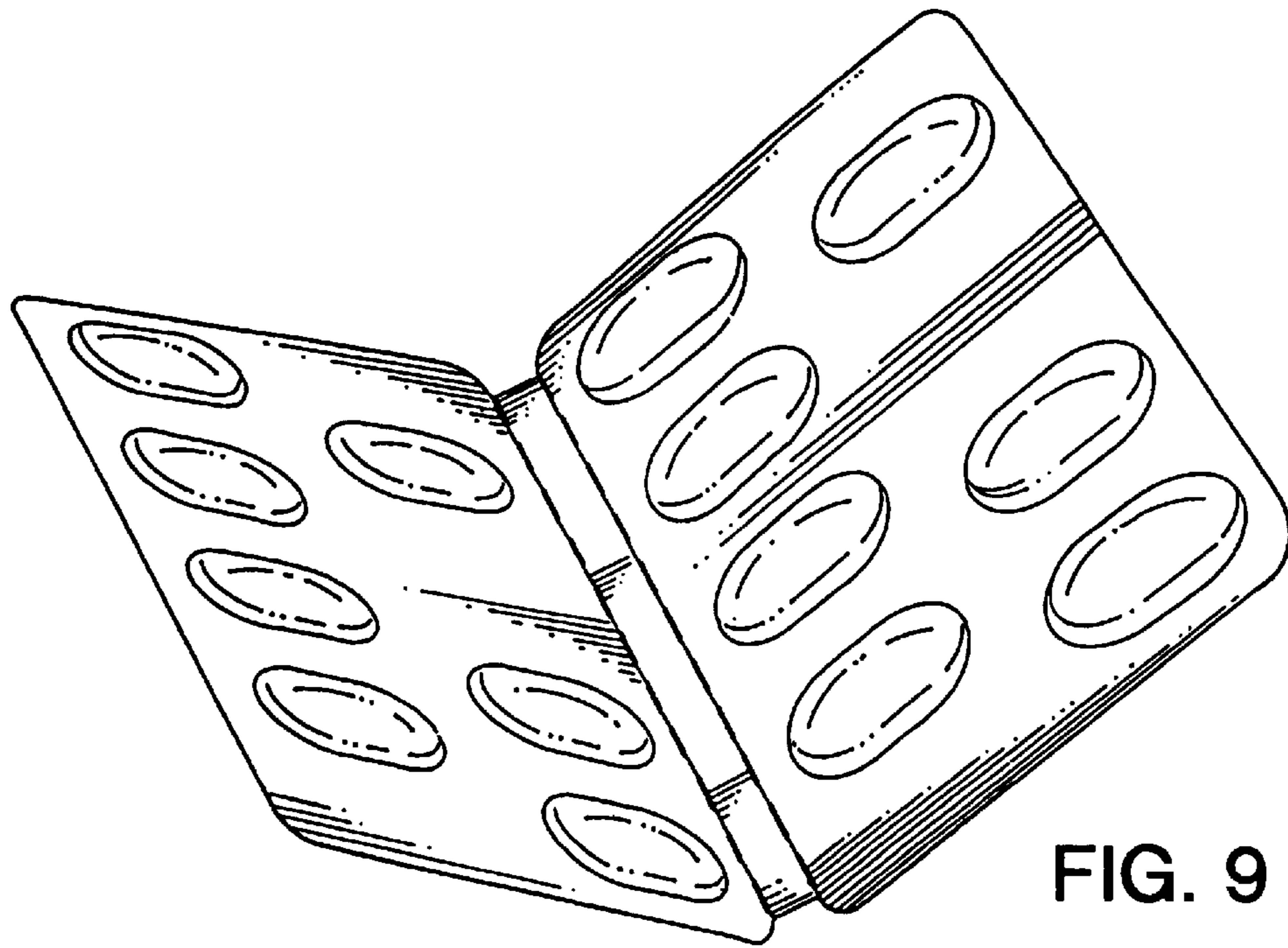


FIG. 9

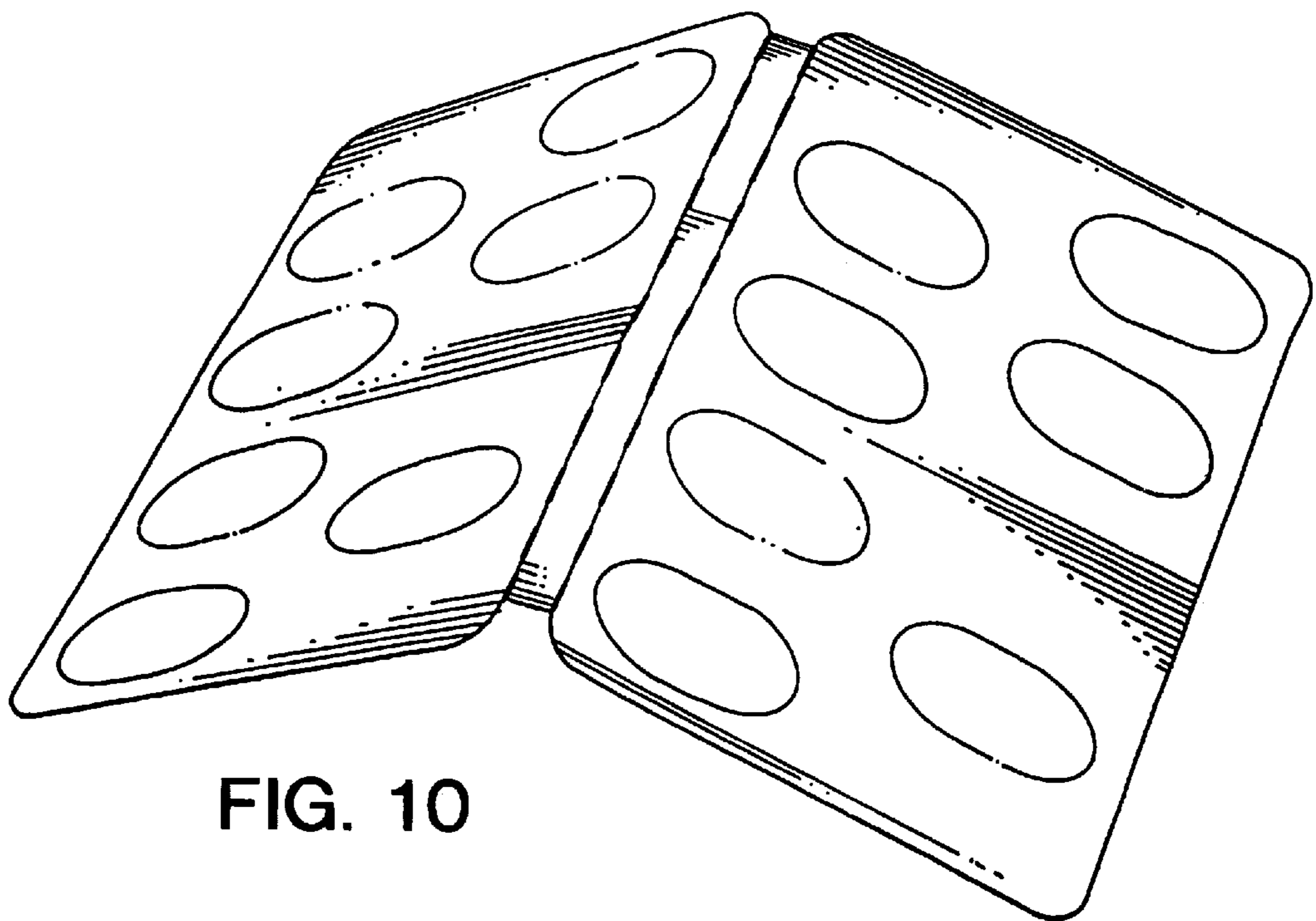


FIG. 10

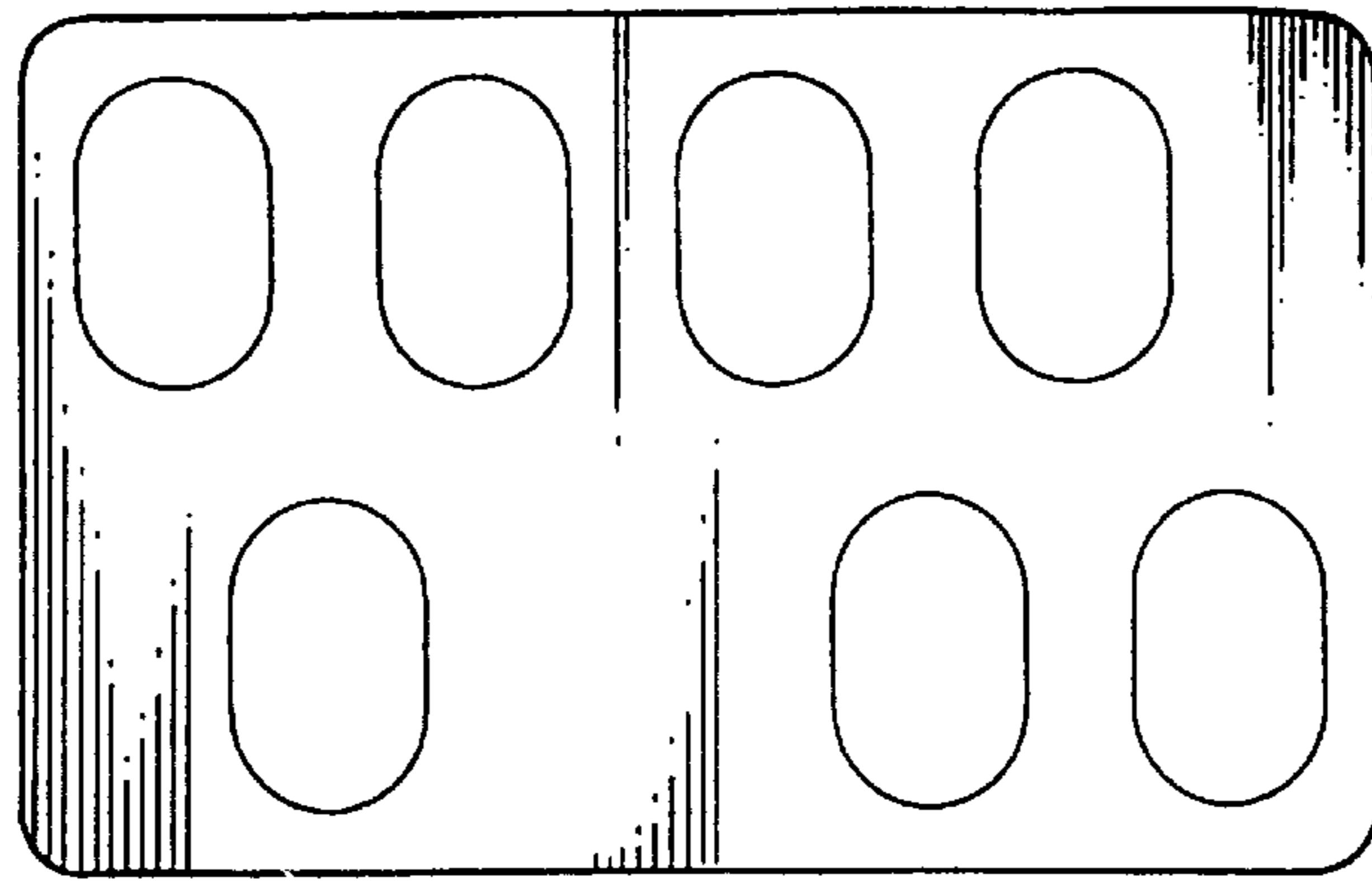


FIG. 16



FIG. 15



FIG. 12

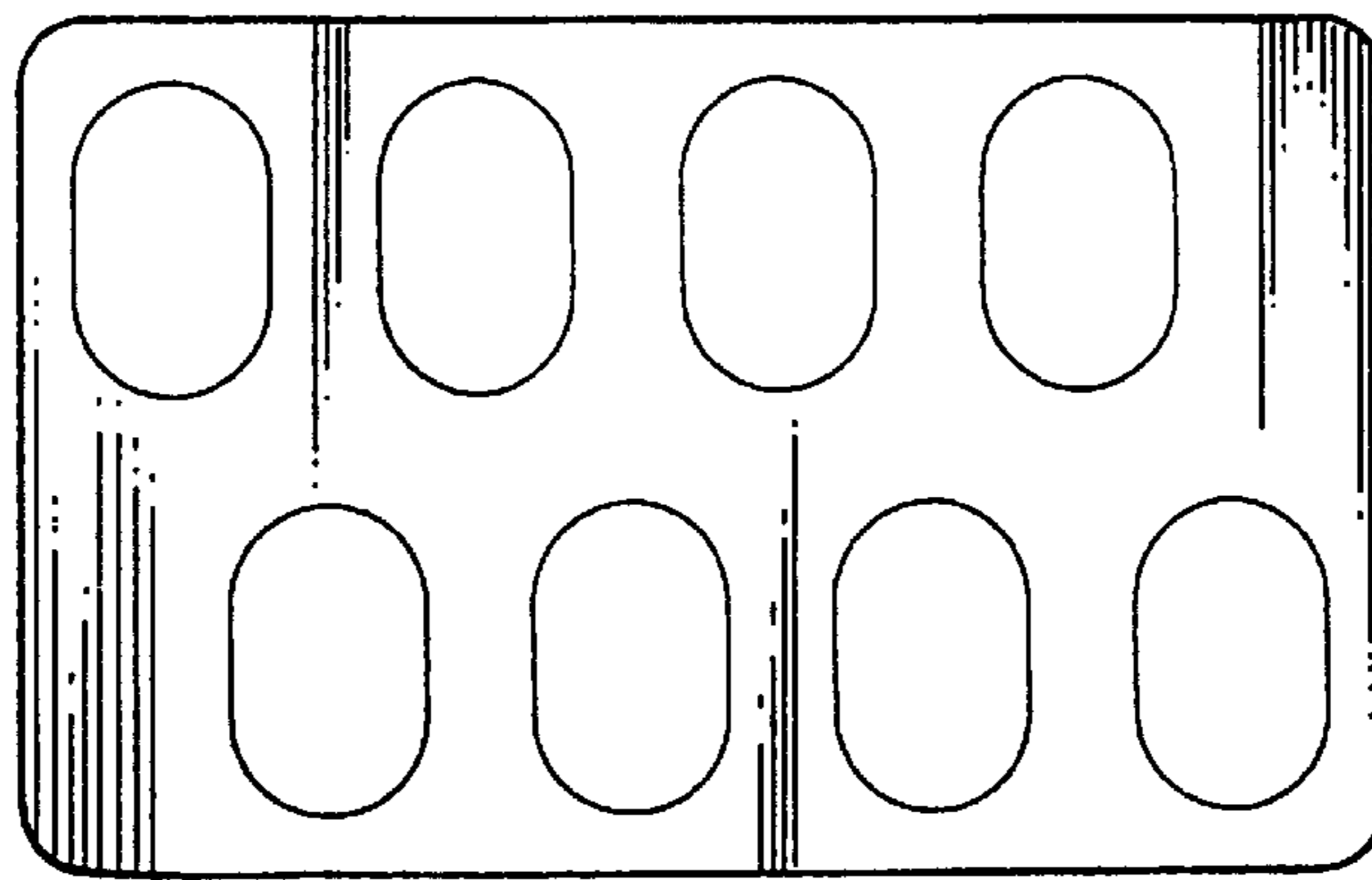


FIG. 11



FIG. 13



FIG. 14

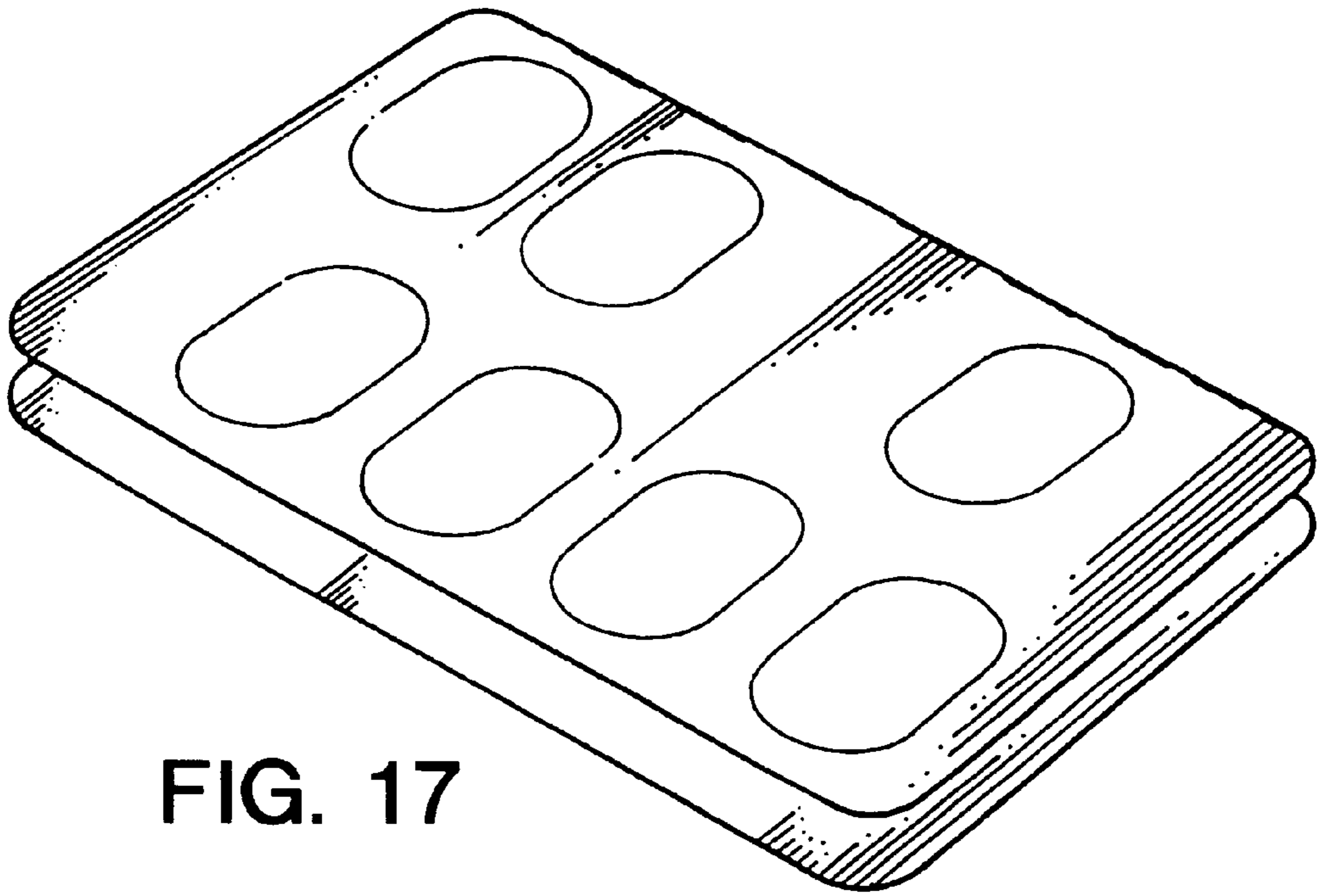


FIG. 17

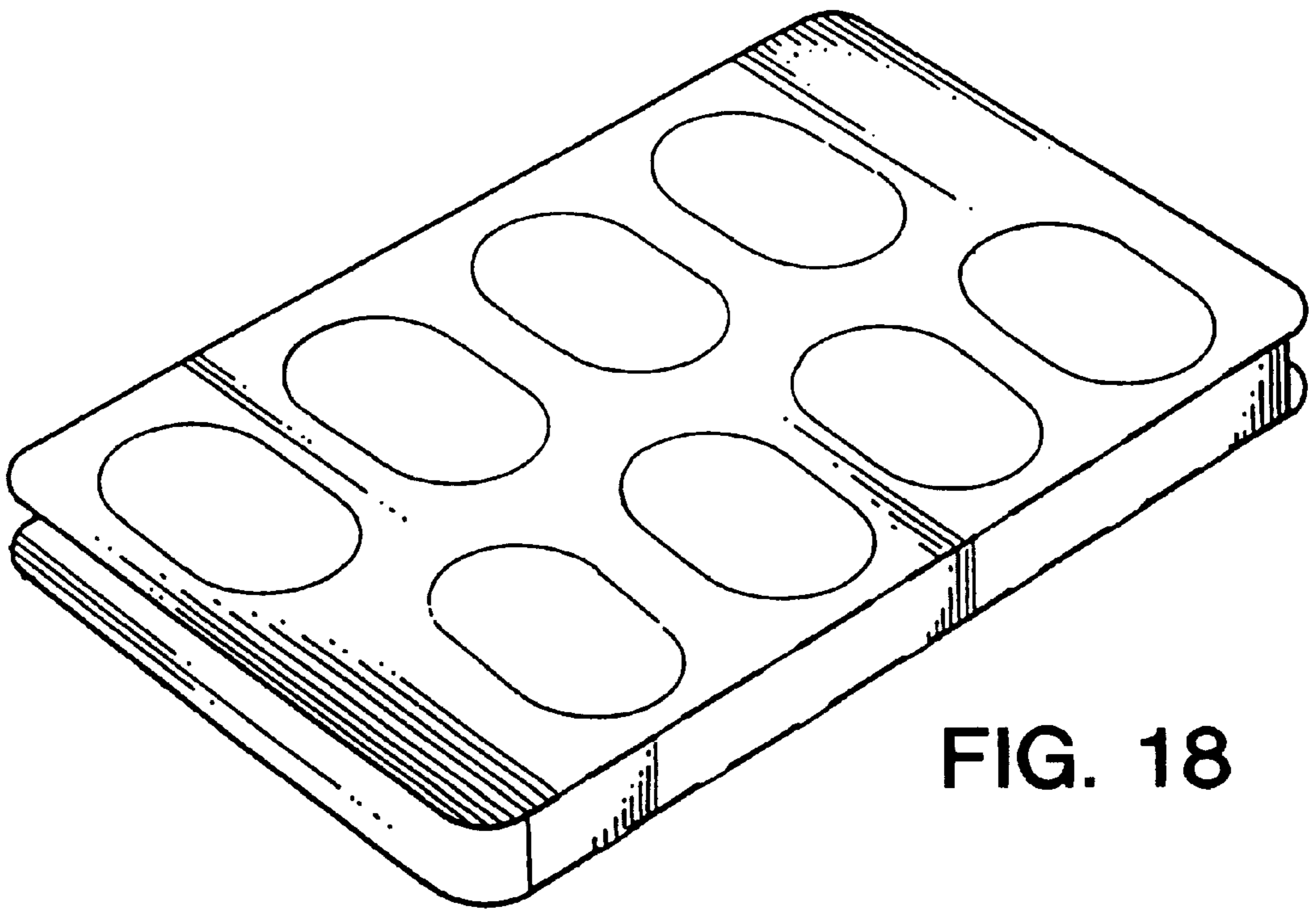


FIG. 18

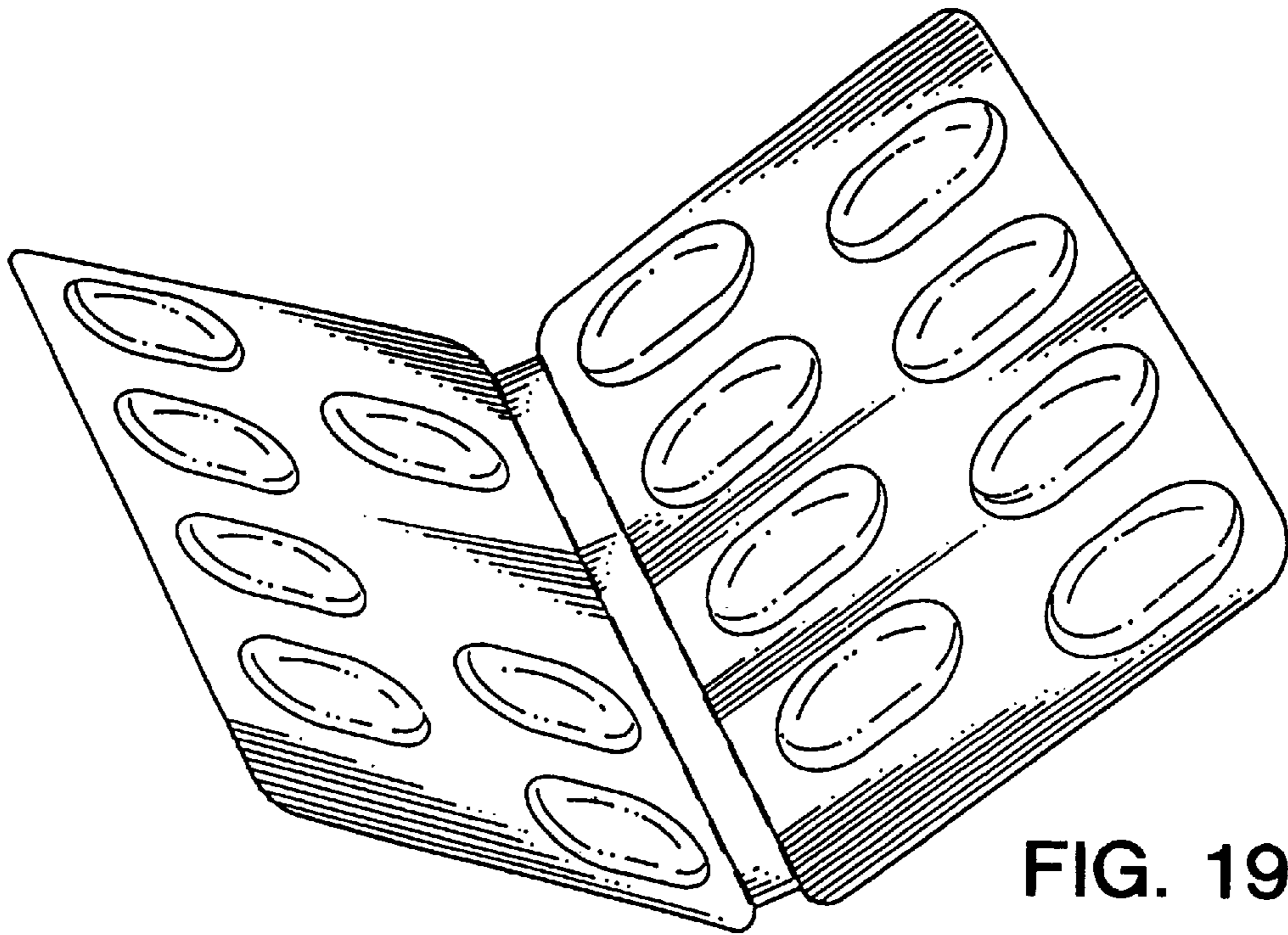


FIG. 19

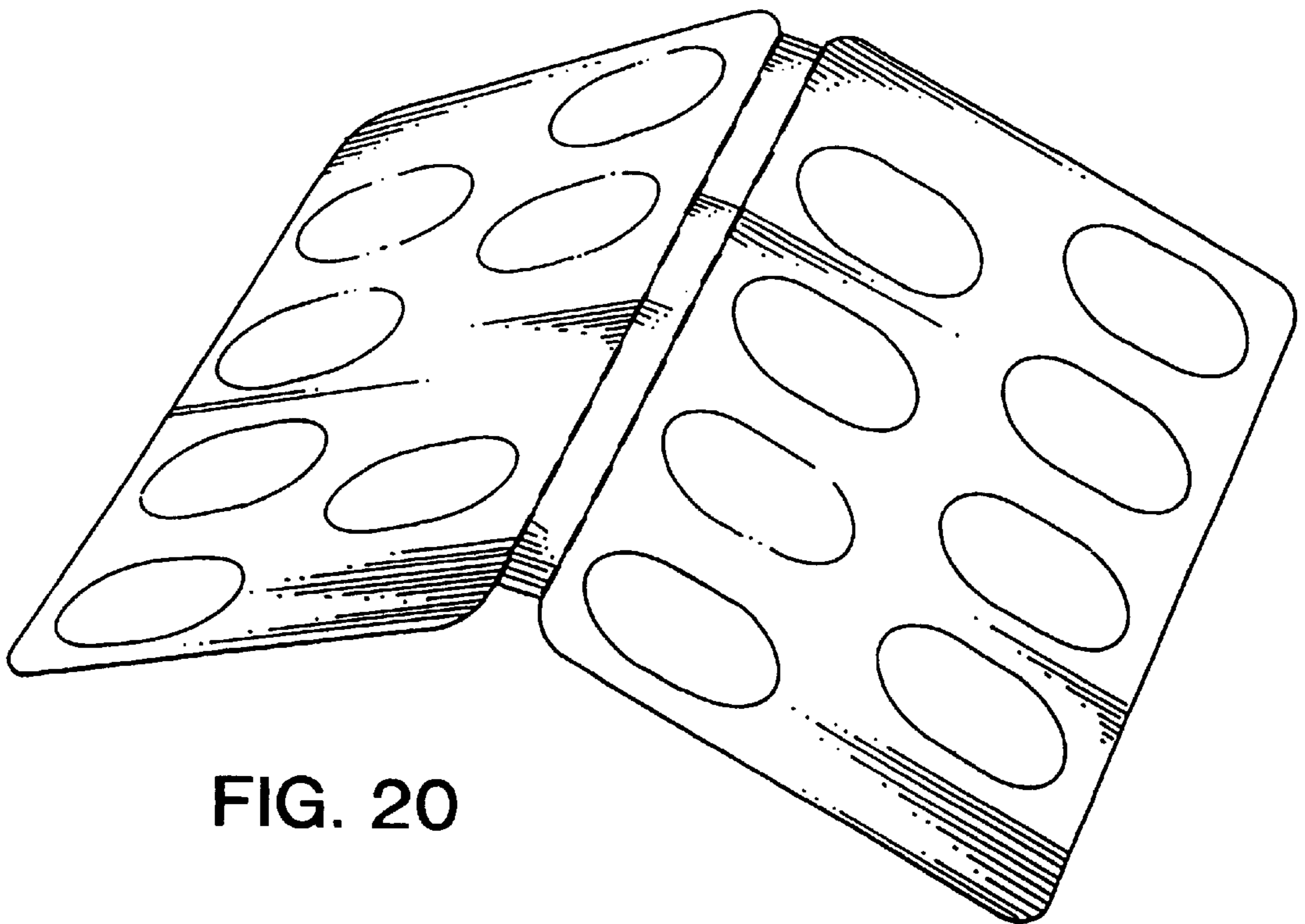


FIG. 20