



US00D444373S

(12) **United States Design Patent**
Schultz et al.

(10) **Patent No.:** **US D444,373 S**

(45) **Date of Patent:** **** Jul. 3, 2001**

- (54) **TILT-LATCH**
- (75) Inventors: **Steven E. Schultz**, Rockford; **Kevin G. Short**, LaGrange, both of IL (US)
- (73) Assignee: **Ashland Products, Inc.**, Lowell, IN (US)
- (**) Term: **14 Years**
- (21) Appl. No.: **29/122,353**
- (22) Filed: **Apr. 25, 2000**
- (51) **LOC (7) Cl.** **08-07**
- (52) **U.S. Cl.** **D8/343**
- (58) **Field of Search** D8/330, 331, 336-338, D8/343; 292/DIG. 20, DIG. 30, DIG. 31, DIG. 47, 153, 175, 163, 194, 200, 202, 203, 230, 336.3; 70/208; 49/181

- (56) **References Cited**
- U.S. PATENT DOCUMENTS**
- | | | | |
|--------------|---------|-------------------|--------|
| 16,228 | 12/1856 | Copeland . | |
| D. 313,161 | 12/1990 | Westphal et al. . | |
| D. 371,502 | 7/1996 | Morris . | |
| D. 380,137 | 6/1997 | Carlson et al. . | |
| D. 380,370 | 7/1997 | Carlson et al. . | |
| D. 411,094 * | 6/1999 | Schultz | D8/343 |
| D. 411,095 * | 6/1999 | Schultz | D8/343 |
| D. 411,797 * | 7/1999 | Schultz | D8/343 |
| D. 414,674 * | 10/1999 | Schultz | D8/331 |
| D. 415,671 * | 10/1999 | Schultz | D8/331 |
| D. 416,468 | 11/1999 | Schultz . | |
| D. 416,780 * | 11/1999 | Schultz | D8/343 |
| 1,781,729 | 11/1930 | Major . | |
| 2,568,273 | 9/1951 | Clark . | |
| 2,965,935 | 12/1960 | Olsen . | |
| 3,080,621 | 3/1963 | Mendelsohn . | |
| 3,122,797 | 3/1964 | Segre . | |
| 3,841,674 | 10/1974 | Bisbing et al. . | |
| 4,167,835 | 9/1979 | Nobes et al. . | |
| 4,400,026 | 8/1983 | Brown, Jr. . | |
| 4,475,311 | 10/1984 | Gibson . | |
| 4,553,353 | 11/1985 | Simpson . | |
| 4,578,903 | 4/1986 | Simpson . | |
| 4,581,850 | 4/1986 | Simpson . | |
| 4,622,778 | 11/1986 | Simpson . | |
| 4,640,048 | 2/1987 | Winner et al. . | |
| 4,669,765 | 6/1987 | Ullman . | |

- | | | | |
|-------------|---------|-------------------|---------|
| 4,790,579 | 12/1988 | Maxwell et al. . | |
| 4,791,756 | 12/1988 | Simpson . | |
| 4,824,154 | 4/1989 | Simpson . | |
| 4,837,975 | 6/1989 | Simpson . | |
| 4,901,475 | 2/1990 | Simpson . | |
| 4,917,413 | 4/1990 | Jason et al. . | |
| 5,028,083 | 7/1991 | Mischenko . | |
| 5,068,932 | 12/1991 | Chang . | |
| 5,096,240 | 3/1992 | Schultz . | |
| 5,121,951 | 6/1992 | Harbom et al. . | |
| 5,121,952 | 6/1992 | Jason . | |
| 5,139,291 | 8/1992 | Schultz . | |
| 5,165,737 | 11/1992 | Riegelman . | |
| 5,301,989 | 4/1994 | Dallmann et al. . | |
| 5,536,052 | 7/1996 | Maier . | |
| 5,618,067 | 4/1997 | Carlson et al. . | |
| 5,669,639 | 9/1997 | Lawrence . | |
| 5,671,958 | 9/1997 | Szapucki et al. . | |
| 5,806,900 | 9/1998 | Bratcher et al. . | |
| 5,970,656 | 10/1999 | Maier . | |
| 5,996,283 | 12/1999 | Maier . | |
| 6,021,603 | 2/2000 | Prete et al. . | |
| 6,050,618 * | 4/2000 | Tieu | 292/175 |
| 6,155,615 * | 12/2000 | Schultz | 292/163 |

* cited by examiner

Primary Examiner—Susan J. Lucas
Assistant Examiner—Jennifer Rivard
(74) *Attorney, Agent, or Firm*—Wallenstein & Wagner, Ltd.

(57) **CLAIM**

We claim the ornamental design for a tilt-latch, as shown and described.

DESCRIPTION

FIG. 1 is a perspective view of a tilt-latch, embodying the new design;
FIG. 2 is a top plan view of the tilt-latch;
FIG. 3 is a side elevational view of the tilt-latch, the other side elevational view of the claimed design being symmetrical;
FIG. 4 is a rear elevational view of the tilt-latch; and
FIG. 5 is a front elevational view of the tilt-latch.
Portions shown in broken lines are for illustrative purposes only and form no part of the claimed design.
The underside of the tilt-latch is plain and unornamented.

1 Claim, 1 Drawing Sheet ,

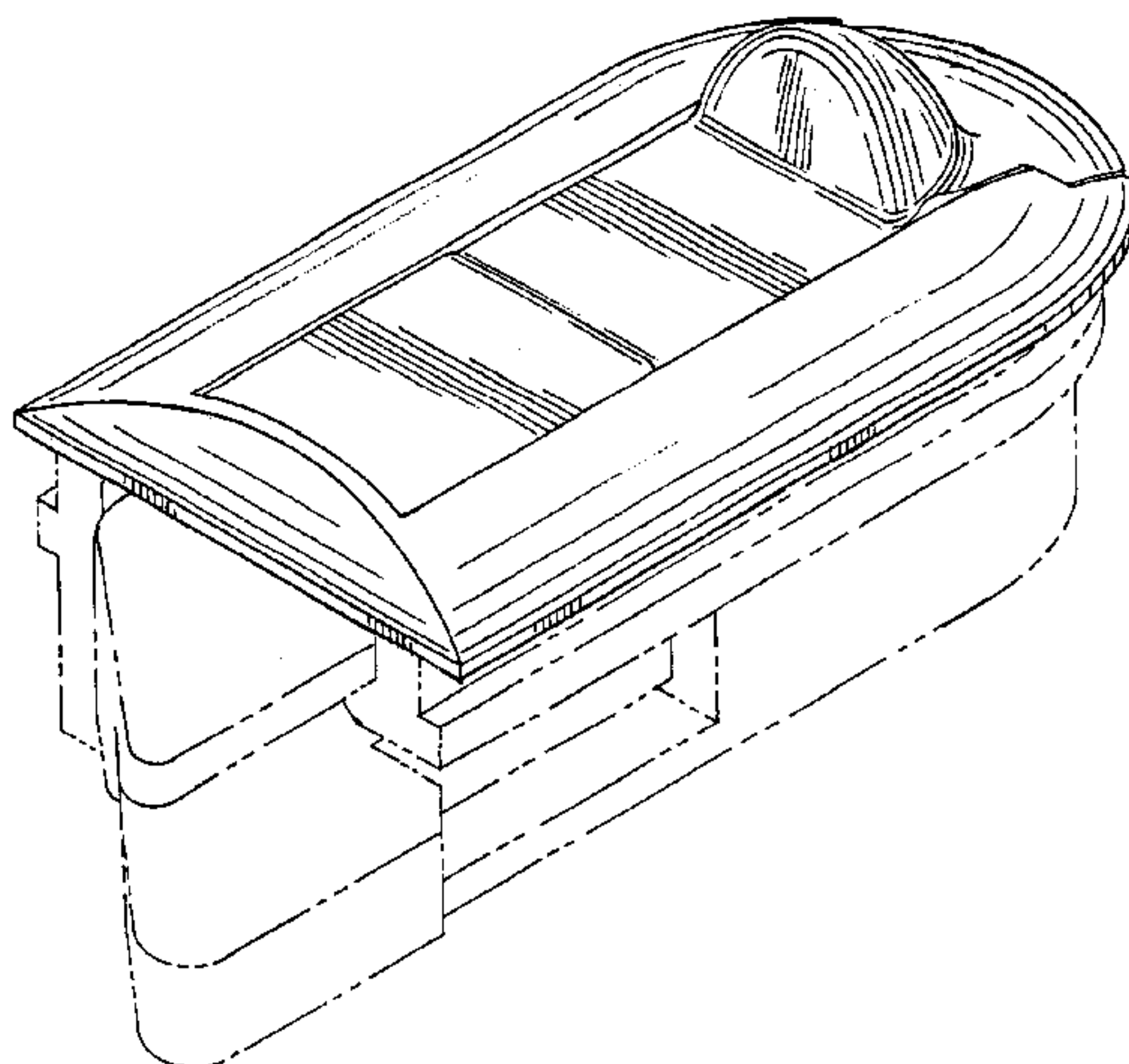


FIG.1

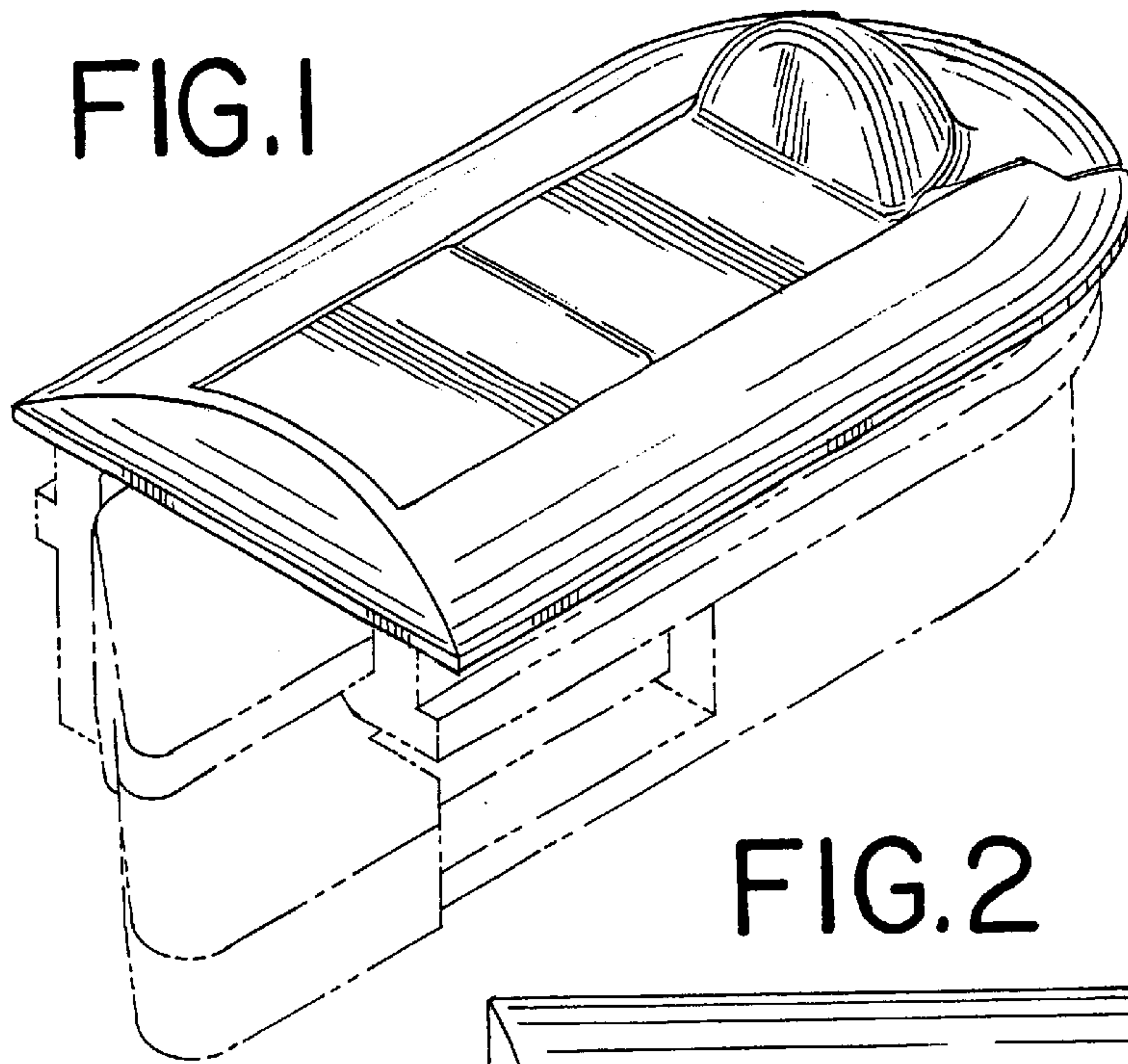


FIG.2

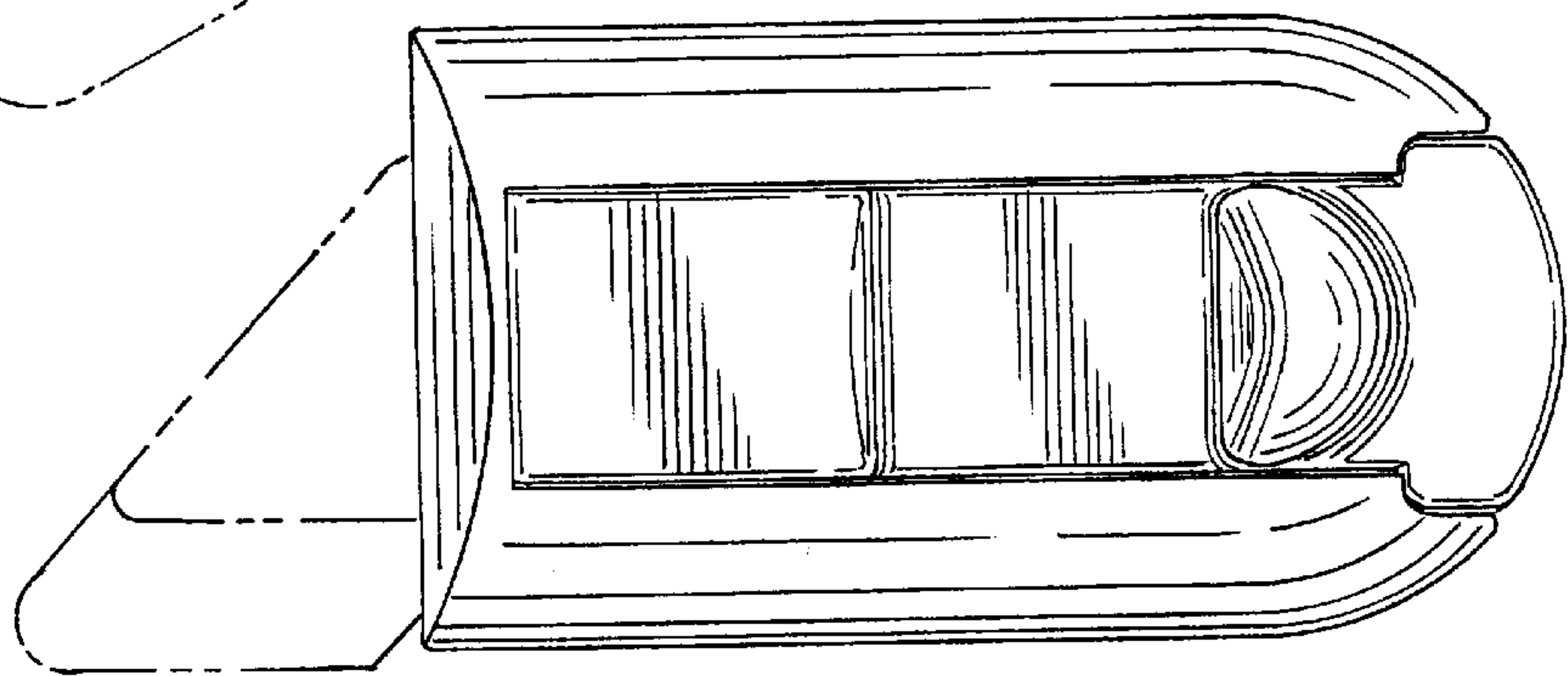


FIG.3

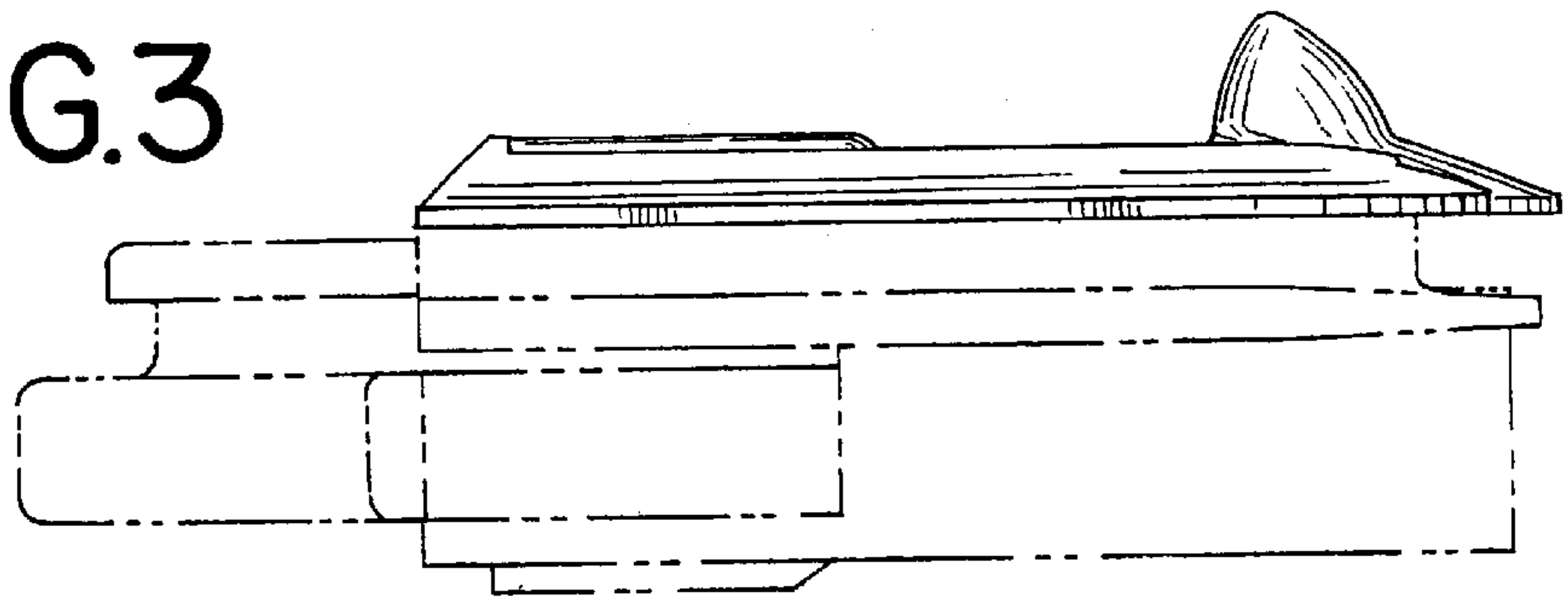


FIG.4

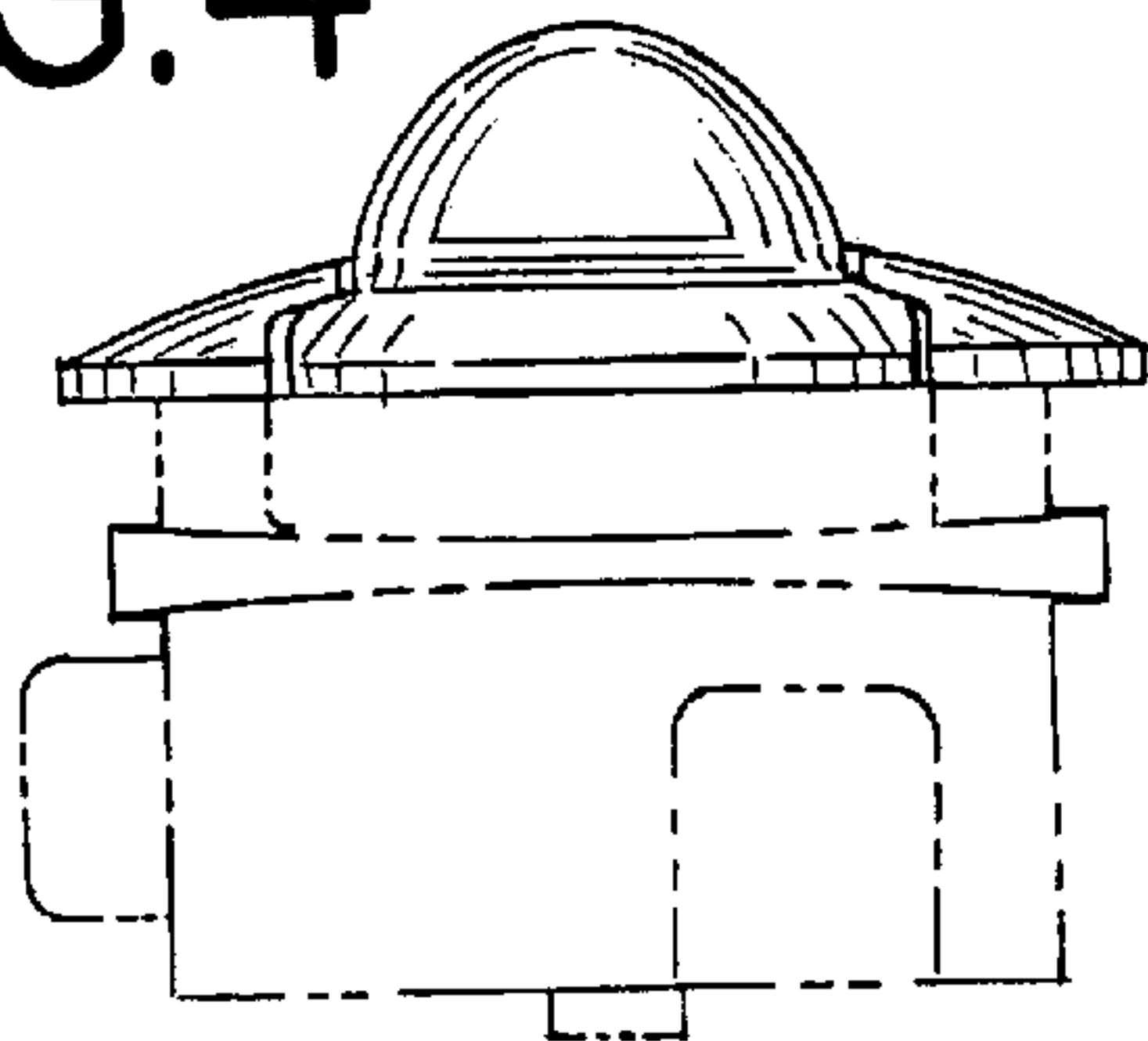


FIG.5

