



US00D444372S

(12) **United States Design Patent**
Segawa

(10) **Patent No.:** **US D444,372 S**

(45) **Date of Patent:** **** Jul. 3, 2001**

(54) **OUTSIDE HANDLE**

(75) Inventor: **Shiro Segawa**, Kanagawa (JP)

(73) Assignee: **Takengen Manufacture Co. Ltd.**,
Tokyo (JP)

(**) Term: **14 Years**

(21) Appl. No.: **29/120,009**

(22) Filed: **Mar. 13, 2000**

(30) **Foreign Application Priority Data**

Oct. 21, 1999 (JP) 11-28983

(51) **LOC (7) Cl.** **08-07**

(52) **U.S. Cl.** **D8/338; D8/306**

(58) **Field of Search** 70/207, 208, 215;
D8/300, 301, 302, 306, 330, 331, 336-338,
341; 292/336.3, DIG. 30, DIG. 31

(56) **References Cited**

U.S. PATENT DOCUMENTS

- D. 343,347 * 1/1994 Lau et al. D8/301
- D. 344,881 * 3/1994 Sauerland D8/331
- D. 406,040 * 2/1999 Kuehn D8/301
- D. 411,433 * 6/1999 Swan et al. D8/306
- D. 421,120 * 2/2000 Buckland D8/338
- 4,631,937 * 12/1986 Debus et al. 70/207

* cited by examiner

Primary Examiner—Susan J. Lucas

Assistant Examiner—Jennifer Rivard

(74) *Attorney, Agent, or Firm*—Keil & Weinkauff

(57) **CLAIM**

The ornamental design for the outside handle, as shown and described.

DESCRIPTION

FIG. 1 is a front elevational view of the outside handle showing my new design.

FIG. 2 is a top plan view thereof.

FIG. 3 is a bottom plan view thereof.

FIG. 4 is a right side elevational view thereof.

FIG. 5 is a rear elevational view thereof.

FIG. 6 is a front elevational view thereof with the handle lifted upward.

FIG. 7 is a right side elevational view thereof with the handle lifted upward.

FIG. 8 is a perspective view thereof; and,

FIG. 9 is a perspective view thereof with the handle turned to the left.

The broken lines are shown for illustrative purposes only and form no part of the claimed design.

1 Claim, 4 Drawing Sheets

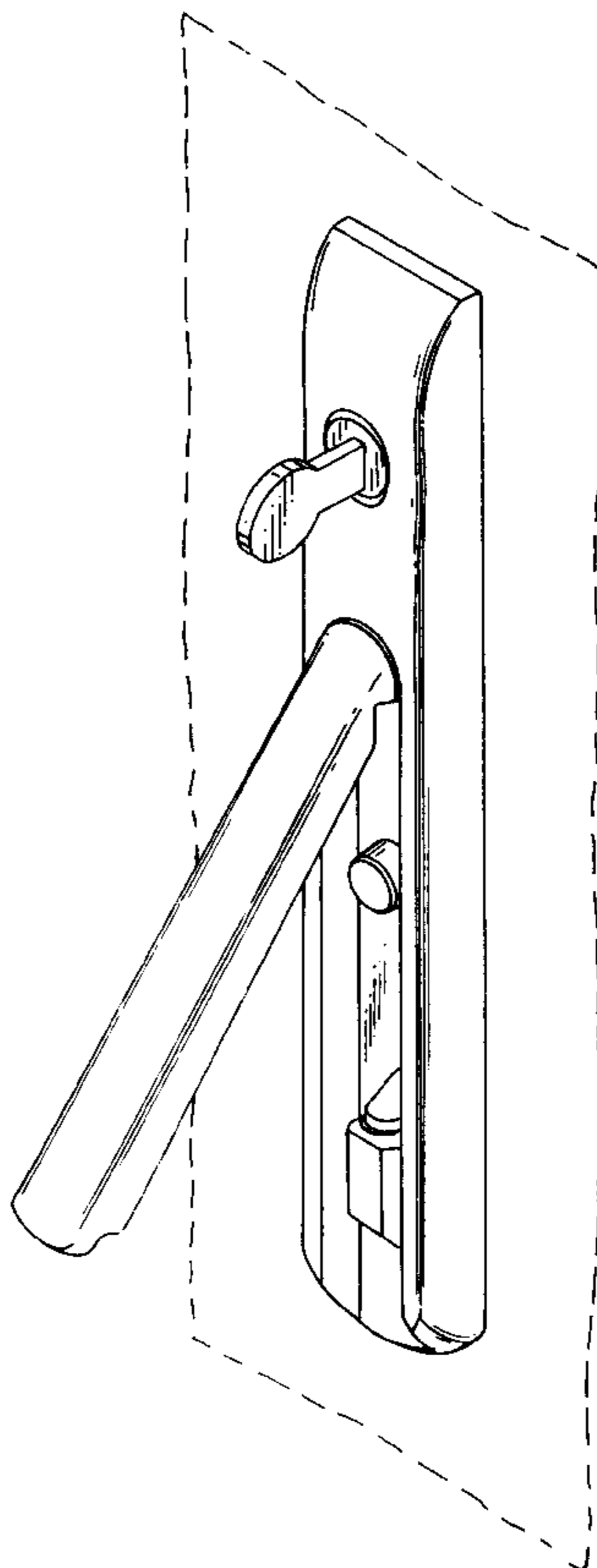


FIG. 2

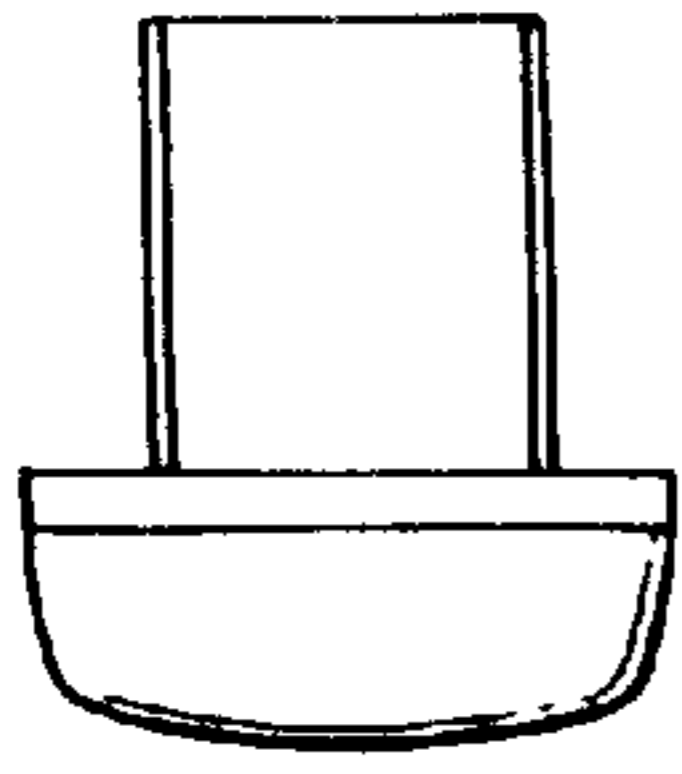


FIG. 3

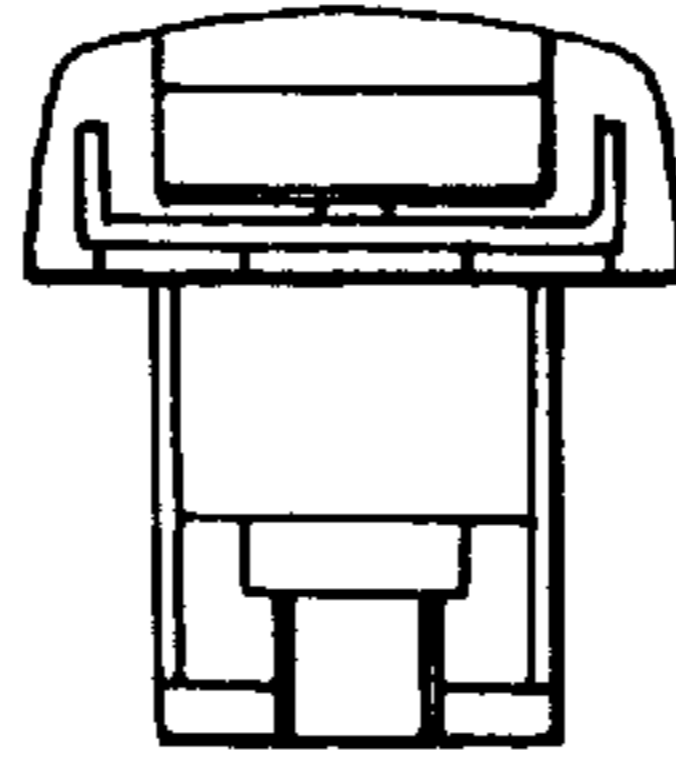


FIG. 1

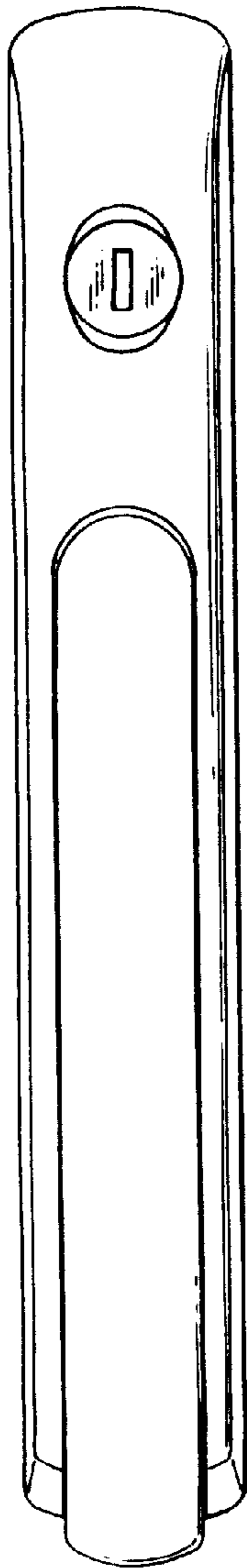


FIG. 4

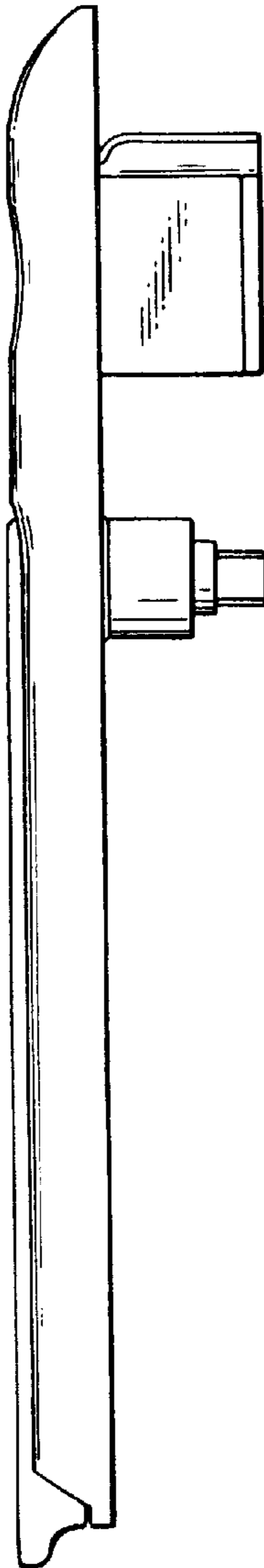


FIG. 5

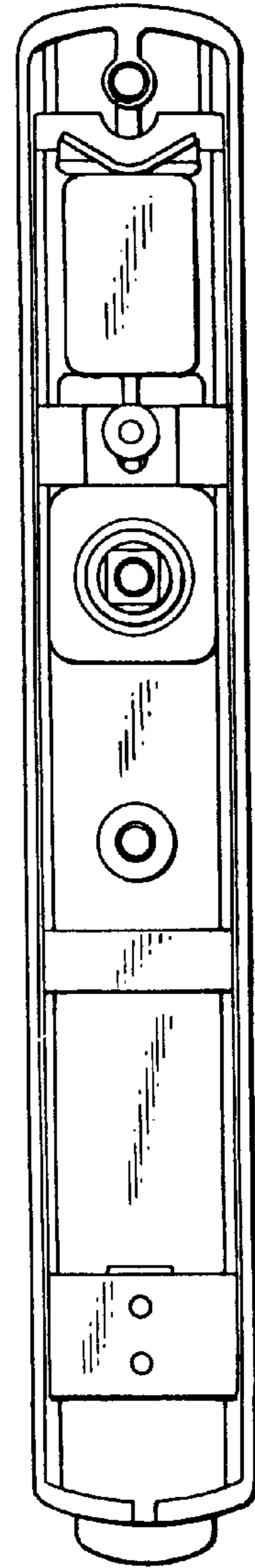


FIG. 6

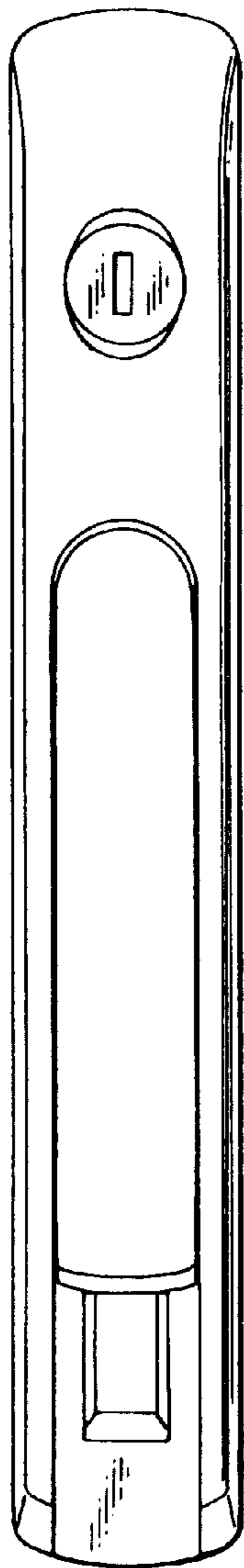


FIG. 7

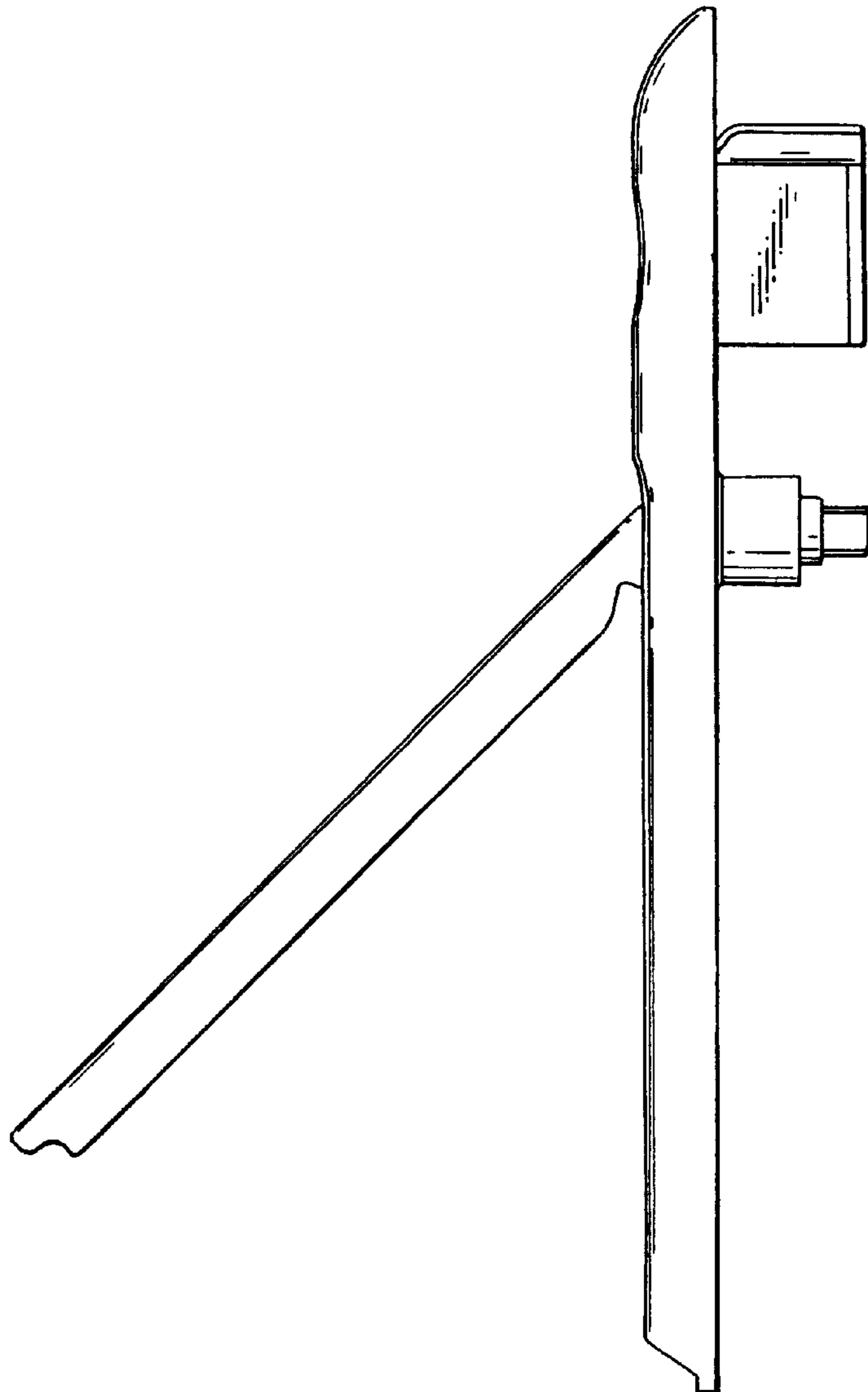


FIG. 8

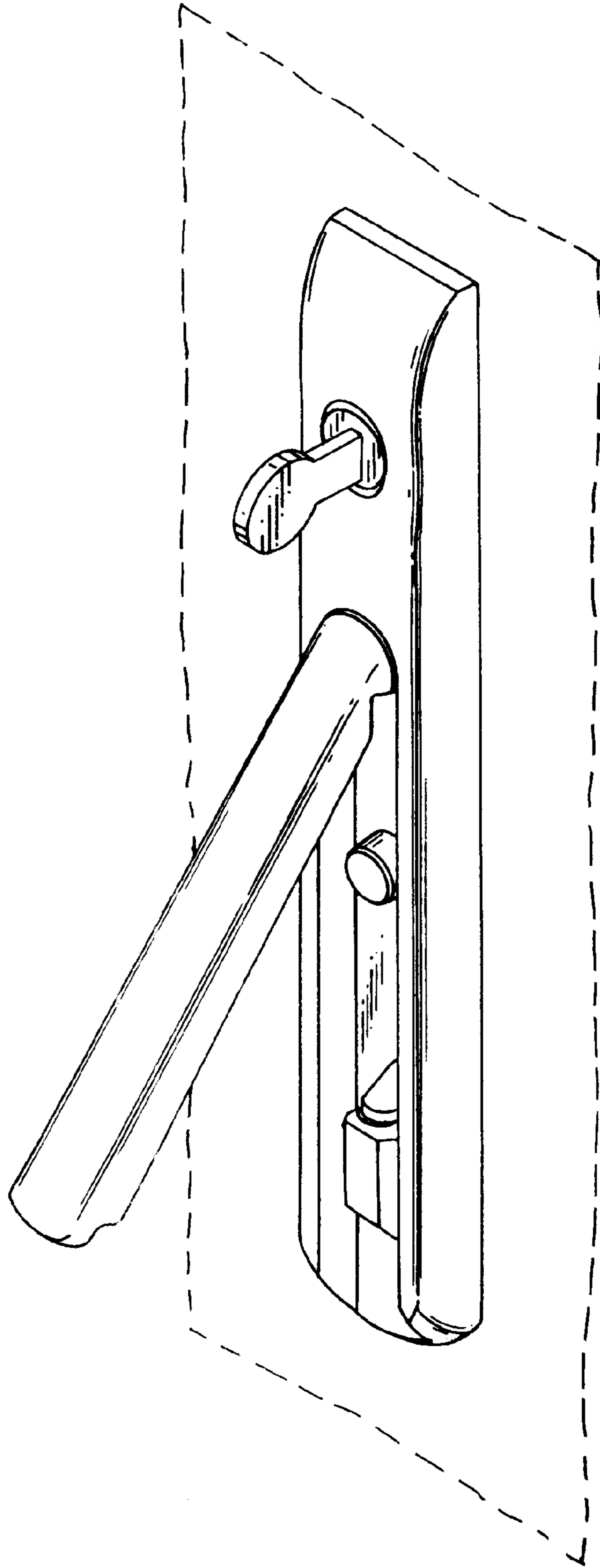
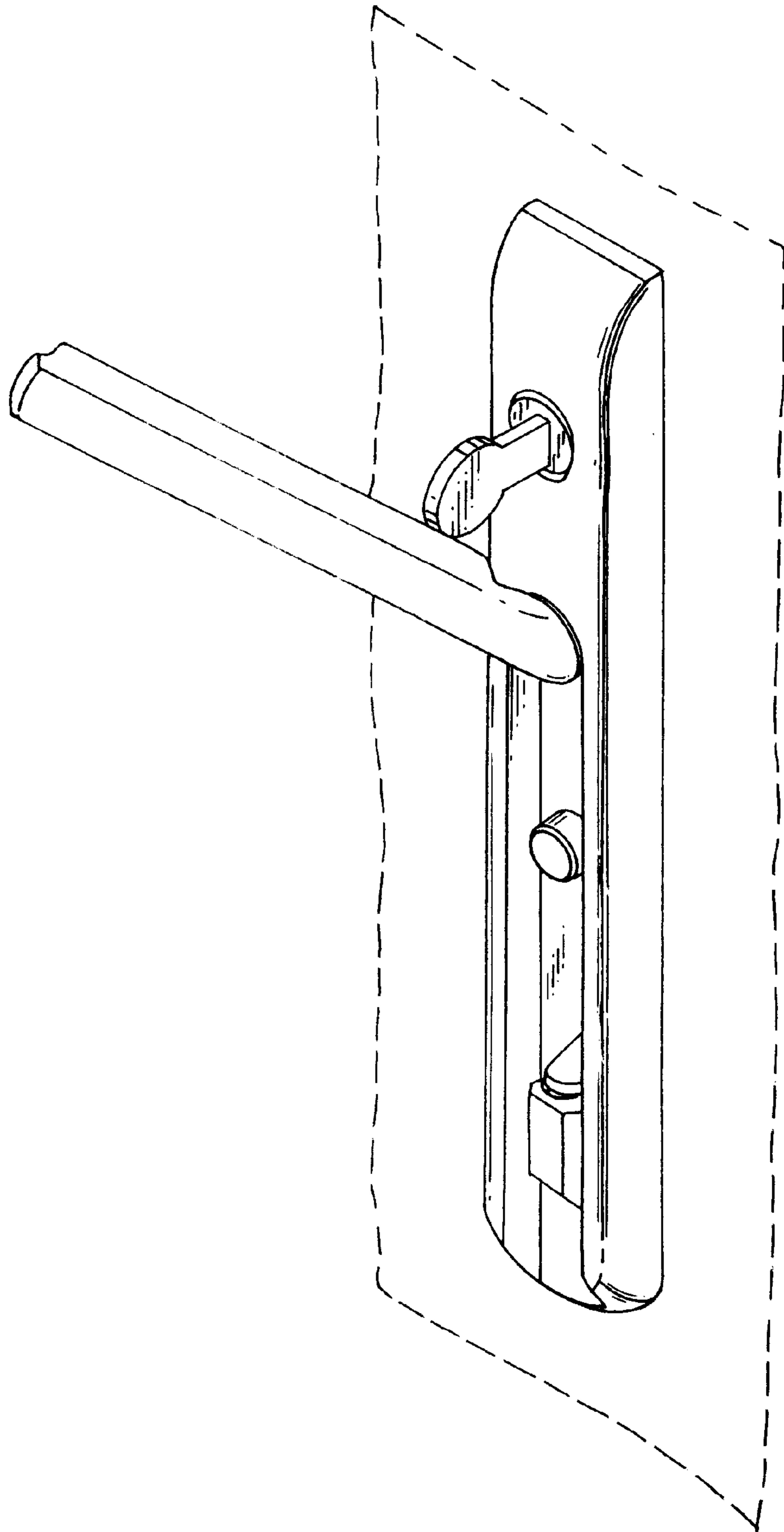


FIG. 9



UNITED STATES PATENT AND TRADEMARK OFFICE
CERTIFICATE OF CORRECTION

PATENT NO. : Des 444,372 S
DATED : July 3, 2001
INVENTOR(S) : Shiro Segawa

Page 1 of 1

It is certified that error appears in the above-identified patent and that said Letters Patent is hereby corrected as shown below:

Title page,

Item [73], the assignee should be: -- **Takigen Mfg. Co., Ltd.** --.

Signed and Sealed this

Twenty-fifth Day of June, 2002

Attest:



Attesting Officer

JAMES E. ROGAN
Director of the United States Patent and Trademark Office