



US00D444371S

(12) **United States Design Patent**
Leonowich

(10) **Patent No.:** **US D444,371 S**

(45) **Date of Patent:** **** Jul. 3, 2001**

(54) **CAM LEVER LOCK**

(75) **Inventor:** **Stanley W. Leonowich**, Elyria, OH
(US)

(73) **Assignee:** **Plastic Enterprises, Inc.**, Elyria, OH
(US)

(**) **Term:** **14 Years**

(21) **Appl. No.:** **29/122,766**

(22) **Filed:** **May 3, 2000**

(51) **LOC (7) Cl.** **08-07**

(52) **U.S. Cl.** **D8/331; D8/343**

(58) **Field of Search** D8/330, 331, 342,
D8/343, 321; 292/DIG. 38, 113, 66, 24,
31, 83, 85, 303, 240; 285/80, 81, 91, 92,
311, 312, 317, 140; 70/431, 444, 143

(56) **References Cited**

U.S. PATENT DOCUMENTS

D. 288,523	*	3/1987	Mickelson	D8/330
D. 402,181		12/1998	Hayes	D8/343
D. 416,466		11/1999	Leonowich	D8/331
3,124,374		3/1964	Krapp	285/85
3,325,200		6/1967	Fowler	292/113
3,439,942		4/1969	Moore et al.	285/80
4,222,593		9/1980	Lauffenburger	285/85
4,295,670		10/1981	Goodall et al.	285/91
4,647,075		3/1987	Vargo	285/82
4,658,611		4/1987	Deacon	70/360
4,691,543	*	9/1987	Watts	70/143
4,871,195		10/1989	Parrish	285/91
4,877,274		10/1989	Poe	292/113
5,295,717		3/1994	Chen	285/84
5,338,069		8/1994	McCarthy	285/38

5,435,604	7/1995	Chen	285/84
5,722,697	3/1998	Chen	285/91
5,791,694	8/1998	Fahl et al.	285/38
5,816,623	10/1998	Chang	285/81 X

* cited by examiner

Primary Examiner—Susan J. Lucas

Assistant Examiner—Jennifer Rivard

(74) *Attorney, Agent, or Firm*—Sand & Sebolt

(57) **CLAIM**

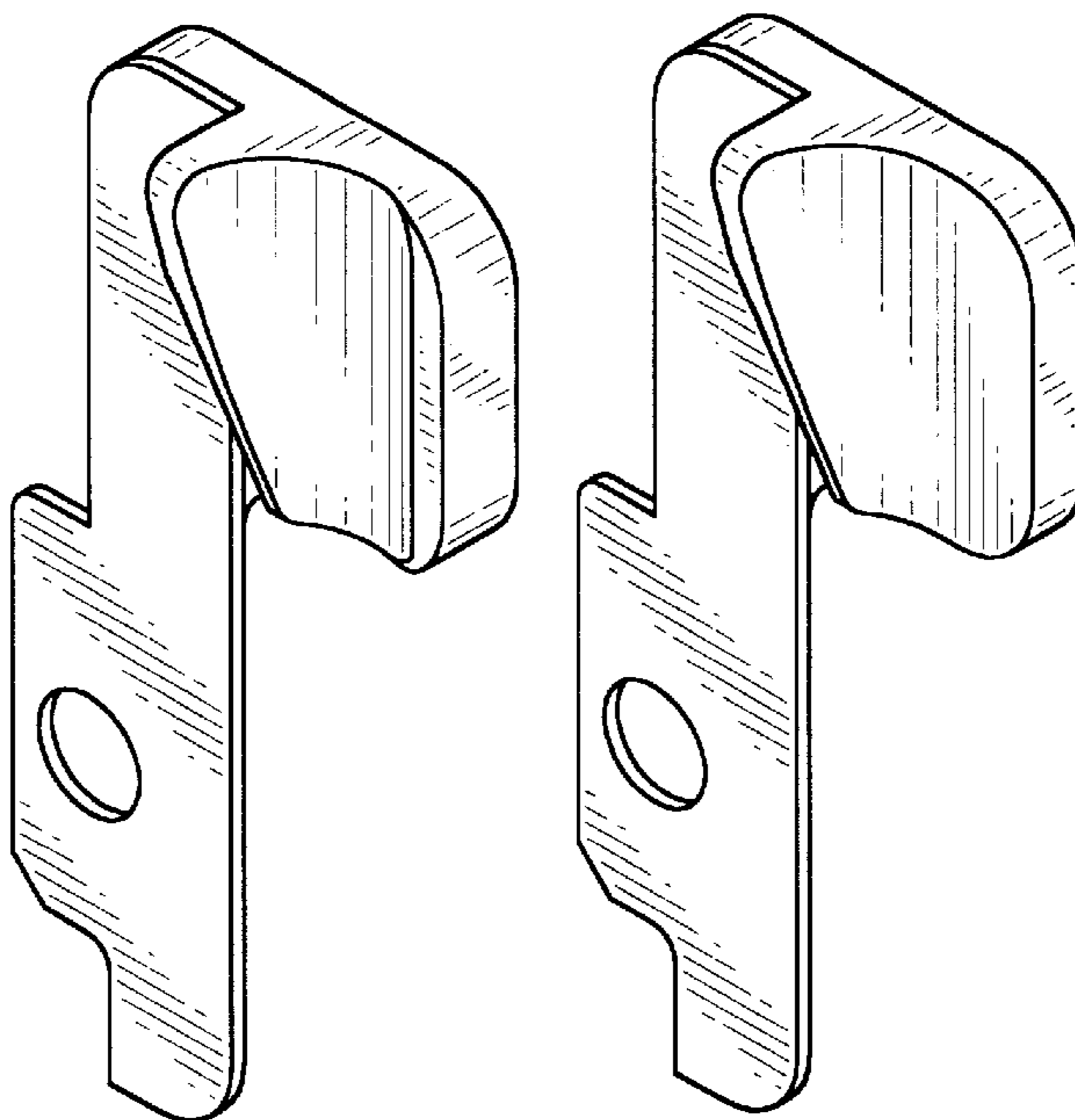
The ornamental design for a cam lever lock, as shown and described.

DESCRIPTION

FIG. 1 is a perspective view of a cam lever lock showing my new design;
 FIG. 2 is a front elevational view of the cam lever lock of FIG. 1 depicted in its environment;
 FIG. 3 is a top plan view of FIG. 2;
 FIG. 4 is a rear elevational view of FIG. 2;
 FIG. 5 is a left side elevational view of FIG. 2;
 FIG. 6 is a right side elevational view of FIG. 2;
 FIG. 7 is a bottom elevational view of FIG. 2;
 FIG. 8 is a perspective view of a cam lever lock showing an alternative design;
 FIG. 9 is a front elevational view of the cam lever lock of FIG. 8 depicted in its environment;
 FIG. 10 is a top plan view of FIG. 9;
 FIG. 11 is a rear elevational view of FIG. 9;
 FIG. 12 is a left side elevational view of FIG. 9;
 FIG. 13 is a right side elevational view of FIG. 9; and,
 FIG. 14 is a bottom elevational view of FIG. 9.

The broken lines are shown for illustrative purposes only and form no part of the claimed design.

1 Claim, 4 Drawing Sheets



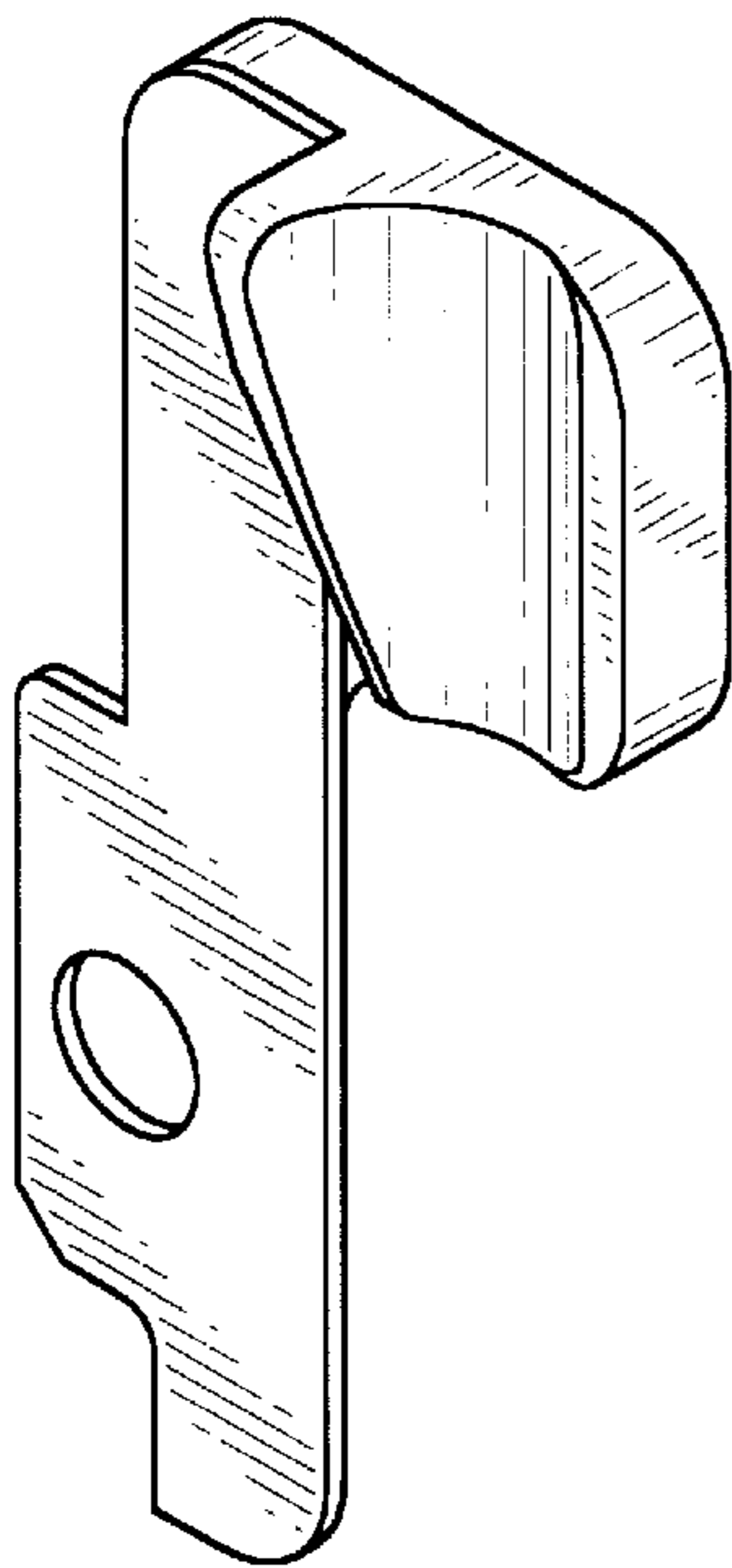


FIG-1

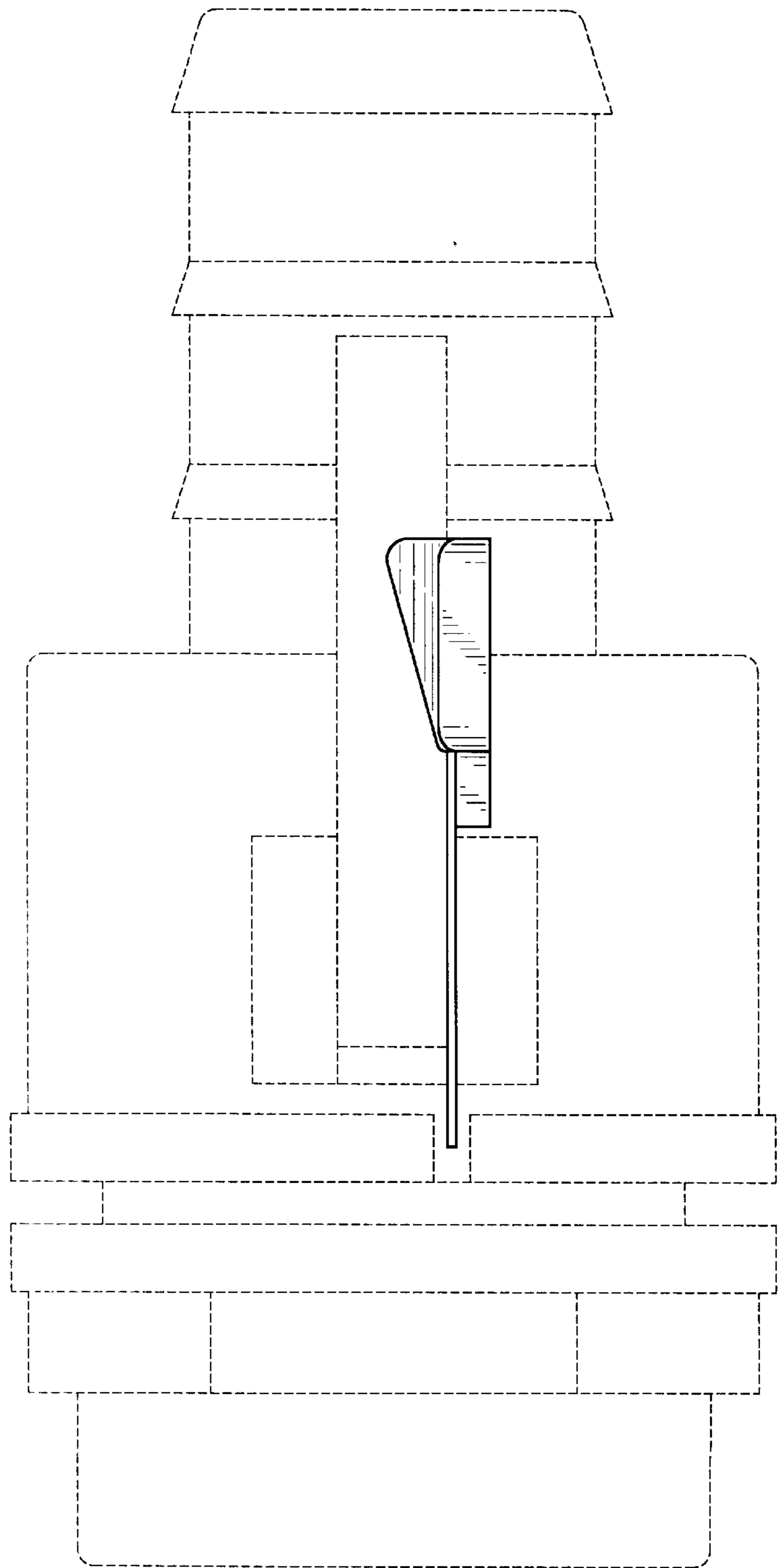


FIG-2

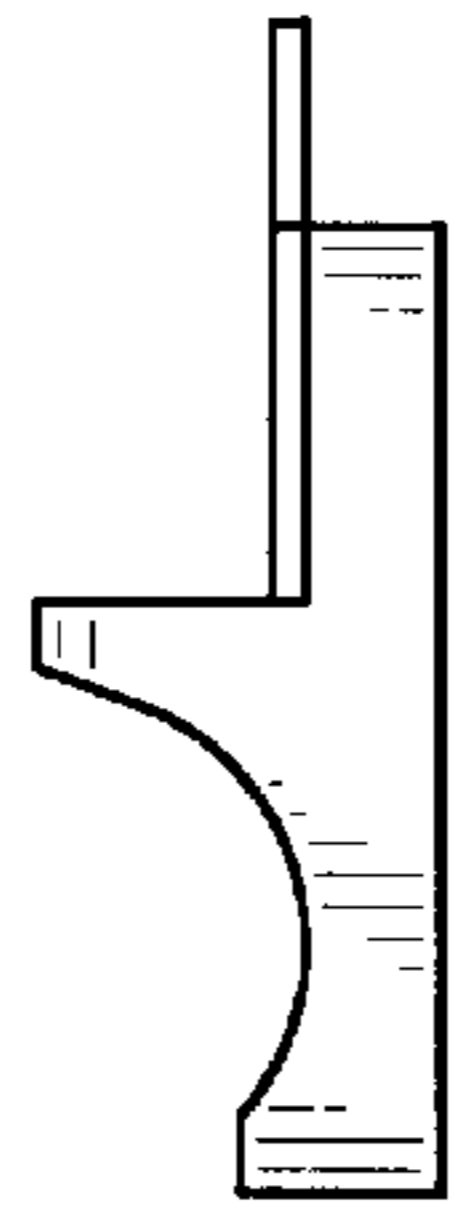


FIG-3

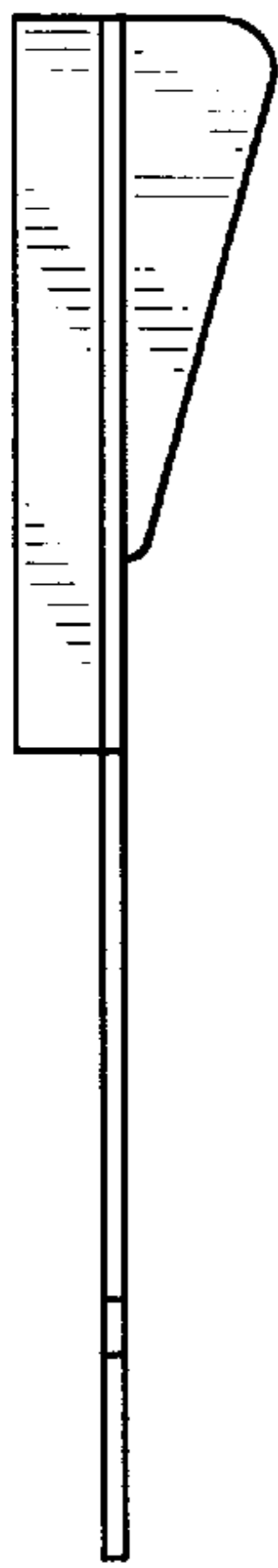


FIG-4

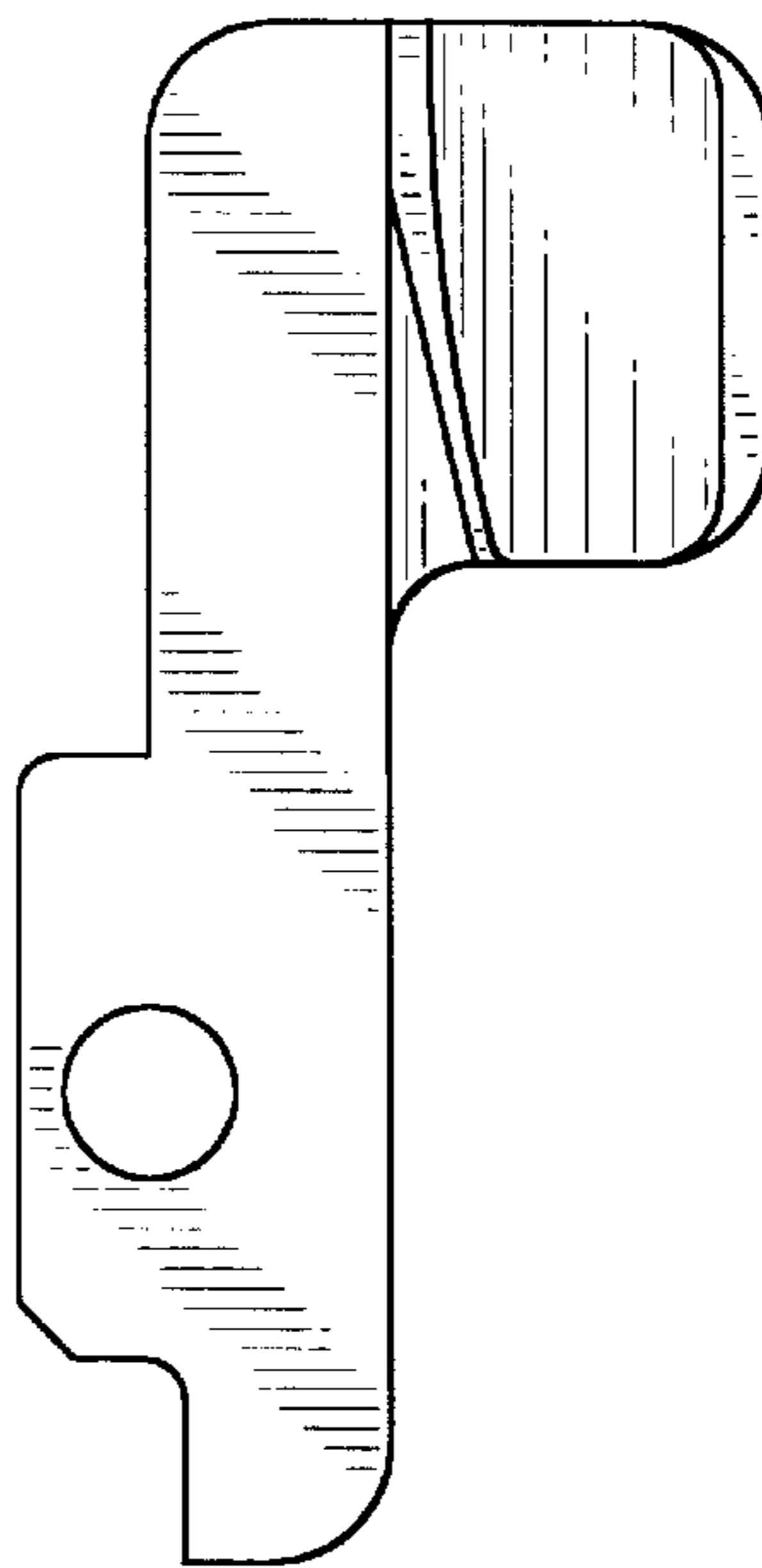


FIG-5

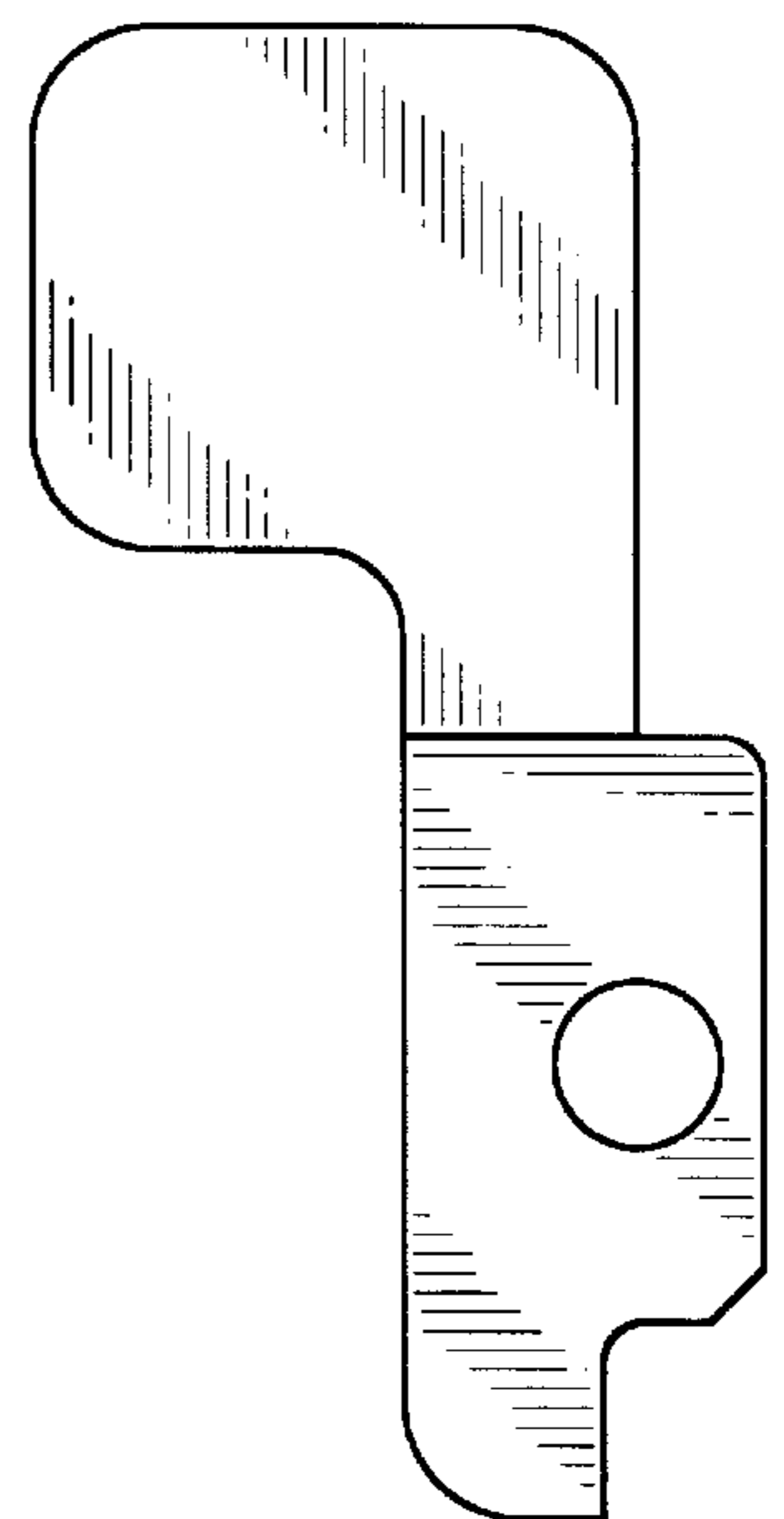


FIG-6

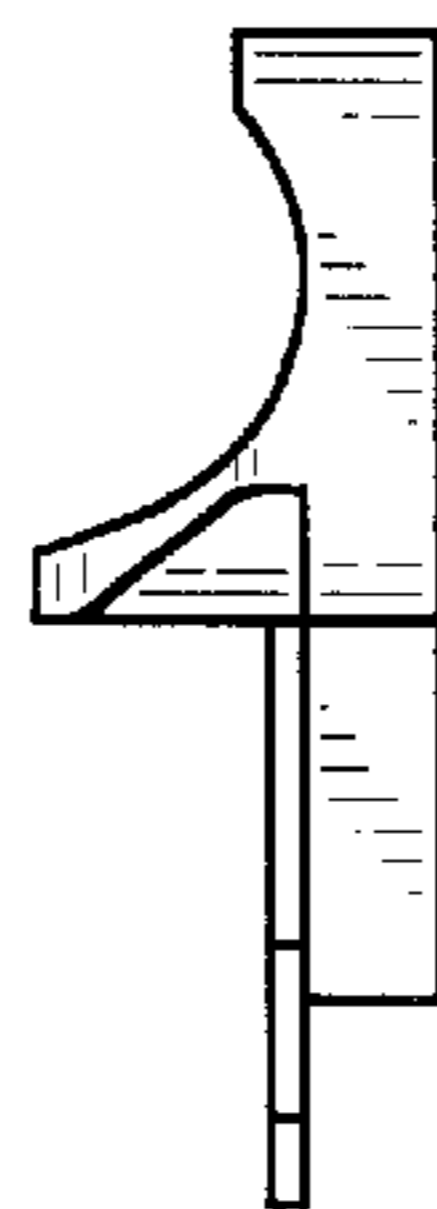


FIG-7

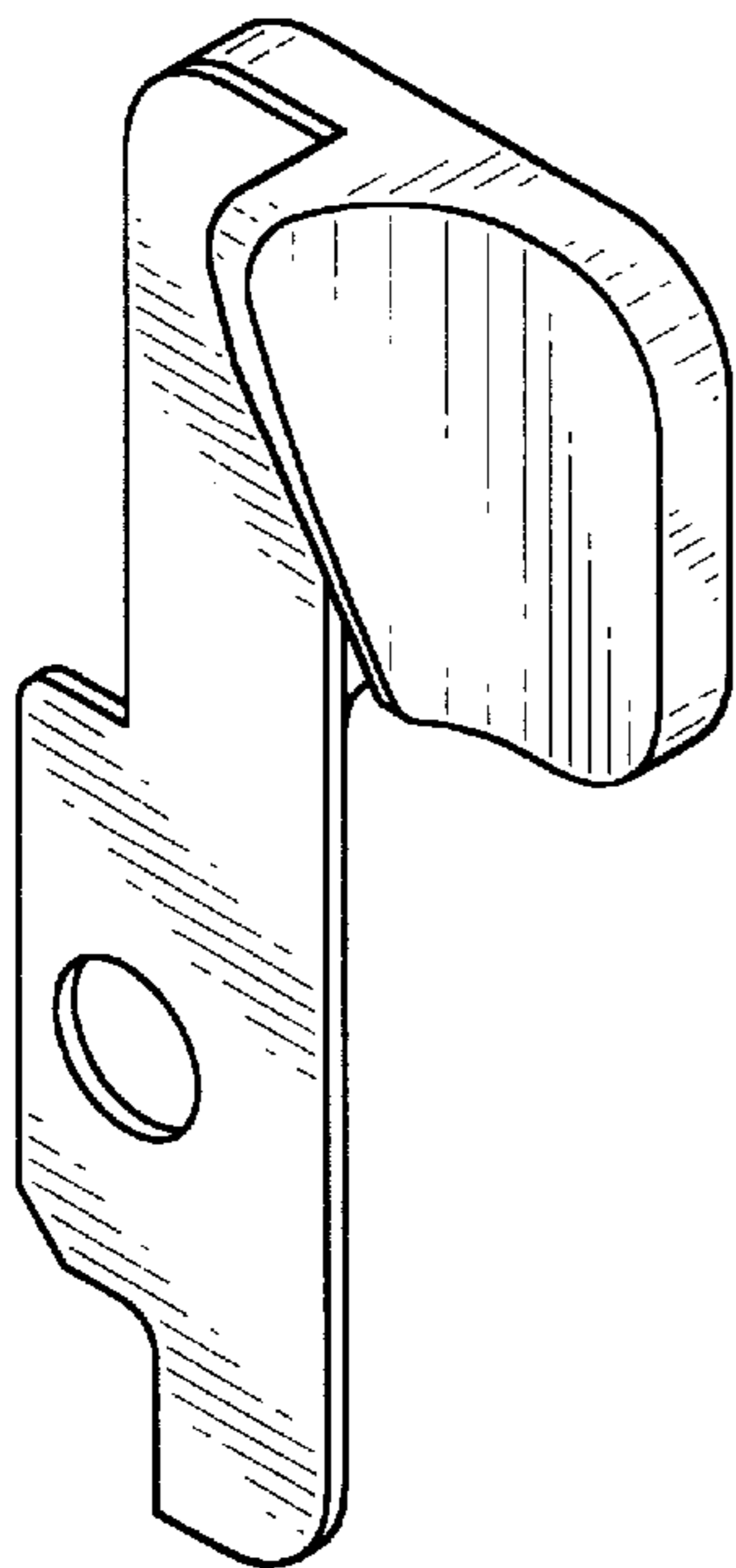


FIG-8

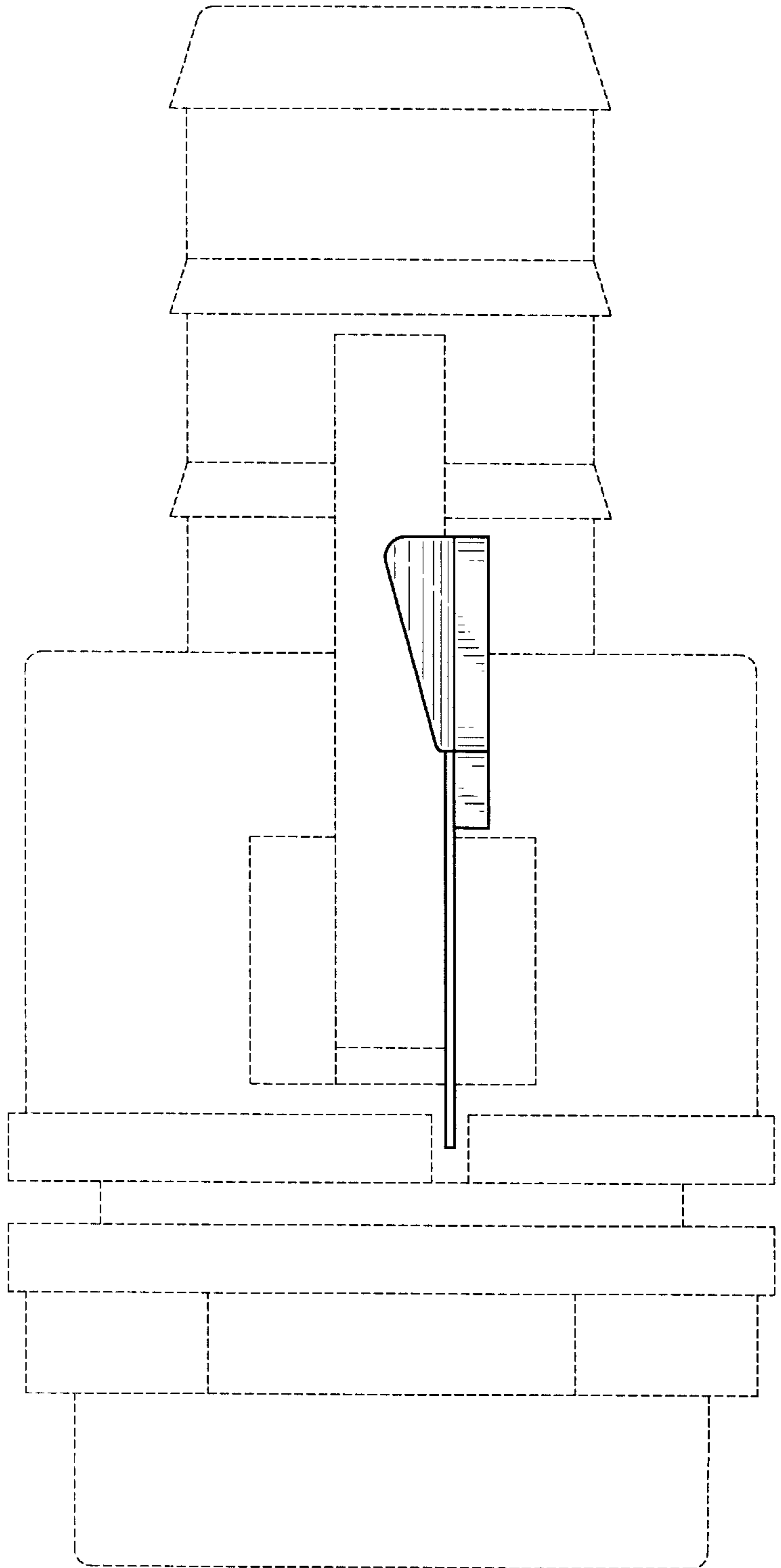


FIG-9

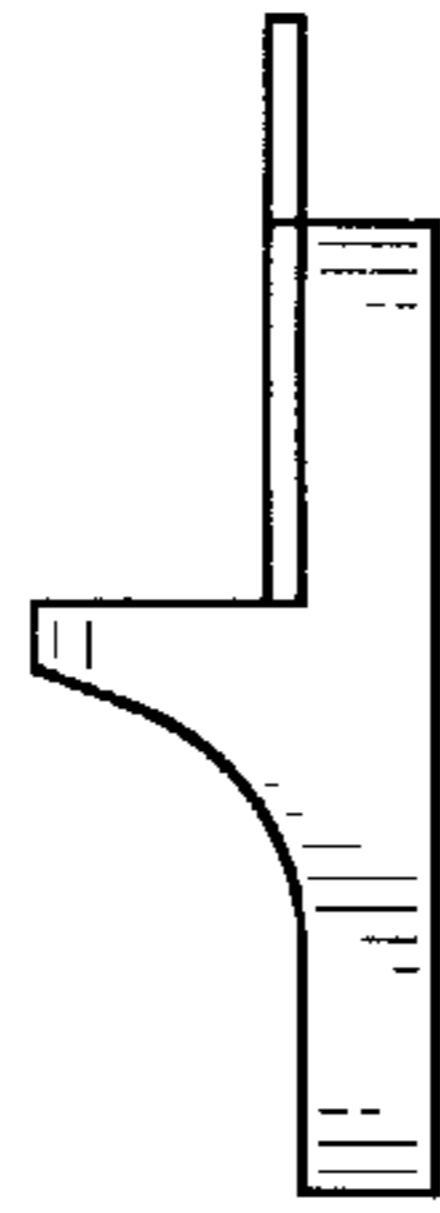


FIG-10

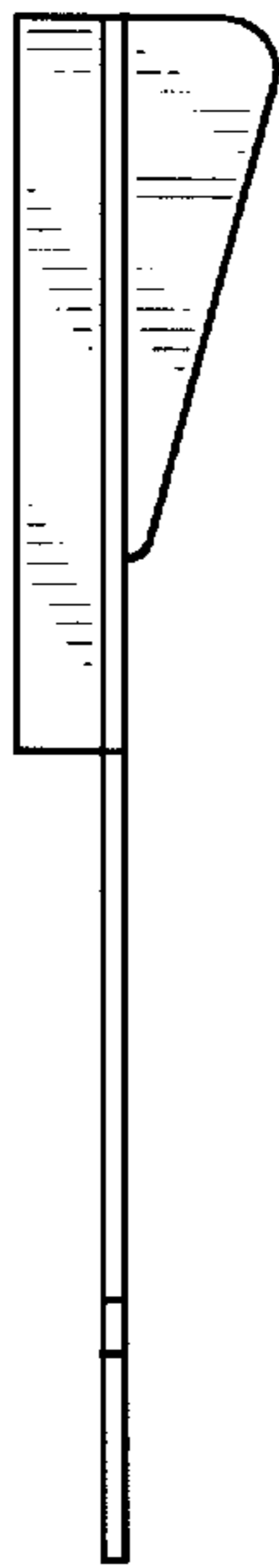


FIG-11

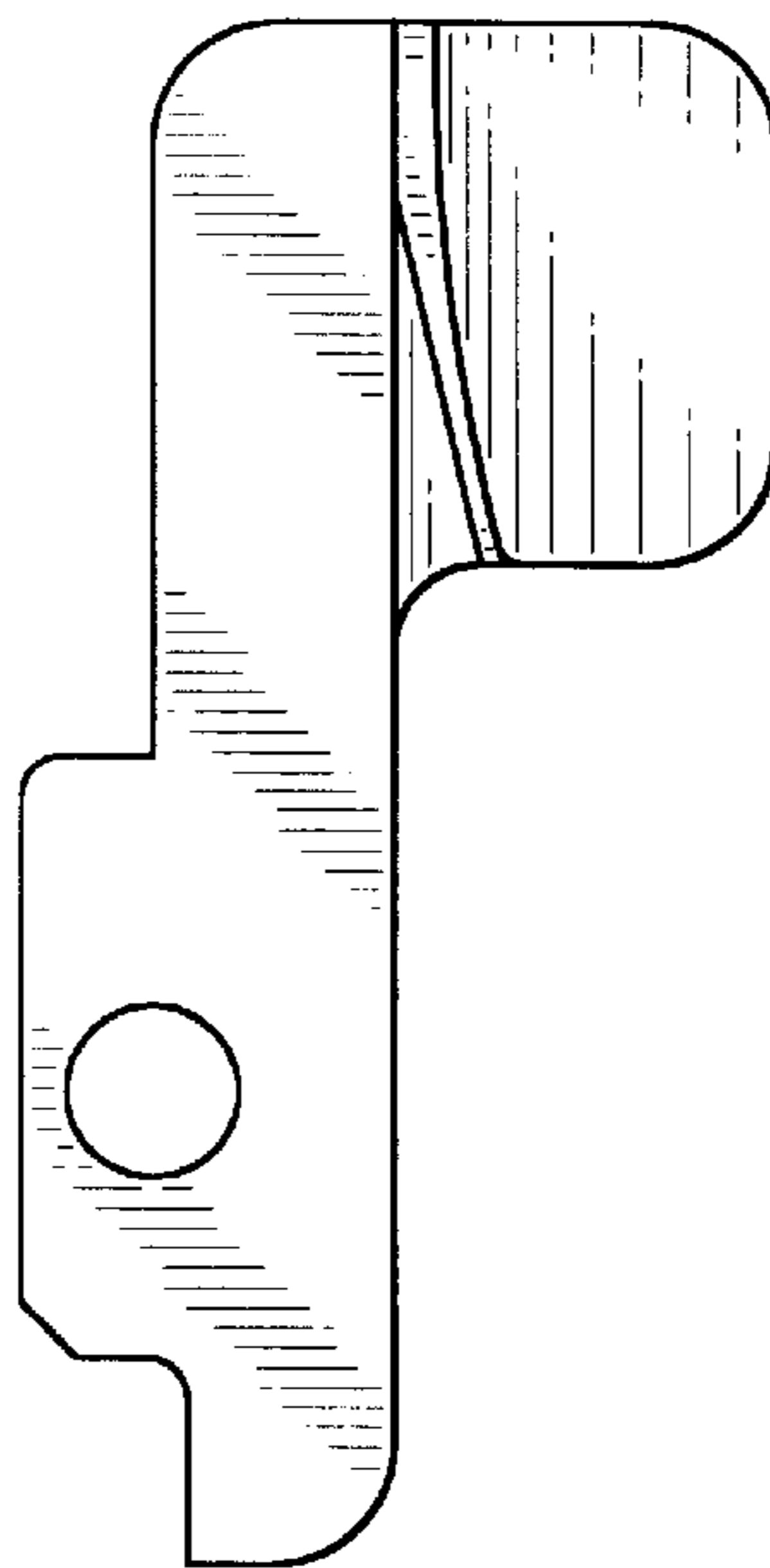


FIG-12

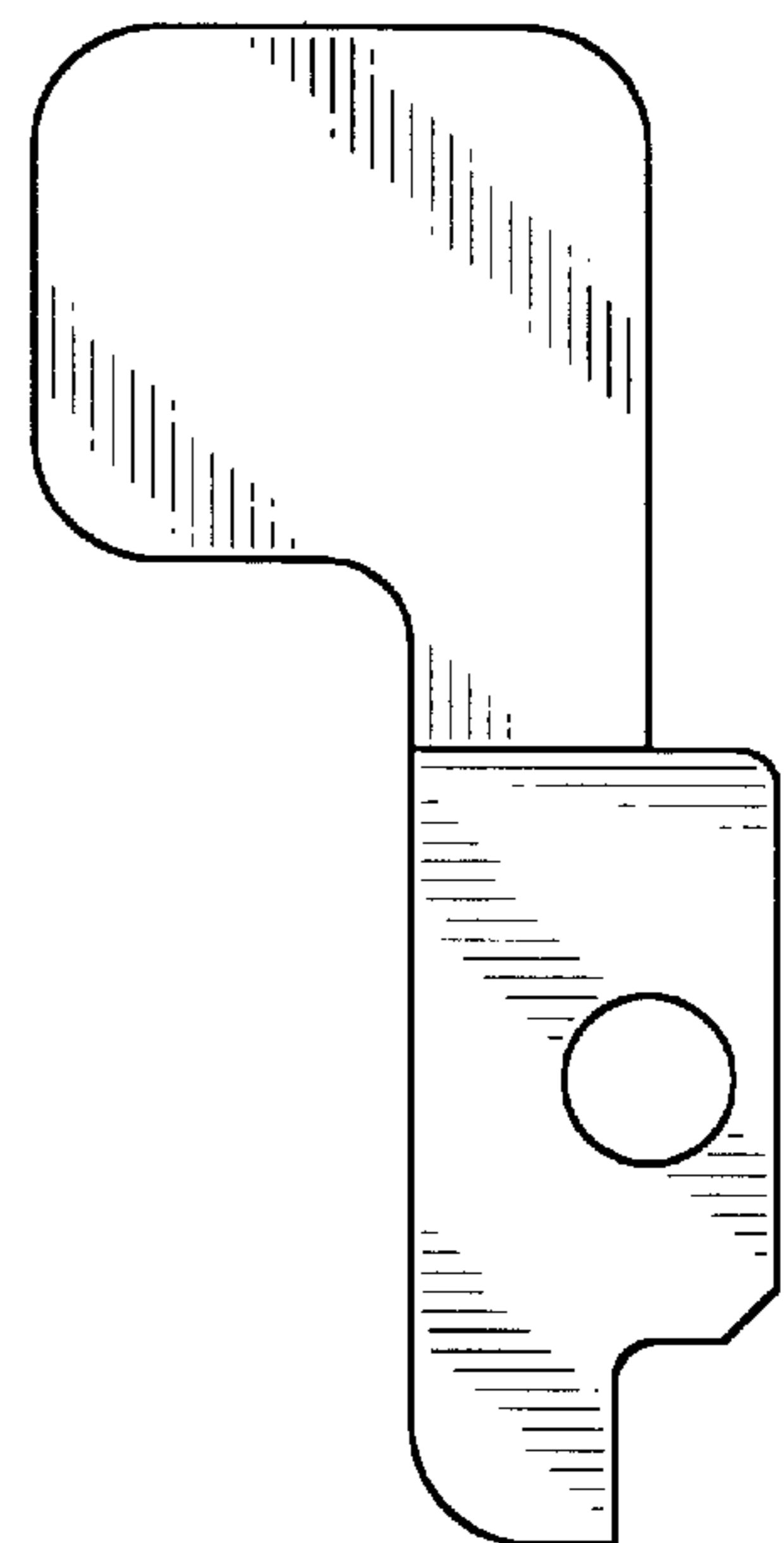


FIG-13

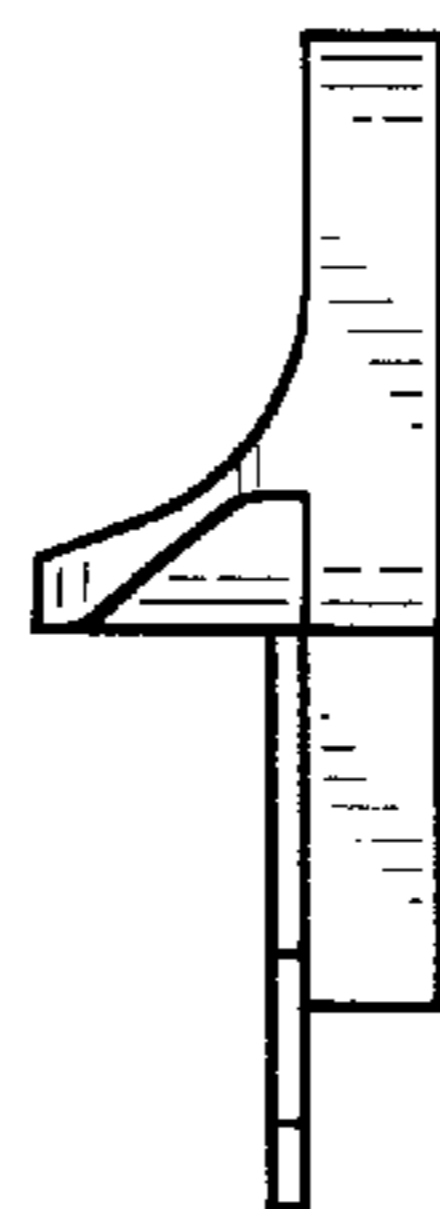


FIG-14