



US00D444368S

(12) **United States Design Patent**
Wonderley

(10) **Patent No.:** **US D444,368 S**

(45) **Date of Patent:** **** Jul. 3, 2001**

(54) **RETRACTABLE UTILITY KNIFE**

(75) **Inventor:** **Jeffrey W. Wonderley**, Ft. Defiance,
VA (US)

(73) **Assignee:** **American Safety Razor**, Verona, VA
(US)

(**) **Term:** **14 Years**

(21) **Appl. No.:** **29/123,144**

(22) **Filed:** **May 12, 2000**

Related U.S. Application Data

(63) Continuation-in-part of application No. 29/104,580, filed on
May 7, 1999, now Pat. No. Des. 424,907.

(51) **LOC (7) Cl.** **08-03**

(52) **U.S. Cl.** **D8/99**

(58) **Field of Search** D8/98, 99; 30/162,
30/155, 320, 329, 335

(56) **References Cited**

U.S. PATENT DOCUMENTS

D. 249,325	*	9/1978	Rollband	D8/99
D. 311,675	*	10/1990	Wilson et al.	D8/99
D. 311,854	*	11/1990	Wilson et al.	D8/99
D. 319,378		8/1991	Wilcox	D8/99
D. 395,219	*	6/1998	Ghavami	D8/99
D. 400,774	*	11/1998	Ghavami	D8/99
D. 413,783	*	9/1999	Huang	D8/99
D. 424,907		5/2000	Wonderley	D8/99
1,603,914		10/1926	Hermann	.	
1,864,011		6/1932	Brown	.	
3,063,147		11/1962	Paparelli	30/154
3,132,371		5/1964	Enos et al.	16/90
3,192,624		7/1965	Gringer	30/162
3,518,758		7/1970	Bennett	30/154
3,879,847		4/1975	Roll	30/162
3,906,627		9/1975	Manning	30/162
4,091,537		5/1978	Stevenson, Jr.	30/286
4,139,939		2/1979	Crooks	30/2
4,242,795		1/1981	Rollband et al.	30/162

4,621,425	11/1986	Stoutenberg	30/162
4,761,882	8/1988	Silverstein	30/162
4,835,865	6/1989	Knoop	30/162
5,012,581	5/1991	Fletcher et al.	30/162
5,025,558	6/1991	Gilbert	30/162
5,031,322	7/1991	Jacoff	30/162
5,121,544	6/1992	Gilbert	30/162
5,164,871	11/1992	Hughes et al.	360/133
5,386,632	2/1995	Schmidt	30/125
5,481,804	1/1996	Platts	30/162
5,495,670	3/1996	Quinn	30/162
5,581,890	12/1996	Schmidt	30/162
5,603,162	2/1997	Chen	30/162
5,617,635	4/1997	Berns	30/162
5,644,843	7/1997	Young	30/124
5,806,189	9/1998	Bailey	30/125

(List continued on next page.)

Primary Examiner—Philip S. Hyder

(74) *Attorney, Agent, or Firm*—McDermott, Will & Emery

(57) **CLAIM**

The ornamental design for a retractable utility knife, as shown and described.

DESCRIPTION

FIG. 1 is a front side view showing a retractable utility knife according to the present invention wherein a front portion of a casing of the retractable utility knife is transparent;

FIG. 2 is rear side view showing the retractable utility knife according to the present invention wherein a rear portion of the casing is opaque;

FIG. 3 is top plan view of the retractable utility knife according to the present invention;

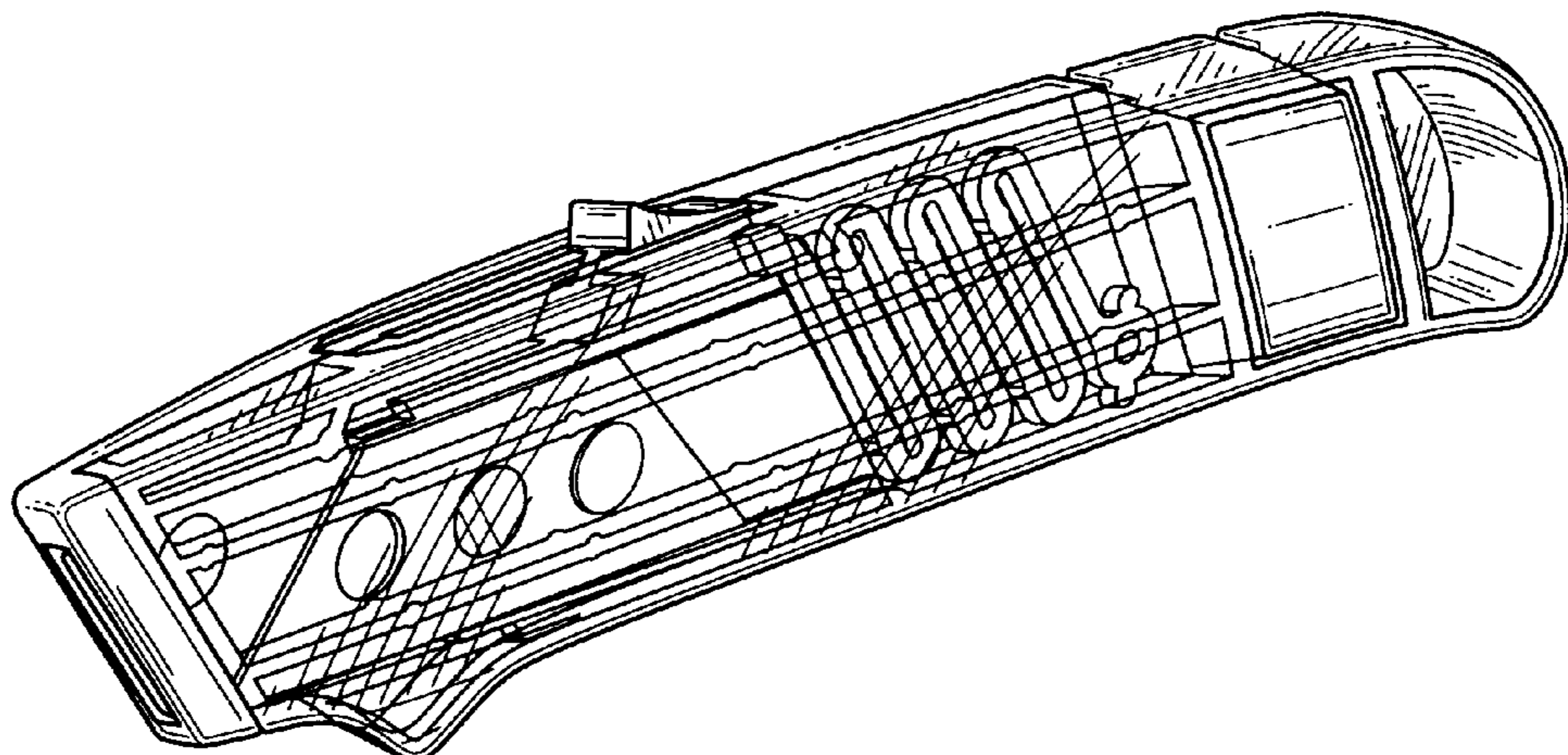
FIG. 4 is a bottom plan view of the retractable utility knife according to the present invention;

FIG. 5 is a front end view of the retractable utility knife according to the present invention;

FIG. 6 is a rear end view of the retractable utility knife according to the present invention; and,

FIG. 7 is a perspective view of the retractable utility knife according to the present invention.

1 Claim, 3 Drawing Sheets



US D444,368 S

Page 2

U.S. PATENT DOCUMENTS

			5,960,544	10/1999	Beyers	30/125
			5,966,817	10/1999	Lee	30/162
			6,000,136	12/1999	Owens	30/162
			6,041,505	3/2000	Chen	30/123
			6,044,562	4/2000	Dillenbeck	30/162
5,813,121	9/1998	Gringer				30/162
5,868,771	2/1999	Herbert et al.				606/167
5,870,828	2/1999	Polites				30/162
5,875,551	3/1999	Huang				30/151
5,942,203	7/1999	Huang				30/142
5,950,311	9/1999	Huang				30/162

* cited by examiner

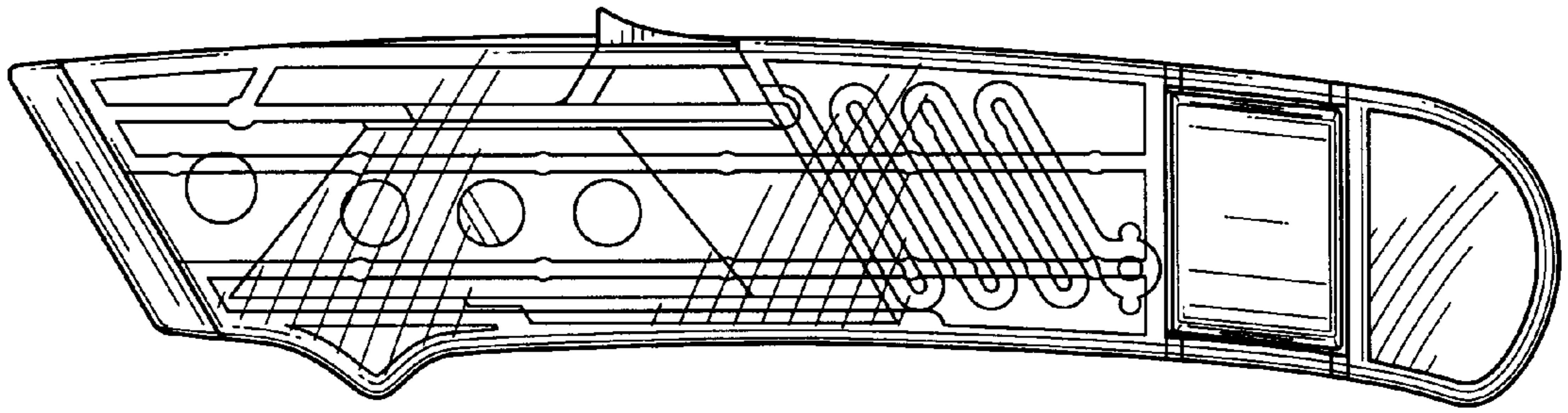


FIG. 1

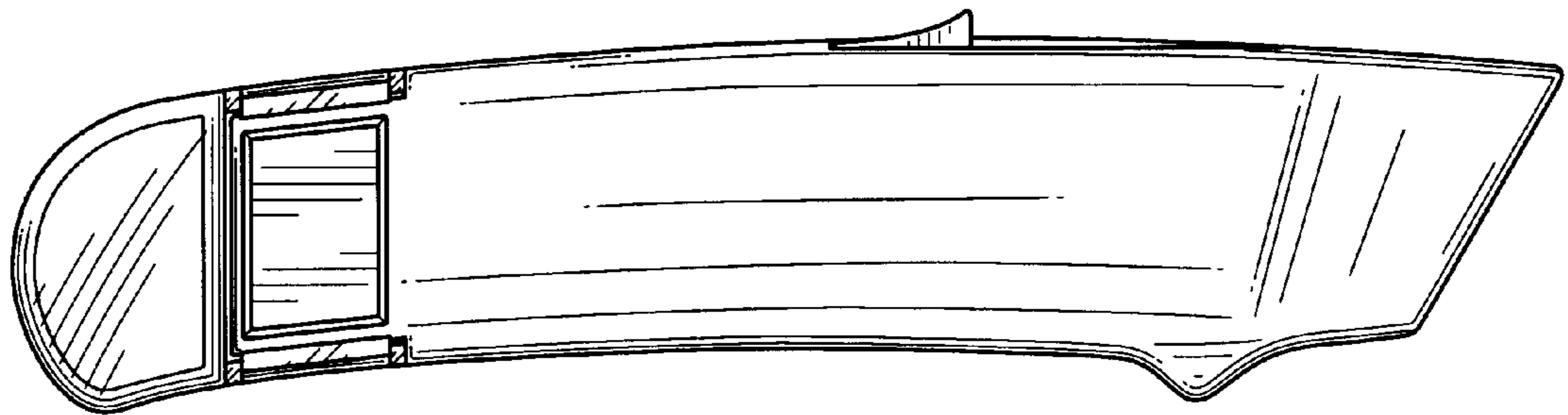


FIG. 2

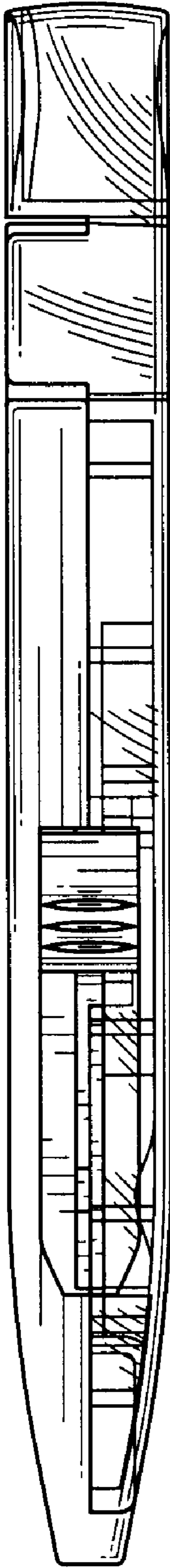


FIG. 3

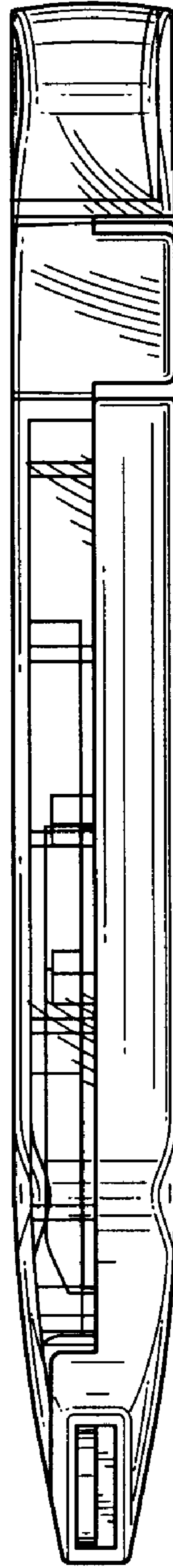


FIG. 4

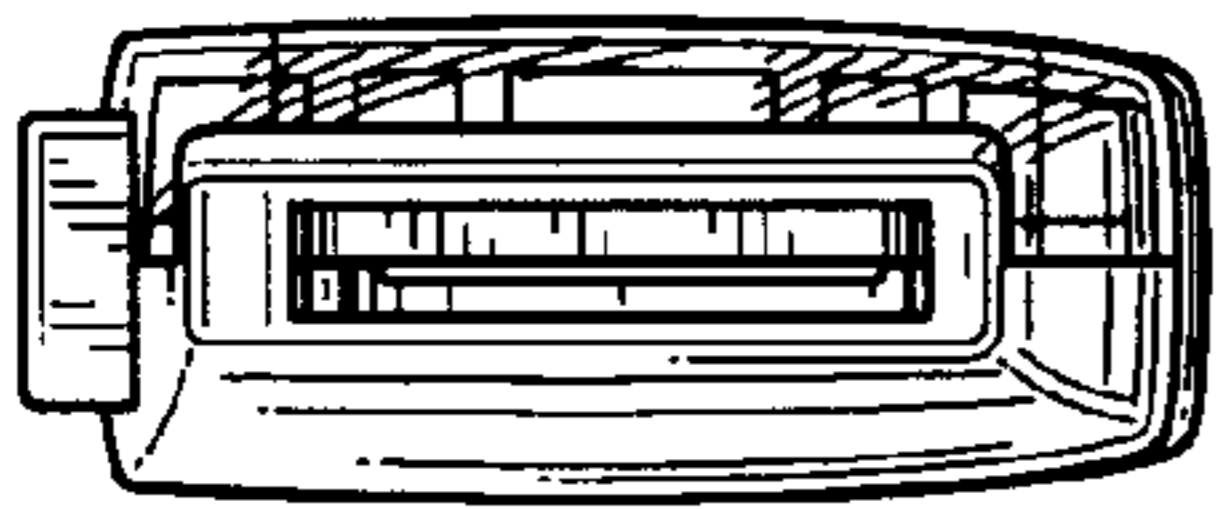


FIG. 5

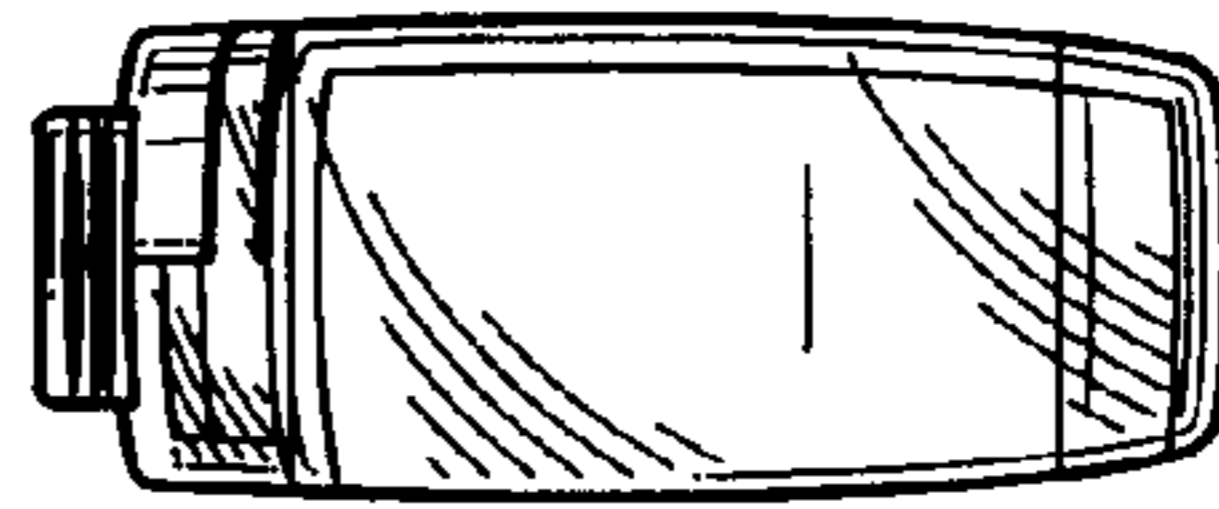


FIG. 6

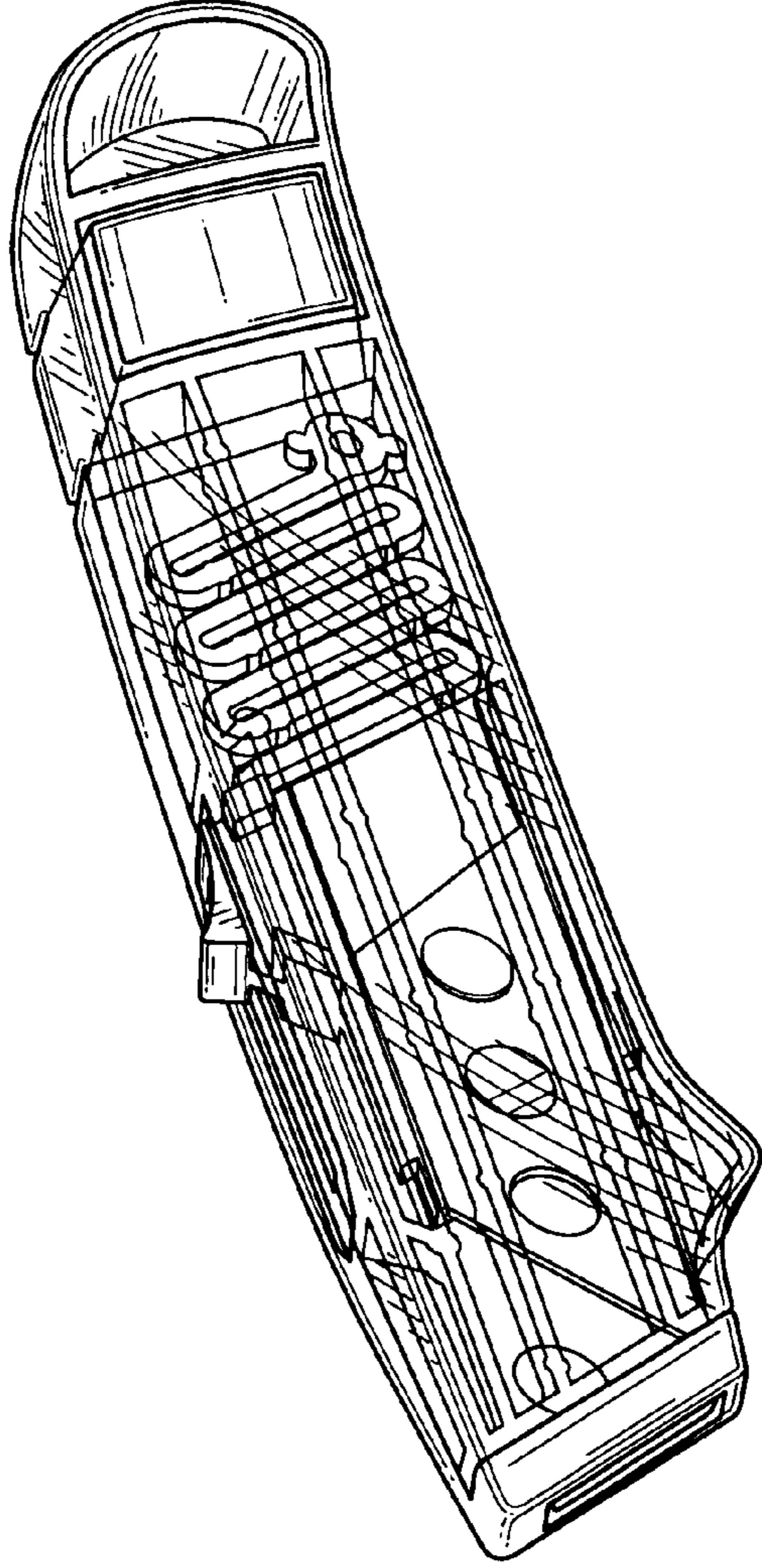


FIG. 7