



US00D444365S

(12) **United States Design Patent**  
**Bass et al.**

(10) **Patent No.:** **US D444,365 S**

(45) **Date of Patent:** **\*\* Jul. 3, 2001**

(54) **HANDHELD POWER TOOL HOUSING AND HANDLE**

(75) Inventors: **Gary S. Bass**, Independence, KY (US);  
**Ronald J. Mulford**, Aurora, IN (US)

(73) Assignee: **Campbell Hausfeld/Scott Fetzer Company**, Harrison, OH (US)

(\*\*) Term: **14 Years**

(21) Appl. No.: **29/136,480**

(22) Filed: **Jan. 31, 2001**

(51) **LOC (7) Cl.** ..... **08-01**

(52) **U.S. Cl.** ..... **D8/68**

(58) **Field of Search** ..... D8/61-70; 81/57.11,  
81/54, 57.42; 173/170, 217, 169, 216, 213,  
164, 221, 168, 48; 451/357-359, 344; 310/50

(56) **References Cited**

**U.S. PATENT DOCUMENTS**

D. 101,796	*	11/1936	Seiden	.....	D8/61
D. 154,713	*	8/1949	Robillard	.....	D8/68
D. 200,588	*	3/1965	Brown	.....	D8/61
D. 223,134	*	3/1972	Bunyea	.....	D8/68
D. 233,131	*	10/1974	Slany	.....	D8/68
D. 269,588	*	7/1983	Ludwig	.....	D8/68 X
D. 289,136	*	4/1987	Doman	.....	D8/62
D. 299,411	*	1/1989	Porcaro	.....	D8/68
D. 358,314	*	5/1995	Izumisawa	.....	D8/62
D. 364,544	*	11/1995	Izumisawa	.....	D8/62
D. 430,995	*	9/2000	Izumisawa	.....	D8/62
3,043,274	*	7/1962	Quackenbush	.....	173/221
3,208,722	*	9/1965	Rodiquez et al.	.....	173/221 X
3,295,262	*	1/1967	Brown	.....	451/344
3,642,389	*	2/1972	Chambers et al.	.....	418/107
4,380,270	*	4/1983	Ludwig	.....	173/221
5,406,752	*	4/1995	Neff	.....	451/344
6,161,628	*	12/2000	Liu	.....	173/168

**OTHER PUBLICATIONS**

Desoutter, Inc. catalog, 1968, p. 27, T20 series jig drills.\*  
Cooper Air tools catalog, May 1982, impact wrench at bottom right.\*

Black and Decker catalog, 1985, p. 230, item 2275.\*

Zone King. catalog, ZK-1204 sander.\*

Copies of the front cover, rear cover and pp. 18-29 of a Campbell Hausfeld "Powered Equipment" catalog dated Jul. 2000, labeled "SL955400AV".

Four pages (1-4) which together show an entire undated fanfold Chicago Pneumatic catalog, labeled "AL149710(R1)", no date given.

Copies of both sides of an undated tri-fold Husky "Product Guide" catalog, no date given.

Copies of the front cover and pp. 109-115 of a Sears Craftsman catalog dated "2000-2001".

Copies of the front cover and pp. 2,4,5 and 8 of an undated Florida Pneumatic "Air Tools" catalog, no date given.

Copies of the front cover, title page and pp. 19, 28, 29, 30, 33 and 37 of a Chicago Pneumatic "Air Tools" catalog, copyright 1995.

(List continued on next page.)

*Primary Examiner*—Jeffrey Asch

(74) *Attorney, Agent, or Firm*—Jones, Day, Reavis & Pogue

(57) **CLAIM**

The ornamental design for a handheld power tool housing and handle, as shown and described.

**DESCRIPTION**

FIG. 1 is a perspective view of an apparatus comprising a handheld power tool housing and handle embodying the ornamental design of the present invention;

FIG. 2 is a side view of the apparatus;

FIG. 3 is an opposite side view of the apparatus;

FIG. 4 is a top view of the apparatus;

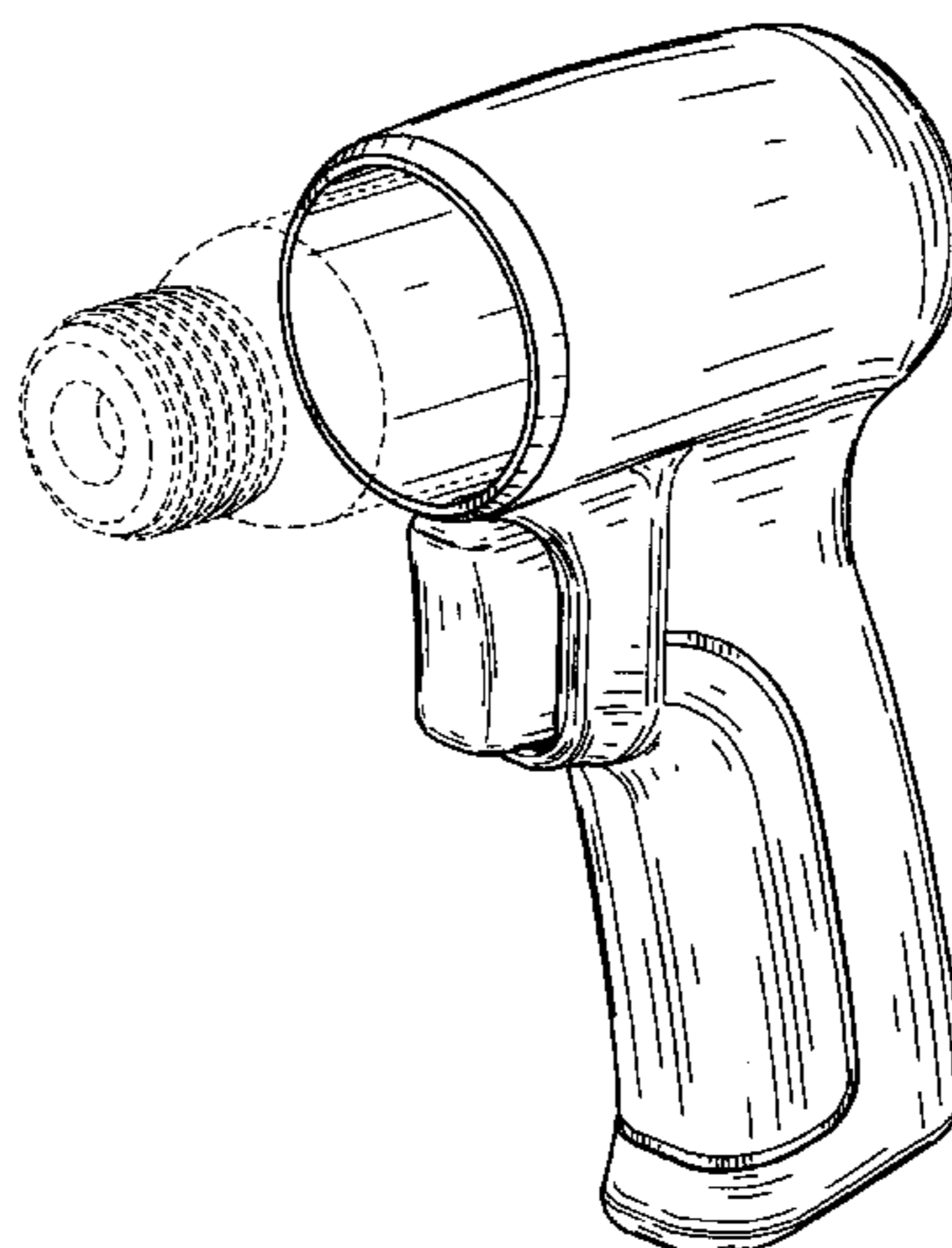
FIG. 5 is a bottom view of the apparatus;

FIG. 6 is a front view of the apparatus; and,

FIG. 7 is a rear view of the apparatus.

The broken line showings of FIGS. 1-7 are for illustrative purposes only and form no part of the claimed design.

**1 Claim, 3 Drawing Sheets**



OTHER PUBLICATIONS

Copies of the front cover, title page and pp. 8, 9, 24 and 25 of a Campbell Hausfeld catalog dated Oct. 1993 and labeled "SL181".

Copies of the front cover and p. 10 of a Chicago Pneumatic catalog dated Aug. 1988 and labeled "75 BP 8/88".

Copy of a 1-page single-sided undated Campbell Hausfeld catalog sheet labeled "High Speed Sander" and "TL1018", no date given.

Copy of a 1-page single-sided undated Campbell Hausfeld catalog sheet labeled "Air Powered Drill" and "TL1006", no date given.

Copy of a 1-page single-sided undated Campbell Hausfeld catalog sheet labeled "Air Chisel" and "TL1003", no date given.

Copy of a 1-page single-sided undated Campbell Hausfeld catalog sheet labeled "Impact Wrench" and "TL1002", no date given.

Copy of a 1-page single-sided undated Campbell Hausfeld catalog sheet labeled "Keyless Chuck Drill" and "PL2545", no date given.

Copy of a 1-page single-sided undated Campbell Hausfeld catalog sheet labeled "Heavy Duty Air Hammer" and "PL2534", no date given.

Copy of a 1-page single-sided undated Campbell Hausfeld catalog sheet labeled "Twin Hammer Impact Wrench" and "PL2502", no date given.

Copy of a 1-page single-sided undated Campbell Hausfeld catalog sheet labeled "Keyless Chuck Reversible Drill" and "PL1545", no date given.

Copy of a 1-page single-sided undated Campbell Hausfeld catalog sheet labeled "Pistol Metal Shear" and "PL1543", no date given.

Copy of a 1-page single-sided undated Campbell Hausfeld catalog sheet labeled "Medium Air Hammer" and "PL1534", no date given.

Copy of a 1-page single-sided undated Campbell Hausfeld catalog sheet labeled "Impact Wrench" and "PL1502", no date given.

\* cited by examiner

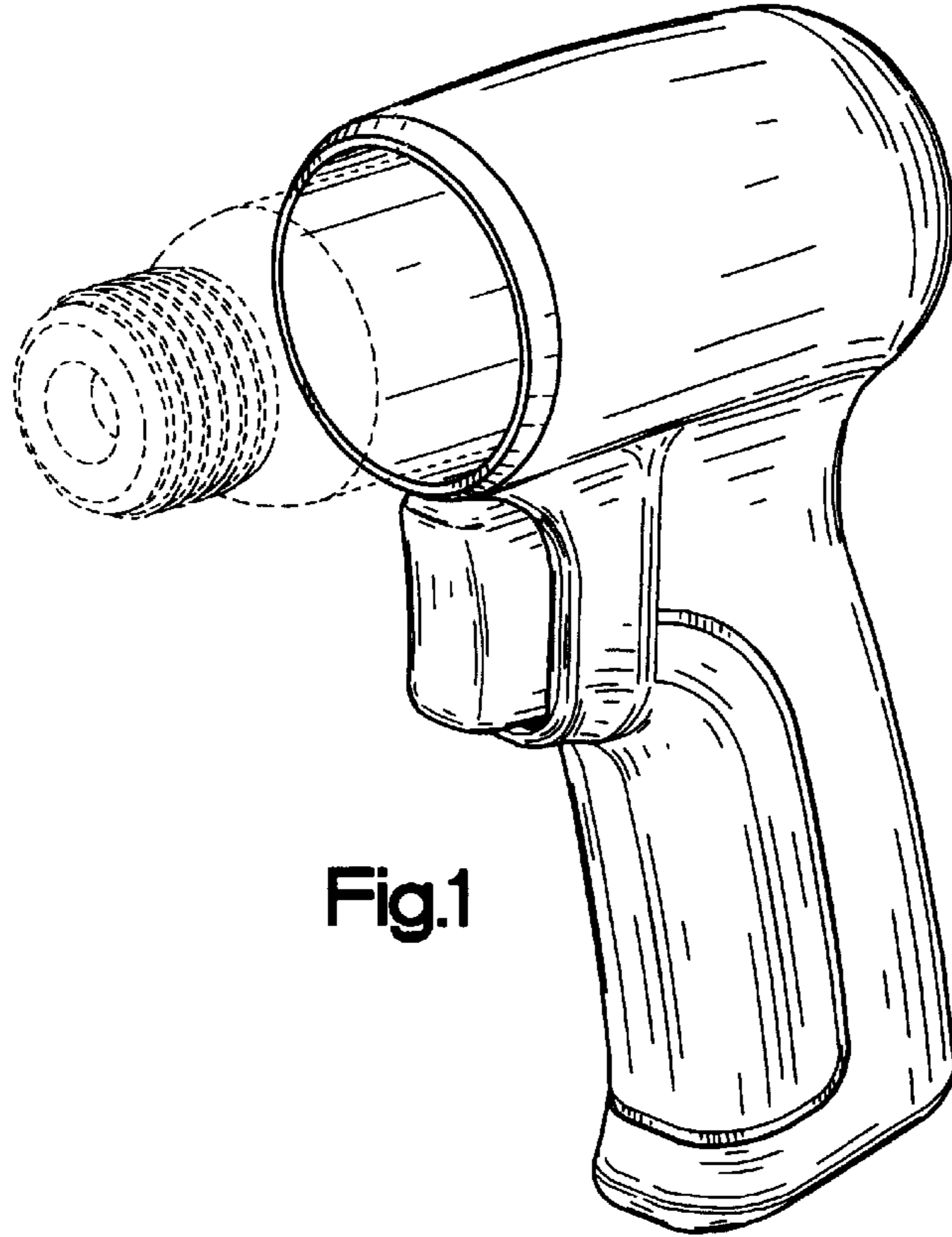


Fig.1

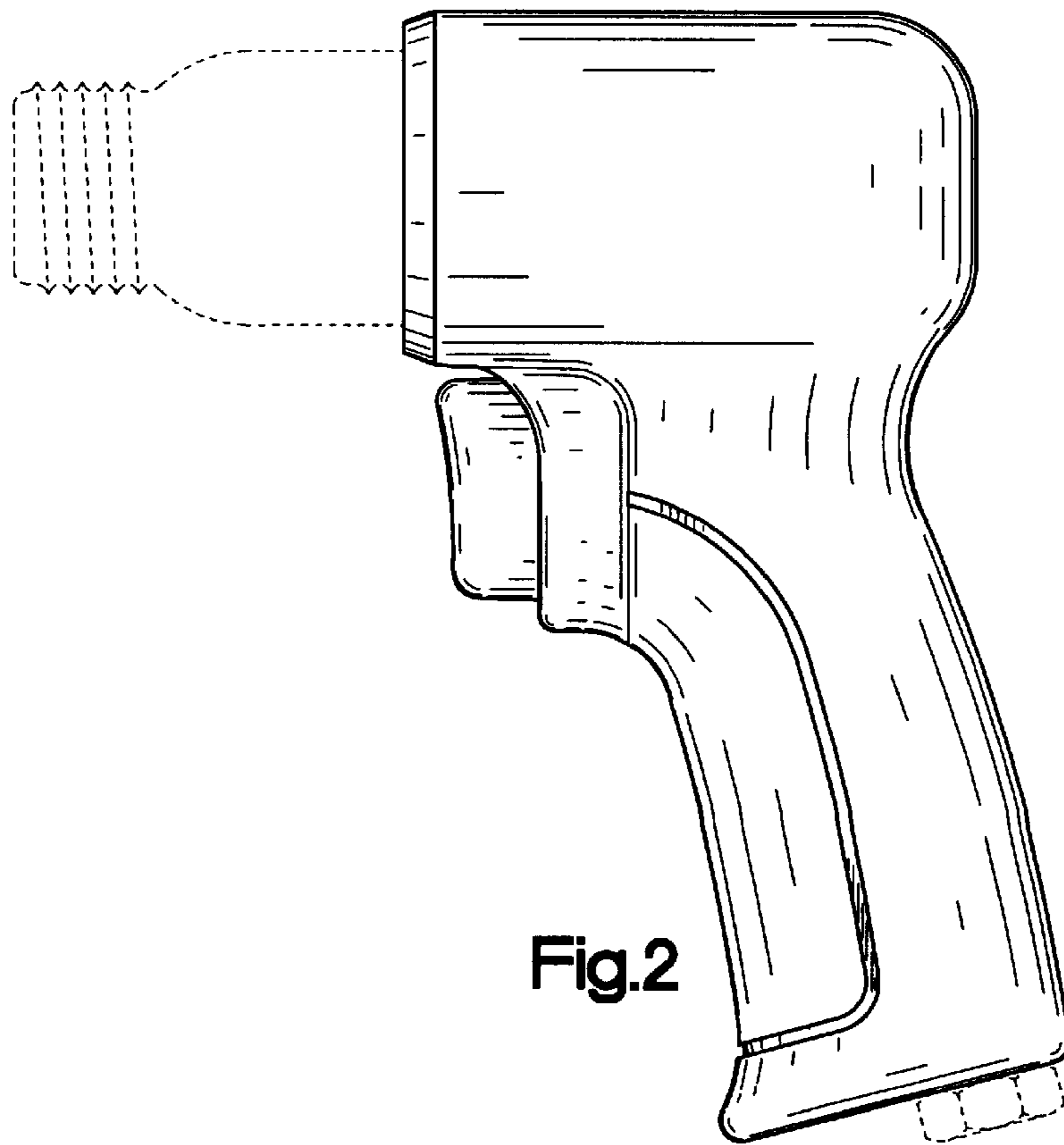


Fig.2

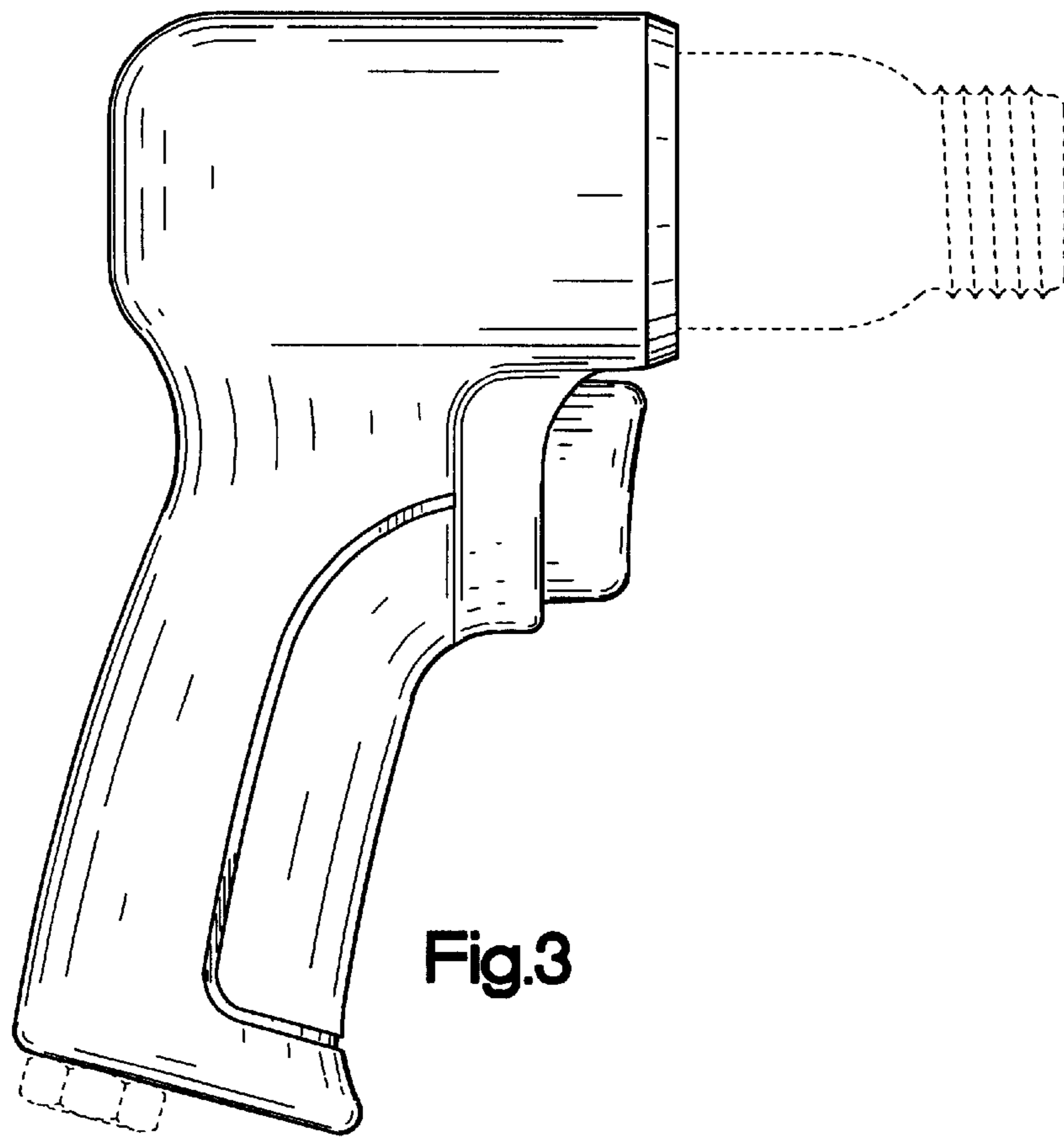


Fig.3

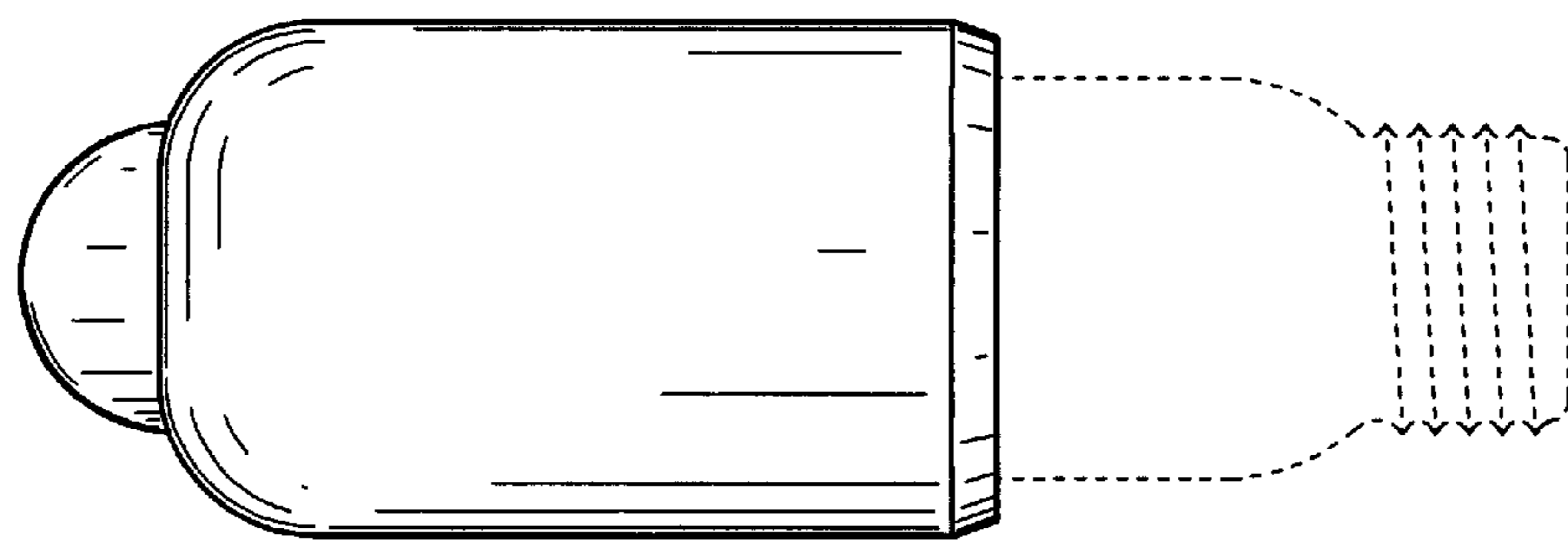


Fig.4

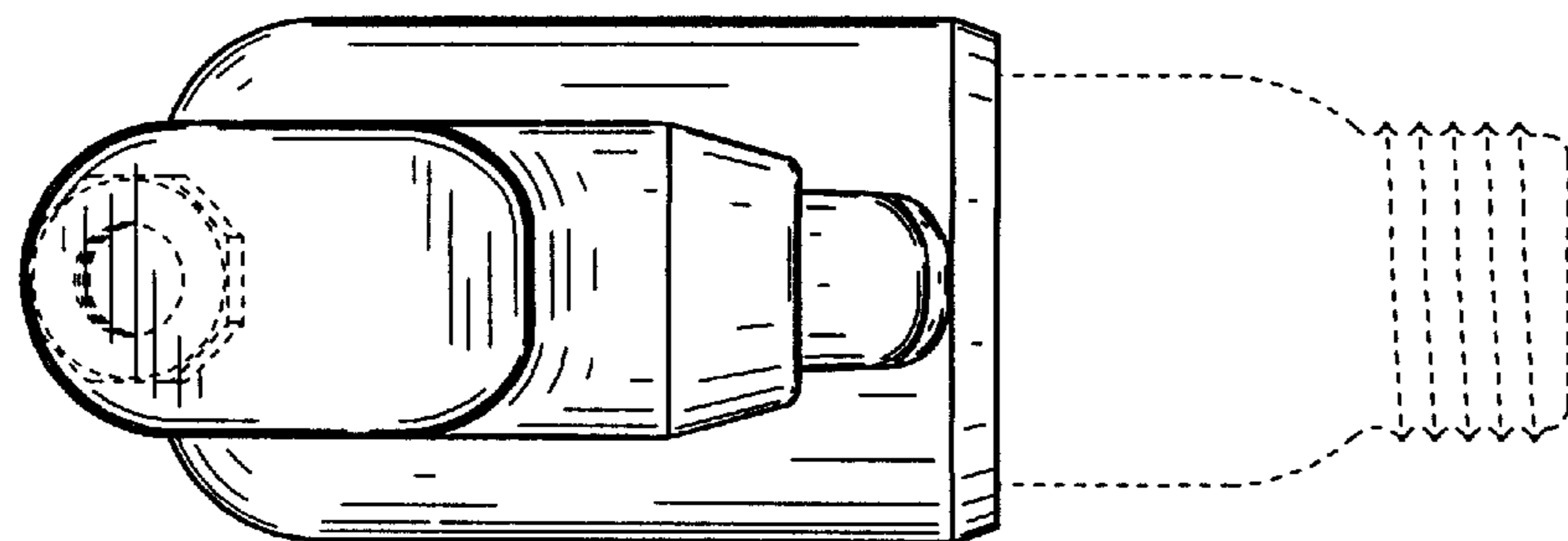
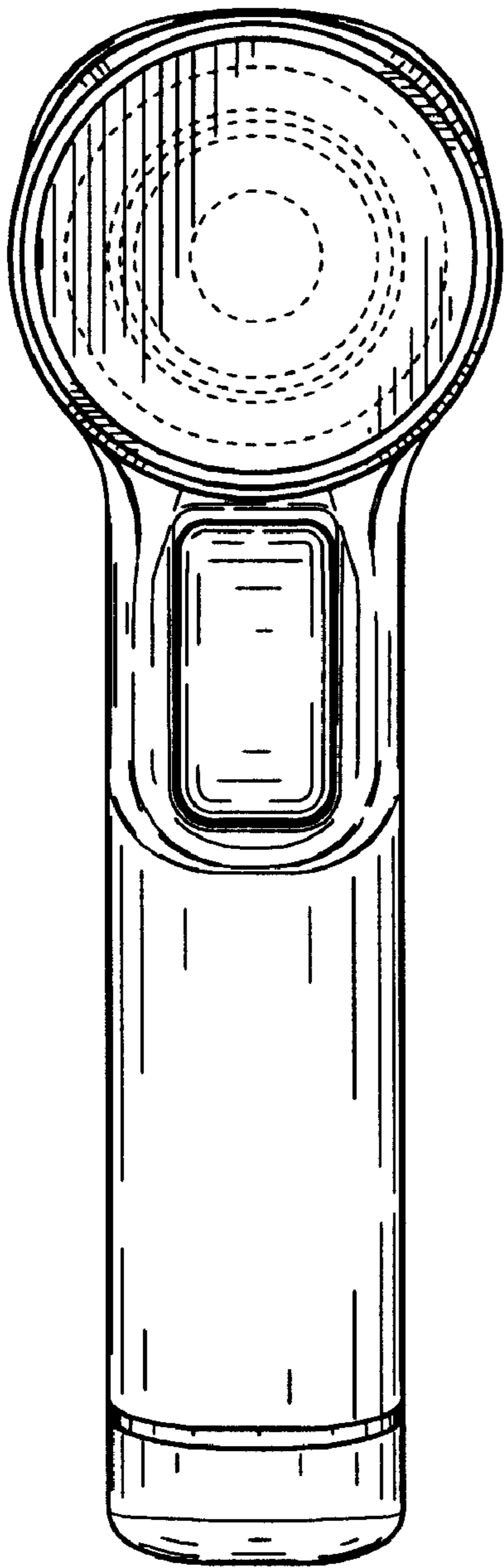
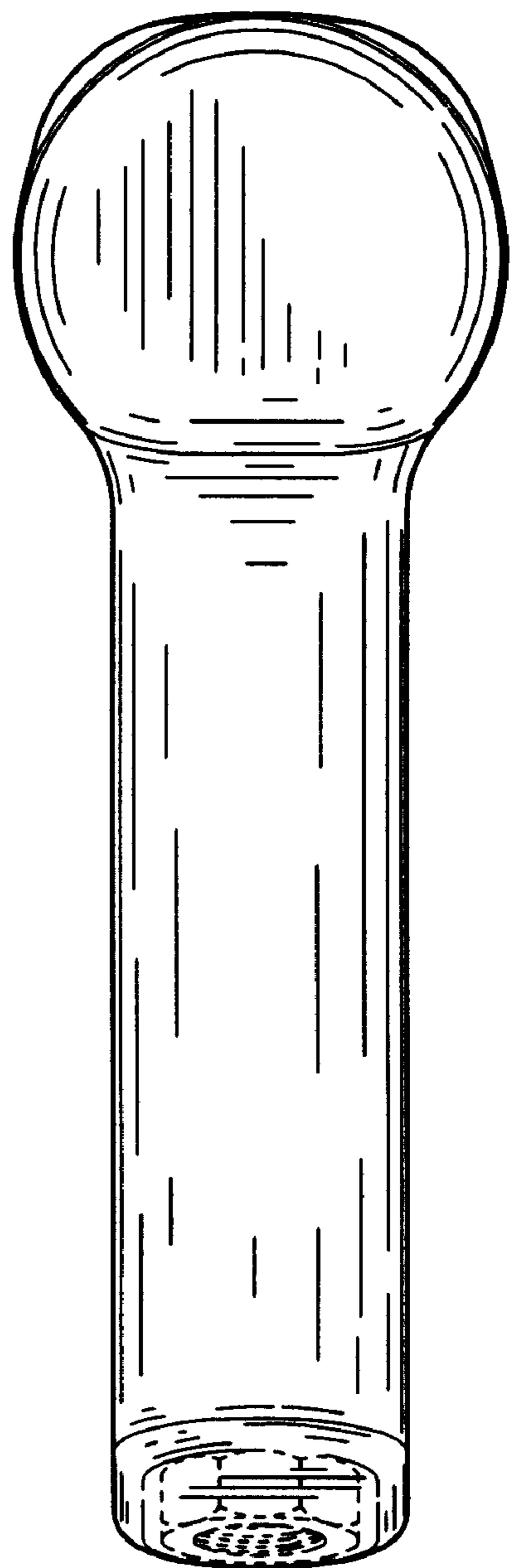


Fig.5



**Fig.6**



**Fig.7**