



US00D444363S

(12) **United States Design Patent**
Hayakawa et al.

(10) **Patent No.:** **US D444,363 S**

(45) **Date of Patent:** **** Jul. 3, 2001**

(54) **PORTABLE ELECTRIC DRILL**

(75) Inventors: **Naohiro Hayakawa; Shinya Shimizu,**
both of Anjo (JP)

(73) Assignee: **Makita Corporation,** Anjo (JP)

(**) Term: **14 Years**

(21) Appl. No.: **29/136,241**

(22) Filed: **Jan. 29, 2001**

(30) **Foreign Application Priority Data**

Aug. 1, 2000 (JP) 12-024817
Aug. 1, 2000 (JP) 12-024818

(51) **LOC (7) Cl.** **08-01**

(52) **U.S. Cl.** **D8/61**

(58) **Field of Search** D8/61-70; 81/57.11,
81/57.14, 54, 57.42, 469, 474; 173/170,
217, 216, 169, 164, 213; 408/124, 239 R;
451/344, 357-359; 320/114; 310/50

(56) **References Cited**

U.S. PATENT DOCUMENTS

D. 104,623 * 5/1937 Decker D8/61
D. 150,531 * 8/1948 Albertson D8/61
D. 323,961 2/1992 Fushiya et al. .
D. 410,183 * 5/1999 Thomson D8/69
D. 414,093 9/1999 Zurwelle .
D. 438,077 * 2/2001 Schmid D8/61
2,155,082 * 4/1939 Decker 173/217
4,474,077 * 10/1984 Debelius 173/216

4,974,475 * 12/1990 Lord et al. 81/57.13
6,075,341 * 6/2000 White et al. 320/114
6,102,632 * 8/2000 Potter et al. 408/124

* cited by examiner

Primary Examiner—Jeffrey Asch

(74) *Attorney, Agent, or Firm*—Dennison, Scheiner,
Schultz & Wakeman

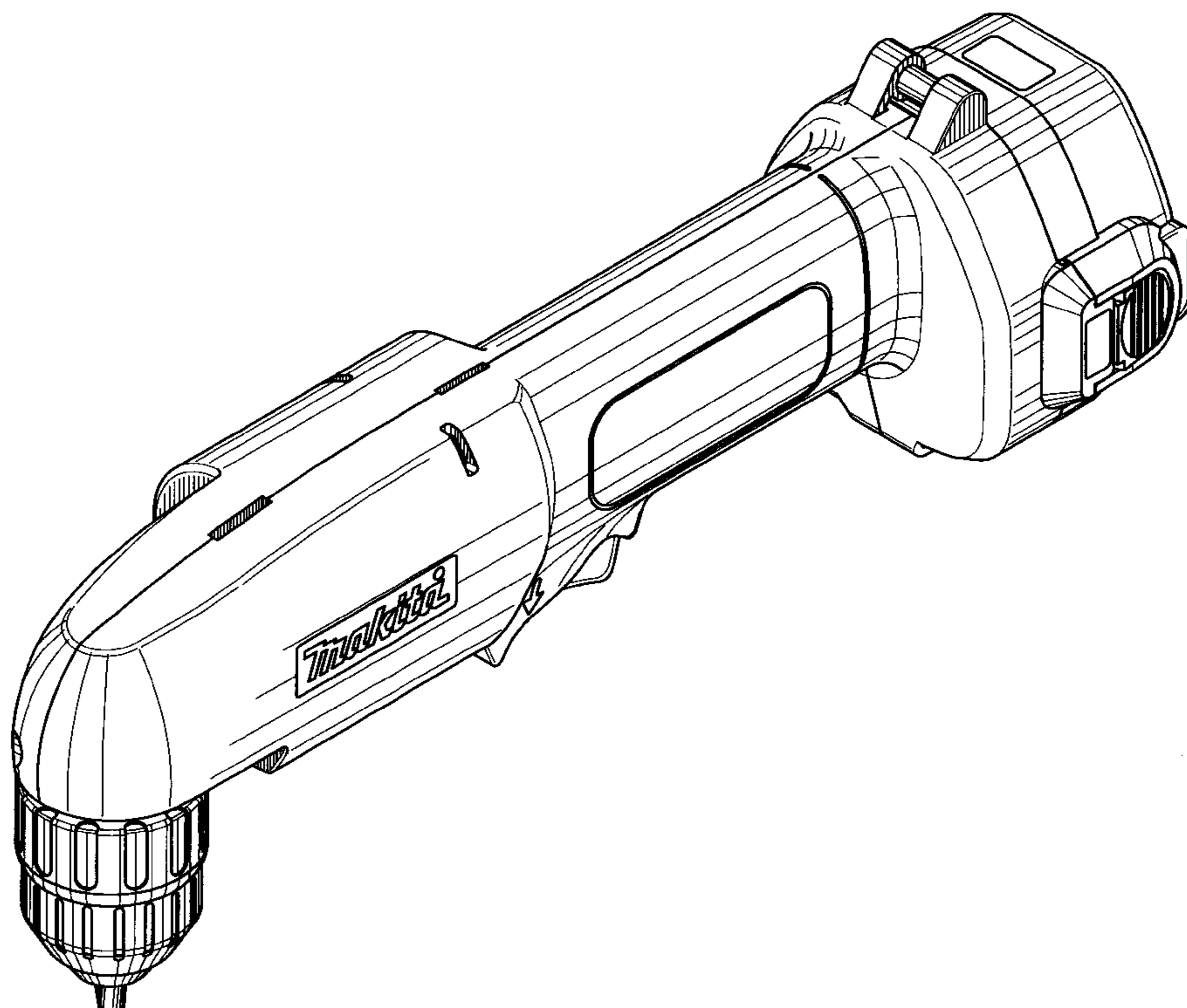
(57) **CLAIM**

The ornamental design for a portable electric drill, as shown
and described.

DESCRIPTION

FIG. 1 is a perspective view of a portable electric drill
showing my new design;
FIG. 2 is a front elevation view thereof;
FIG. 3 is a rear elevation view thereof;
FIG. 4 is a left side elevation view thereof;
FIG. 5 is a right side elevation view thereof;
FIG. 6 is a top plan view thereof;
FIG. 7 is a bottom plan view thereof;
FIG. 8 is a perspective view of a second embodiment of the
portable electric drill shown in FIG. 1;
FIG. 9 is a front elevation view thereof;
FIG. 10 is a rear elevation view thereof;
FIG. 11 is a left side elevation view thereof;
FIG. 12 is a right side elevation view thereof;
FIG. 13 is a top plan view thereof; and,
FIG. 14 is a bottom plan view thereof.

1 Claim, 12 Drawing Sheets



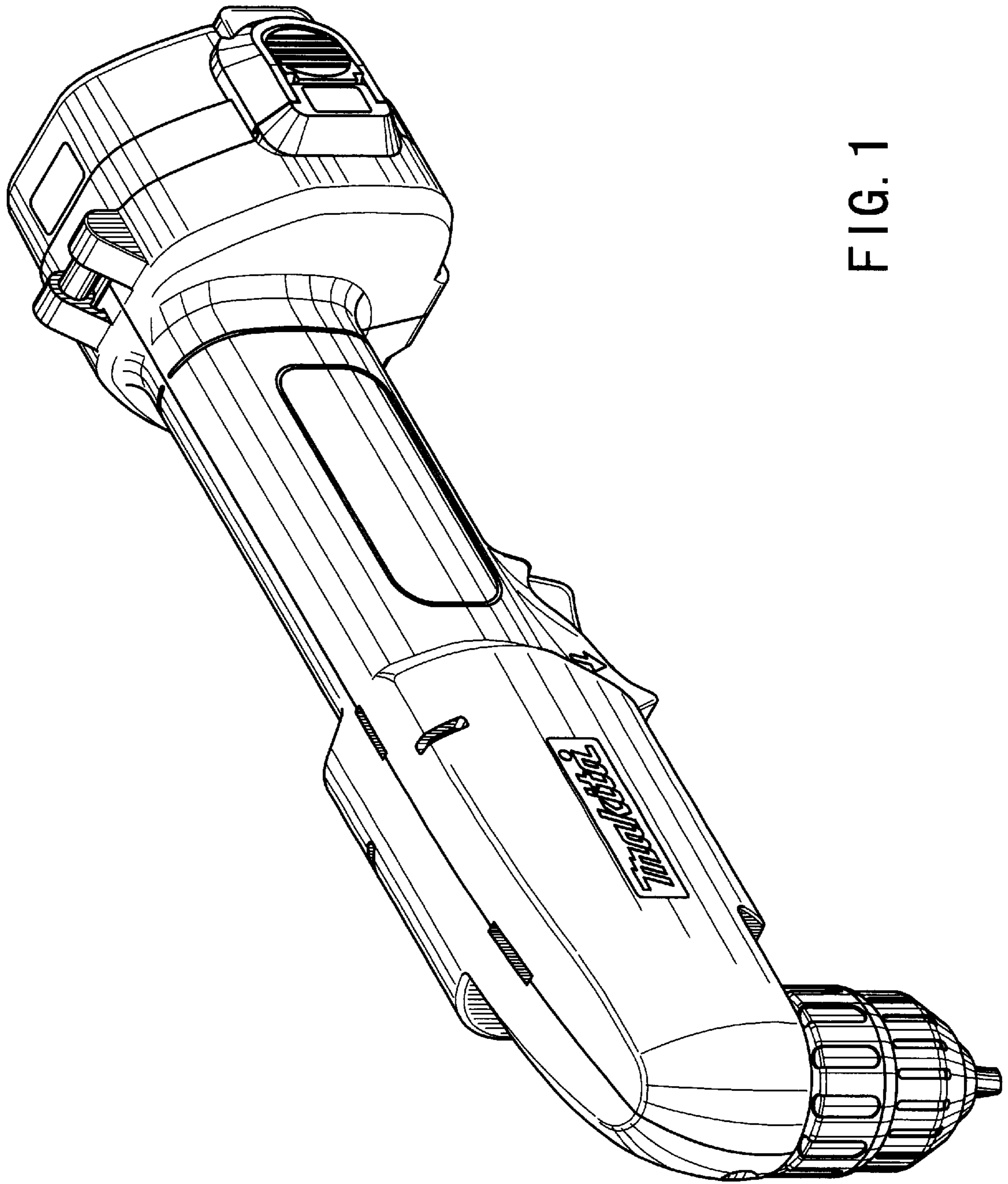


FIG. 1

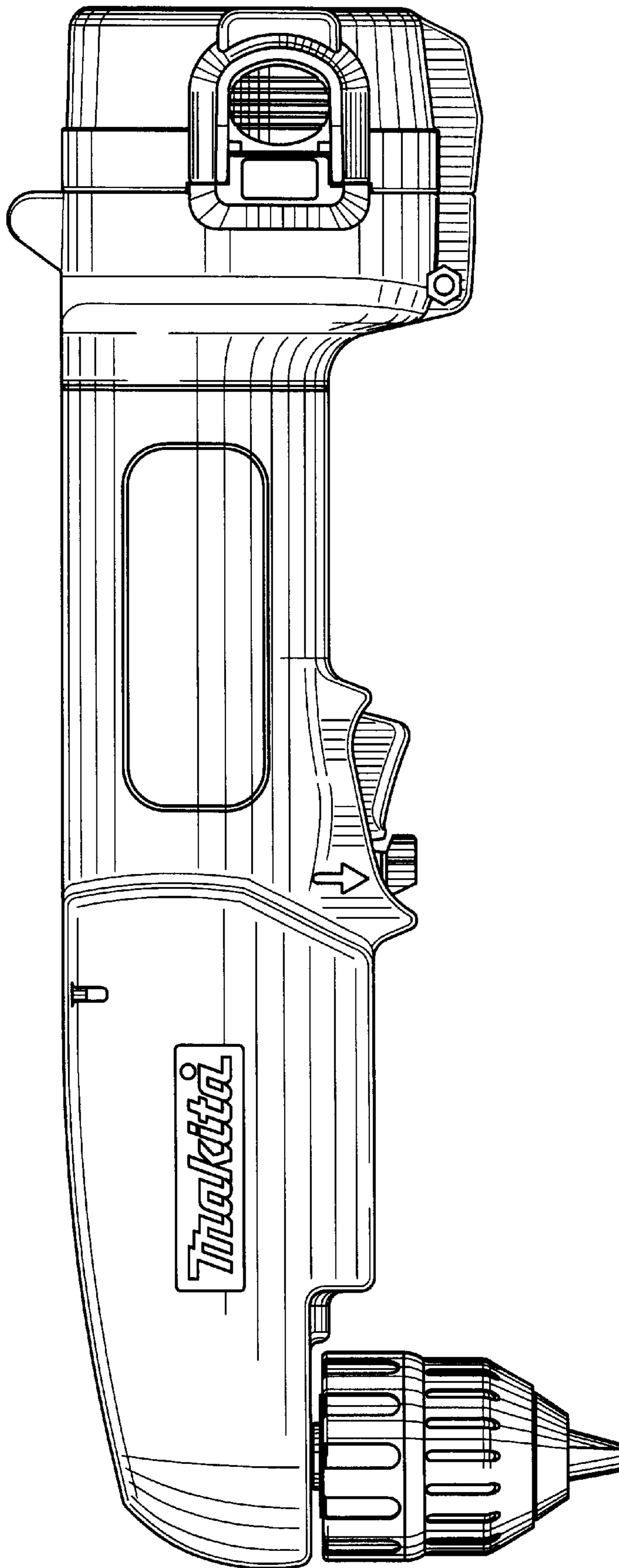


FIG. 2

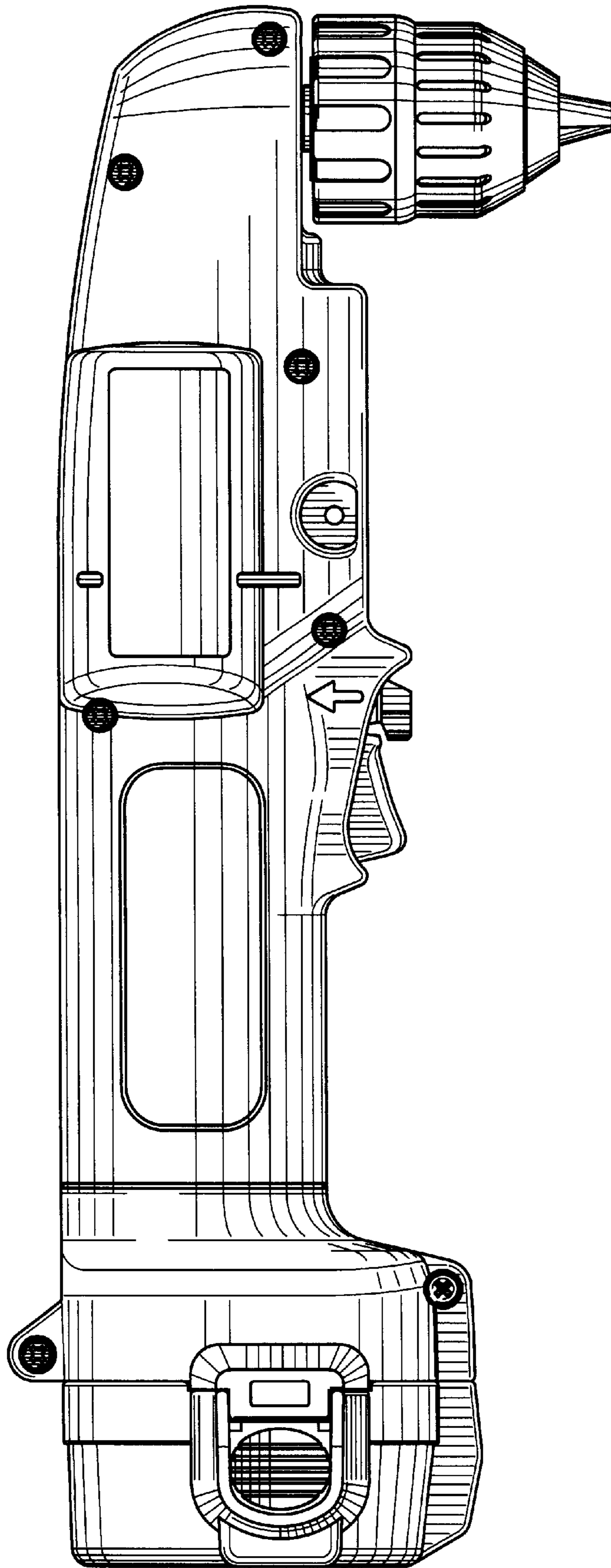


FIG. 3

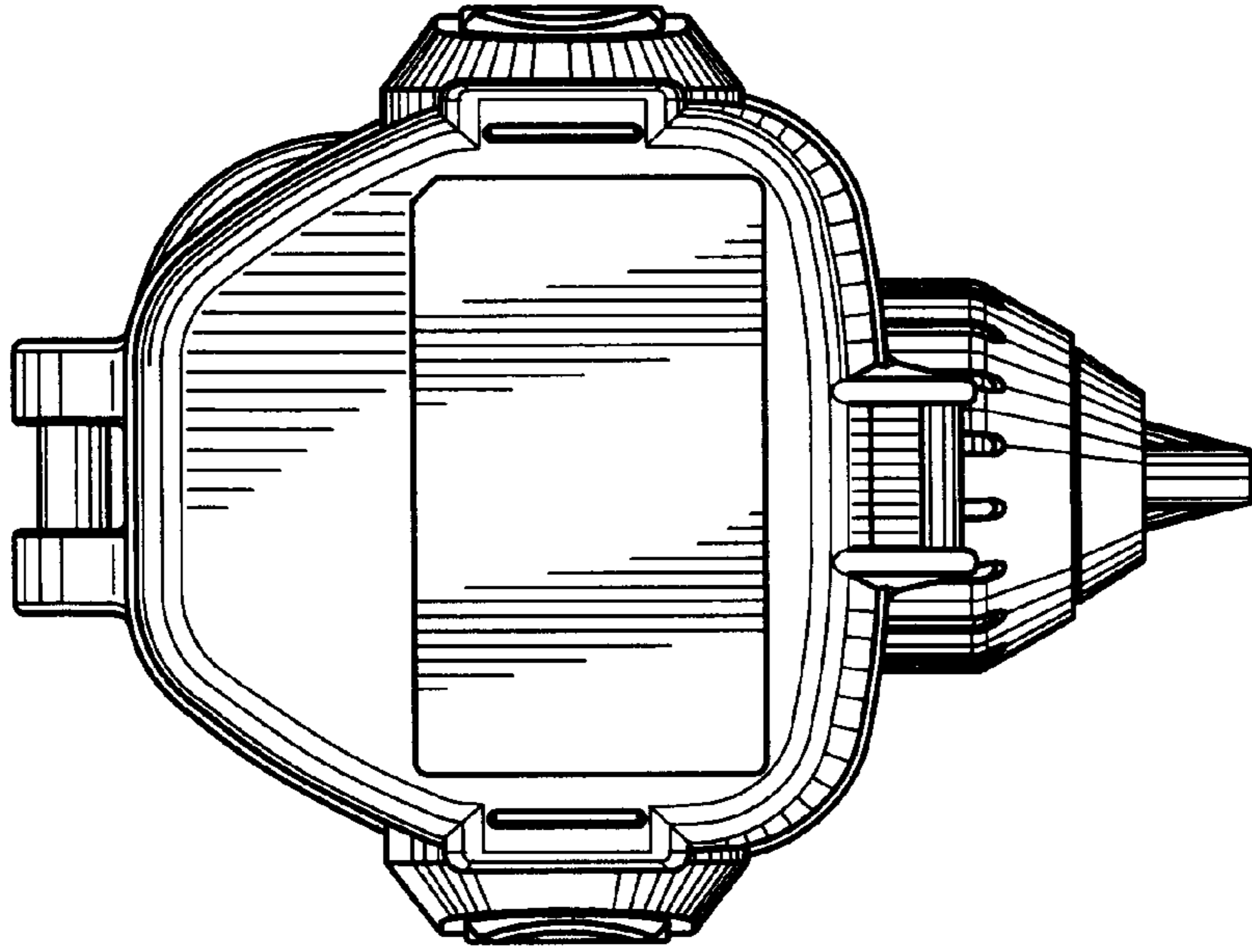


FIG. 5

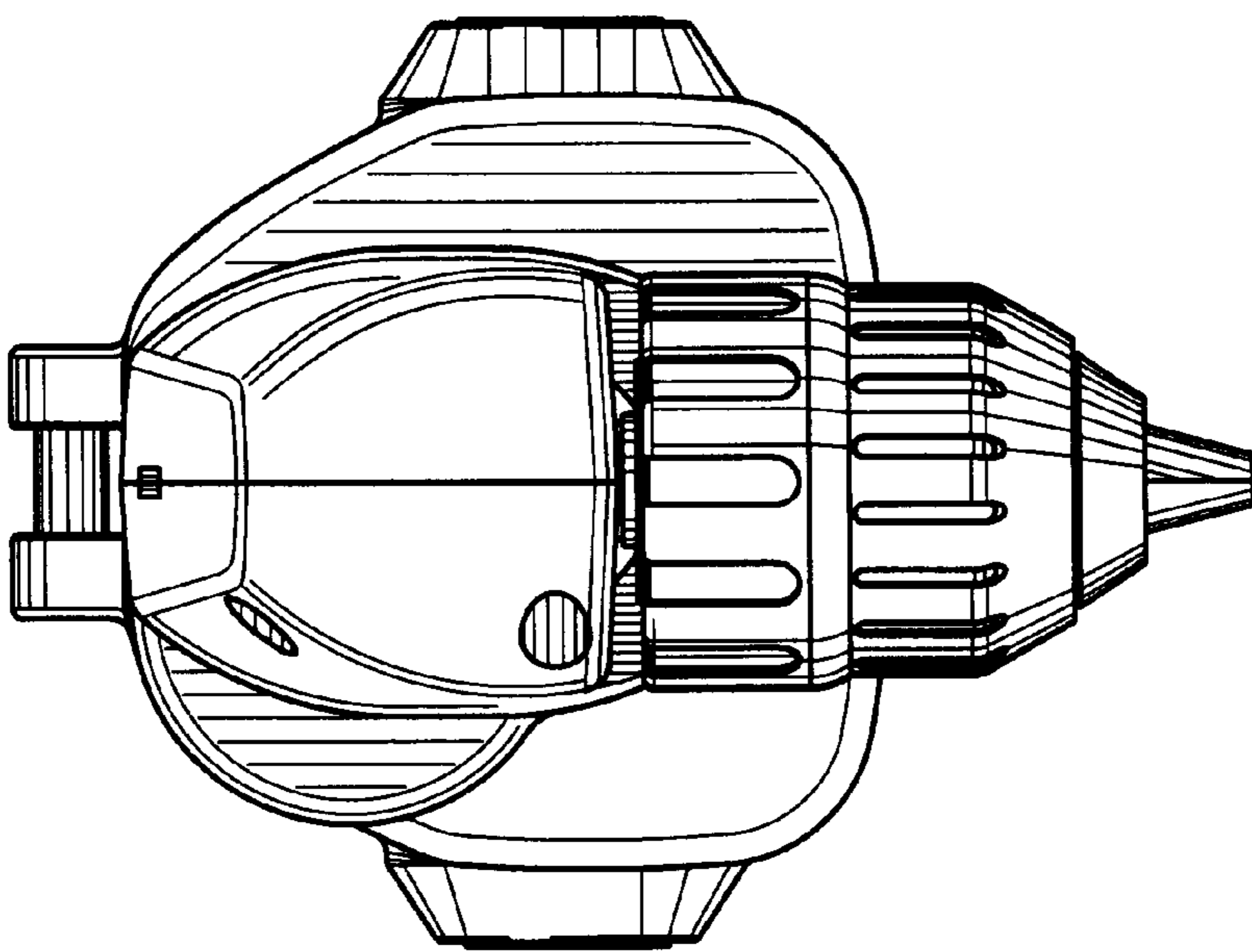


FIG. 4

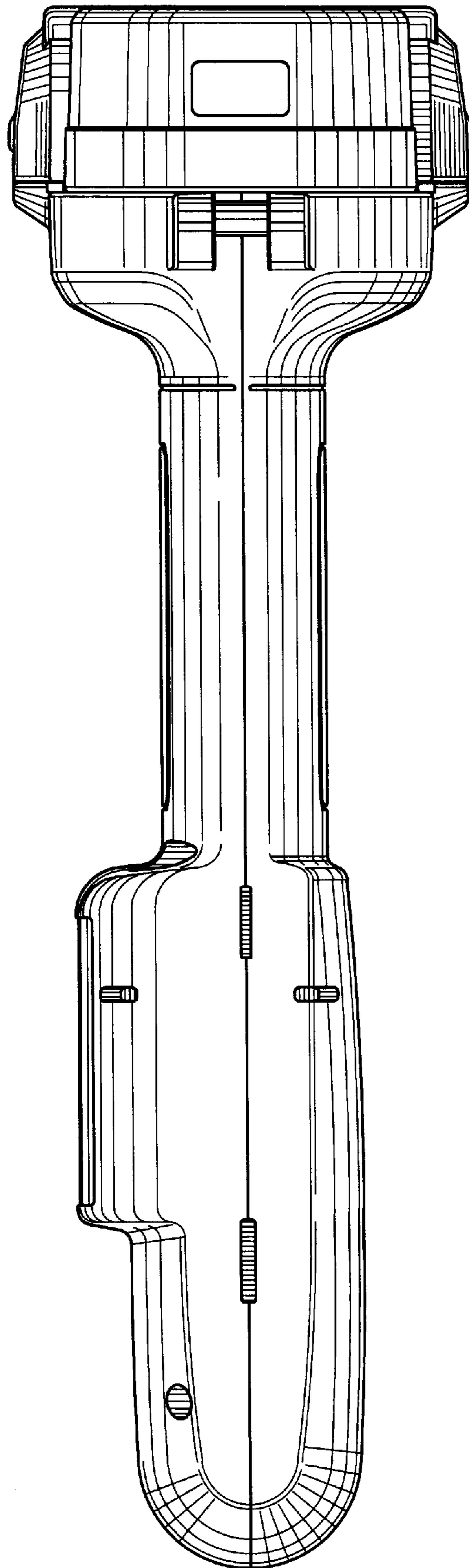


FIG. 6

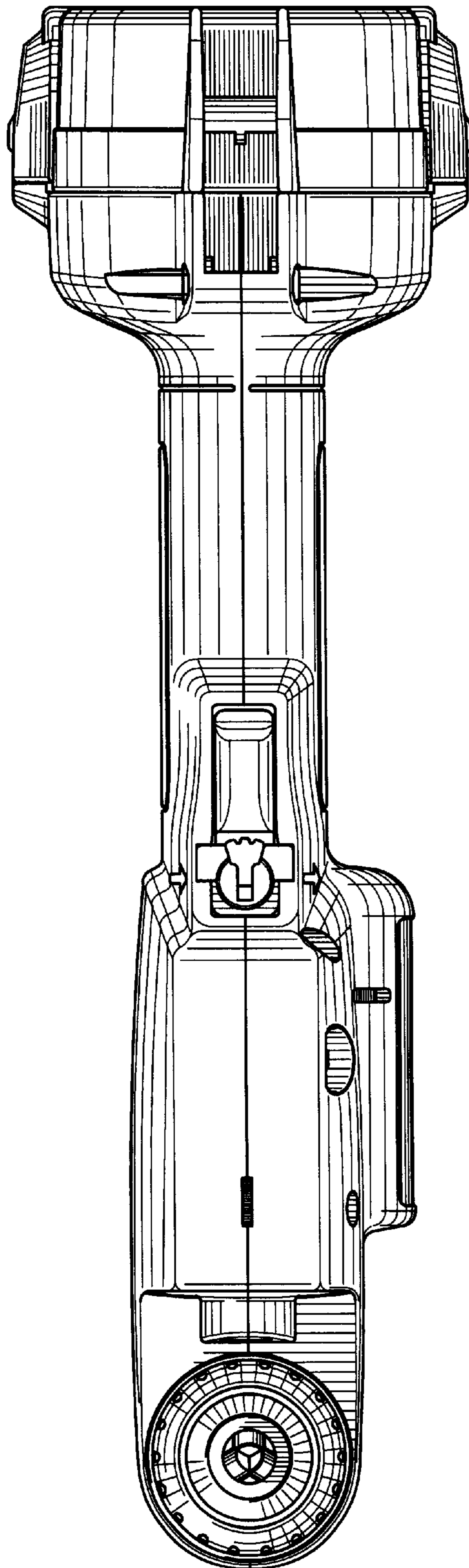


FIG. 7

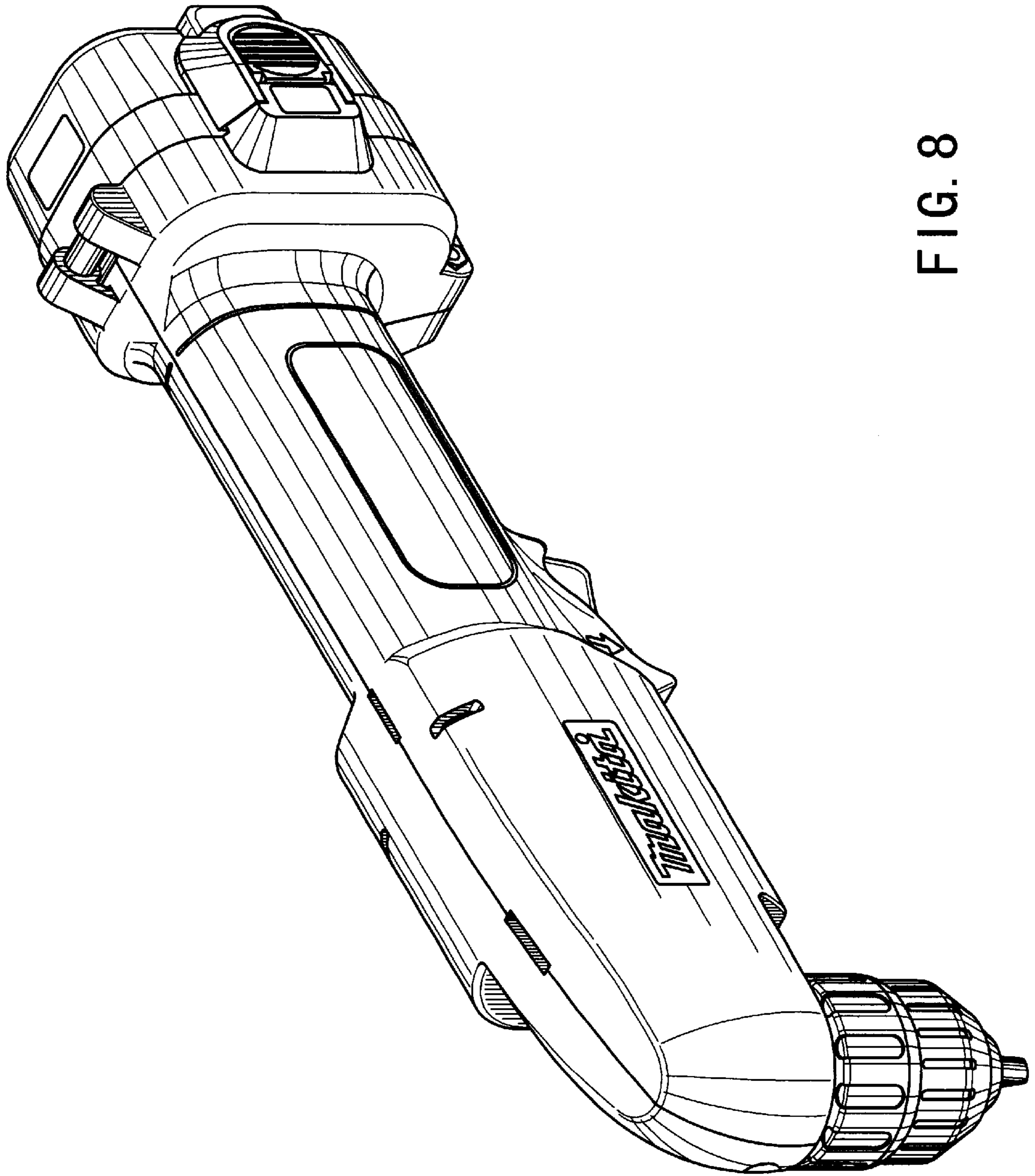


FIG. 8

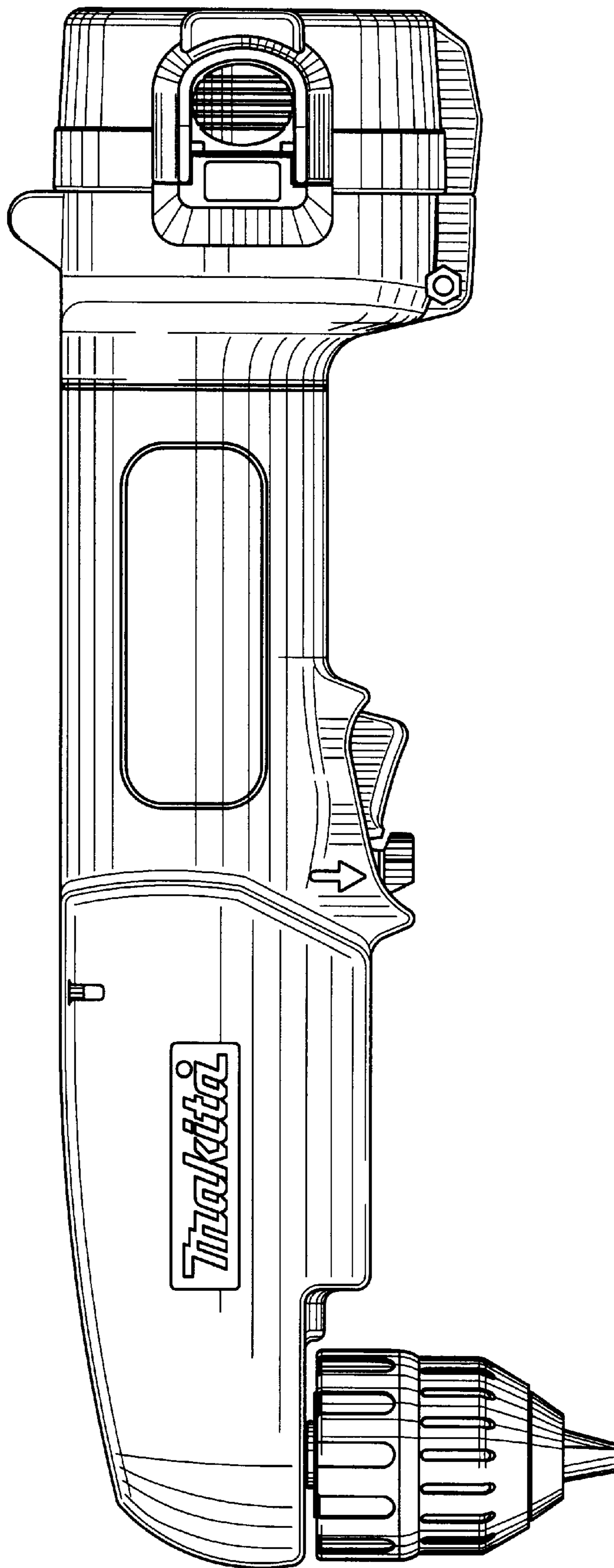


FIG. 9

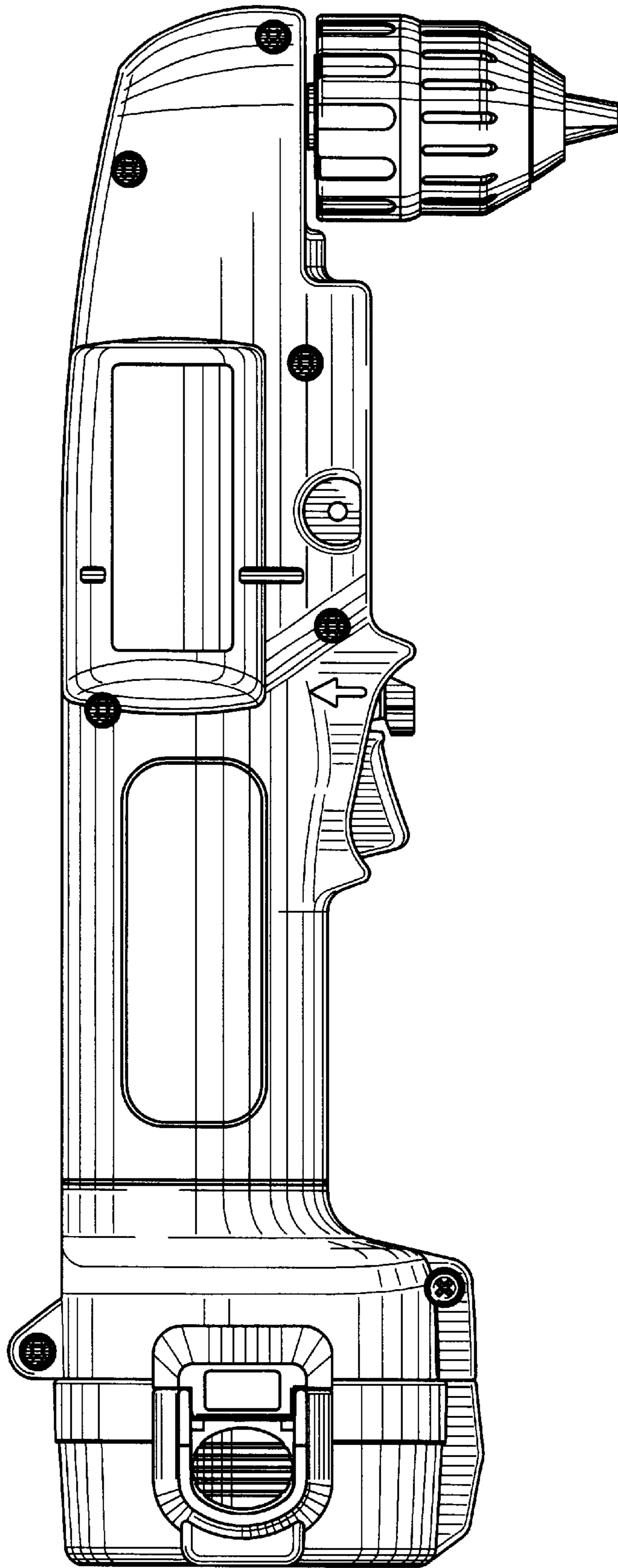


FIG. 10

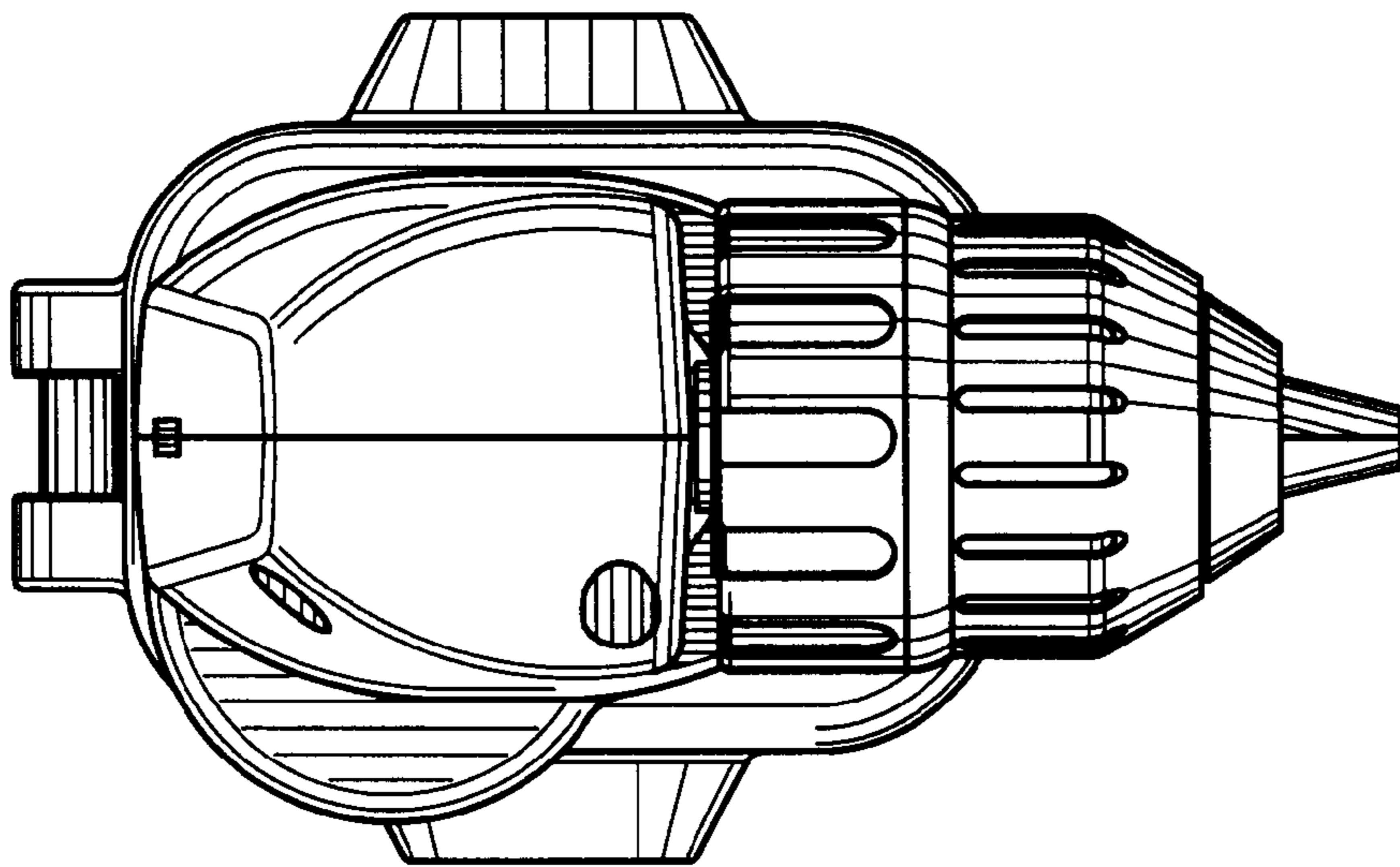
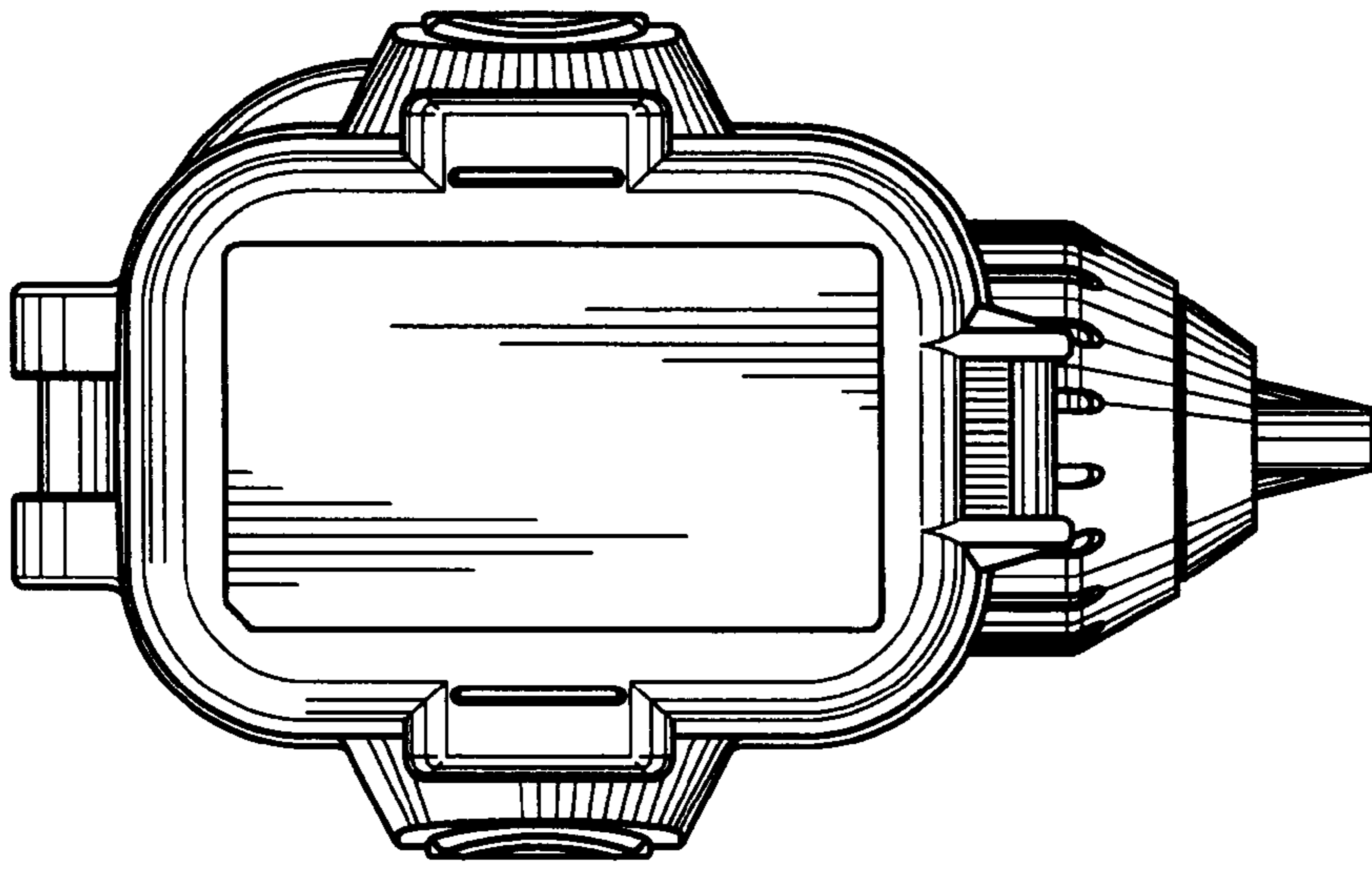


FIG. 12

FIG. 11

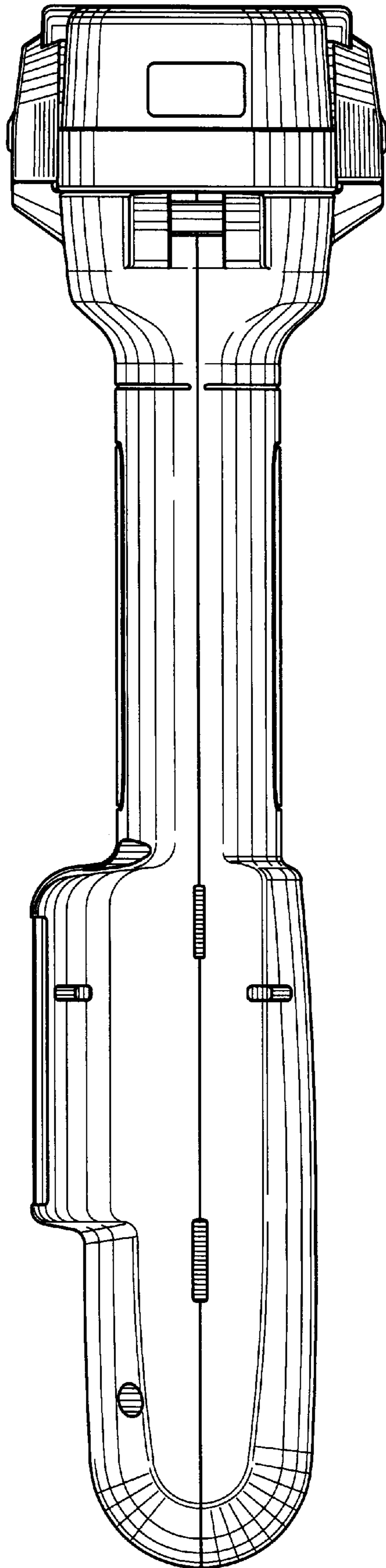


FIG. 13

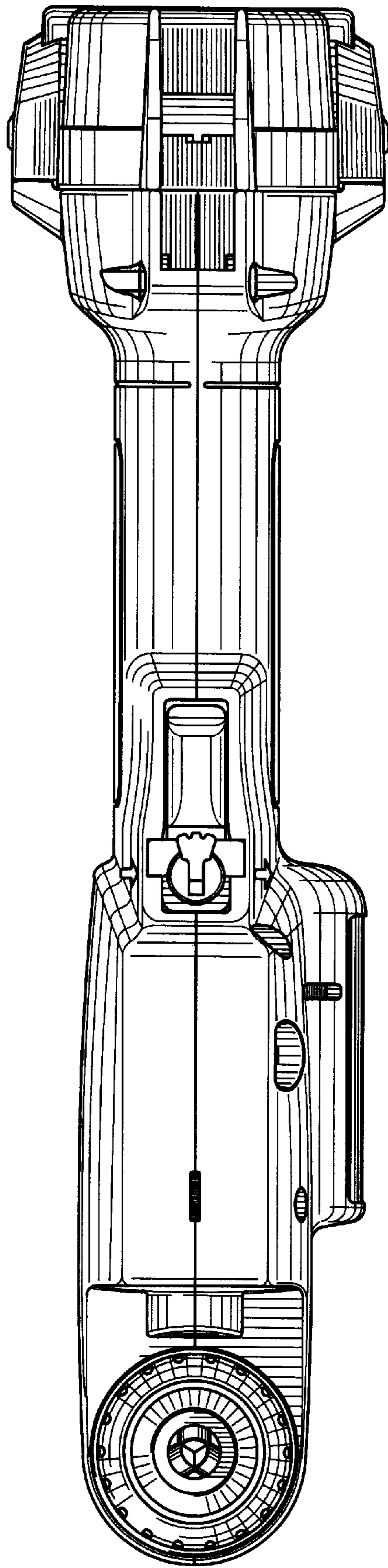


FIG. 14