



US00D444361S

(12) **United States Design Patent**  
**Schulze**

(10) **Patent No.:** **US D444,361 S**

(45) **Date of Patent:** **\*\* Jul. 3, 2001**

(54) **PILL EJECTOR**

*Primary Examiner*—Philip S. Hyder

(75) Inventor: **Herbert C. Schulze**, Reno, NV (US)

(57) **CLAIM**

(73) Assignee: **Dynachieve, Inc.**, Reno, NV (US)

The ornamental design for a pill ejector, as shown and described.

(\*\*) Term: **14 Years**

(21) Appl. No.: **29/104,500**

(22) Filed: **May 6, 1999**

(51) **LOC (7) Cl.** ..... **08-05**

(52) **U.S. Cl.** ..... **D8/51; D8/98**

(58) **Field of Search** ..... **D8/14, 51, 98;**  
**206/531, 469, 538**

**DESCRIPTION**

FIG. 1 is a perspective from the front of the pill ejector embodying the features of my new design;

FIG. 2 is a front elevation thereof;

FIG. 3 is a rear elevation thereof;

FIG. 4 is a left side elevation thereof;

FIG. 5 is a right side elevation thereof;

FIG. 6 is a top elevation thereof; and,

FIG. 7 is a bottom elevation thereof.

(56) **References Cited**

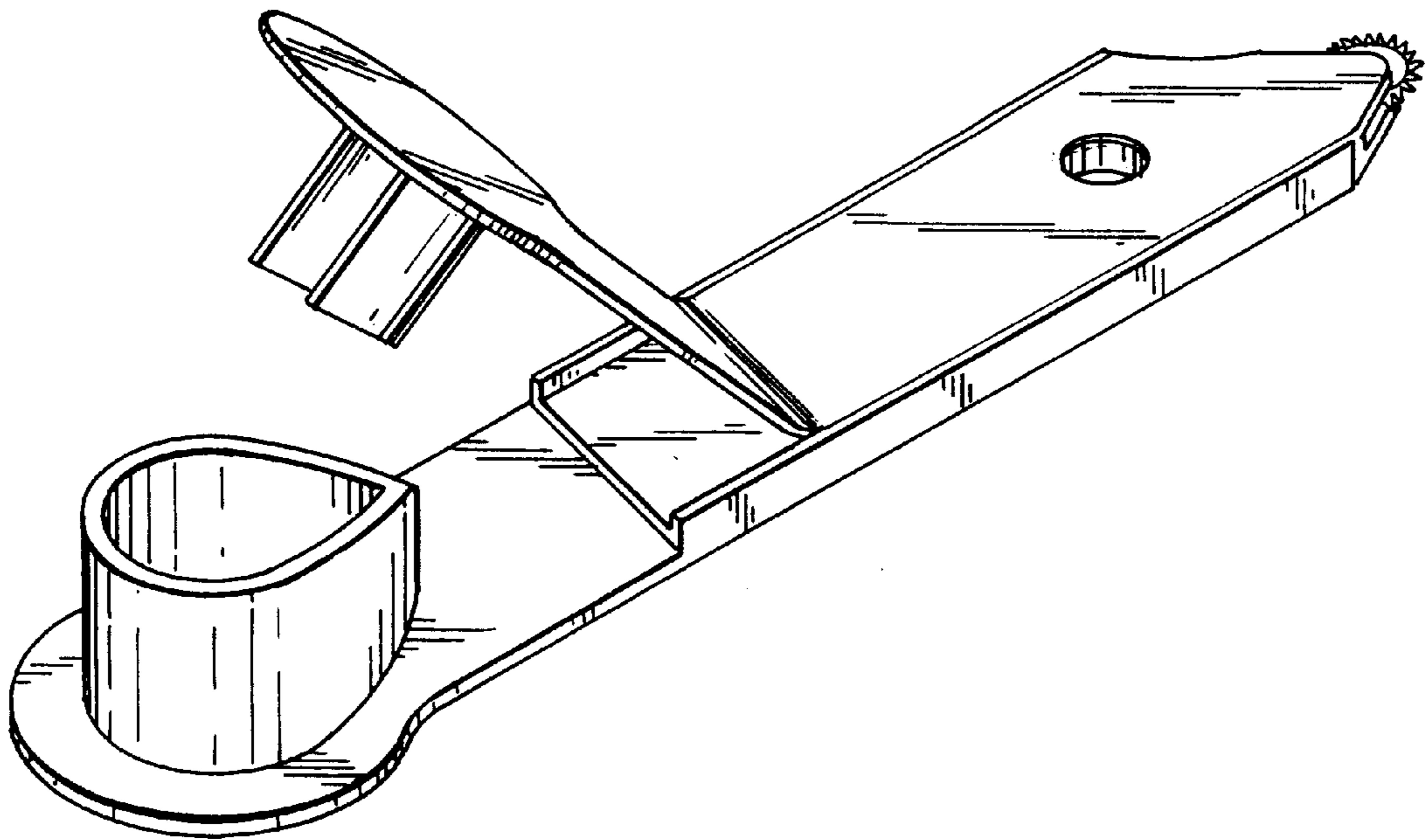
**U.S. PATENT DOCUMENTS**

5,431,283 \* 7/1995 Weinstein et al. .... 206/531

6,155,424 \* 12/2000 Dubach ..... 203/531

\* cited by examiner

**1 Claim, 2 Drawing Sheets**



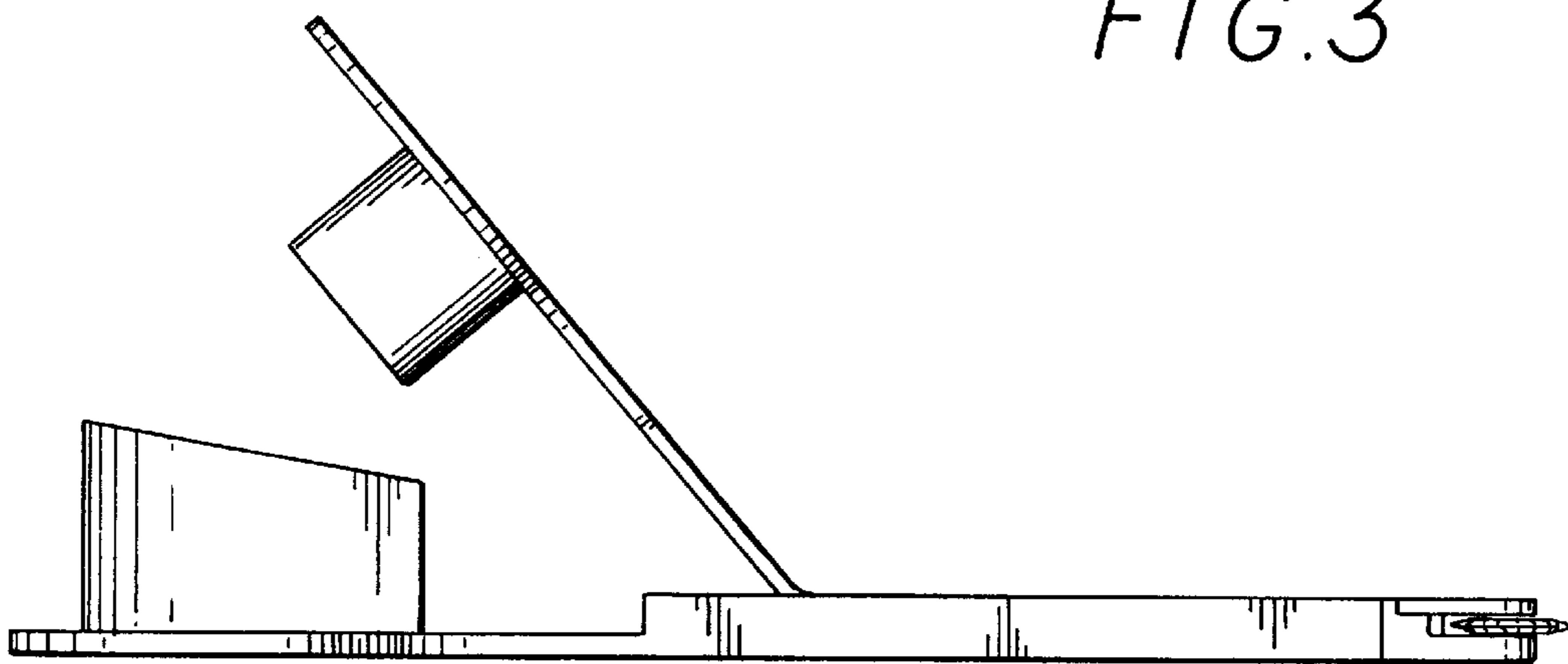
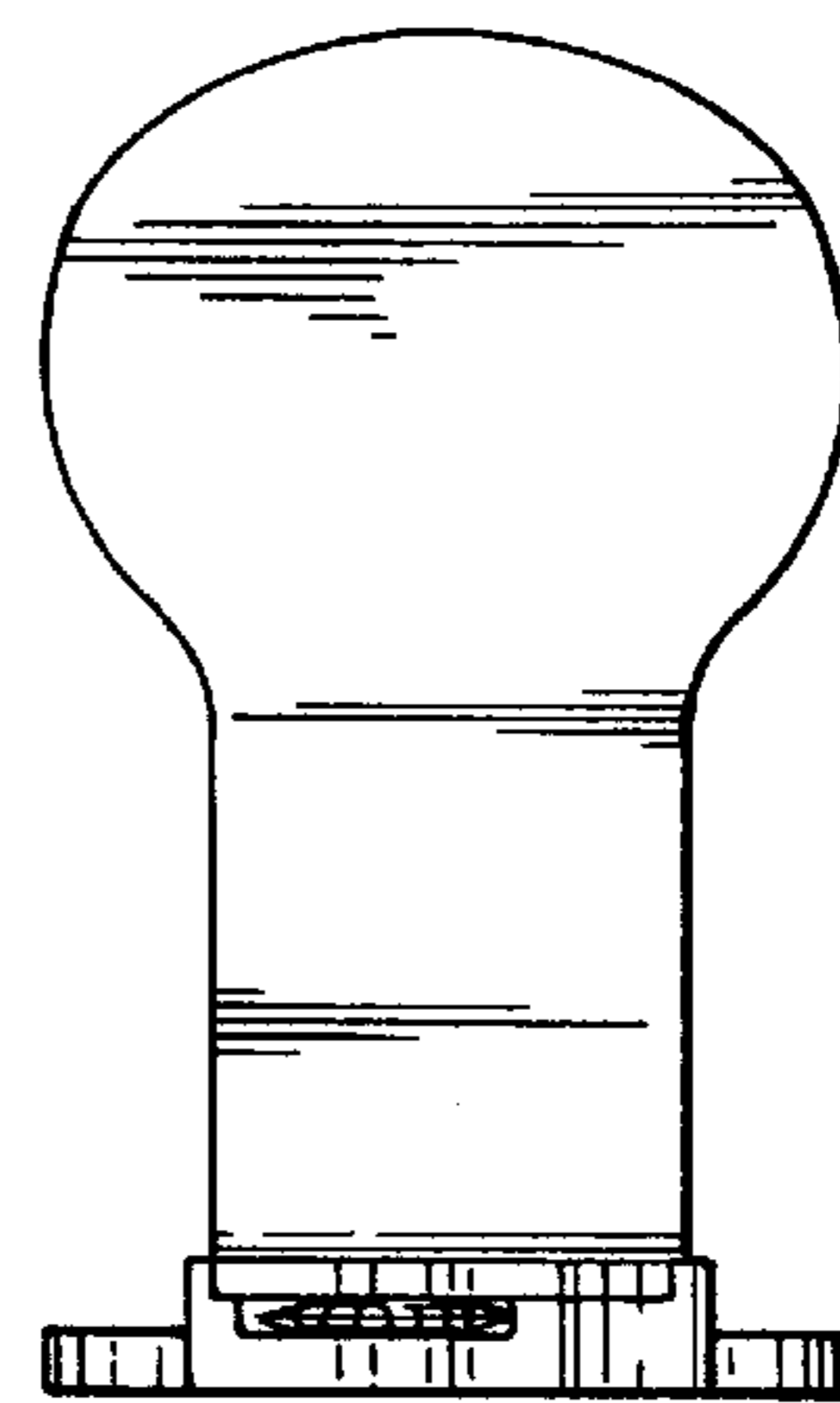
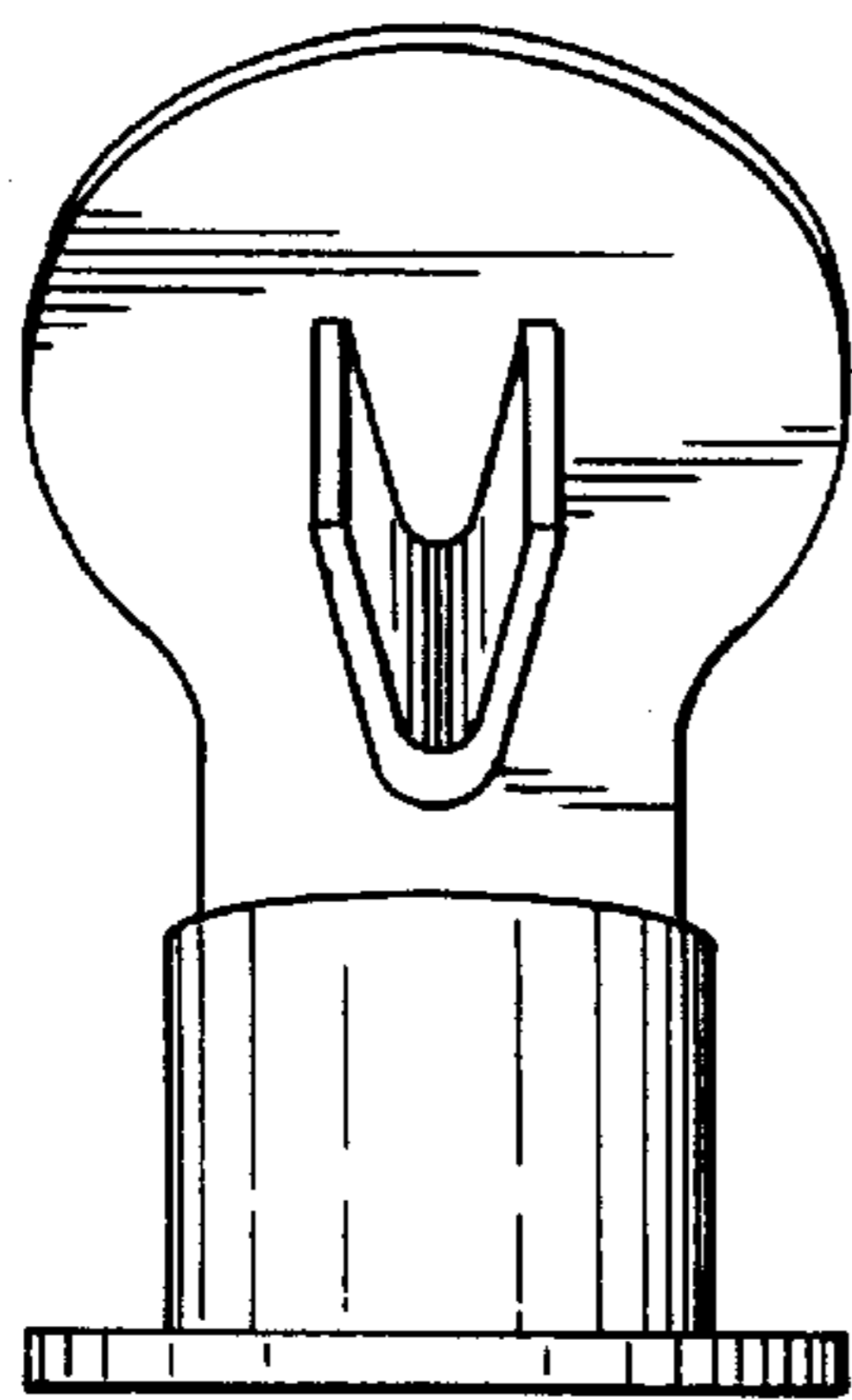
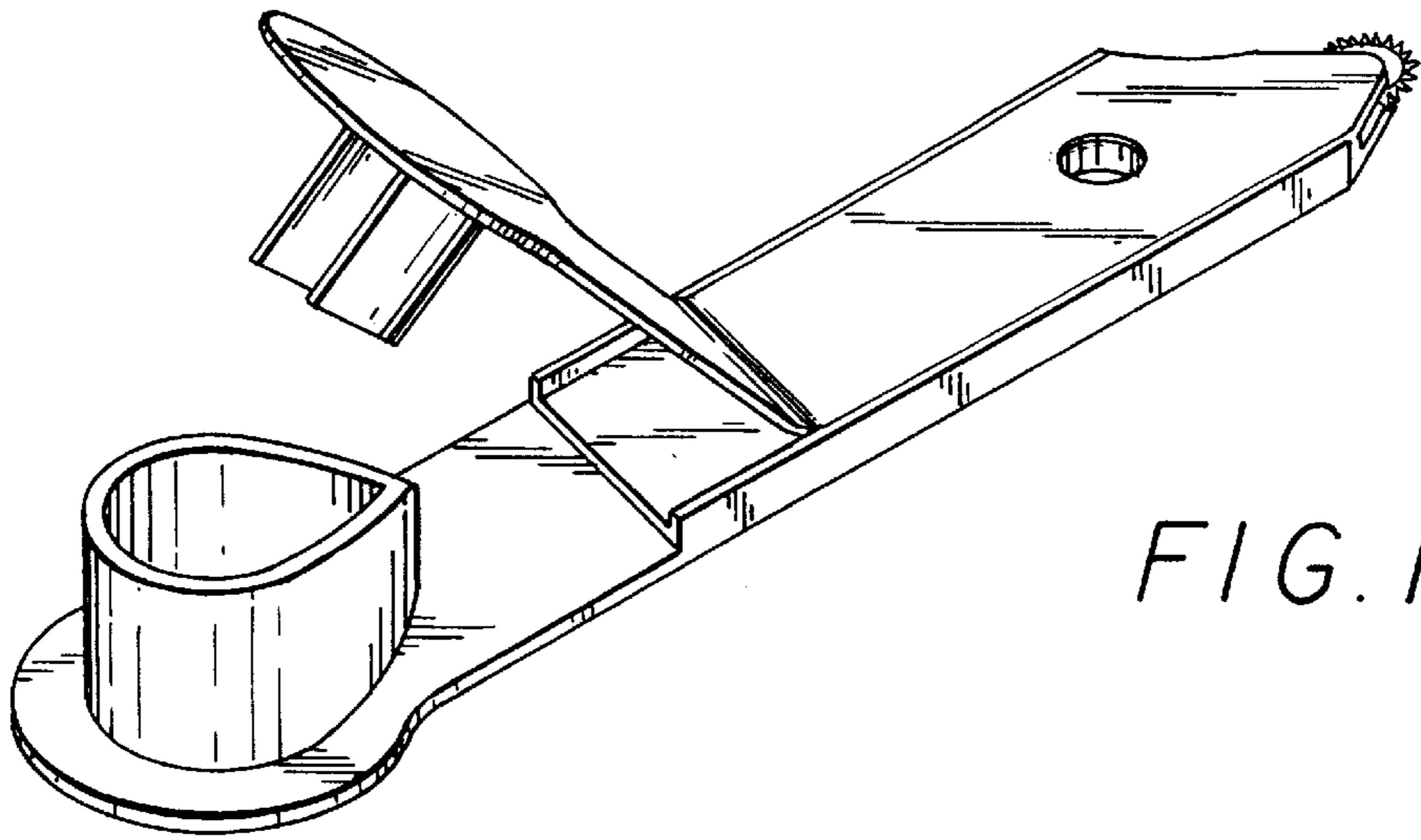


FIG. 5

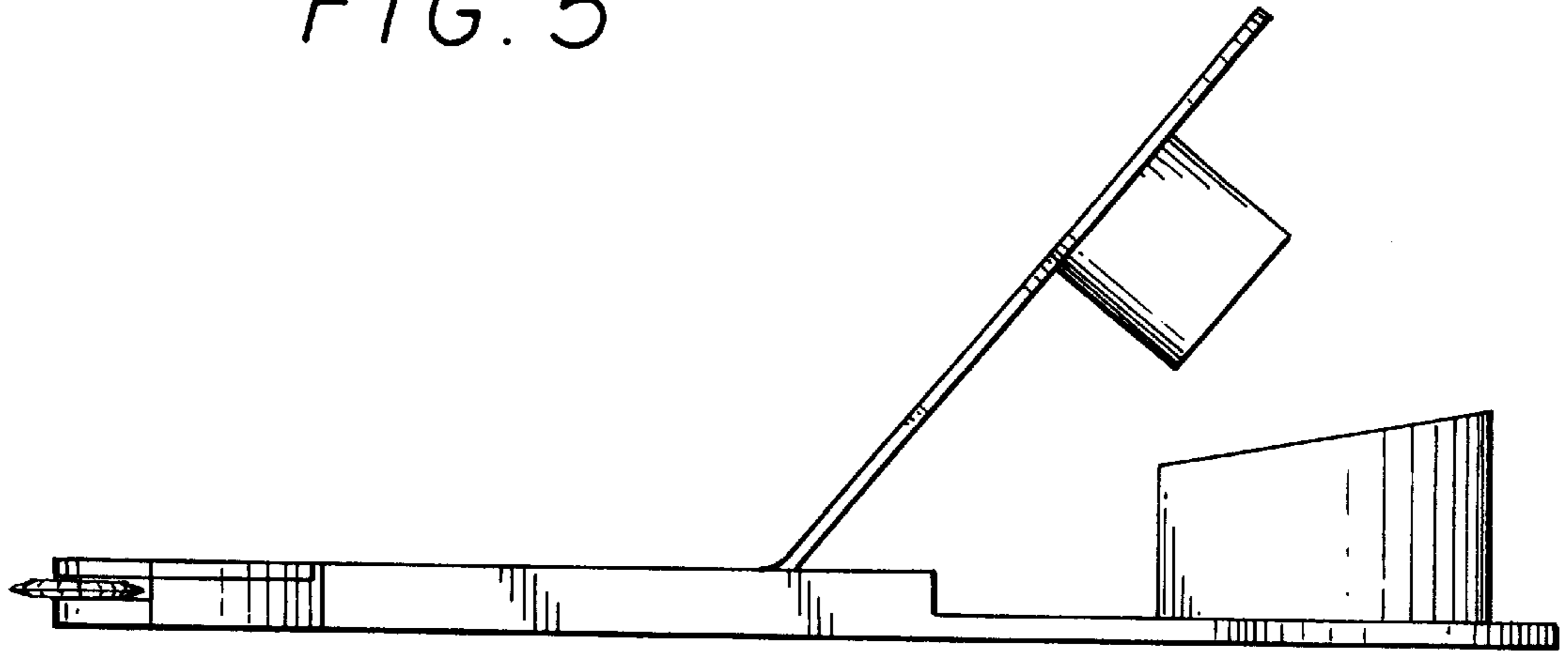


FIG. 6

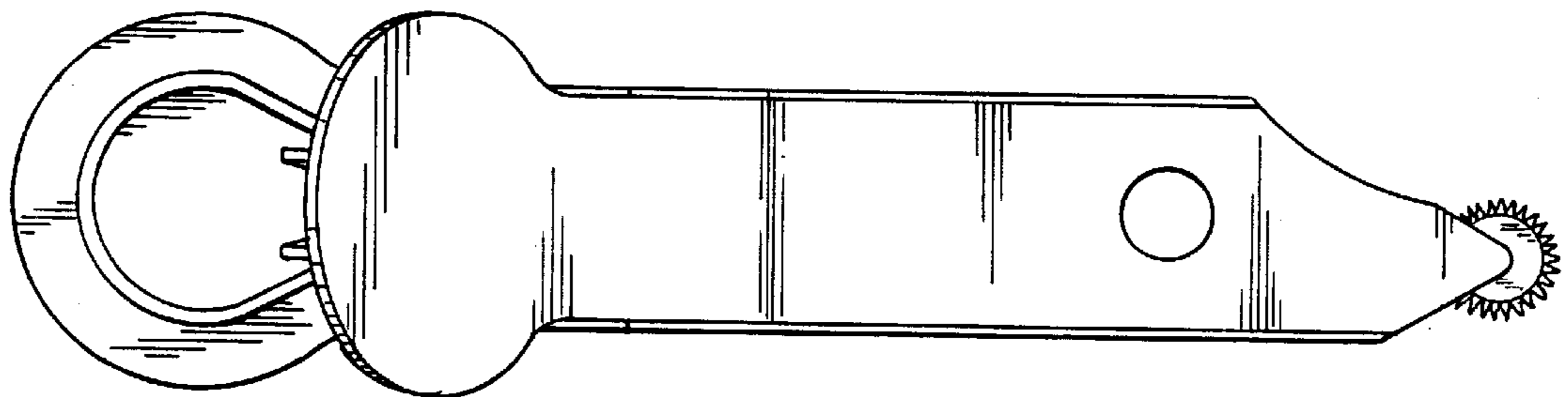


FIG. 7

