



US00D444358S

(12) **United States Design Patent** (10) **Patent No.:** **US D444,358 S**
Malik et al. (45) **Date of Patent:** **** Jul. 3, 2001**

(54) **DISPENSER FOR STICK FORM SOLID EDIBLE FOODS**

4,241,852	12/1980	Klem	222/103
4,544,083	* 10/1985	Schroeder	222/47
4,804,102	2/1989	Morris	220/93
4,964,745	10/1990	Deitz	401/131
5,421,663	6/1995	Bravo	401/82

(76) Inventors: **Vijay S. Malik**, 4405 Fairmount Ave.;
Drake L. Koch, 3309 Genessee, both
of Kansas City, MO (US) 64111

* cited by examiner

(**) Term: **14 Years**

Primary Examiner—Terry A. Wallace
(74) *Attorney, Agent, or Firm*—Richard L. Marsh

(21) Appl. No.: **29/124,812**

(57) **CLAIM**

(22) Filed: **Jun. 12, 2000**

The ornamental design for a dispenser for stick form solid edible foods, as shown and described.

Related U.S. Application Data

DESCRIPTION

(63) Continuation-in-part of application No. 09/165,495, filed on Oct. 2, 1998, now Pat. No. 6,082,596.

FIG. 1 is a front elevation view of the design of a dispenser for stick form solid edible foods.

(51) **LOC (7) Cl.** **07-04**

FIG. 2 is a rear elevation view of the design of a dispenser for stick form solid edible foods of FIG. 1.

(52) **U.S. Cl.** **D7/669**

FIG. 3 is a side elevation view of the design of a dispenser for stick form solid edible foods of FIG. 1, wherein the opposite side elevation view is a mirror image.

(58) **Field of Search** D7/368, 669, 670;
222/47, 80, 157, 387, 390, 391; 401/9–12,
79, 82, 84, 98, 131, 175, 176

FIG. 4 is a bottom plan view of the design of a dispenser for stick form solid edible foods of FIG. 1.

(56) **References Cited**

FIG. 5 is a top plan view of the design of a dispenser for stick form solid edible foods of FIG. 1.

U.S. PATENT DOCUMENTS

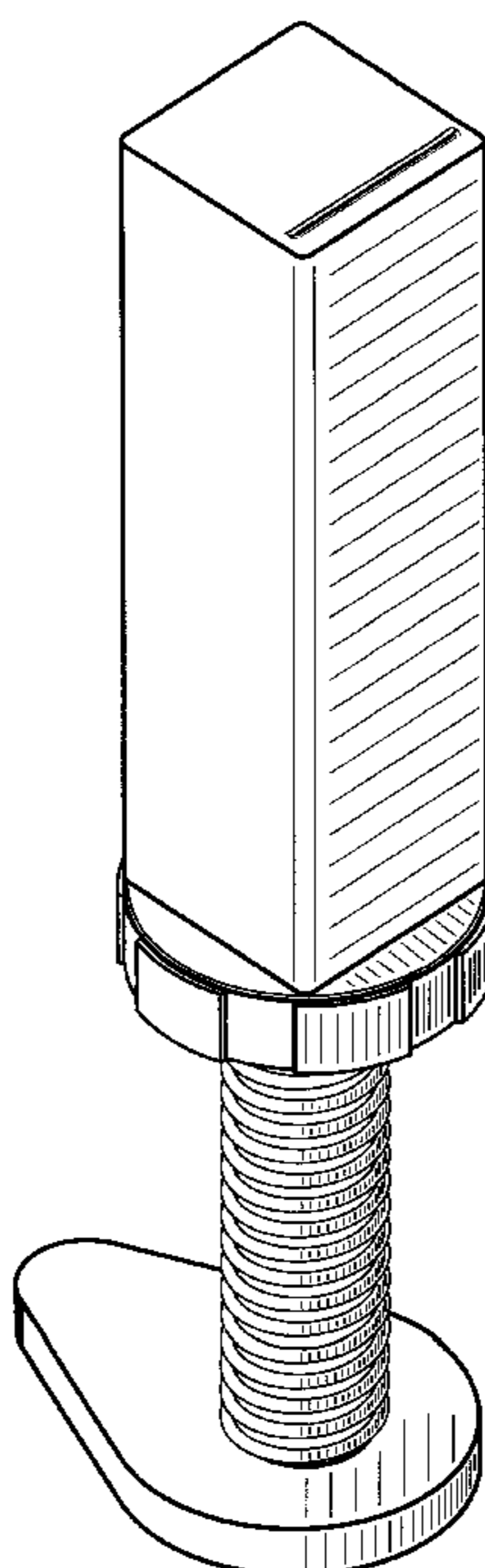
FIG. 6 is a left frontal vertical perspective of the design of a dispenser for stick form solid edible foods of FIG. 1 shown in a storage position; and,

D. 315,083	3/1991	Anderson et al.	D7/670
D. 347,366	5/1994	Harmen et al.	D7/670
2,489,667	11/1949	Pennell	107/21
2,589,000	3/1952	Vani	206/56
2,845,707	8/1958	Redmond	31/21
2,980,247	4/1961	Di Giantomasso	206/56
3,162,884	12/1964	Bordwine et al.	15/514
3,374,048	3/1968	Koskinen	401/98
3,750,913	8/1973	Wild	222/387
3,920,156	11/1975	Hicks	222/80
3,993,226	* 11/1976	Pavenick	222/390 X
4,023,912	* 5/1977	Mahler et al.	401/82

FIG. 7 is a substantially horizontal frontal perspective of the design of a dispenser for stick form solid edible foods of FIG. 1 showing a ribbon of solid food being dispensed therefrom.

The portions of the drawing in FIG. 7 shown in dashed lines form no part of the design of this invention.

1 Claim, 4 Drawing Sheets



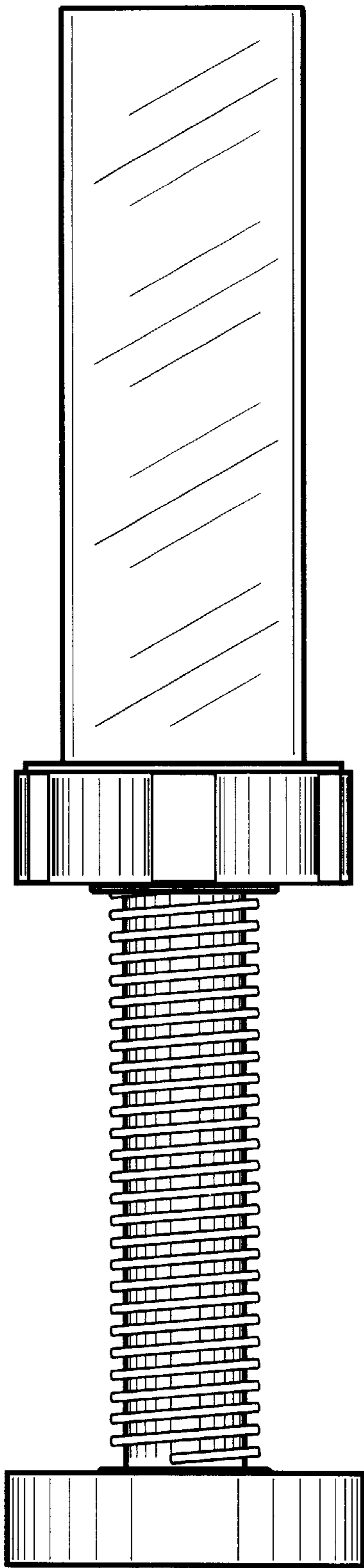


FIG. 1

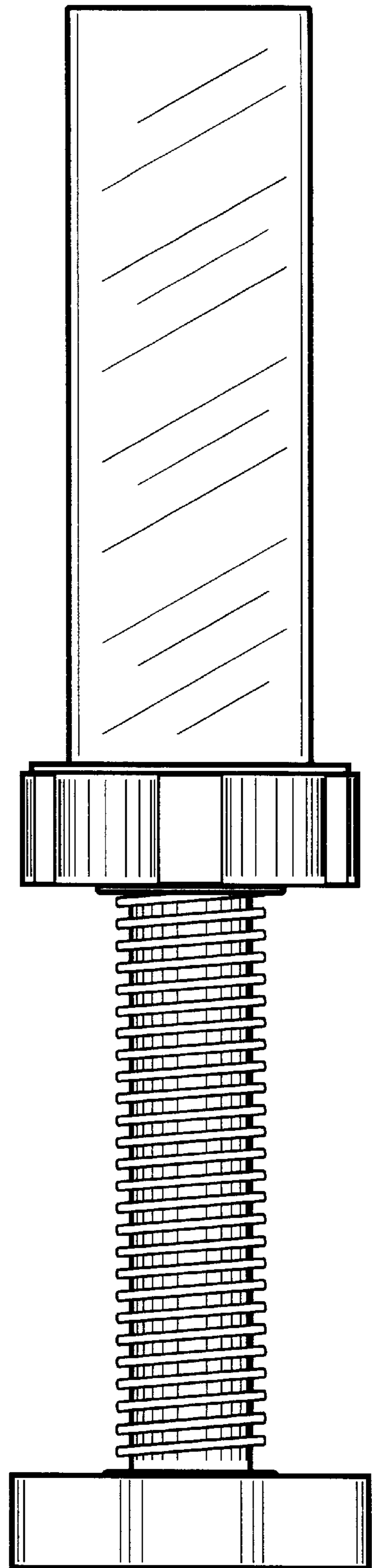


FIG. 2

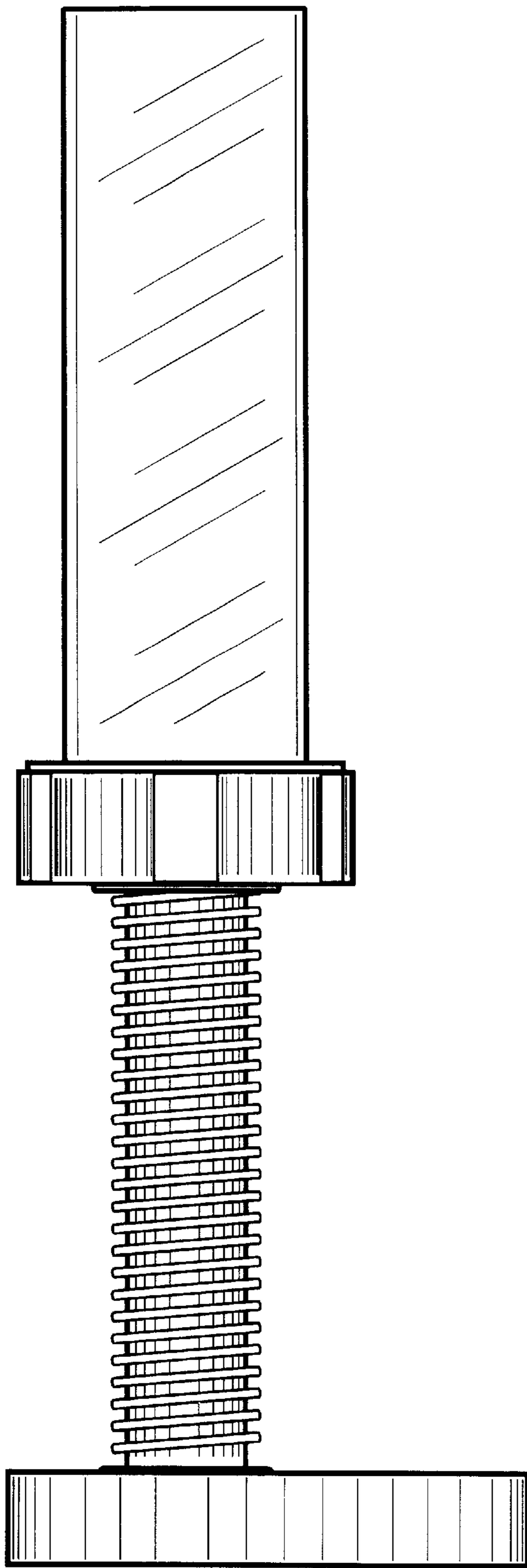


FIG. 3

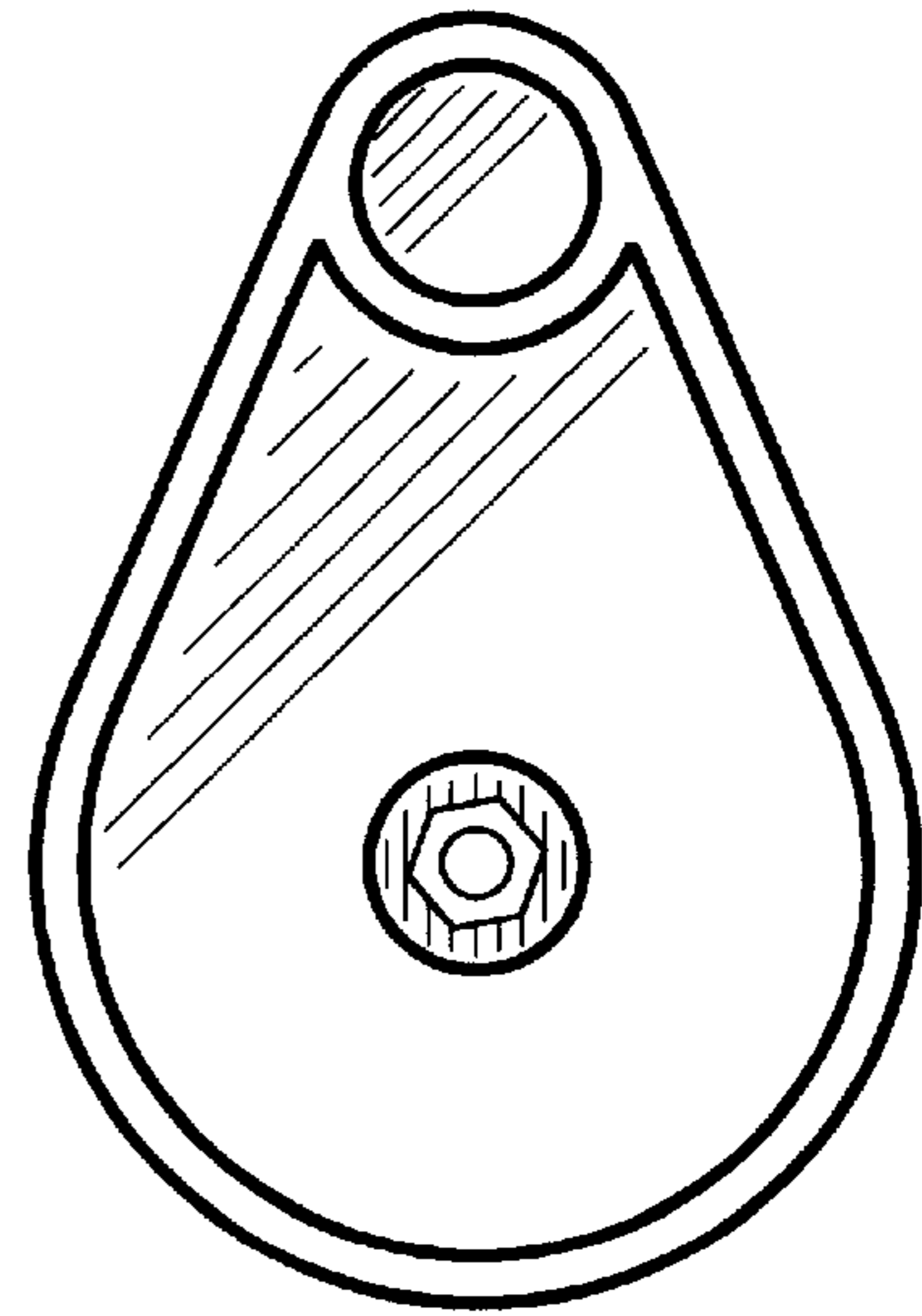


FIG. 4

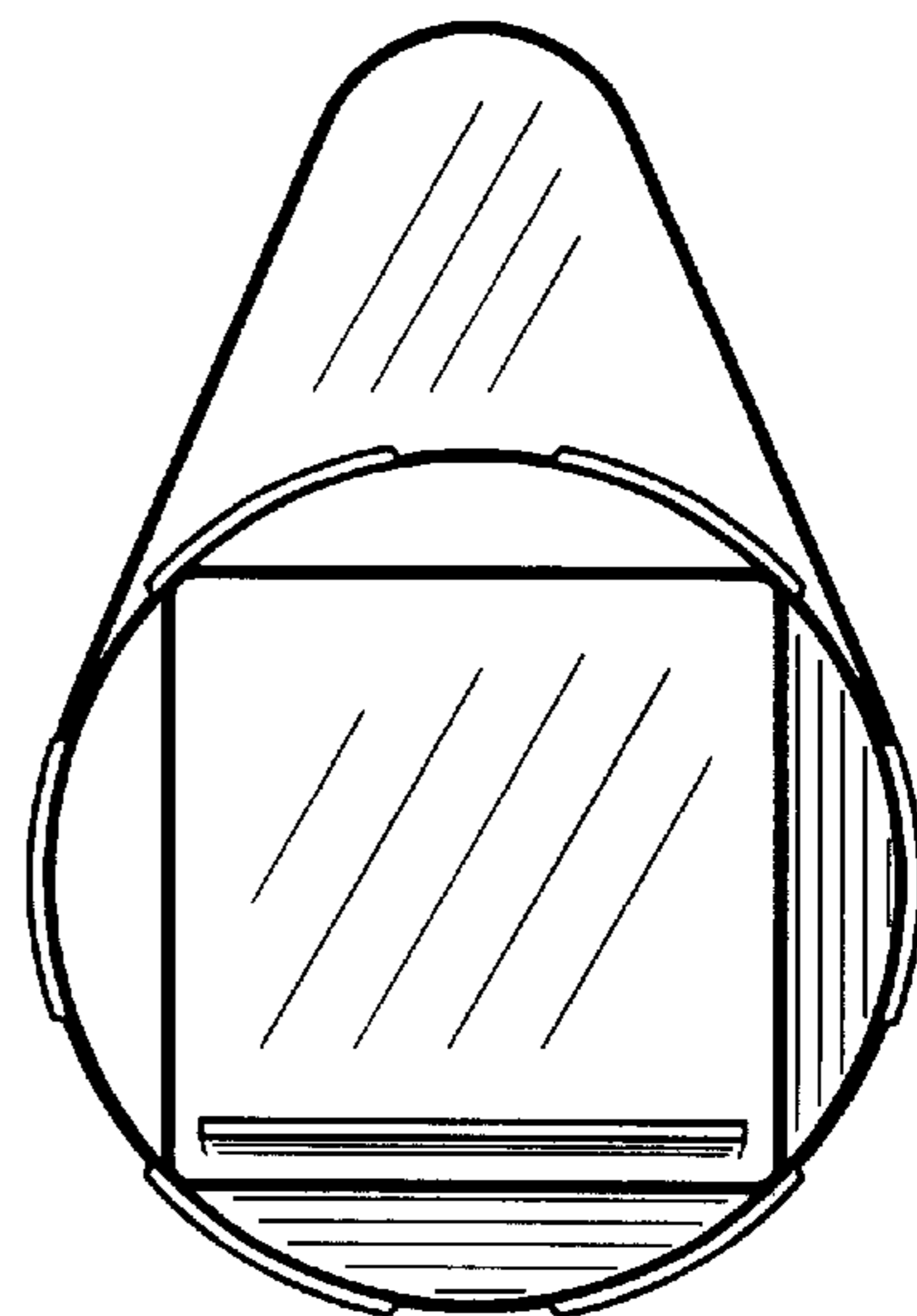
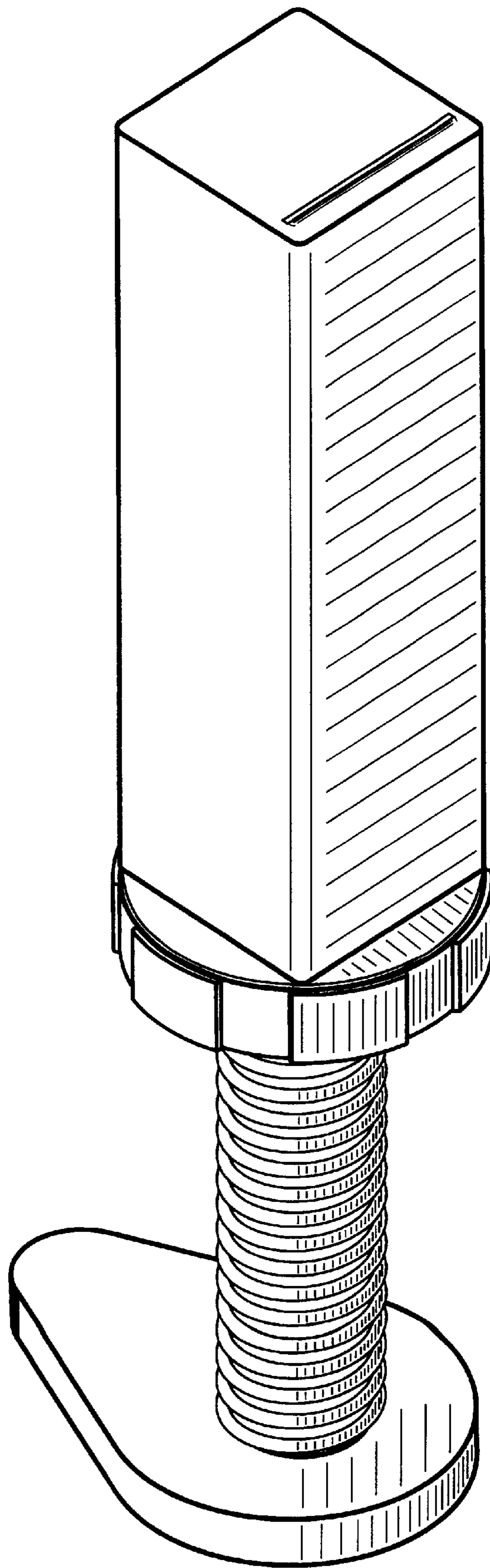


FIG. 5

FIG. 6



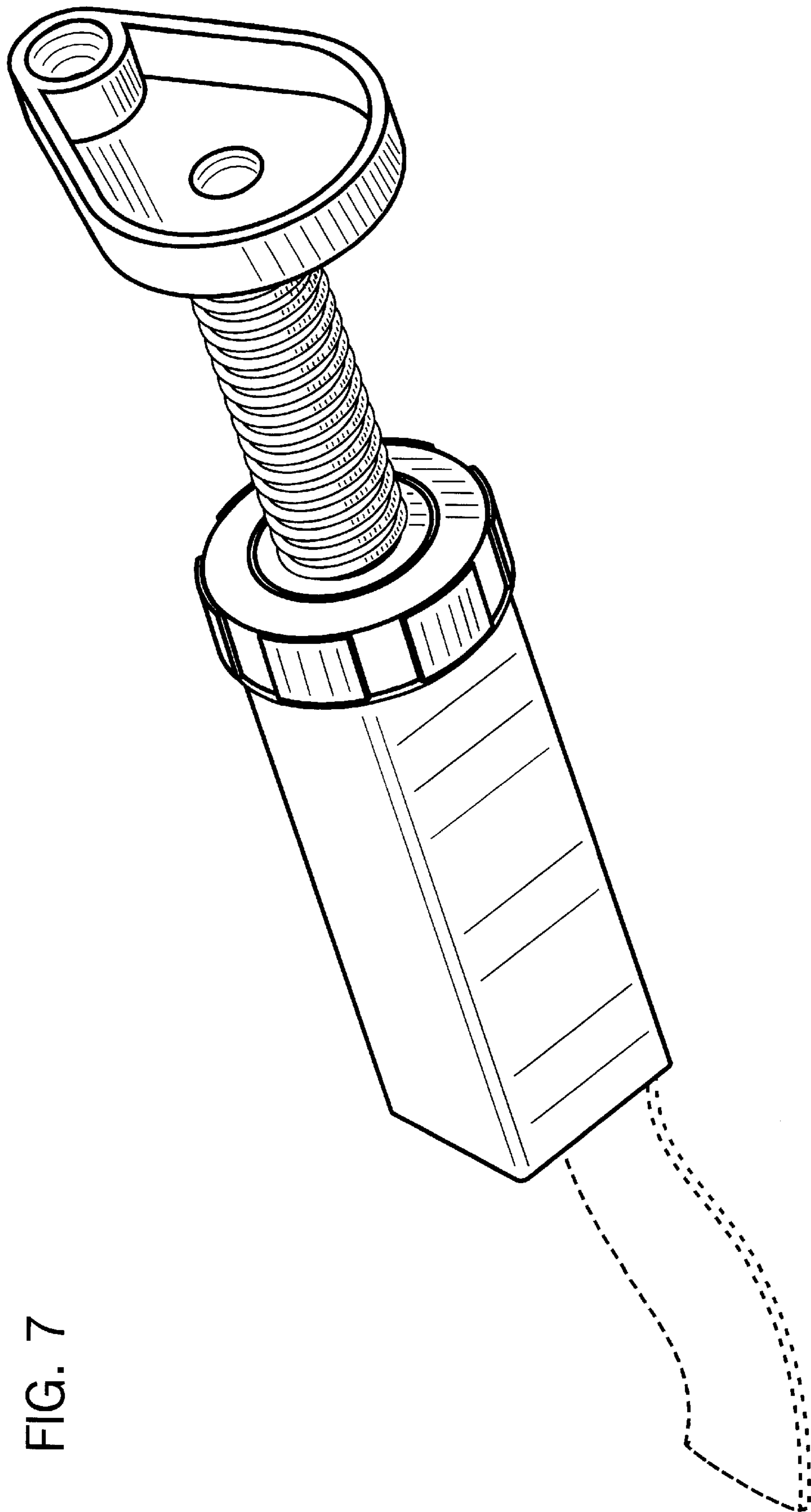


FIG. 7