



US00D444357S

(12) **United States Design Patent**
Meer et al.

(10) **Patent No.:** **US D444,357 S**

(45) **Date of Patent:** **** Jul. 3, 2001**

(54) **CANNED FOOD DRAINING DEVICE**

5,272,969 * 12/1993 McDonald 100/110

(76) Inventors: **Tami Nadine Meer; Michael Zev Meer**, both of 3817 Sugar Loaf La., Skokie, IL (US) 60076

* cited by examiner

Primary Examiner—Terry A. Wallace
(74) *Attorney, Agent, or Firm*—Goldstein Law Offices P.C.

(**) Term: **14 Years**

(57) **CLAIM**

(21) Appl. No.: **29/129,240**

The ornamental design for a canned food draining device, as shown and described.

(22) Filed: **Sep. 8, 2000**

DESCRIPTION

(51) **LOC (7) Cl.** **07-06**

FIG. 1 is a perspective view of a canned food draining device.

(52) **U.S. Cl.** **D7/666**

FIG. 2 is a right side elevational view thereof.

(58) **Field of Search** D7/665-668, 686;

FIG. 3 is a left side elevational view thereof.

99/495, 506; 100/110, 116, 213, 234

FIG. 4 is a front elevational view thereof.

FIG. 5 is a rear elevational view thereof.

(56) **References Cited**

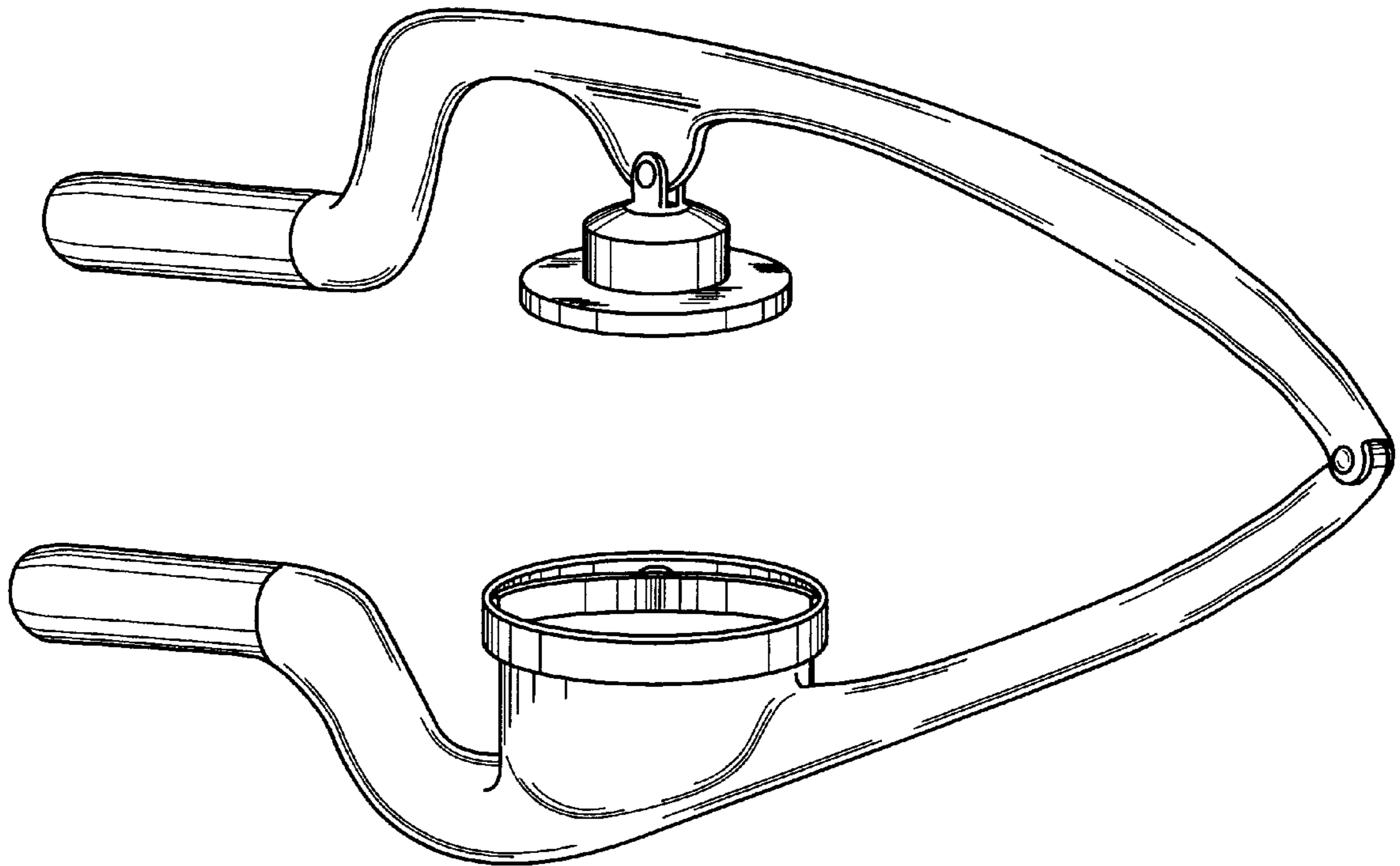
U.S. PATENT DOCUMENTS

- D. 244,118 * 4/1977 Dick D7/686
- D. 366,189 * 1/1996 Bidlack D7/666
- 4,860,647 * 8/1989 Kerslake 100/234

FIG. 6 is a top plan view of the canned food draining device; and,

FIG. 7 is a bottom plan view thereof.

1 Claim, 4 Drawing Sheets



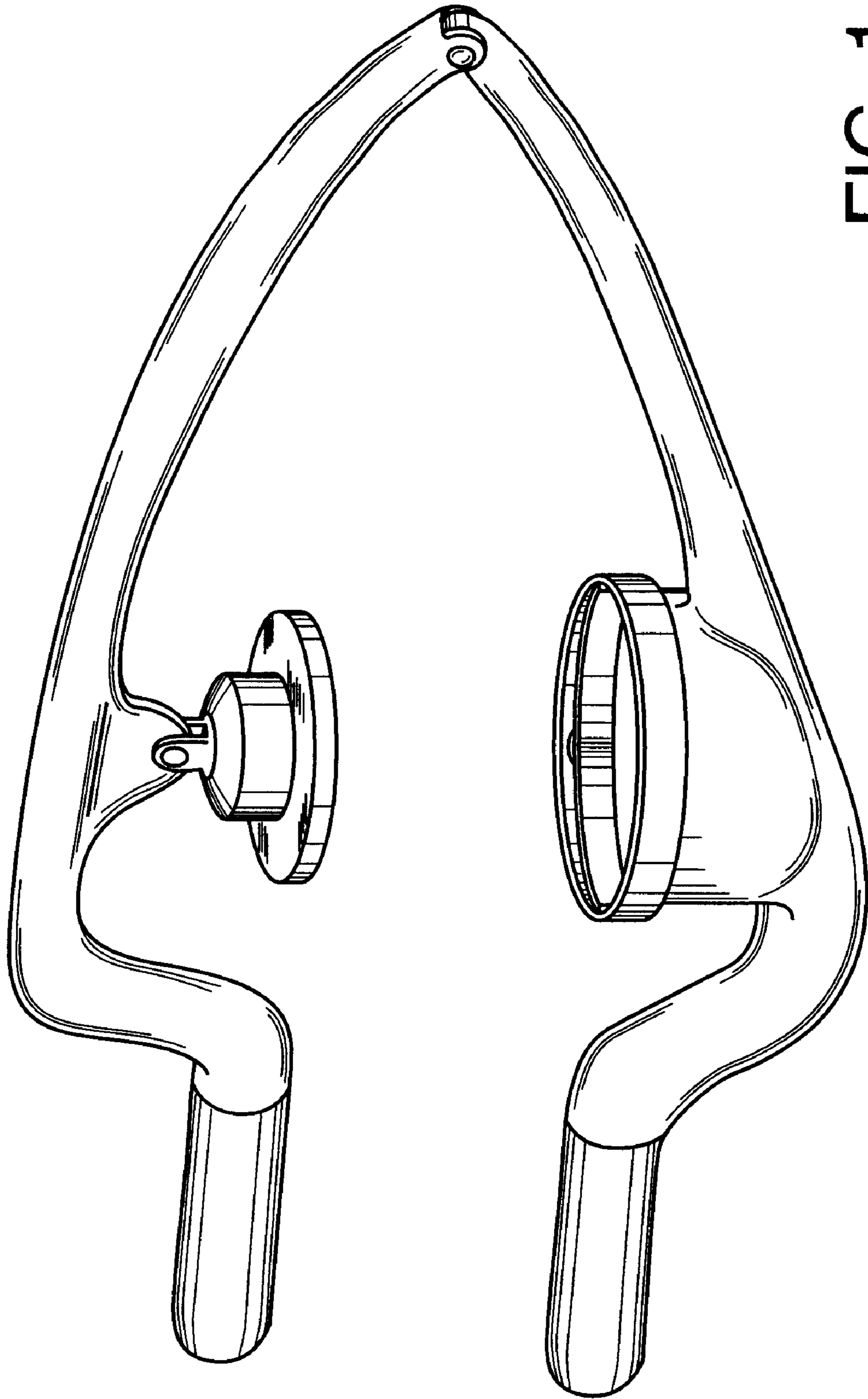


FIG. 1

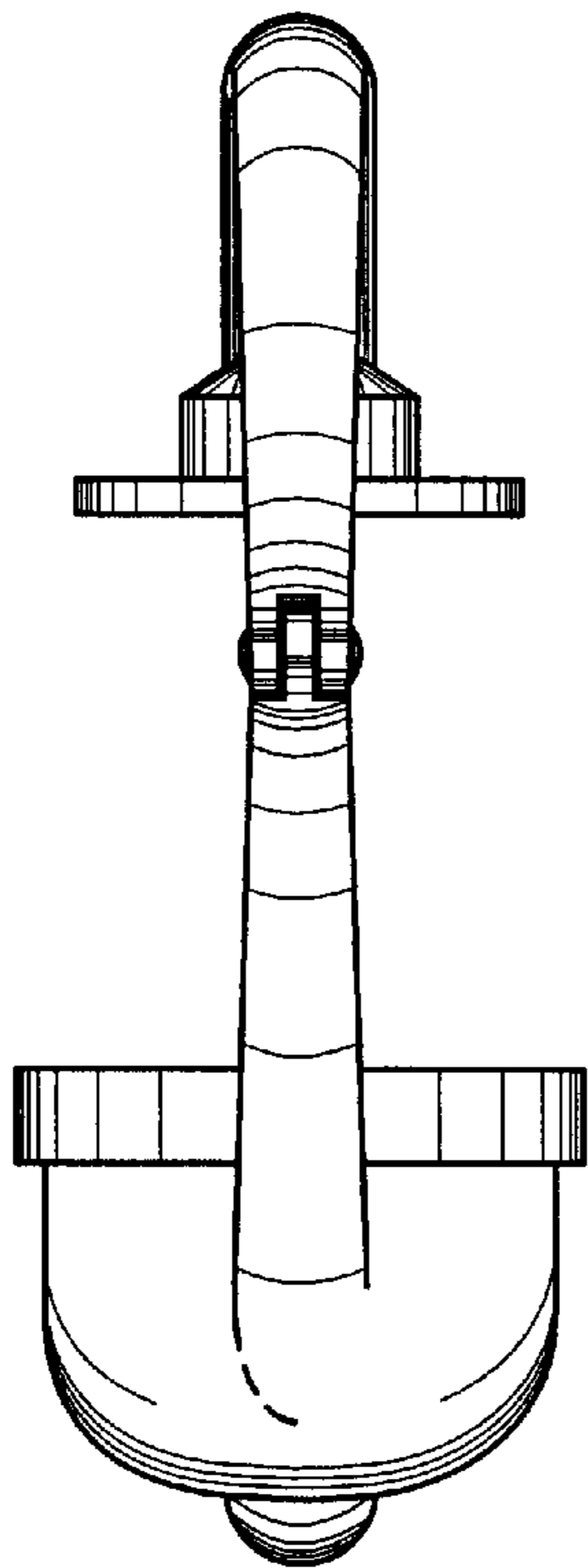


FIG. 2

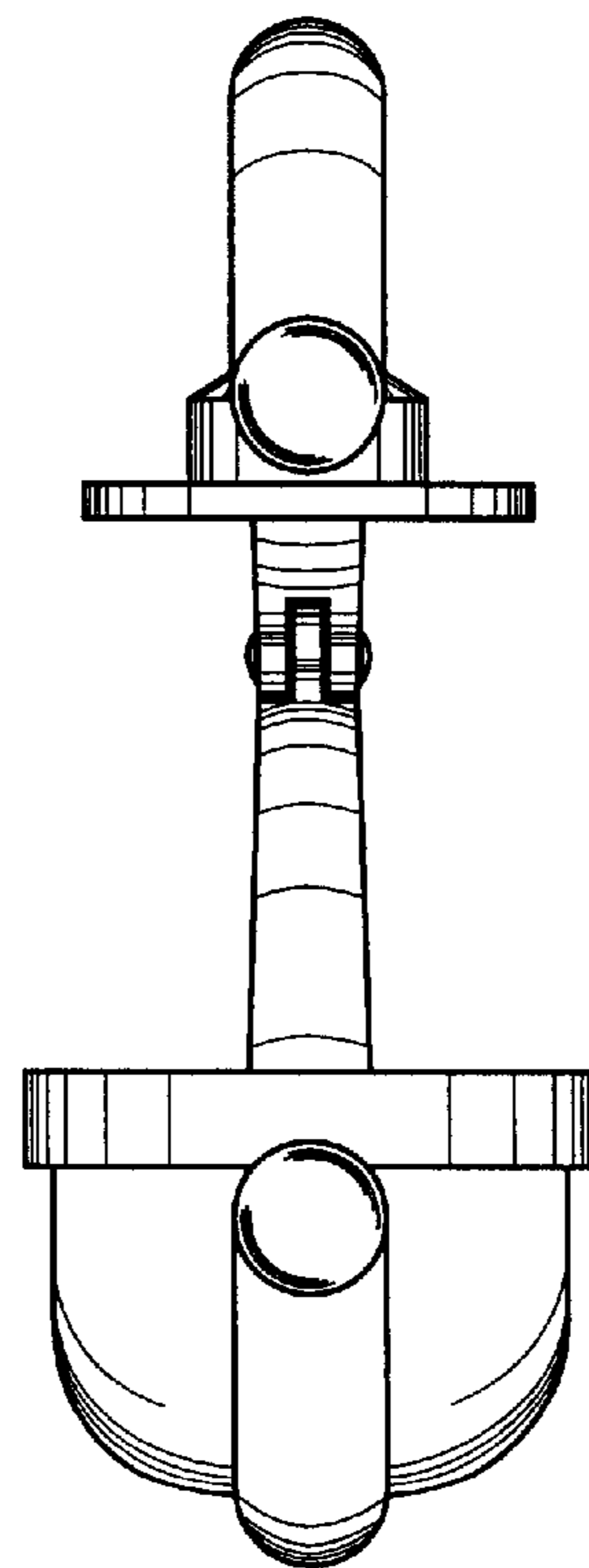


FIG. 3

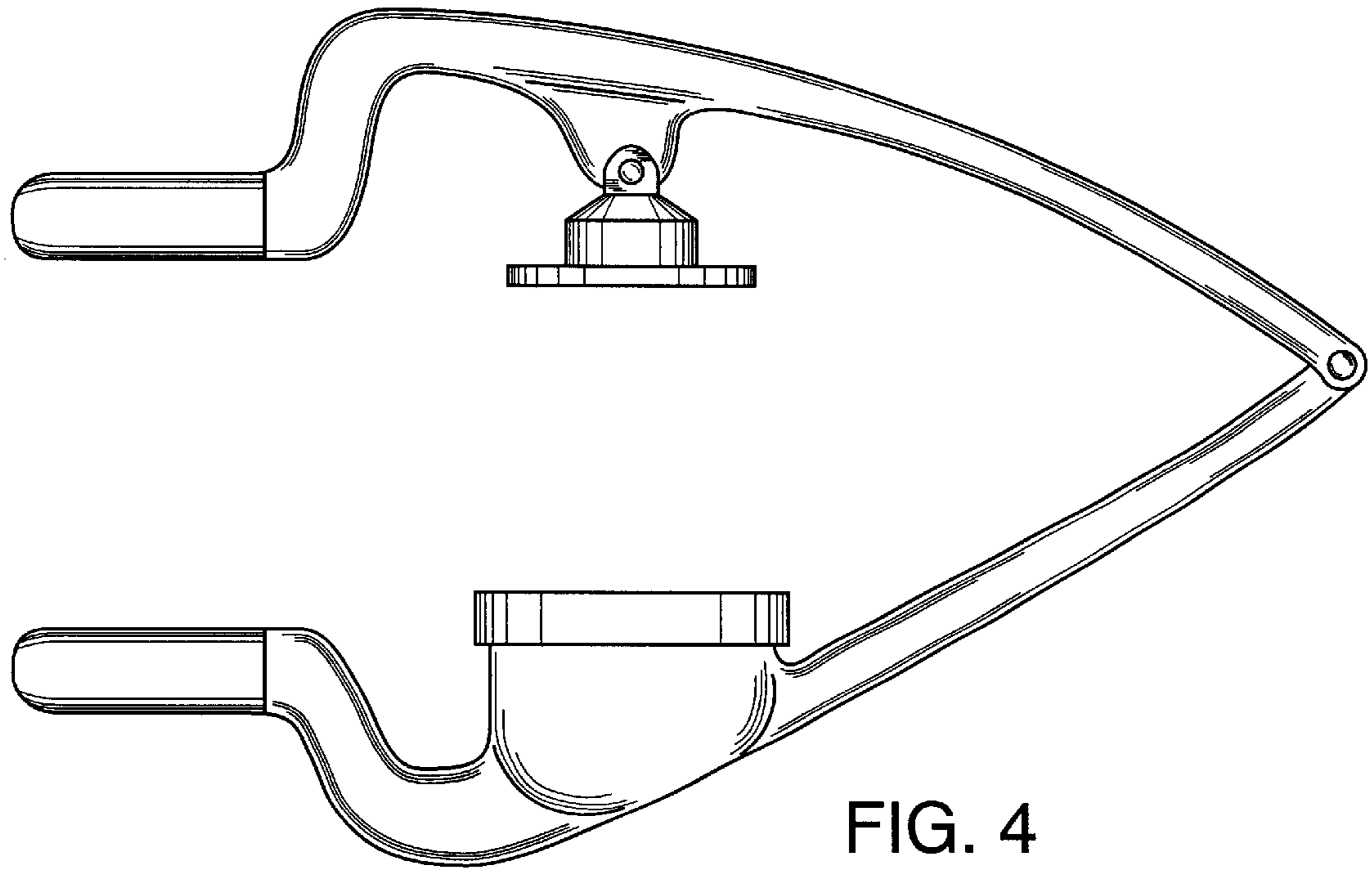


FIG. 4

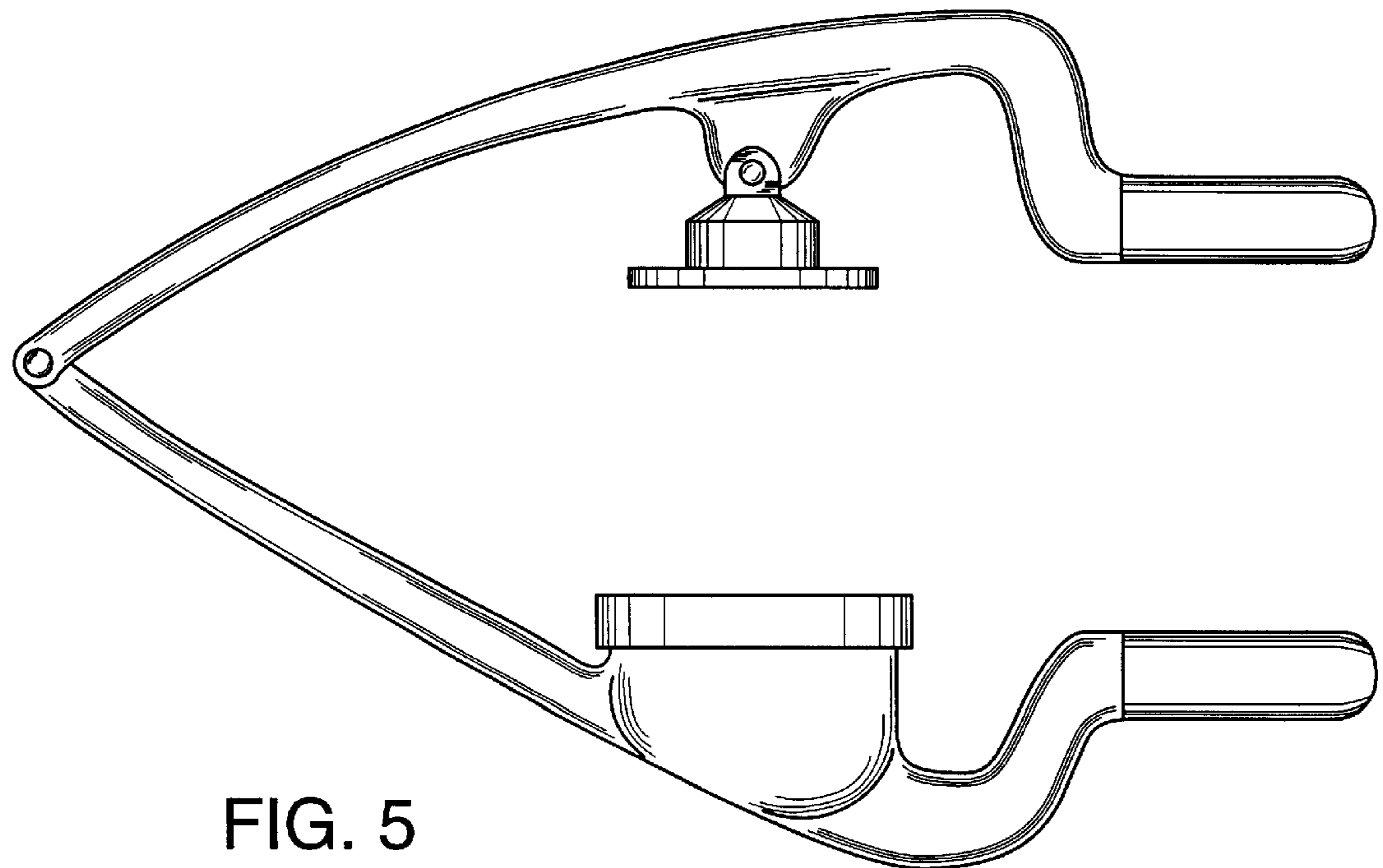


FIG. 5

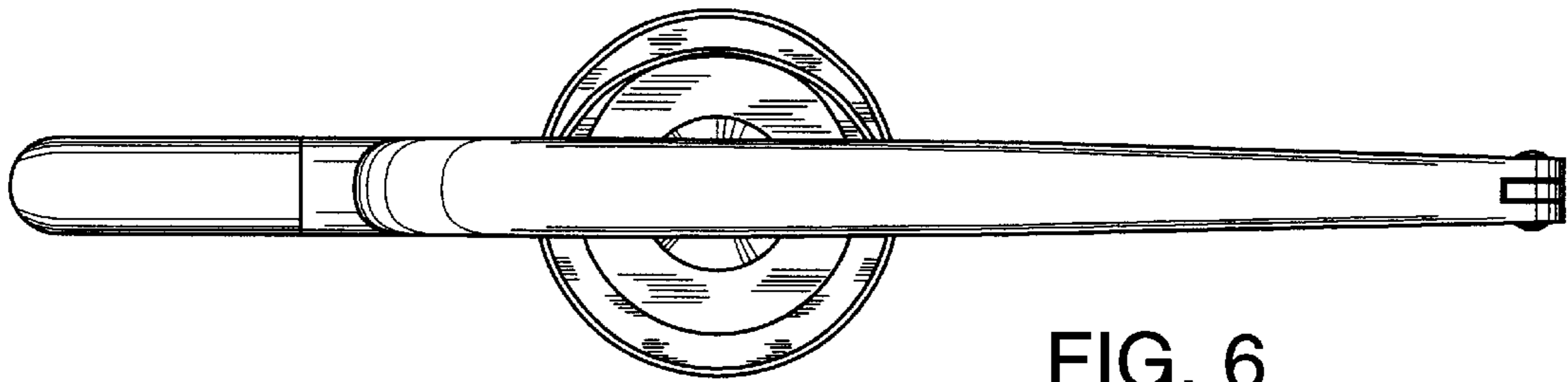


FIG. 6

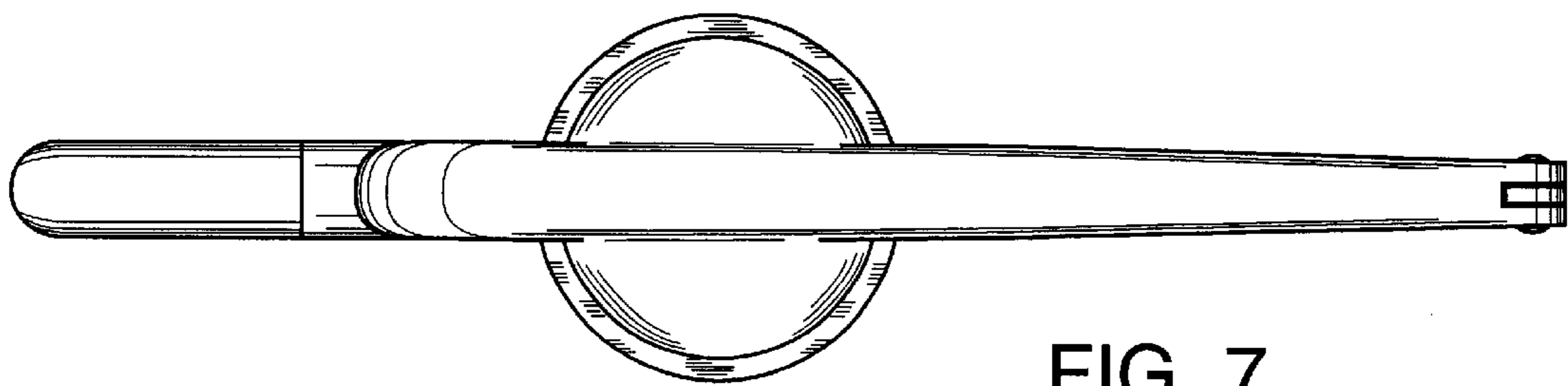


FIG. 7