



US00D444356S

(12) **United States Design Patent**  
**Conaway**

(10) **Patent No.:** **US D444,356 S**

(45) **Date of Patent:** **\*\* Jul. 3, 2001**

(54) **UTENSIL REST**

D. 363,195 \* 10/1995 Bransby ..... D7/698  
D. 378,564 \* 3/1997 Hall ..... D7/637

(75) Inventor: **Randall D Conaway**, 450 S. Denton  
Tap, Coppell, TX (US) 75019

\* cited by examiner

(73) Assignee: **Randall D Conaway**, Coppell, TX  
(US)

*Primary Examiner*—Terry A. Wallace

(\*\*) Term: **14 Years**

(57) **CLAIM**

The ornamental design for a utensil rest, as shown.

(21) Appl. No.: **29/125,187**

**DESCRIPTION**

(22) Filed: **Jun. 17, 2000**

FIG. 1 is a top, side perspective view of a utensil rest showing my new design;

(51) **LOC (7) Cl.** ..... **07-06**

FIG. 2 is a top plan view thereof;

(52) **U.S. Cl.** ..... **D7/637; D7/698**

FIG. 3 is an end view thereof;

(58) **Field of Search** ..... D7/637, 638, 698;  
211/60.1, 70.6, 70.7, 71.01; 248/37.3, 37.6,  
174

FIG. 4 is a cross-section view on line 4—4, in FIG. 7

FIG. 5 is a cross-section view on line 5—5; and, in FIG. 7

FIG. 6 is a cross-section view on line 6—6; and, in FIG. 7;  
and,

FIG. 7 is a top plan view thereof.

The broken lines are for illustrative purposes only and form no part of the claimed design.

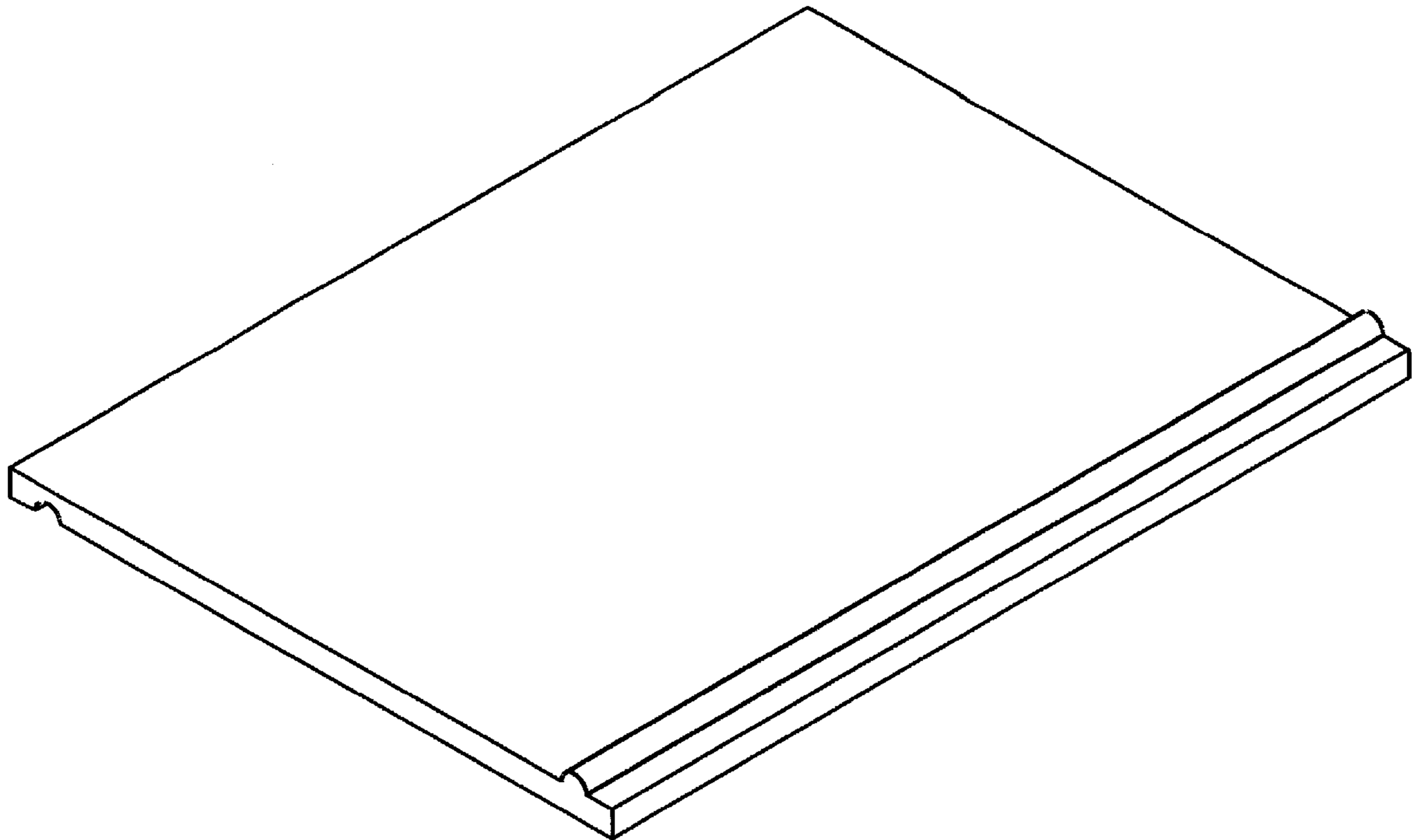
(56) **References Cited**

**U.S. PATENT DOCUMENTS**

D. 341,298 \* 11/1993 Ancona et al. .... D7/698

D. 348,378 \* 7/1994 Dandurand ..... D7/698

**1 Claim, 3 Drawing Sheets**



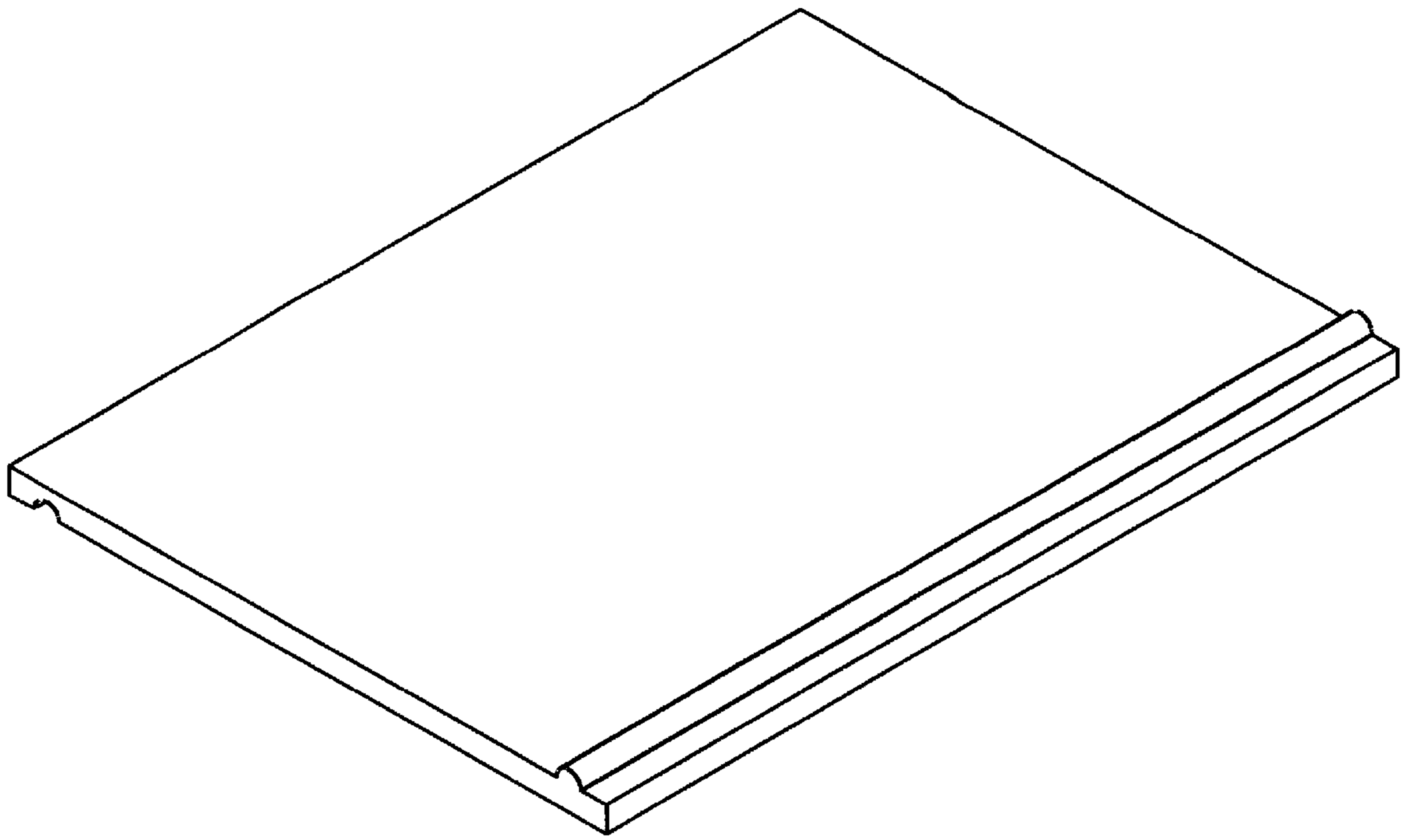


Fig 1

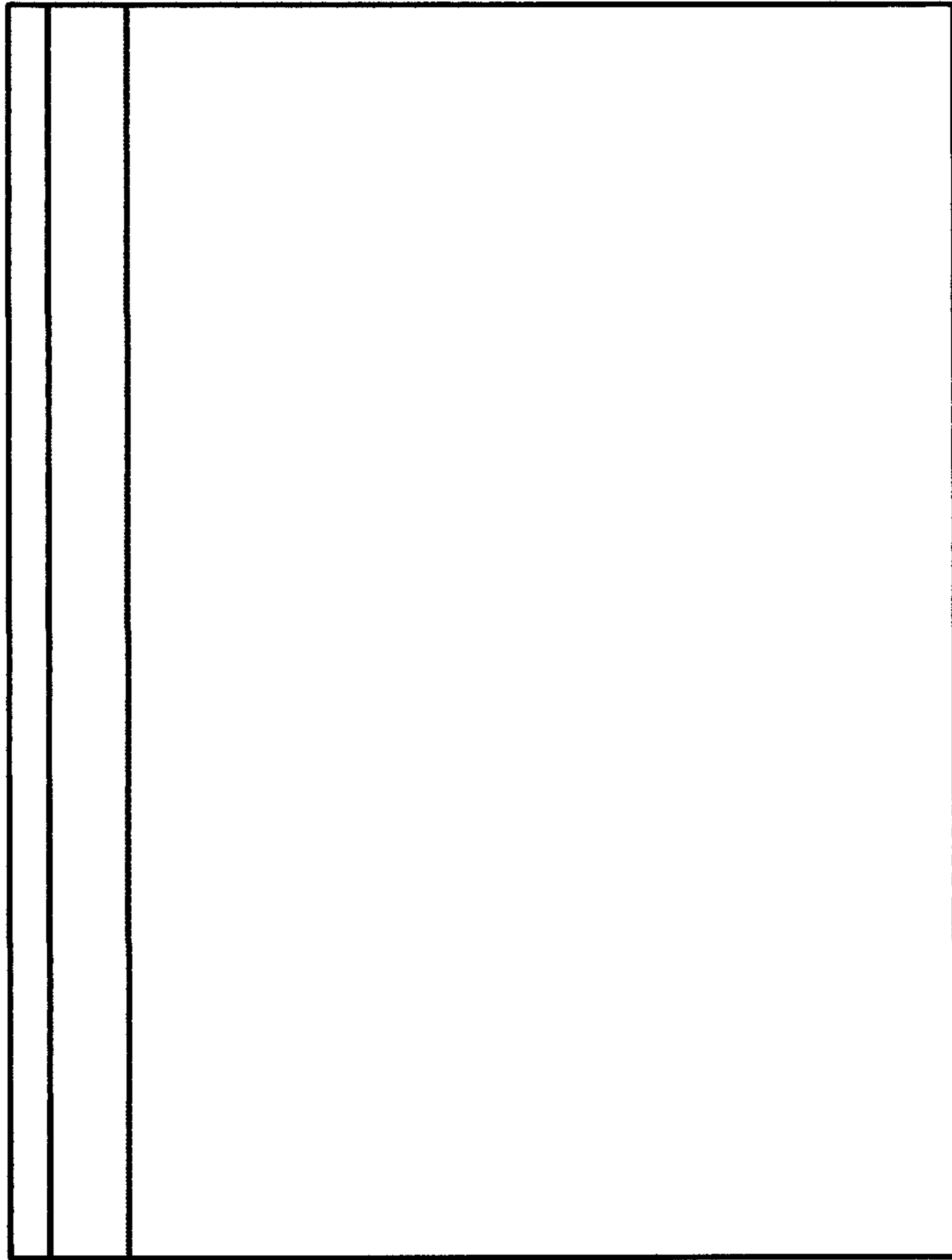


Fig 2



Fig 3

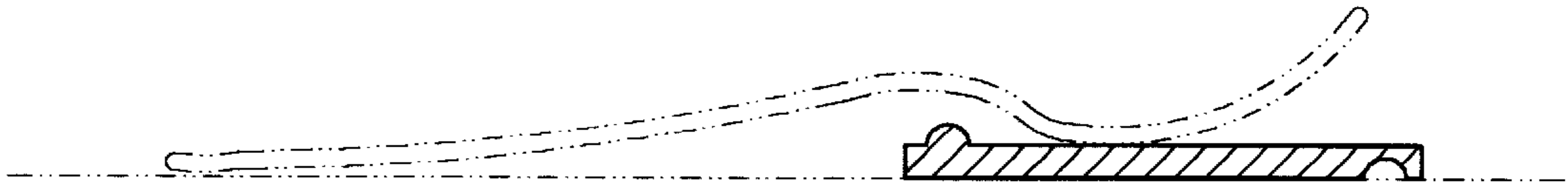


Fig 4

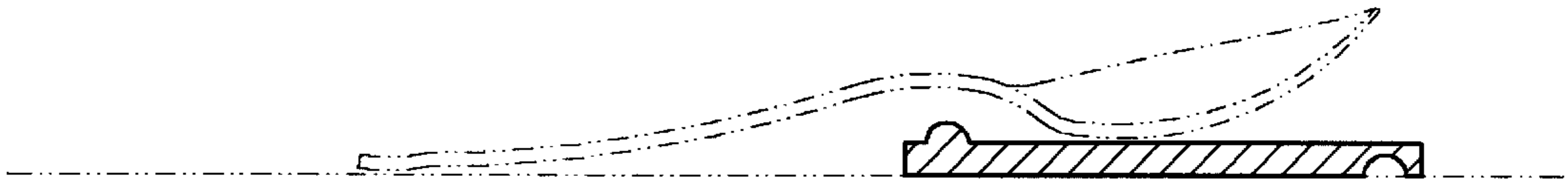


Fig 5

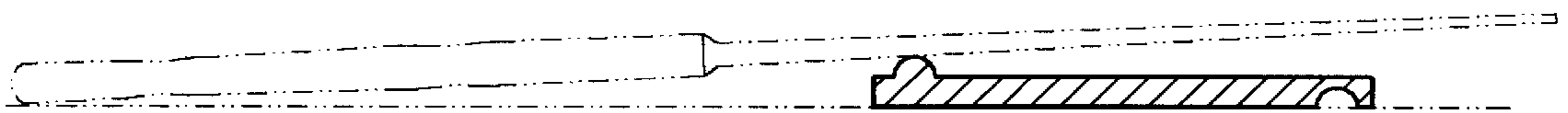


Fig 6

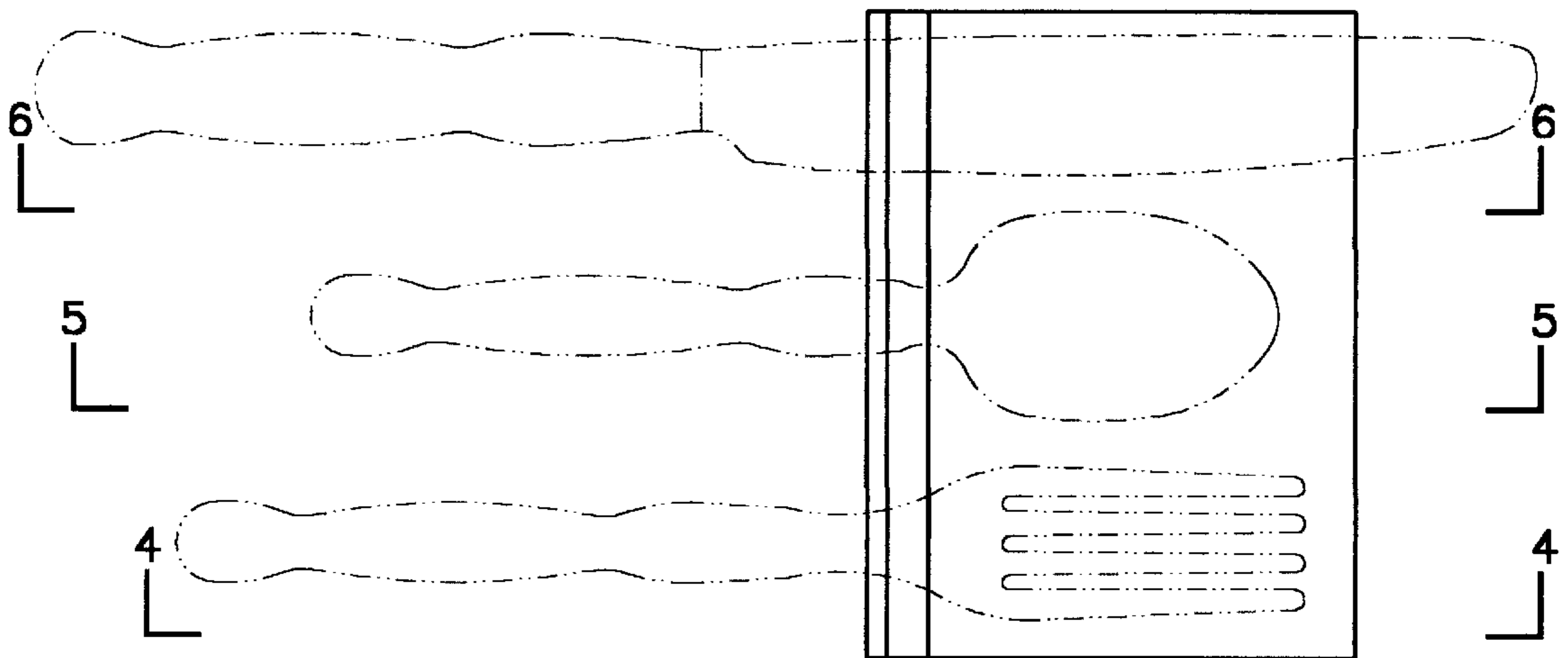


Fig 7