



US00D444343S

(12) **United States Design Patent**
Chang

(10) **Patent No.:** **US D444,343 S**

(45) **Date of Patent:** **** Jul. 3, 2001**

(54) **MEANS FOR MAKING SOYBEAN MILK**

6,155,161 * 12/2000 Chan 99/348

(76) Inventor: **Kwei Tang Chang**, No. 14, Lane 54,
Luong Chuan St., Panchiao City, Taipei
Hsien (TW)

* cited by examiner

Primary Examiner—Caron D. Veynar

(74) *Attorney, Agent, or Firm*—Rosenberg, Klein & Lee

(**) Term: **14 Years**

(57) **CLAIM**

(21) Appl. No.: **29/119,990**

The ornamental design for a means for making soybean milk, as shown and described.

(22) Filed: **Mar. 13, 2000**

DESCRIPTION

(51) **LOC (7) Cl.** **31-00**

(52) **U.S. Cl.** **D7/377; D7/319; D7/376**

(58) **Field of Search** **D7/376, 377, 378,**
D7/317-319; 99/348

FIG. 1 is a perspective view of a means for making soybean milk showing my new design;

FIG. 2 is the front view thereof;

FIG. 3 is the rear view thereof;

FIG. 4 is the right side view thereof, (the left side view is same as FIG. 4 due to symmetry);

FIG. 5 is the top view thereof; and,

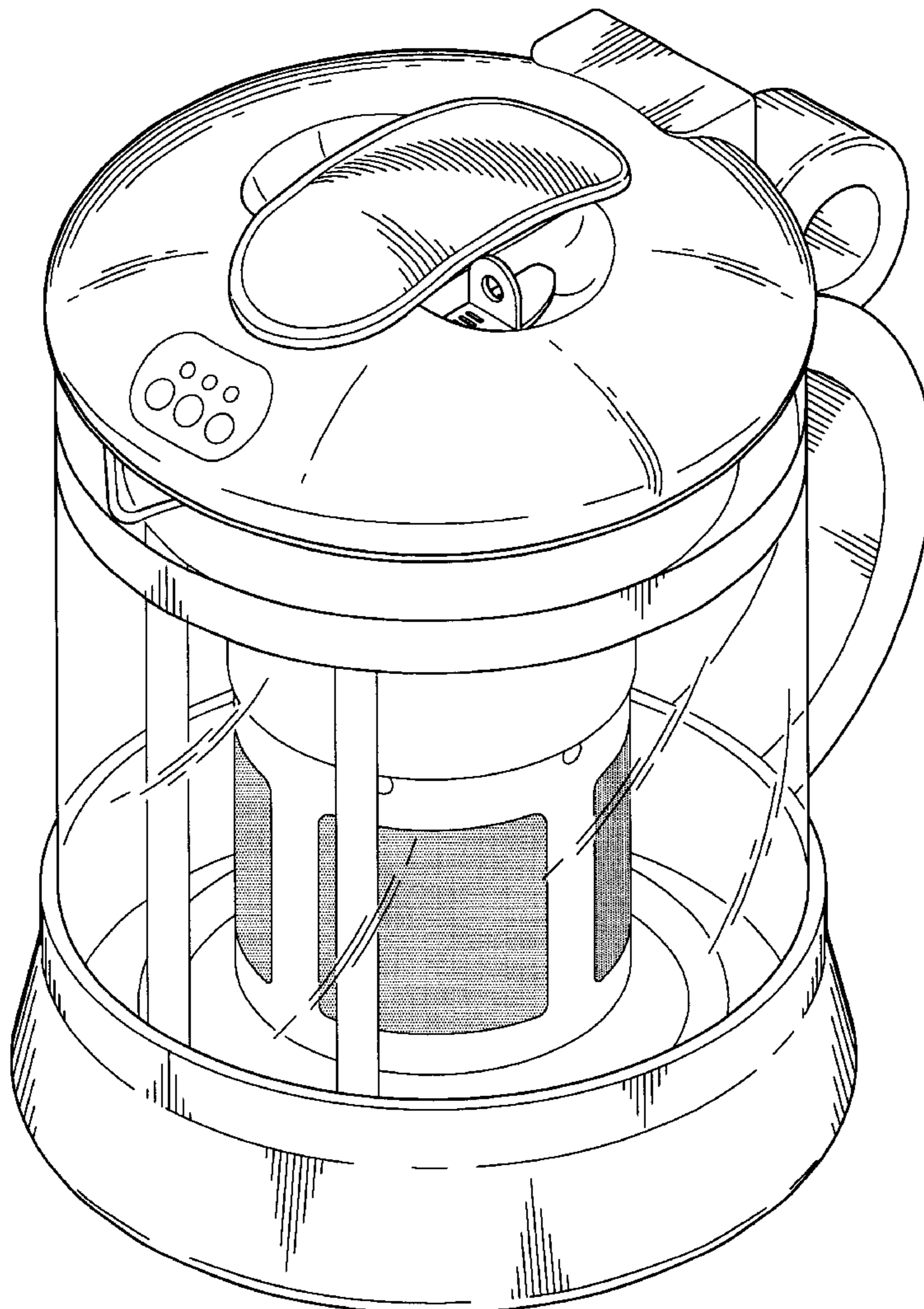
FIG. 6 is the bottom view thereof.

(56) **References Cited**

U.S. PATENT DOCUMENTS

- D. 386,351 * 11/1997 Joergensen D7/319
- D. 415,648 * 10/1999 Joergensen D7/317
- D. 415,922 * 11/1999 Kawasaki et al. D7/317
- D. 422,448 * 4/2000 Kindig et al. D7/378

1 Claim, 6 Drawing Sheets



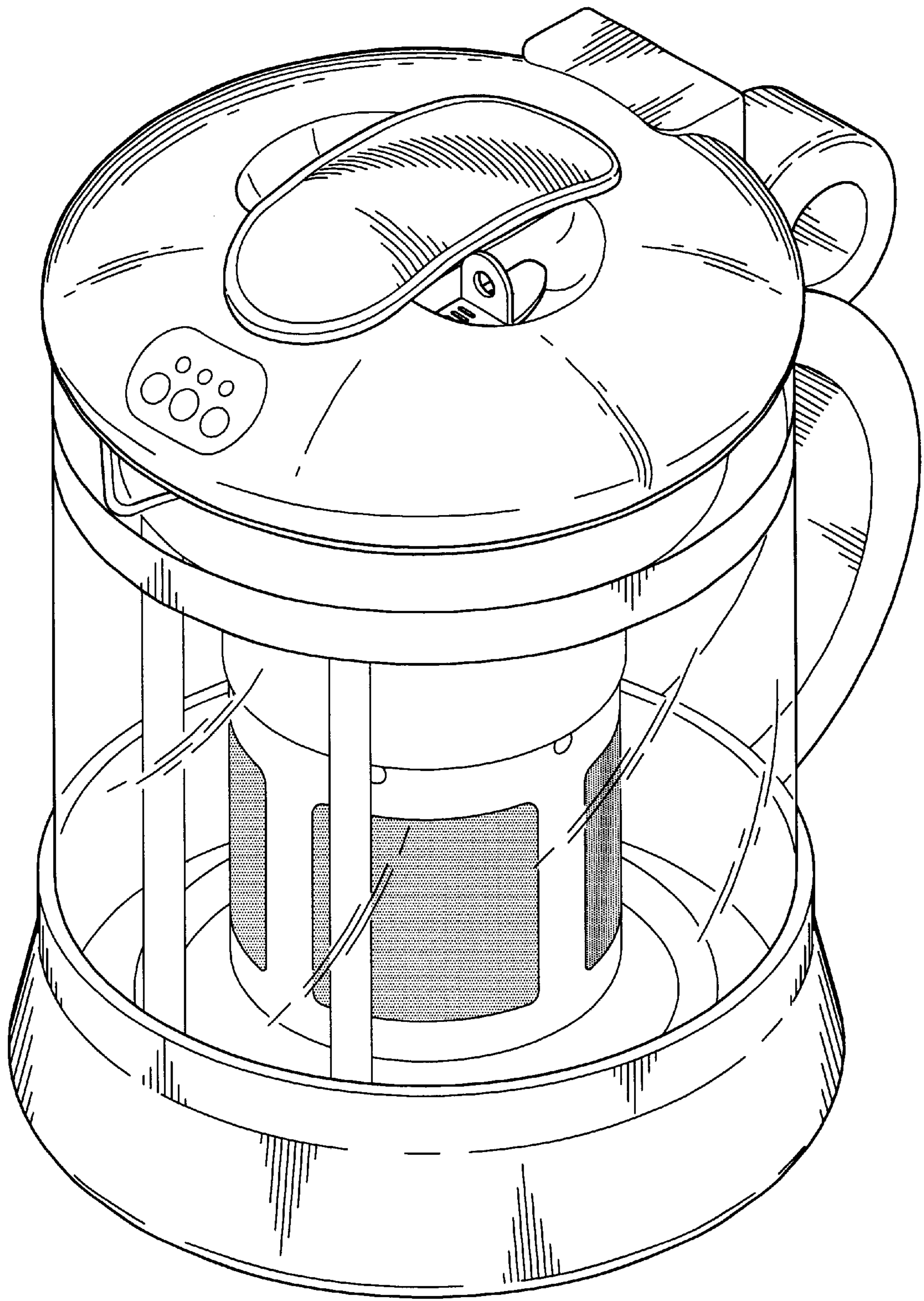


FIG. 1

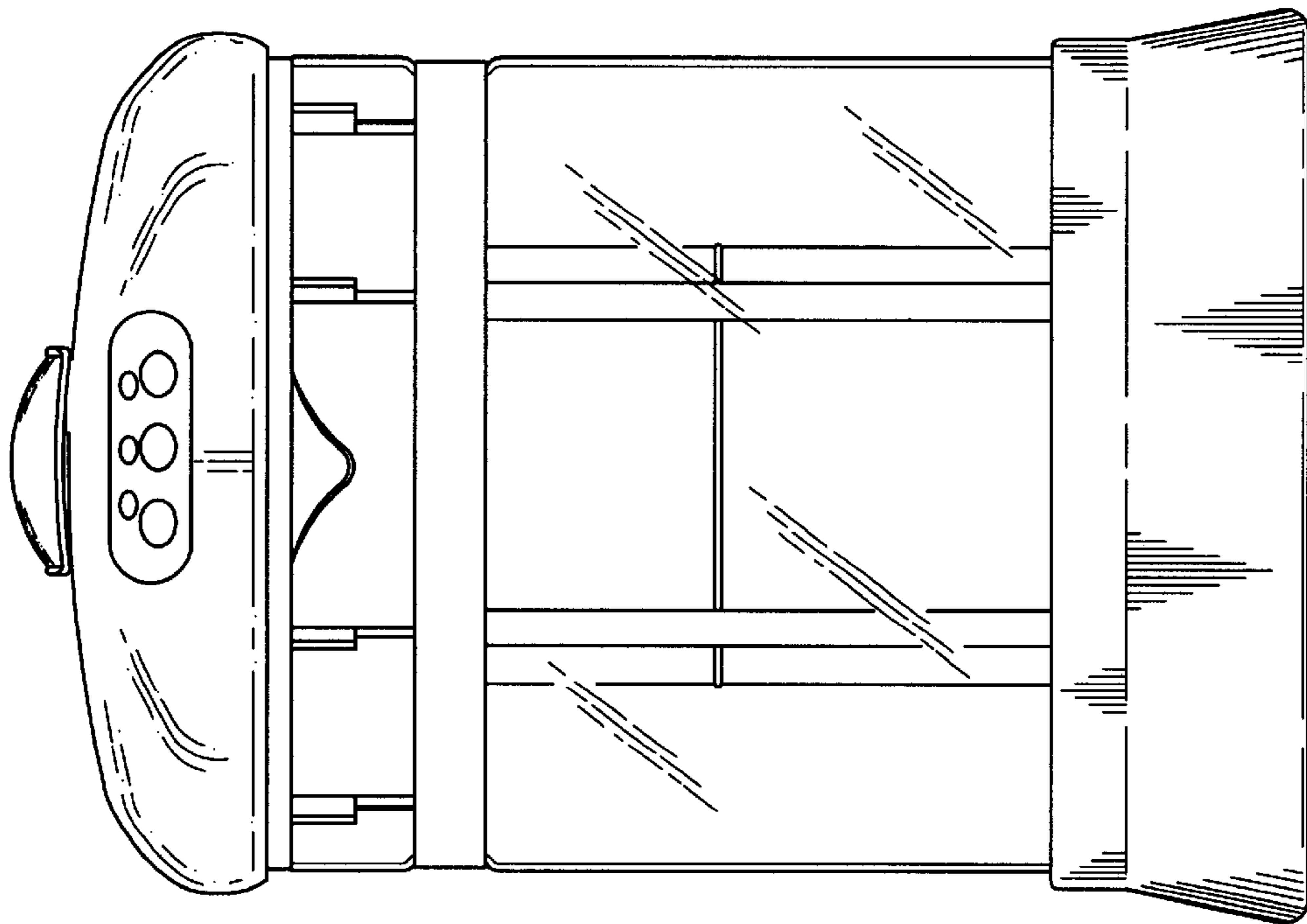


FIG. 2

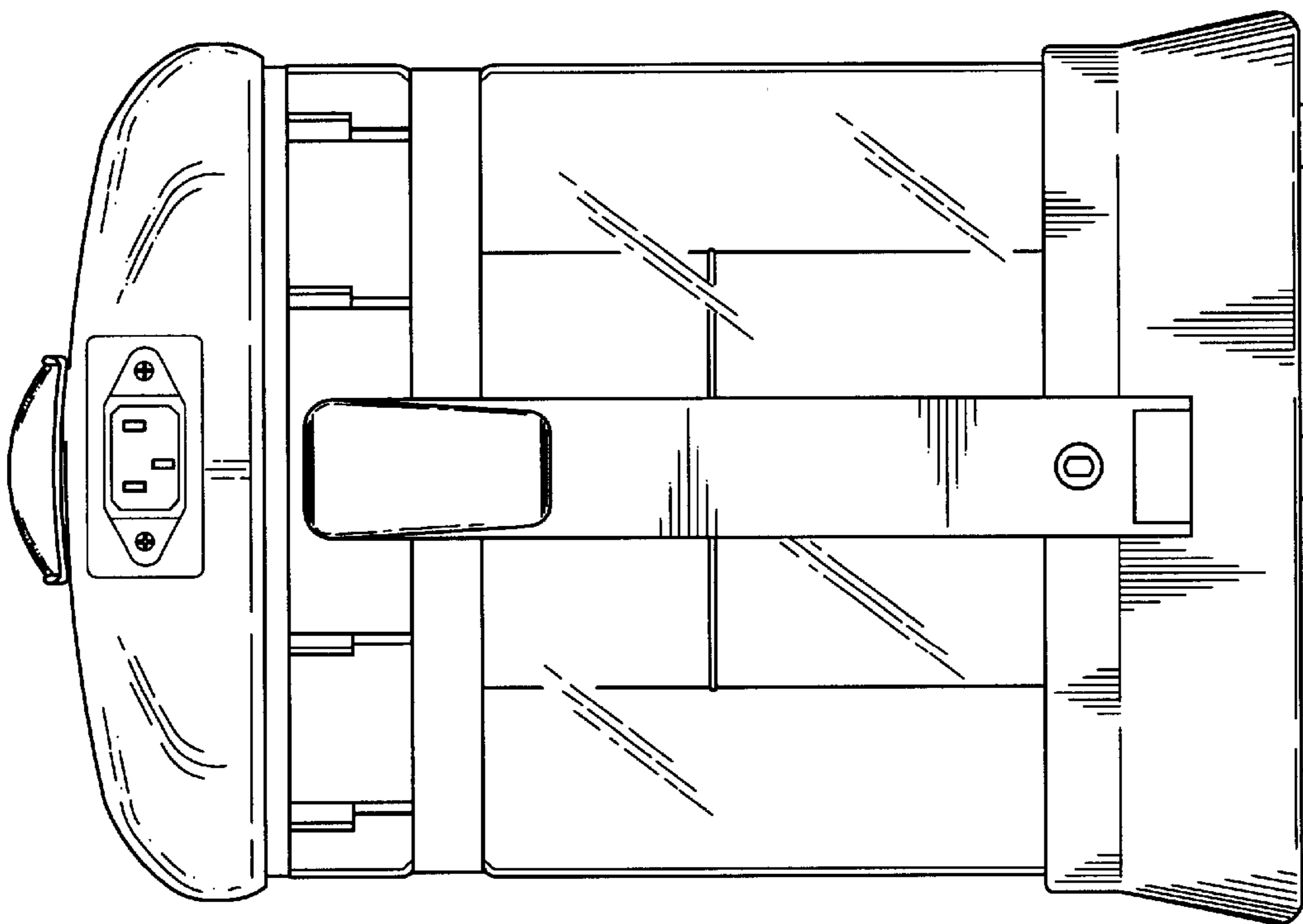


FIG. 3

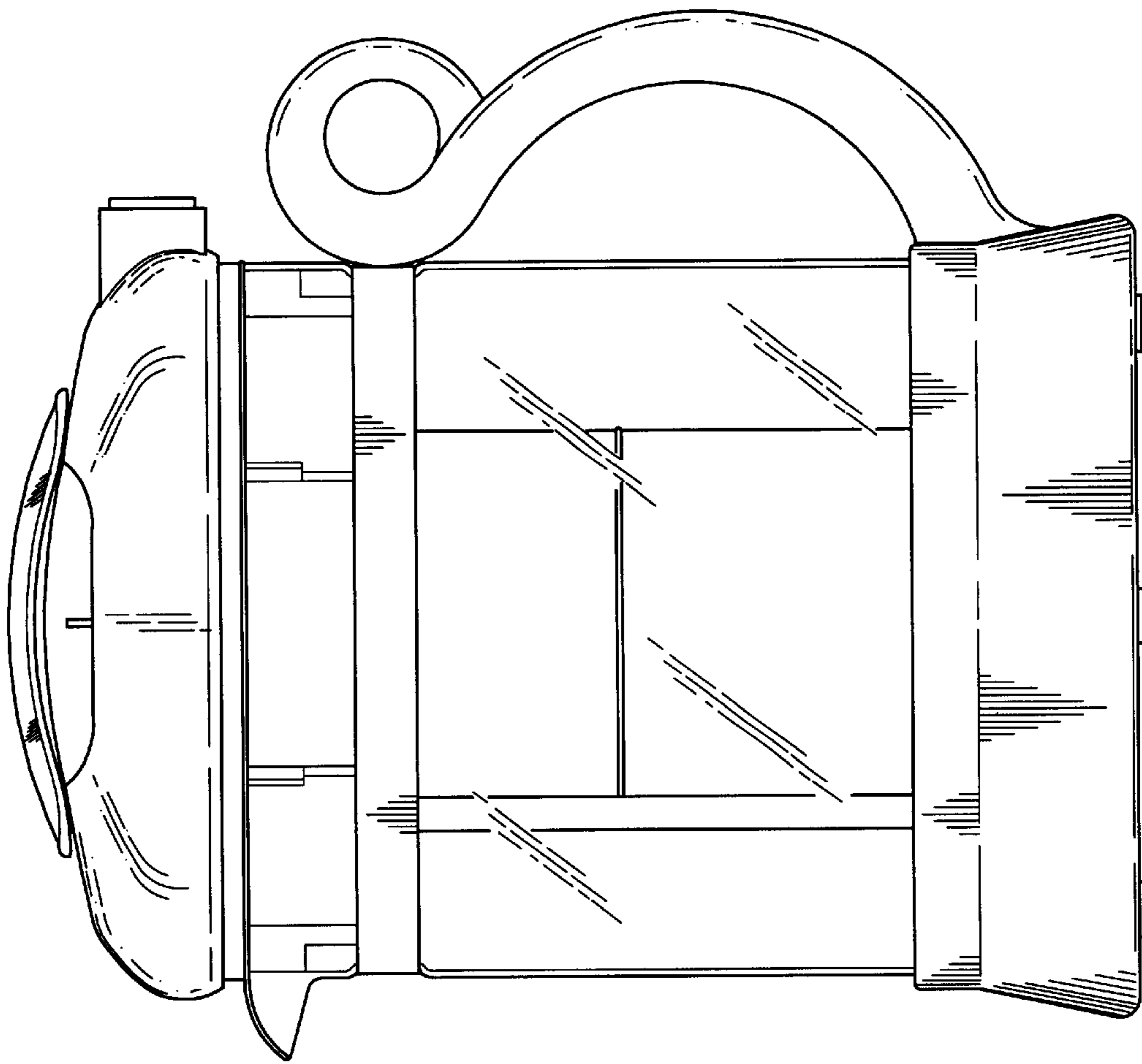


FIG. 4

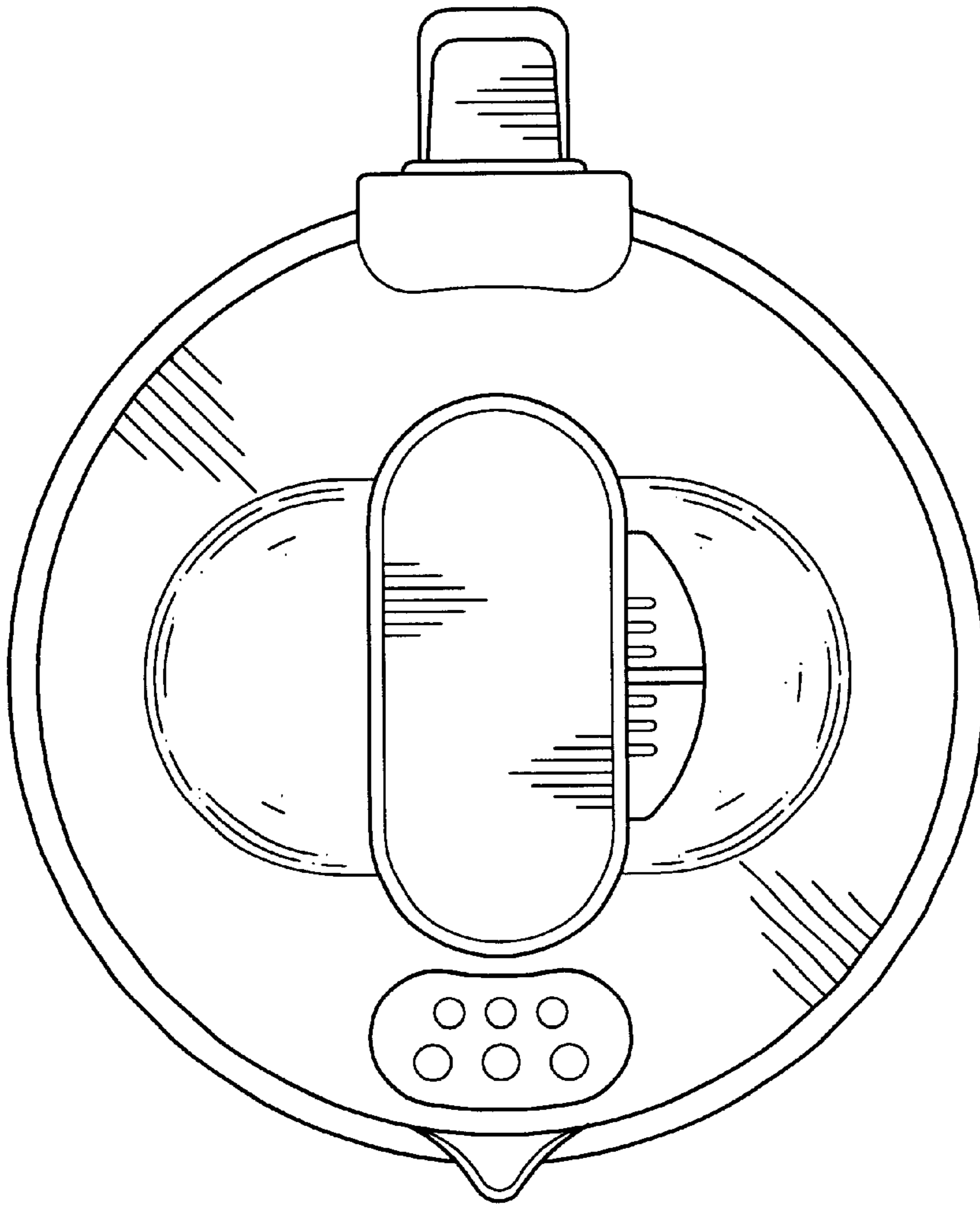


FIG. 5

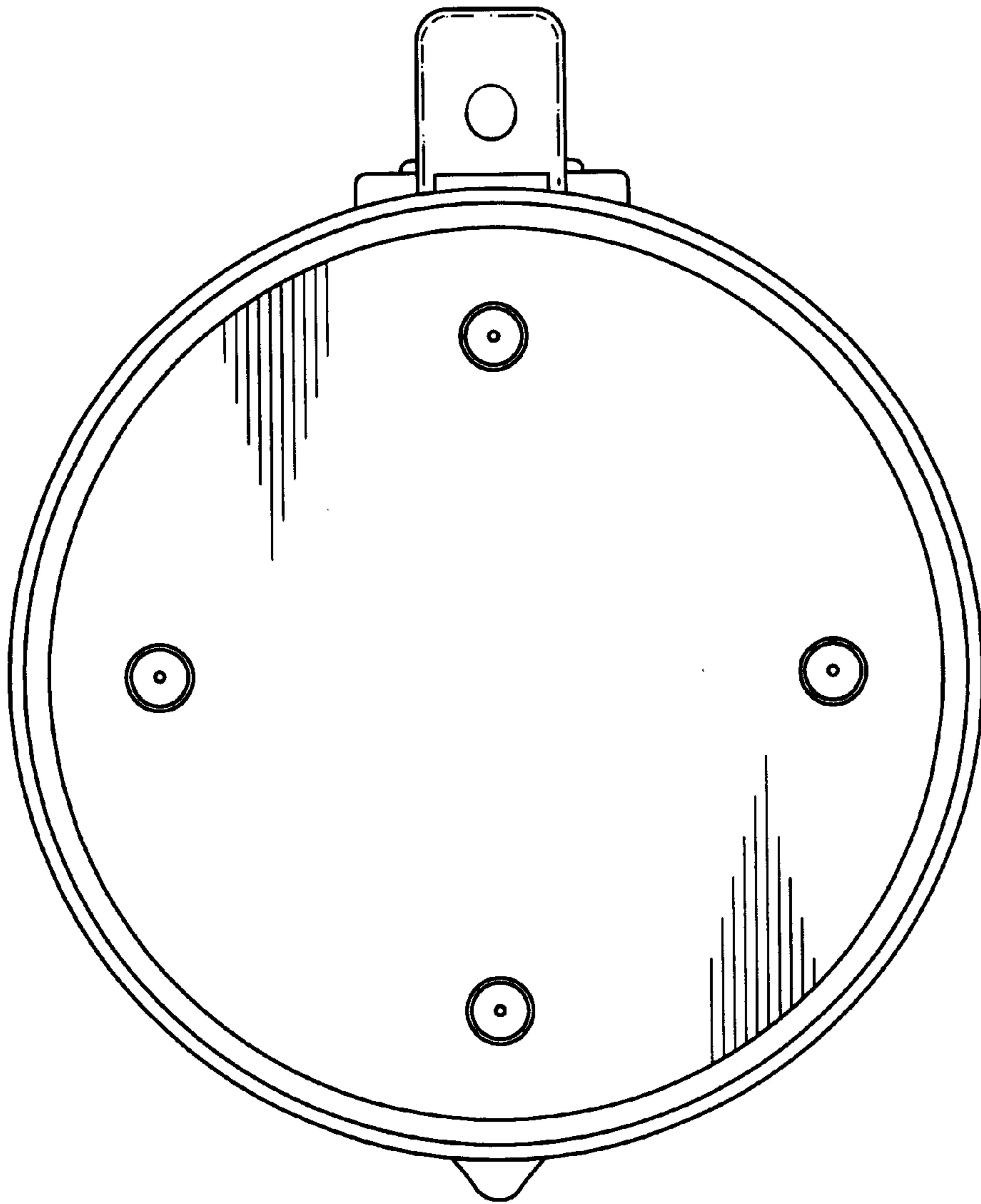


FIG. 6