



US00D444342S

(12) **United States Design Patent**
Kruepke et al.

(10) **Patent No.:** **US D444,342 S**

(45) **Date of Patent:** **** Jul. 3, 2001**

(54) **SKILLET**

1059176 11/1988 (GB) .
62-196289 12/1997 (JP) .

(75) Inventors: **Annette T. Kruepke**, Jackson; **Alan D. Bengston**, Shorewood, both of WI (US)

OTHER PUBLICATIONS

Pages from Fingerhut Catalogs dated prior to Sep. 10, 1993.

(73) Assignee: **Premark WB Holdings, Inc.**,
Wilmington, DE (US)

Primary Examiner—Caron D. Veynar

(**) Term: **14 Years**

(74) *Attorney, Agent, or Firm*—Michael Best & Friedrich LLP

(21) Appl. No.: **29/123,048**

(57) **CLAIM**

(22) Filed: **May 5, 2000**

The ornamental design for a skillet, as shown and described.

(51) **LOC (7) Cl.** **07-02**

DESCRIPTION

(52) **U.S. Cl.** **D7/360**

(58) **Field of Search** D7/323, 354–360,
D7/393; 219/620–622; 99/324, 325, 339

FIG. 1 is a perspective view of a skillet constructed in accordance with one preferred embodiment of the invention; FIG. 2 is a top plan view of the skillet shown in FIG. 1; FIG. 3 is an elevation view of the front of the skillet shown in FIGS. 1 and 2 (the rear of the skillet being a mirror image of the front);

(56) **References Cited**

U.S. PATENT DOCUMENTS

- D. 195,268 * 5/1963 Reed et al. D7/360
- D. 195,688 * 7/1963 De Fano D7/393
- D. 197,243 * 12/1963 Ernest D7/360

FIG. 4 is an elevation view of the right of the skillet shown in FIGS. 1, 2 and 3;

(List continued on next page.)

FOREIGN PATENT DOCUMENTS

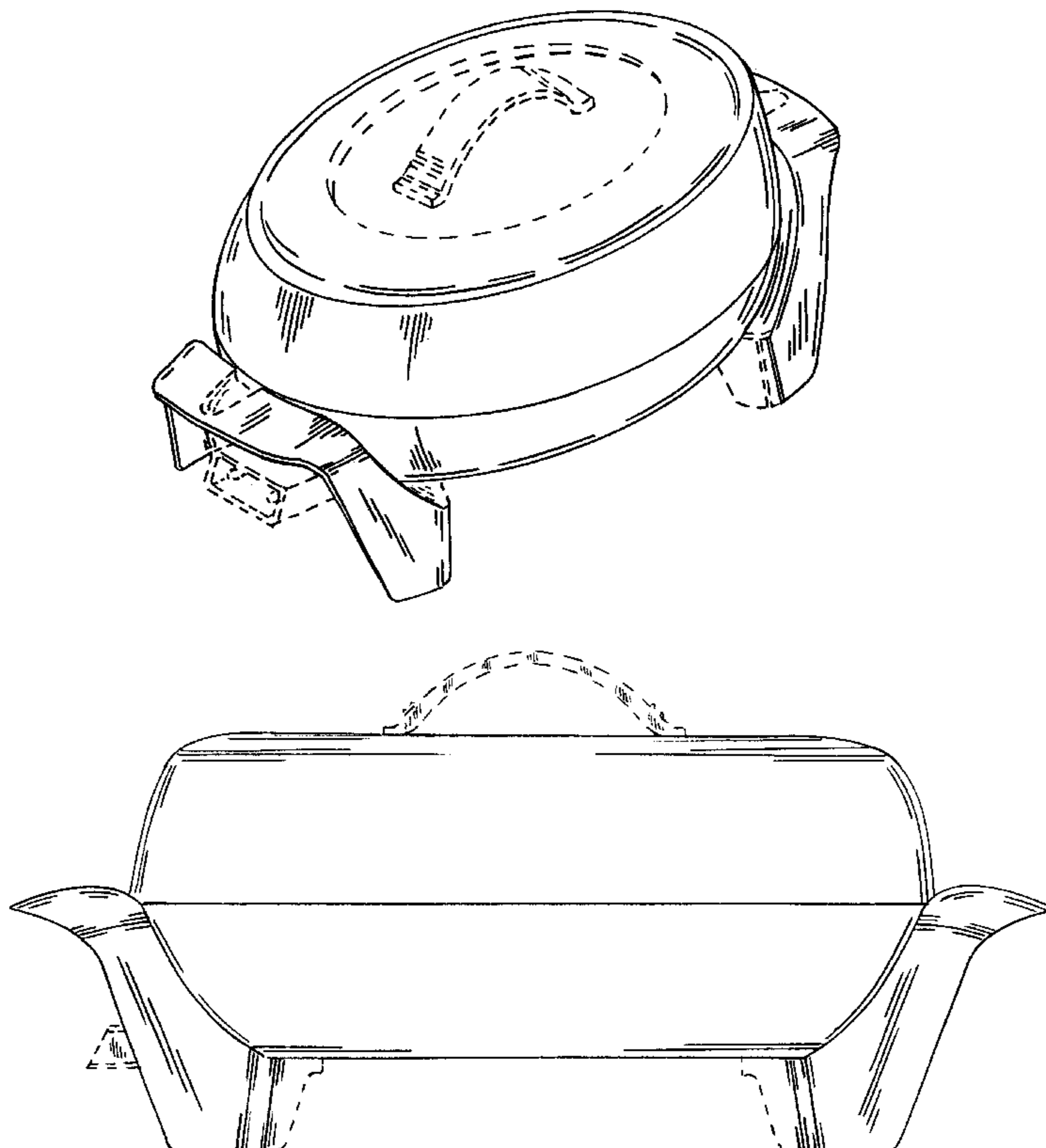
- 82814 2/1921 (AT) .
- 204091 9/1956 (AU) .
- 319391 9/1929 (GB) .
- 638519 6/1950 (GB) .

FIG. 5 is an elevation view of the left of the skillet shown in FIGS. 1, 2, 3 and 4; and,

FIG. 6 is a bottom plan view of the skillet shown in FIGS. 1, 2, 3, 4 and 5.

The broken lines shown in FIGS. 1–6 are for illustrative purposes only and form no part of the claimed design.

1 Claim, 5 Drawing Sheets

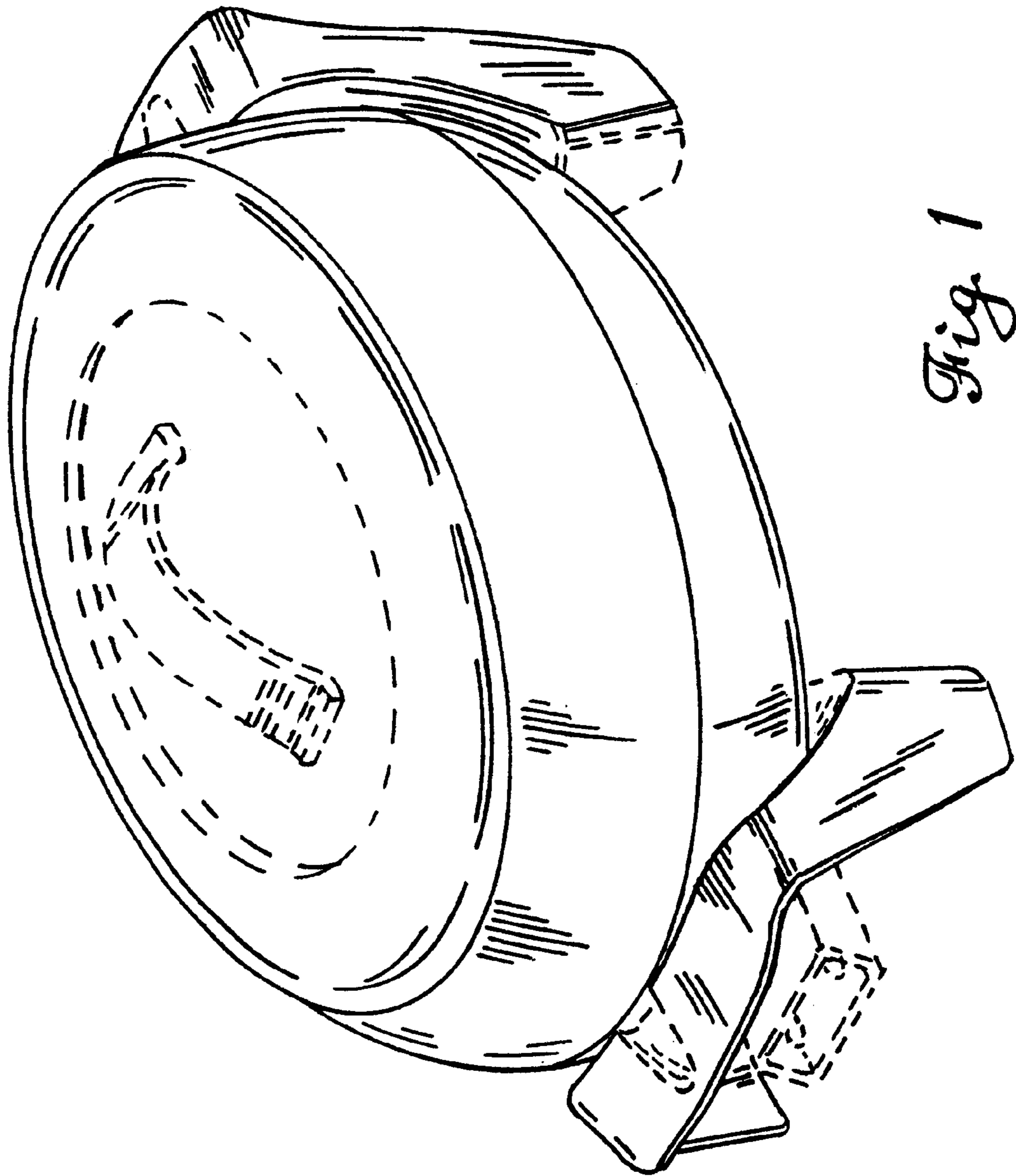


US D444,342 S

Page 2

U.S. PATENT DOCUMENTS				
		3,641,926	2/1972	Williams et al. 99/448
		3,859,505	1/1975	Herbrand et al. 219/433
D. 205,150	* 6/1966	4,106,486	8/1978	Lee 126/369
D. 206,389	* 12/1966	4,317,017	2/1982	Bowen 219/10.55 E
D. 253,930	1/1980	4,334,462	6/1982	Hefling 99/385
D. 265,538	* 7/1982	4,428,281	1/1984	Miller 99/445
D. 269,320	6/1983	4,446,776	5/1984	Gelfman 99/401
D. 278,403	4/1985	4,476,848	10/1984	Protas 126/19 M
D. 321,625	11/1991	4,495,860	1/1985	Hitch et al. 99/340
D. 369,272	4/1996	4,528,975	7/1985	Wang 126/369
D. 386,647	11/1997	4,539,455	9/1985	Colato et al. 219/10.55 E
1,047,418	12/1912	4,614,852	9/1986	Matsushita et al. 219/10.49 R
1,493,459	5/1924	4,667,085	5/1987	Rommel et al. 219/439
2,236,837	4/1941	4,818,832	4/1989	Fukumoto 219/10.55 E
2,279,000	4/1942	4,920,251	4/1990	Whitenack et al. 219/401
2,430,715	11/1947	4,962,697	10/1990	Farrar 99/340
2,523,332	9/1950	5,148,737	9/1992	Poulson 99/327
2,641,581	9/1953	5,176,067	1/1993	Higgins 99/340
2,653,117	9/1953	5,275,094	1/1994	Naft 99/416
2,702,334	2/1955	5,438,916	8/1995	Dornbush et al. 99/448
2,708,436	5/1955	5,467,696	11/1995	Everhart 99/425
2,730,608	1/1956	5,656,188	8/1997	Janowiak et al. 219/438
2,969,452	1/1961			
3,179,277	4/1965			
3,641,920	2/1972			

* cited by examiner



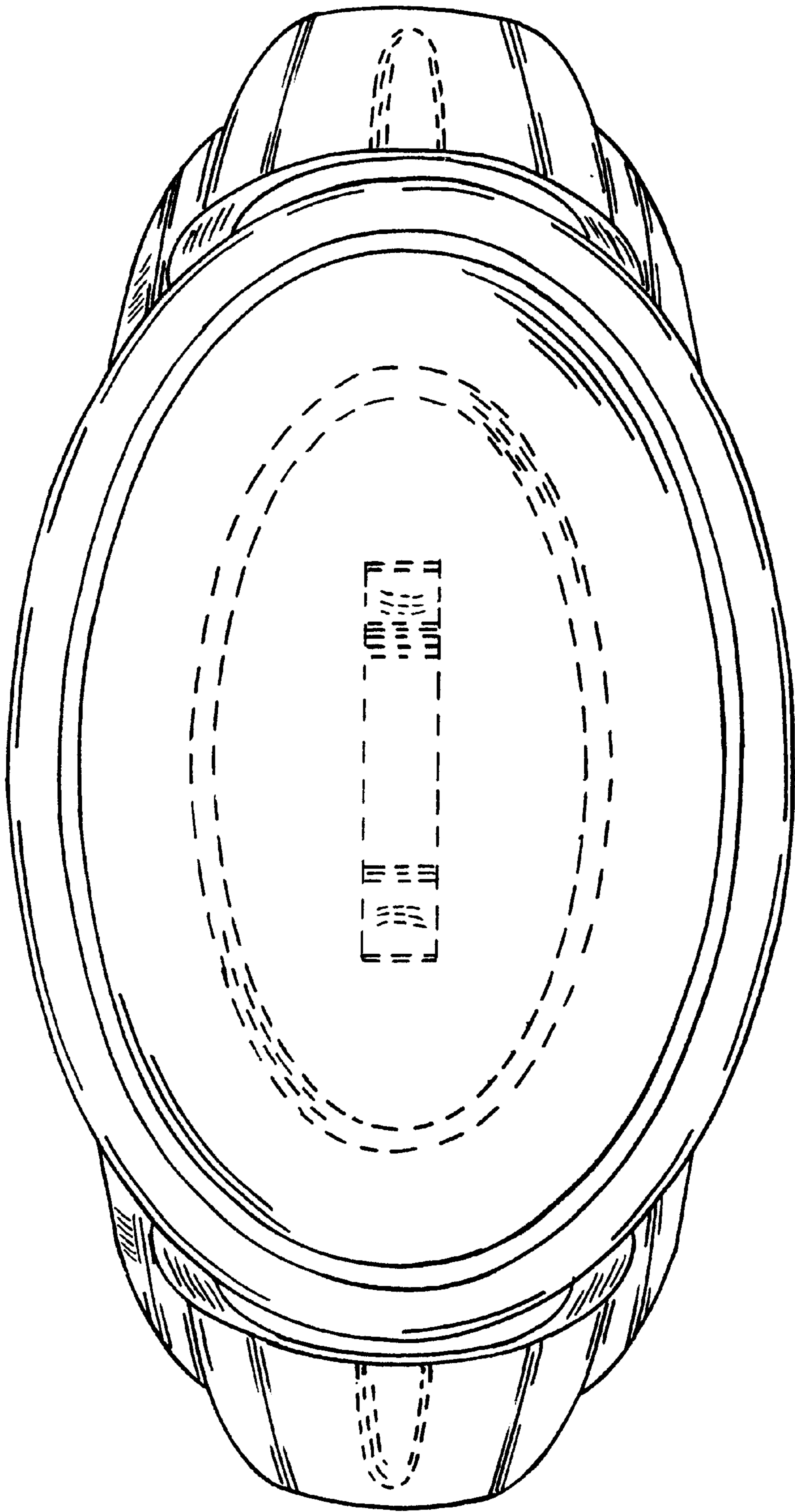


Fig. 2

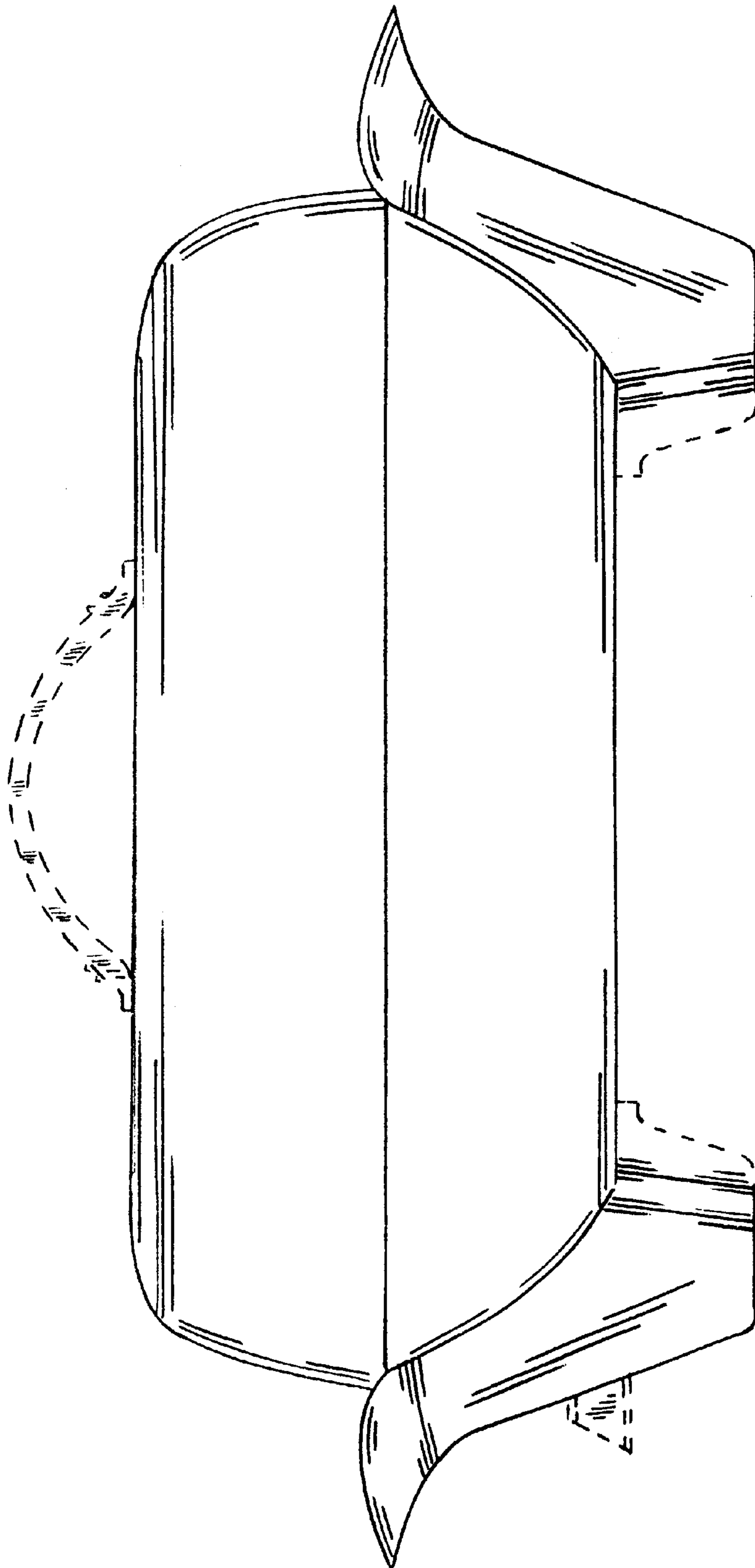


Fig. 3

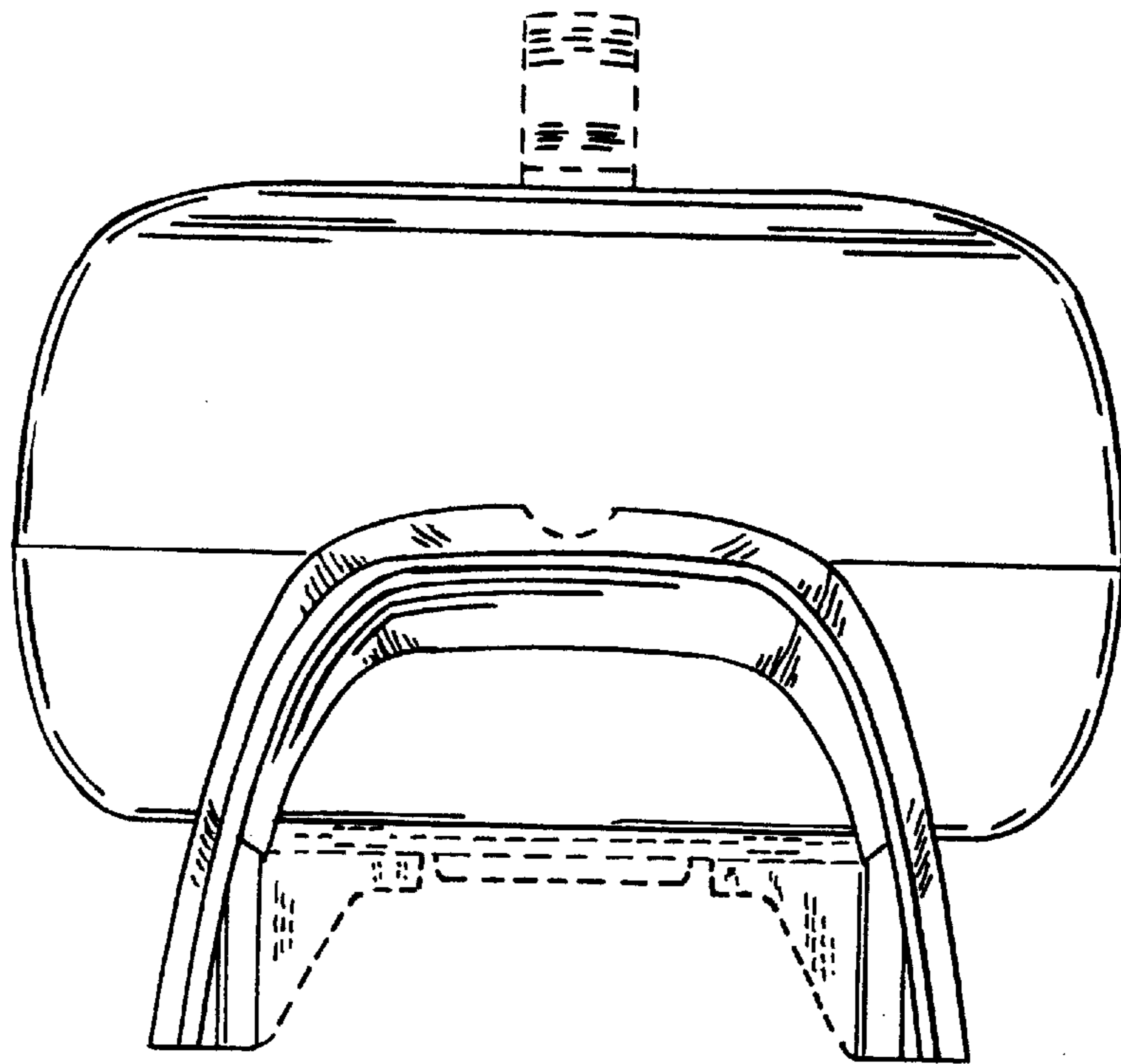


Fig 4

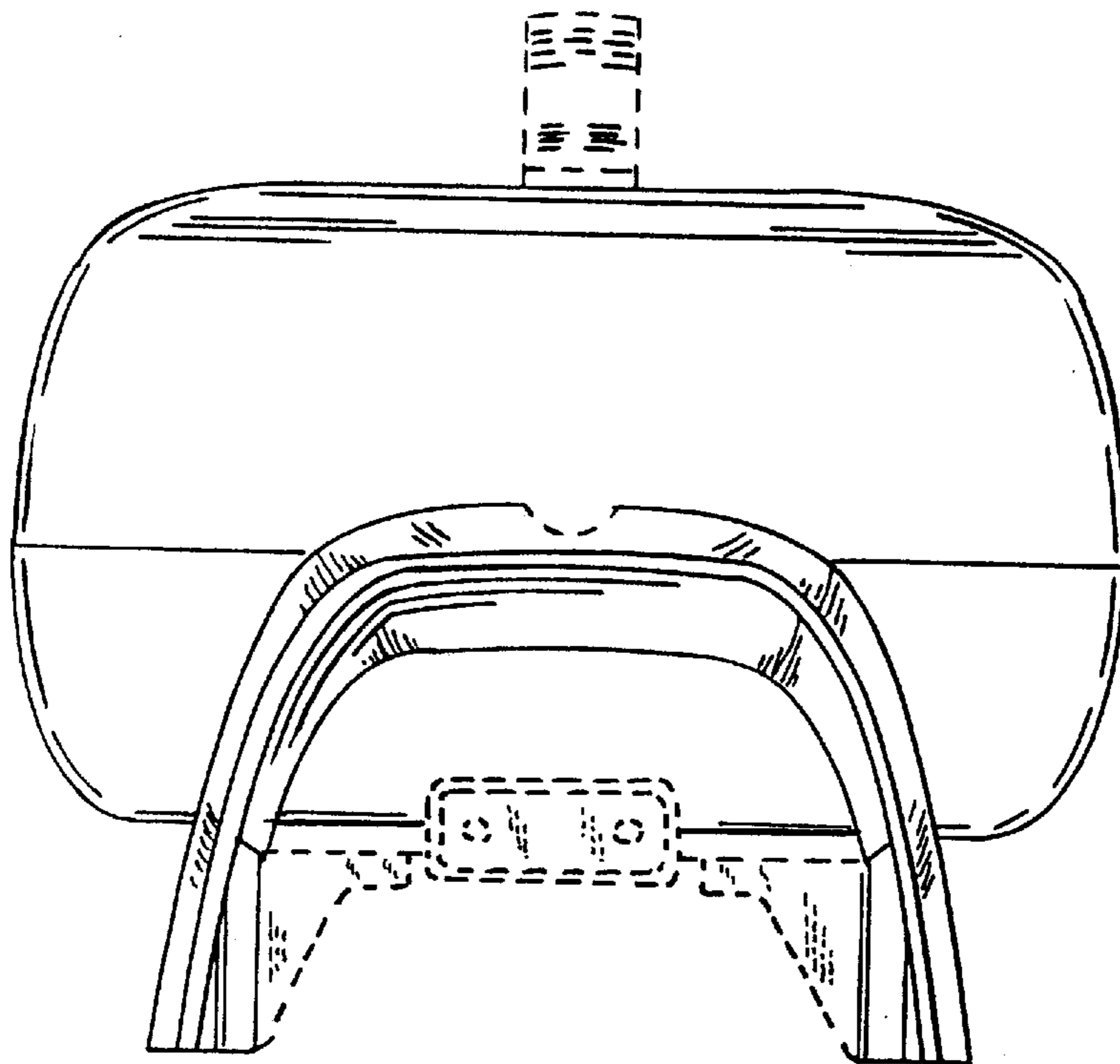


Fig 5

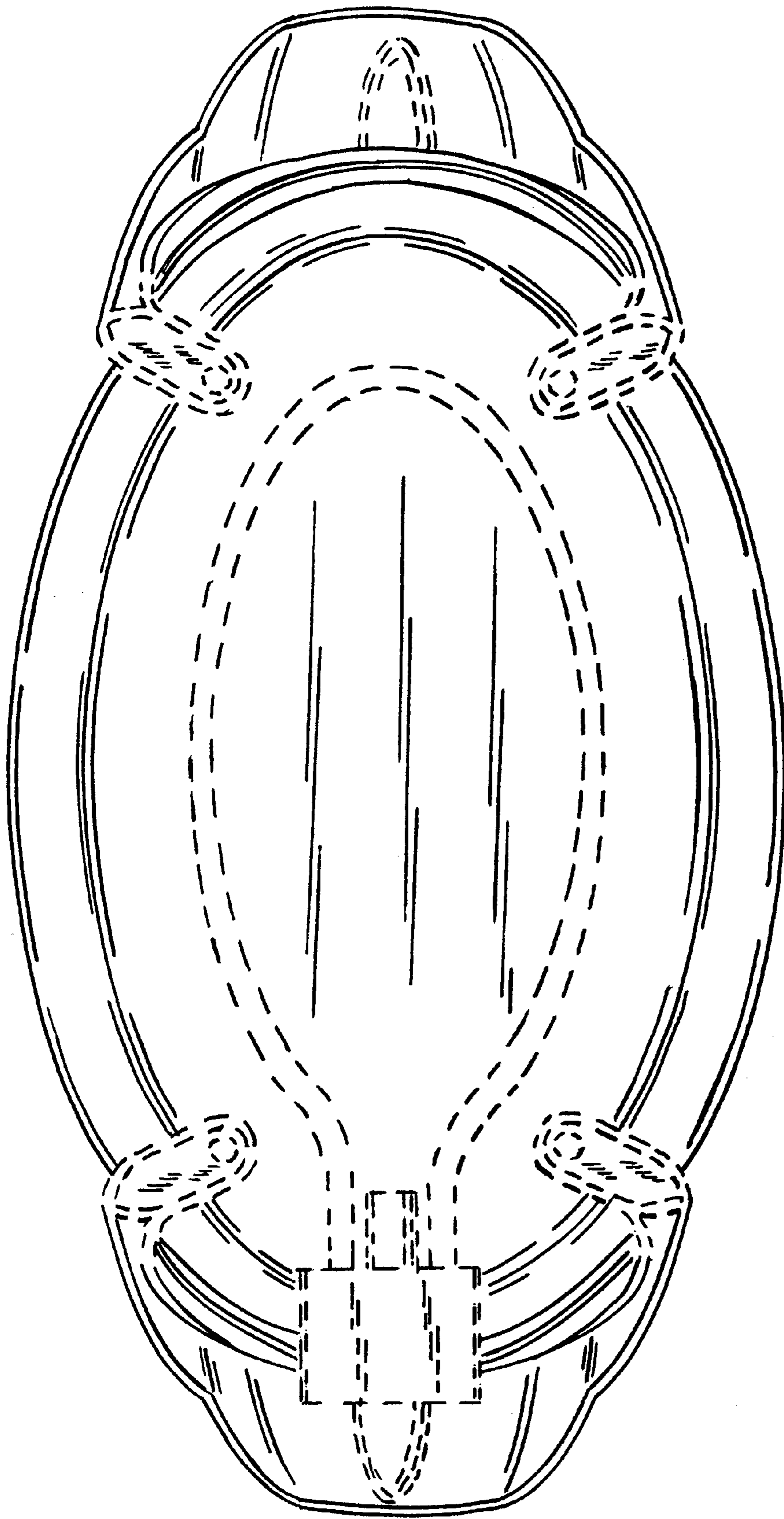


Fig. 6