



US00D444341S

(12) **United States Design Patent**
Shine et al.

(10) **Patent No.:** **US D444,341 S**

(45) **Date of Patent:** **** Jul. 3, 2001**

(54) **TOASTER**

(75) Inventors: **Vincent Shine**, Chicago; **Peter Langmar**, *deceased*, late of Chicago, by Laura Ferrario, executrix; **Mark Slaven**; **Bart Masee**, both of Chicago, all of IL (US)

(73) Assignee: **The Rival Company**, Kansas City, MO (US)

4,878,423	11/1989	Birkert et al.	99/332
5,018,437	5/1991	San Juan	99/327
5,072,662	12/1991	Yip	99/327
5,085,136	2/1992	Eisenberg	99/391
5,095,814	3/1992	Ott et al.	99/391
5,598,765	2/1997	Yip	99/327
5,647,270	7/1997	Rousseau et al.	99/327
5,664,483	9/1997	Yip	99/391
5,746,115	5/1998	Yip	99/339
5,771,780	6/1998	Basora et al.	99/327

(**) Term: **14 Years**

(21) Appl. No.: **29/098,536**

(22) Filed: **Dec. 30, 1998**

(51) **LOC (7) Cl.** **07-02**

(52) **U.S. Cl.** **D7/330**

(58) **Field of Search** D7/323, 328-330;
99/372, 385, 389

(56) **References Cited**

U.S. PATENT DOCUMENTS

D. 276,121	*	10/1984	Kalloch et al.	D7/330
D. 383,352	*	9/1997	Powel	D7/330
3,869,970		3/1975	Eagle	99/329 R
4,285,272		8/1981	Klijnstra	99/391
4,320,698		3/1982	Mugge	99/334

* cited by examiner

Primary Examiner—Caron D. Veynar

(74) *Attorney, Agent, or Firm*—Brinks Hofer Gilson & Lione

(57) **CLAIM**

The ornamental design for a toaster, as shown and described.

DESCRIPTION

FIG. 1 is a perspective view of a toaster showing our new design;

FIG. 2 is a front view thereof;

FIG. 3 is a top view thereof; and,

FIG. 4 is a left side view thereof, which is similar to a right side view.

The bottom and rear sides are plain and unornamented.

1 Claim, 2 Drawing Sheets

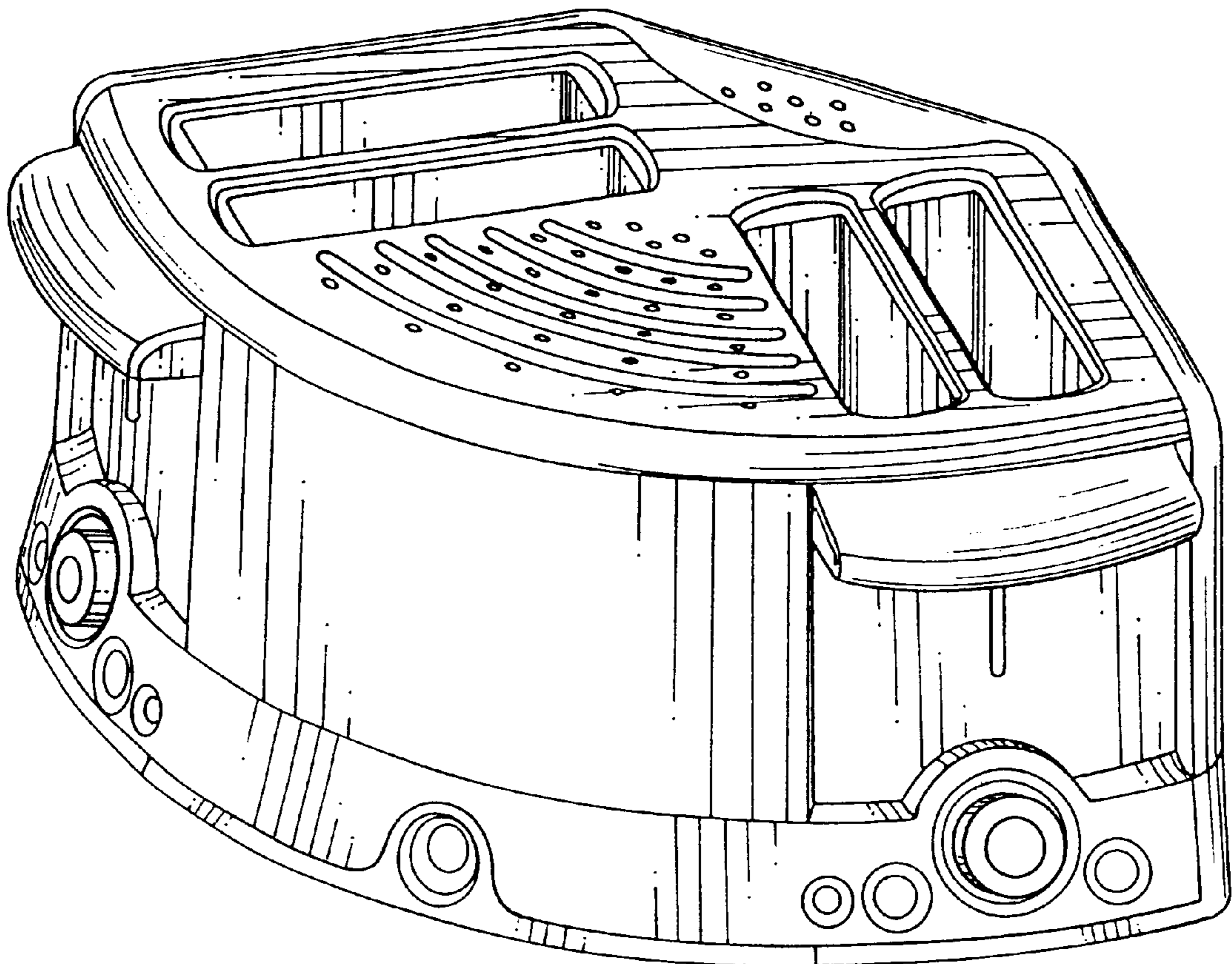


Fig. 1

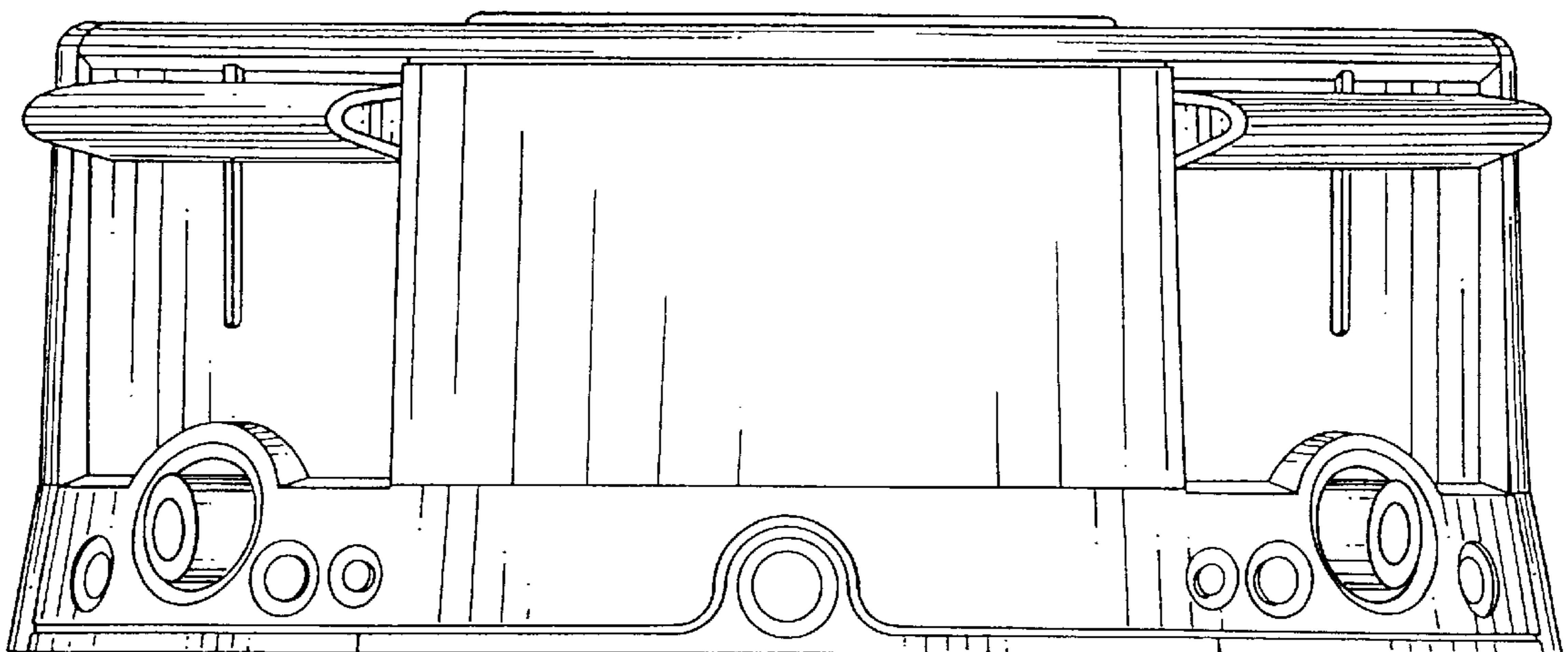
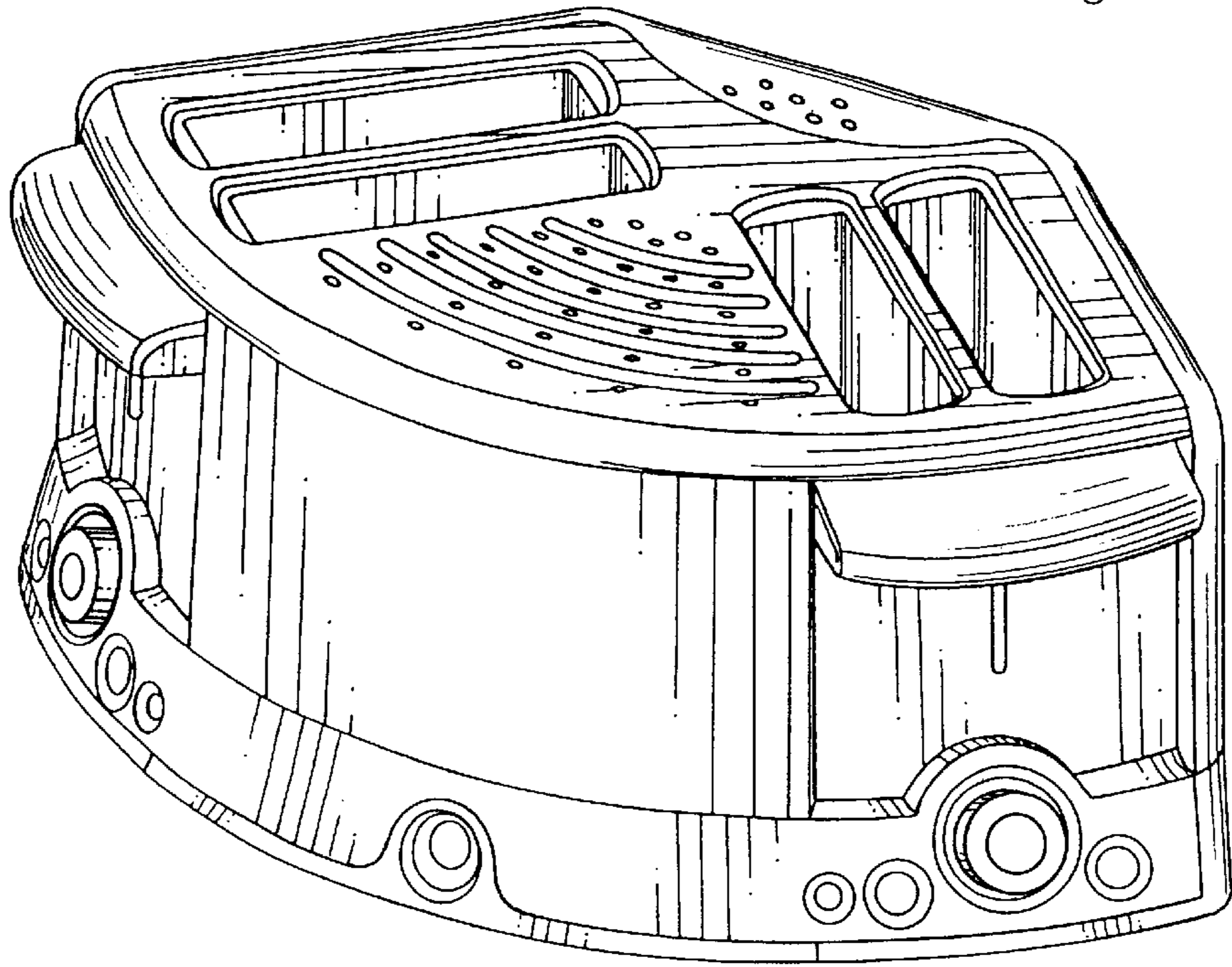


Fig. 2

Fig. 3

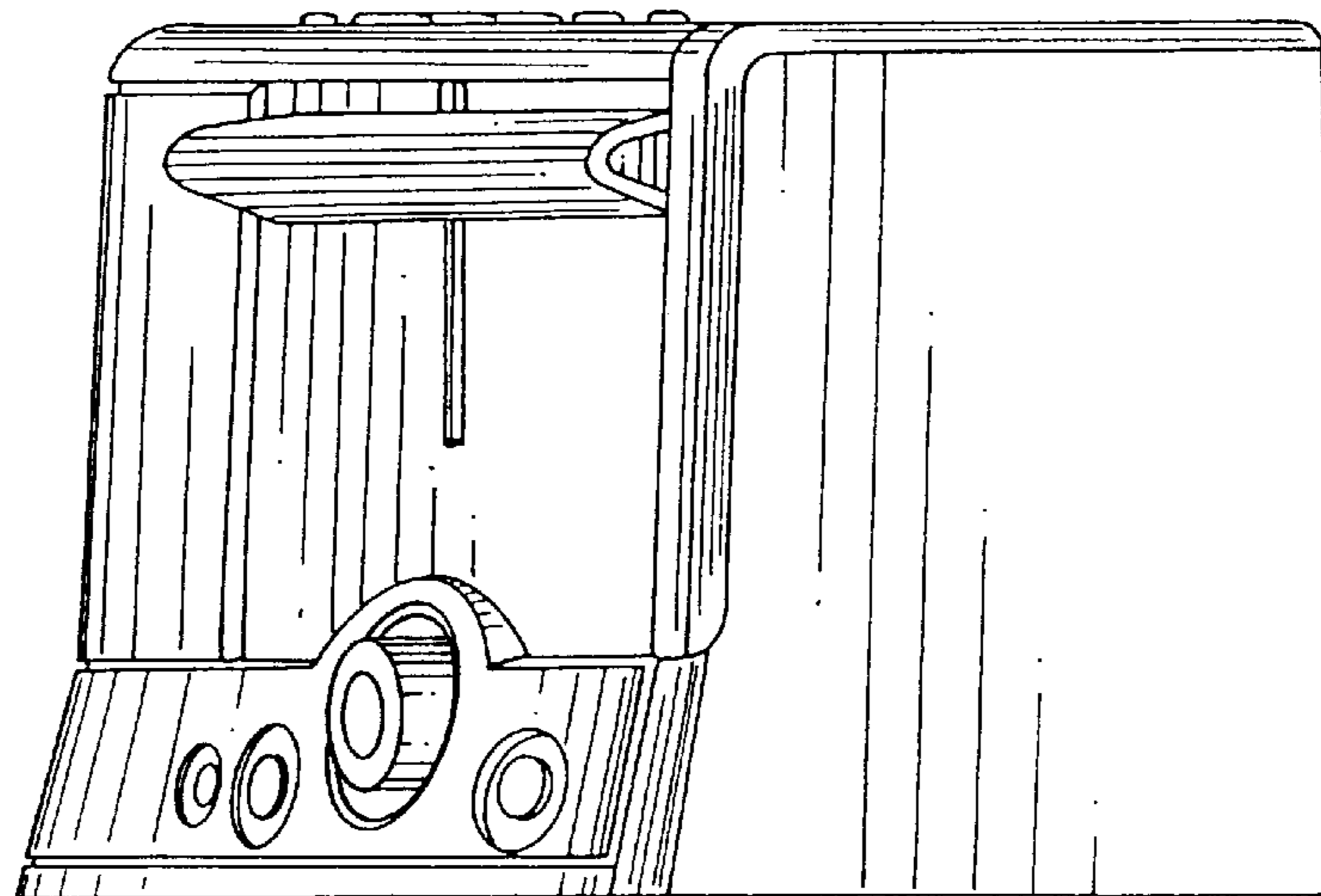
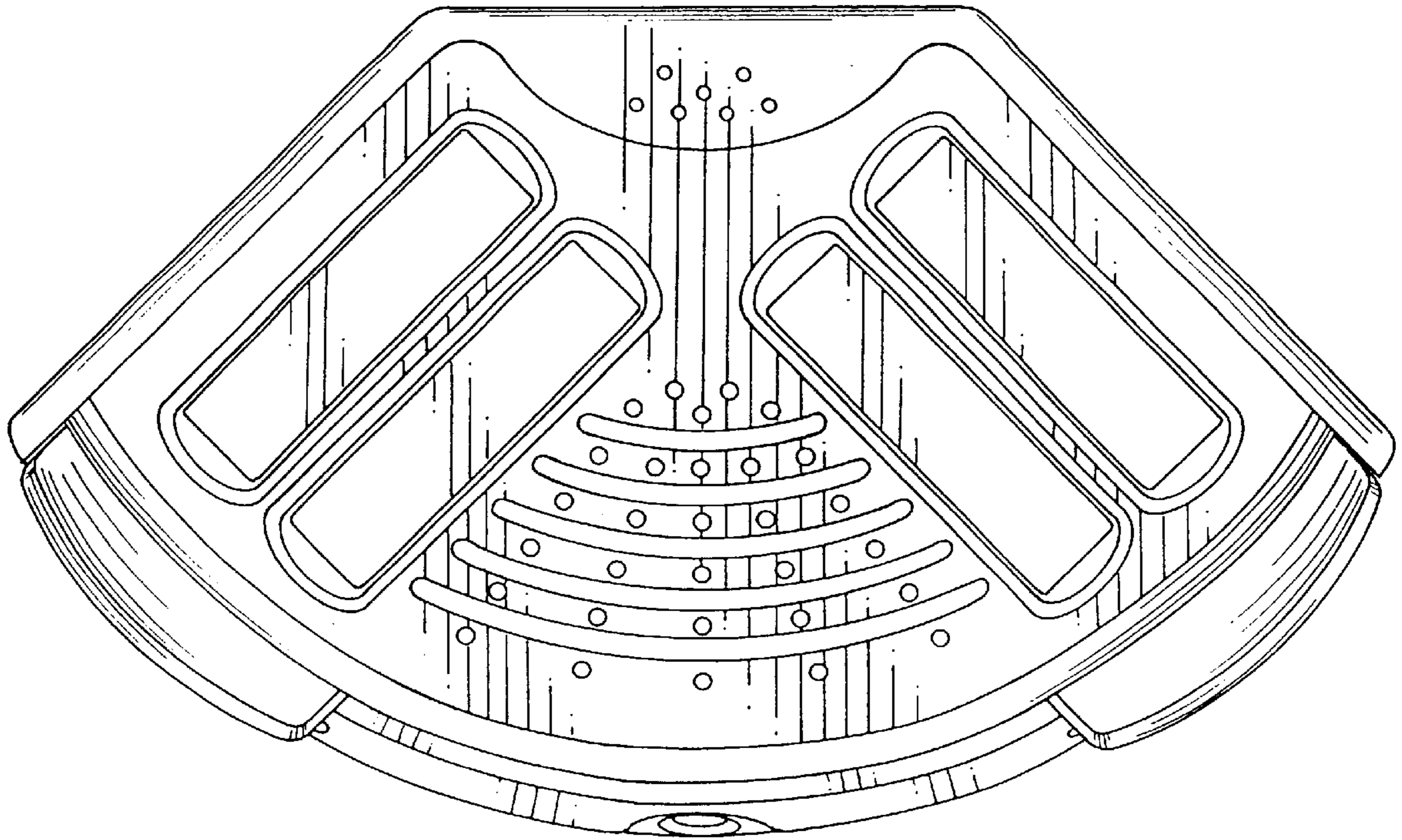


Fig. 4