



US00D444336S

(12) **United States Design Patent**
Hsu

(10) **Patent No.:** **US D444,336 S**

(45) **Date of Patent:** **** Jul. 3, 2001**

(54) **COFFEE MAKER**

(75) **Inventor:** **Tony Hsu, Tainan Hsien (TW)**

(73) **Assignee:** **Lundar Electric Industrial Co., Ltd.,
Tainan Hsien (TW)**

(**) **Term:** **14 Years**

(21) **Appl. No.:** **29/134,744**

(22) **Filed:** **Dec. 29, 2000**

(51) **LOC (7) Cl.** **07-01**

(52) **U.S. Cl.** **D7/309; D7/310; D7/311**

(58) **Field of Search** **D7/300, 306, 309,
D7/310, 311; 99/299, 295, 279, 293, 304,
306**

(56) **References Cited**

U.S. PATENT DOCUMENTS

- D. 366,385 * 1/1996 Anghii et al. D7/309
- D. 378,559 * 3/1997 Gudfin D7/309
- D. 382,438 * 8/1997 Figur et al. D7/309

- D. 397,904 * 9/1998 Longhi D7/309
- D. 408,681 * 4/1999 Lin D7/309
- D. 414,647 * 10/1999 Driscoll et al. D7/309
- 4,760,774 * 8/1988 Lin 99/299

* cited by examiner

Primary Examiner—M. N. Pandozzi

(74) *Attorney, Agent, or Firm*—Rosenberg, Klein & Lee

(57) **CLAIM**

The ornamental design for a coffee maker, as shown and described.

DESCRIPTION

FIG. 1 is a perspective view of a coffee maker showing my present design.

FIG. 2 is a front view thereof;

FIG. 3 is a rear view thereof;

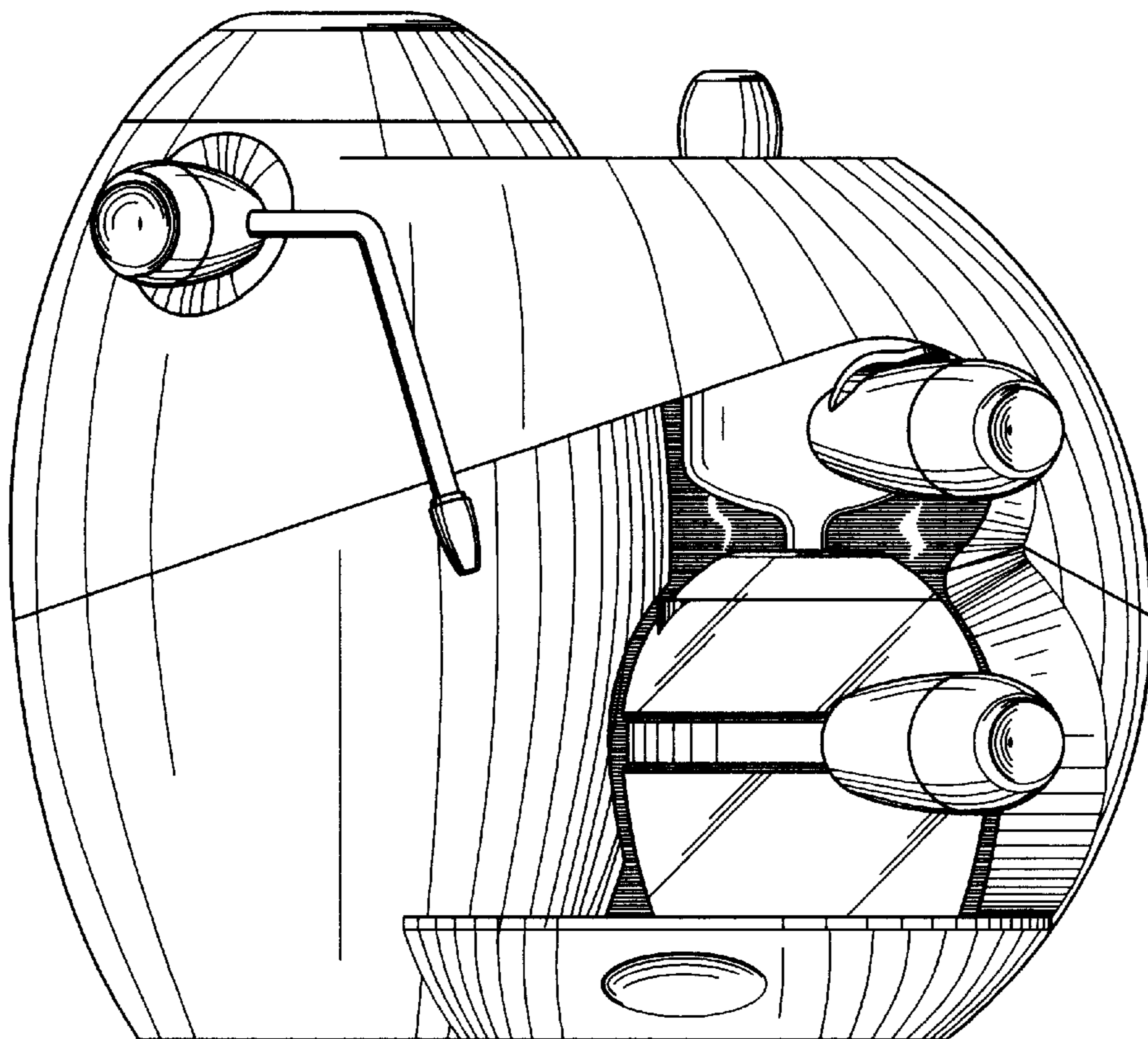
FIG. 4 is a left view thereof;

FIG. 5 is a right view thereof;

FIG. 6 is a top plan view thereof; and,

FIG. 7 is a bottom plan view.

1 Claim, 4 Drawing Sheets



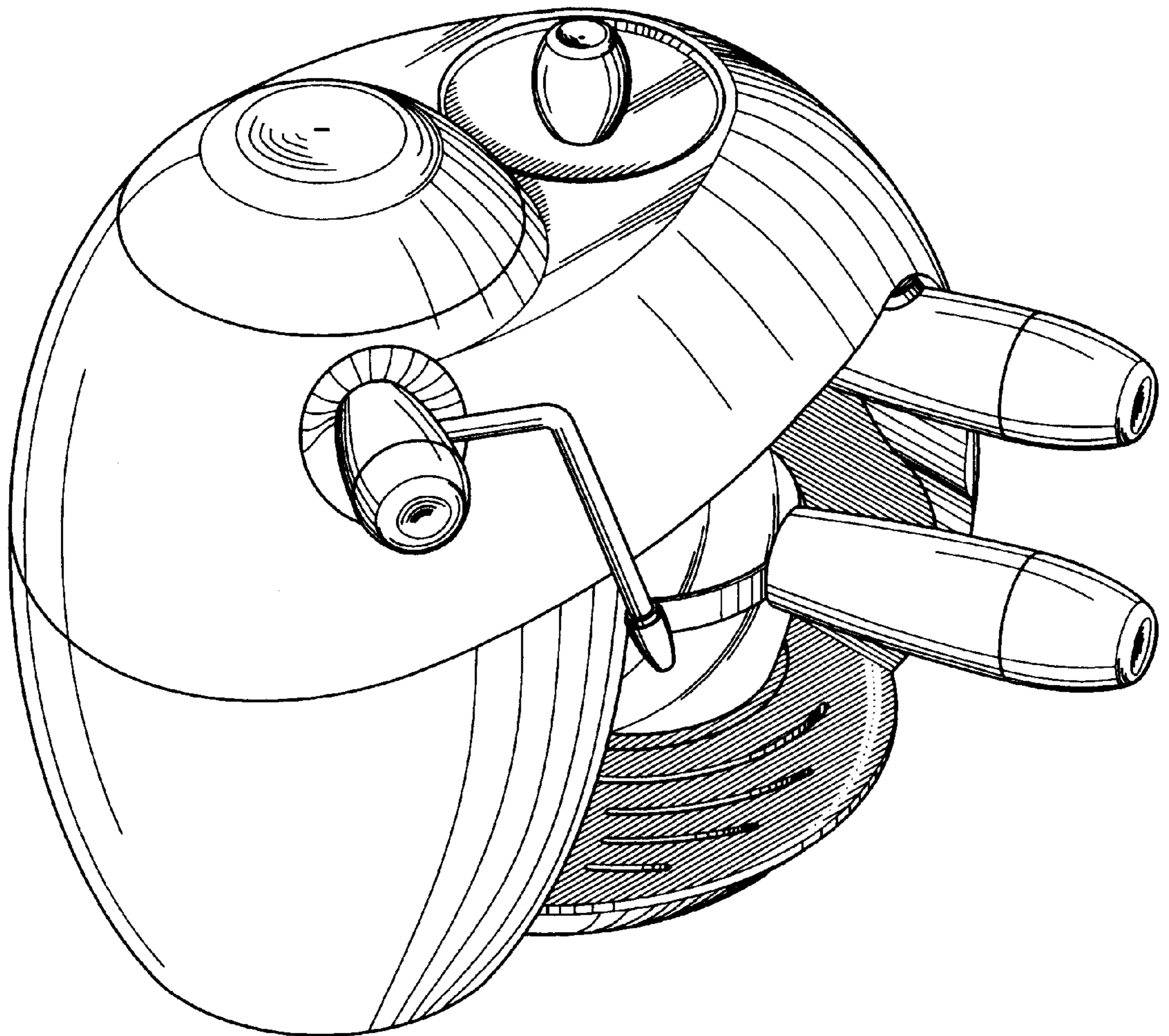


FIG. 1

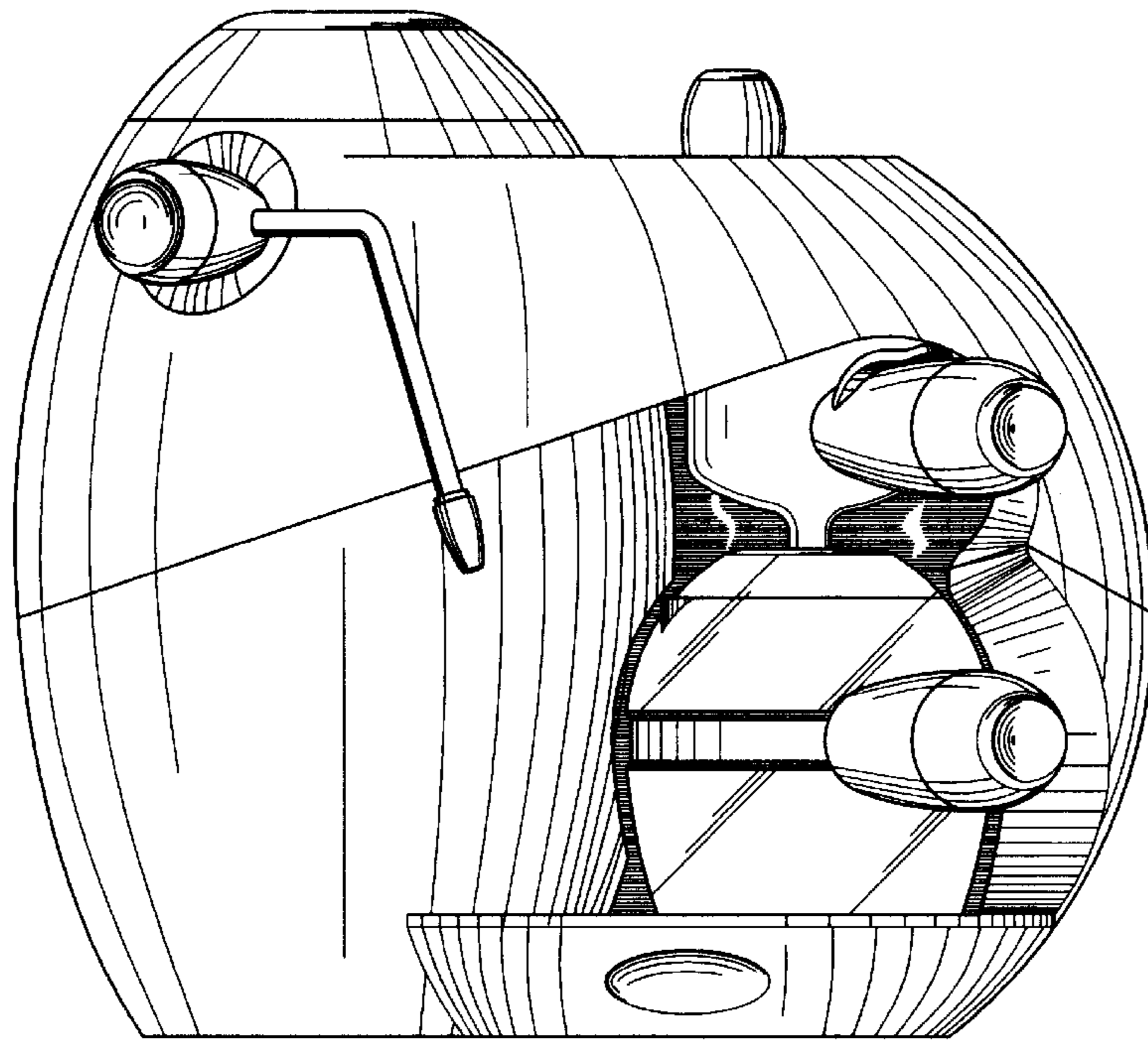


FIG. 2

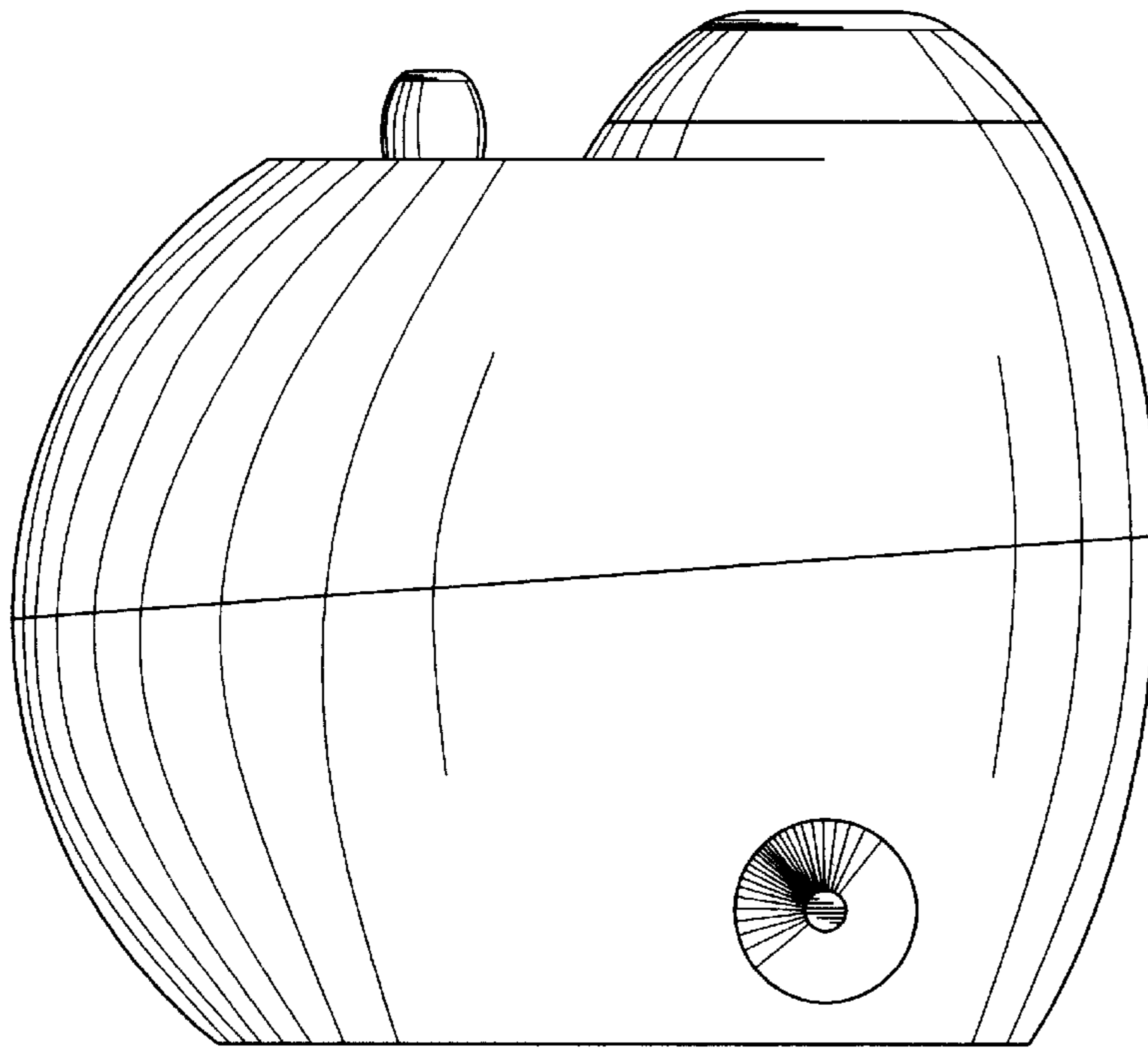


FIG. 3

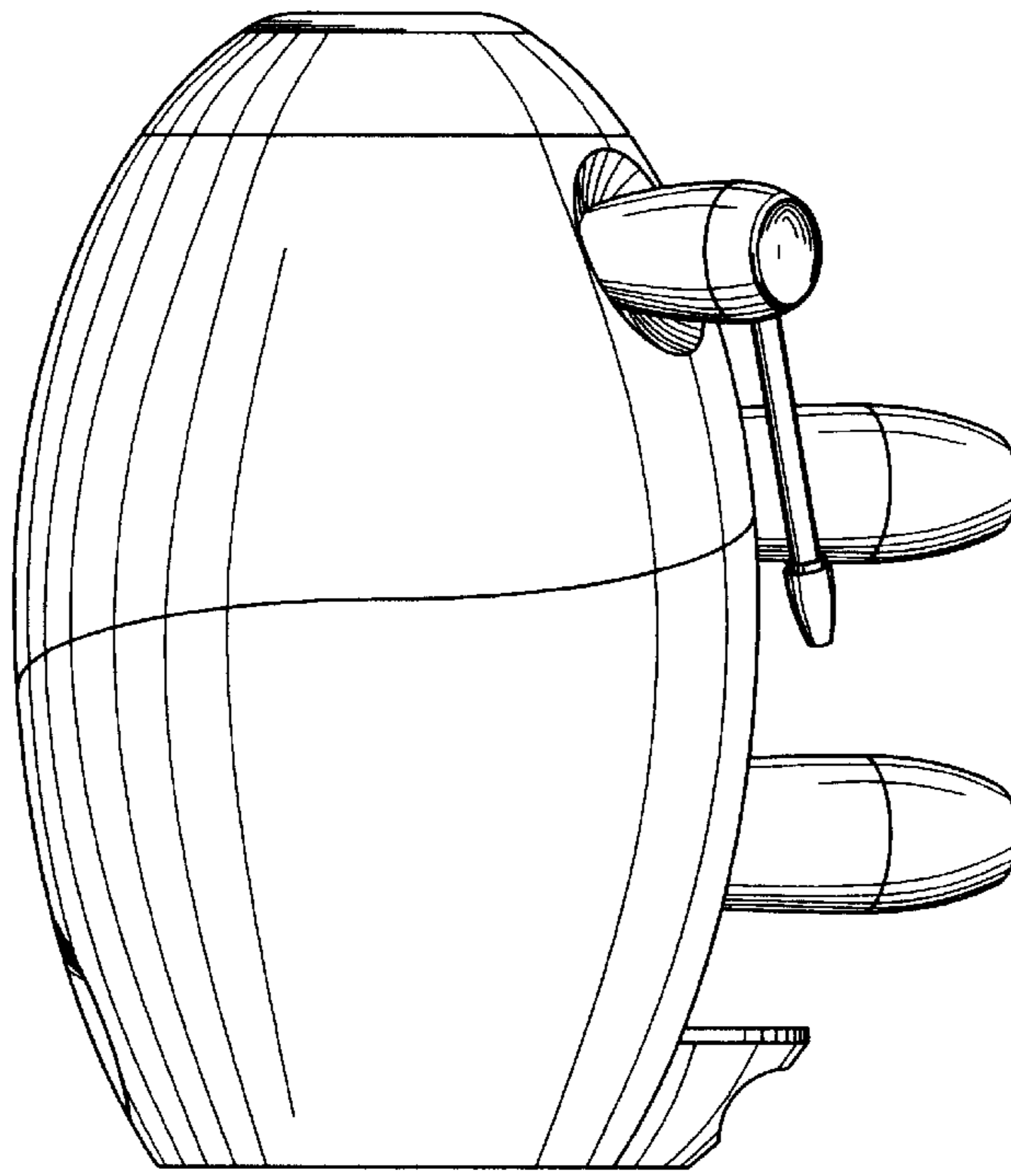


FIG. 4

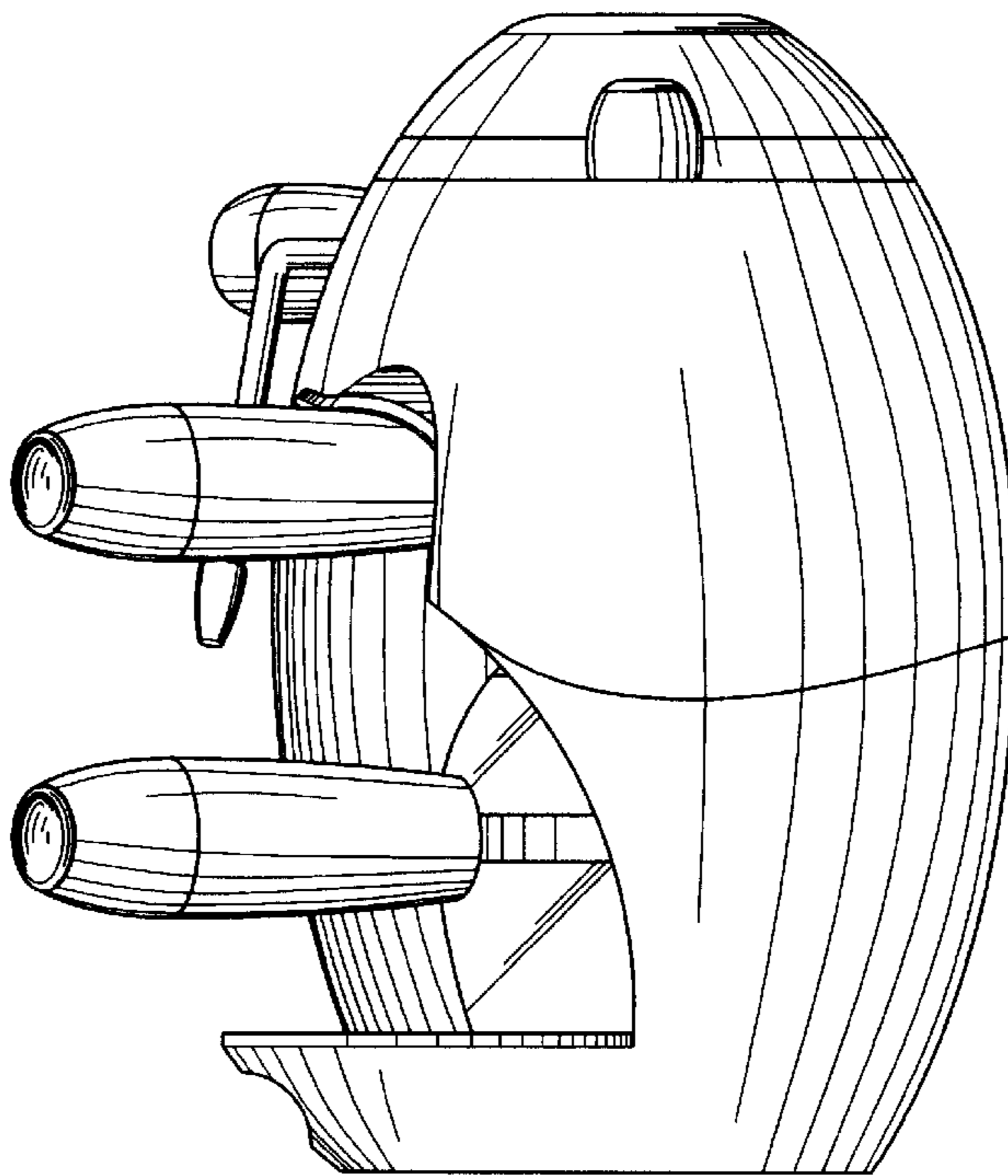


FIG. 5

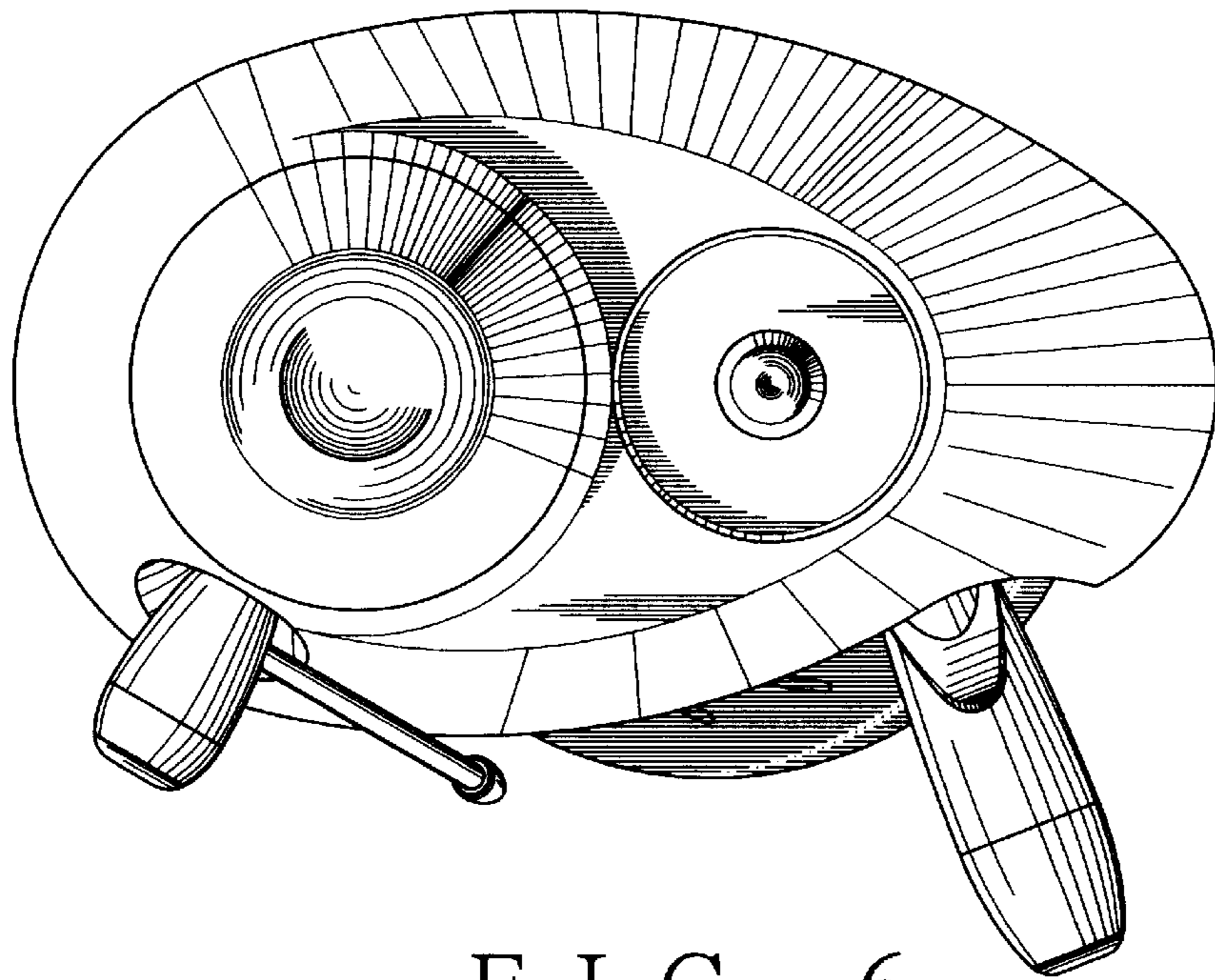


FIG. 6

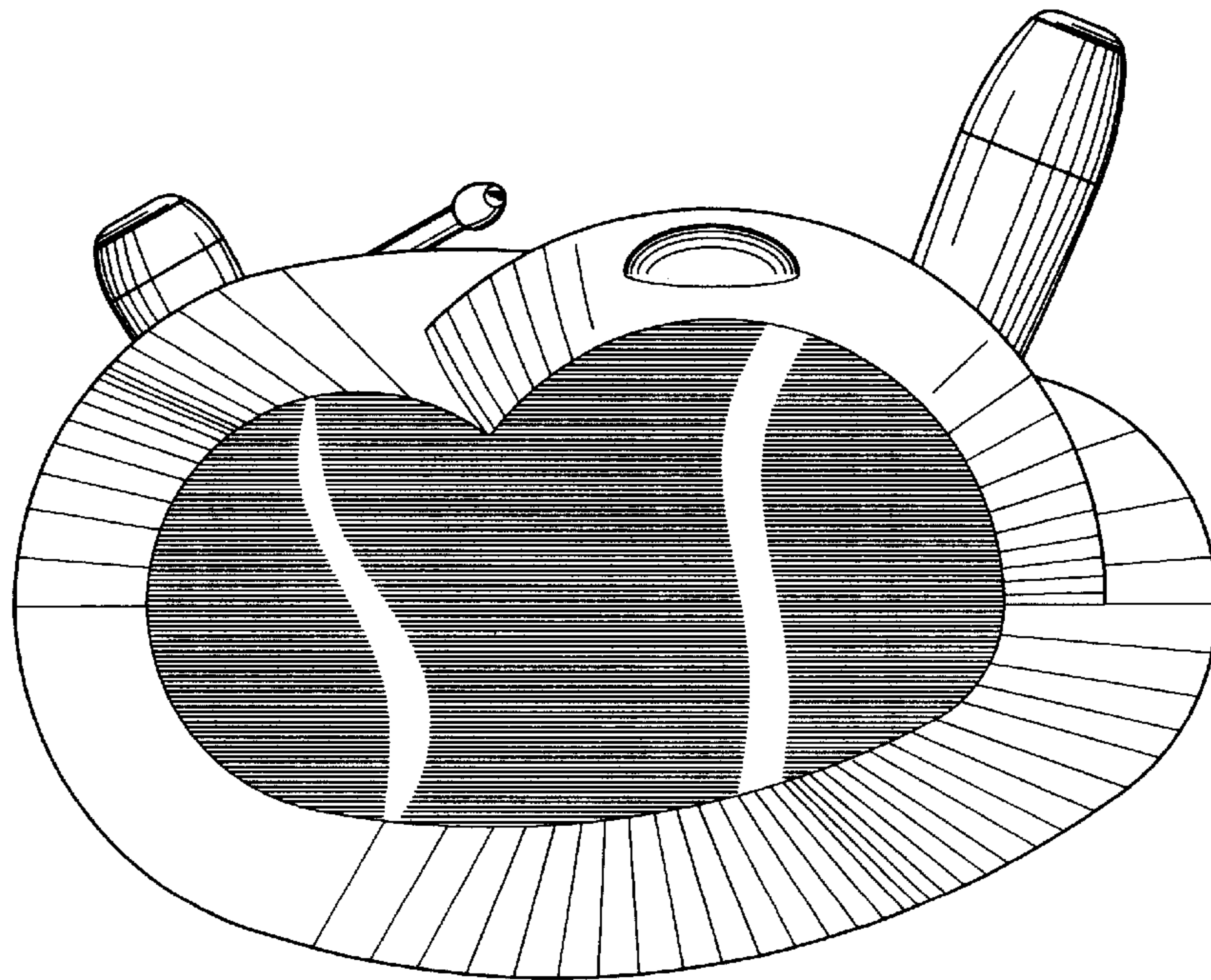


FIG. 7