



US00D444335S

(12) **United States Design Patent**
Stravitz

(10) **Patent No.:** **US D444,335 S**

(45) **Date of Patent:** **** Jul. 3, 2001**

(54) **ORGANIZER WITH DRAWERS**

(76) **Inventor:** **David M. Stravitz**, 16 Park Ave. -
Suite 14A, New York, NY (US) 10016

(**) **Term:** **14 Years**

(21) **Appl. No.:** **29/124,103**

(22) **Filed:** **May 31, 2000**

(51) **LOC (7) Cl.** **06-04**

(52) **U.S. Cl.** **D6/560**

(58) **Field of Search** D6/553, 559, 560,
D6/561, 512, 515, 432, 436, 467; 312/242,
245, 107, 114, 126, 128

(56) **References Cited**

U.S. PATENT DOCUMENTS

- D. 259,980 * 7/1981 Magistretti D6/559
- D. 301,100 * 5/1989 Lee D6/560
- D. 317,015 * 5/1991 Bankier D6/436 X
- D. 326,378 * 5/1992 Yunger et al. D6/467
- D. 364,064 * 11/1995 Lorenz D6/559

D. 421,863 * 3/2000 Tetreault et al. D6/515

* cited by examiner

Primary Examiner—Brian N. Vinson

(74) *Attorney, Agent, or Firm*—Frishauf, Holtz, Goodman,
Langer & Chick, P.C.

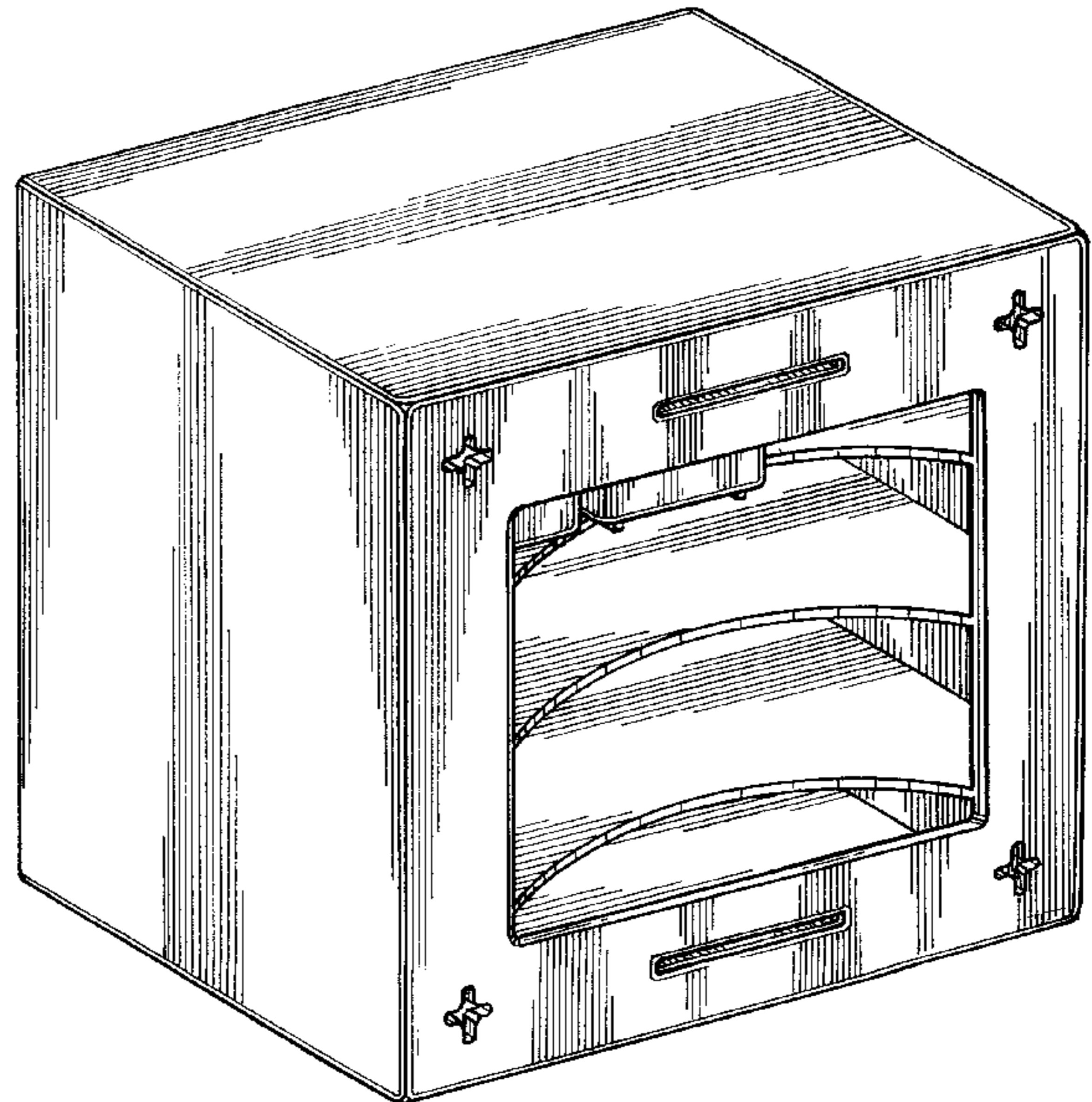
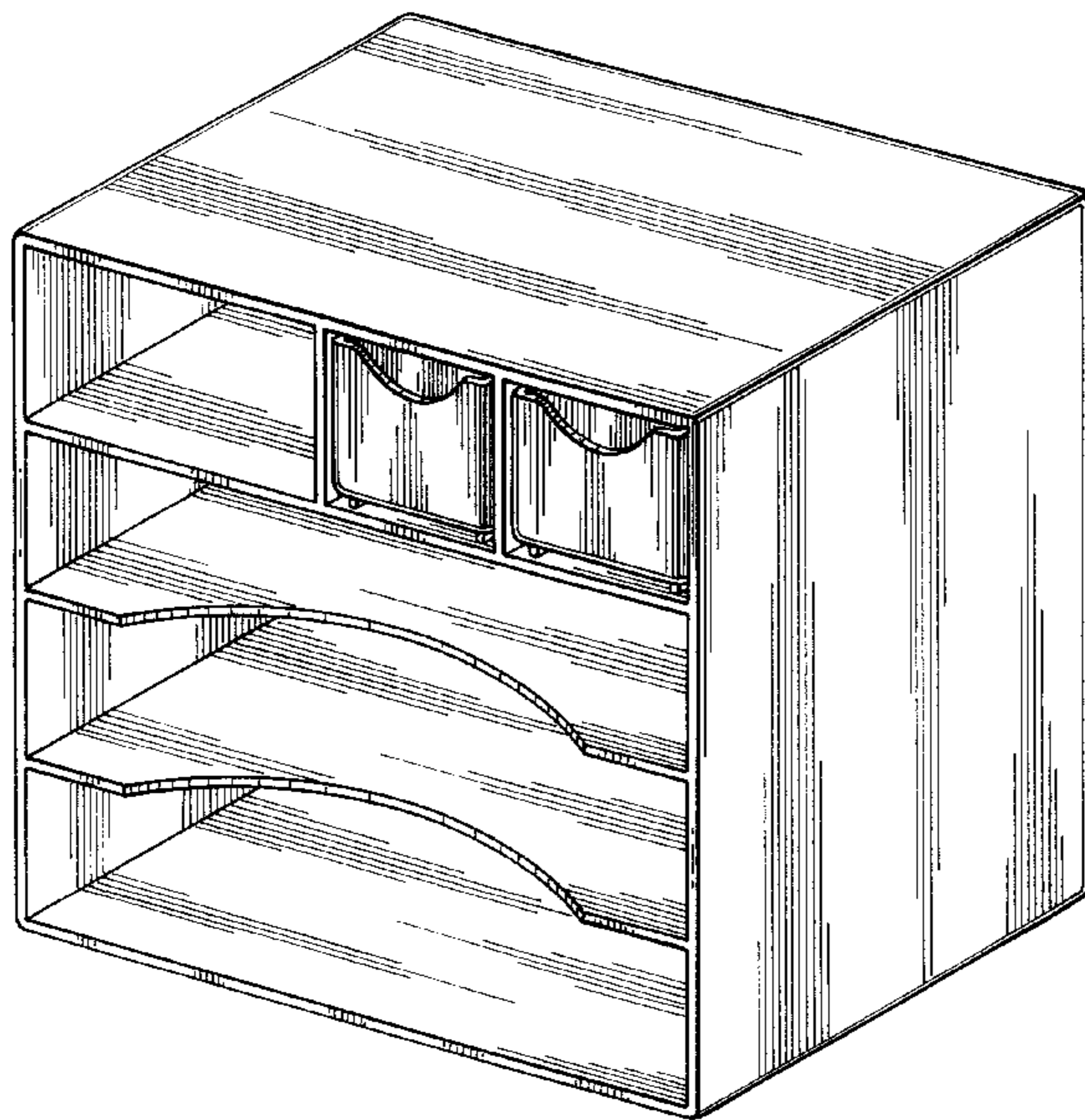
(57) **CLAIM**

The ornamental design for an organizer with drawers, as shown and described.

DESCRIPTION

FIG. 1 is a top, front, right-side perspective view of an organizer with drawers showing my new design; FIG. 2 is a front elevational view thereof; FIG. 3 is a left-side elevational view, the right side elevational view being a mirror image thereof; FIG. 4 is a rear elevational view thereof; FIG. 5 is a top plan view, the bottom plan view being a mirror image thereof; and, FIG. 6 is a top, rear, right-side perspective view thereof.

1 Claim, 3 Drawing Sheets



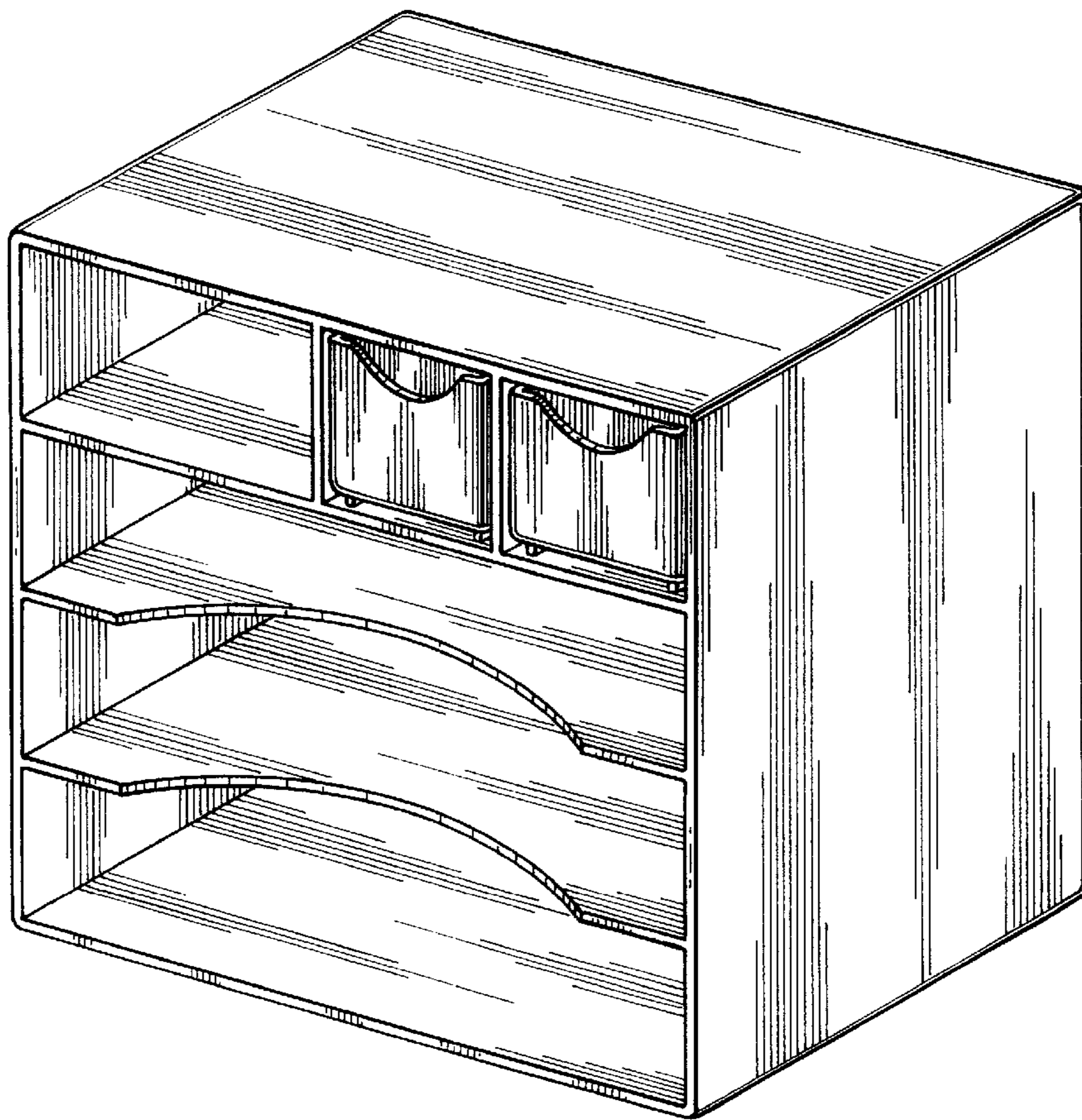


Fig. 1

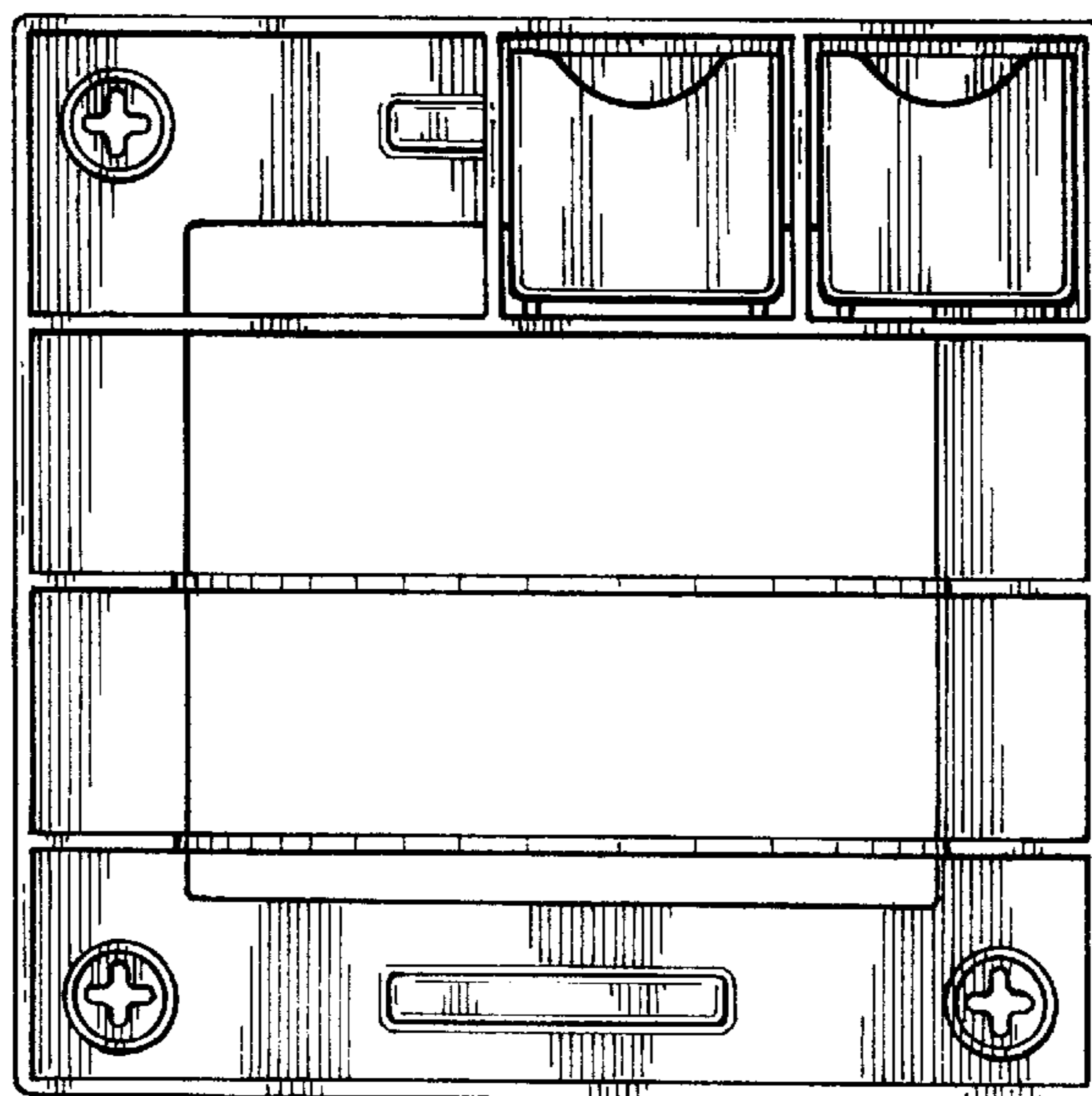


Fig. 2

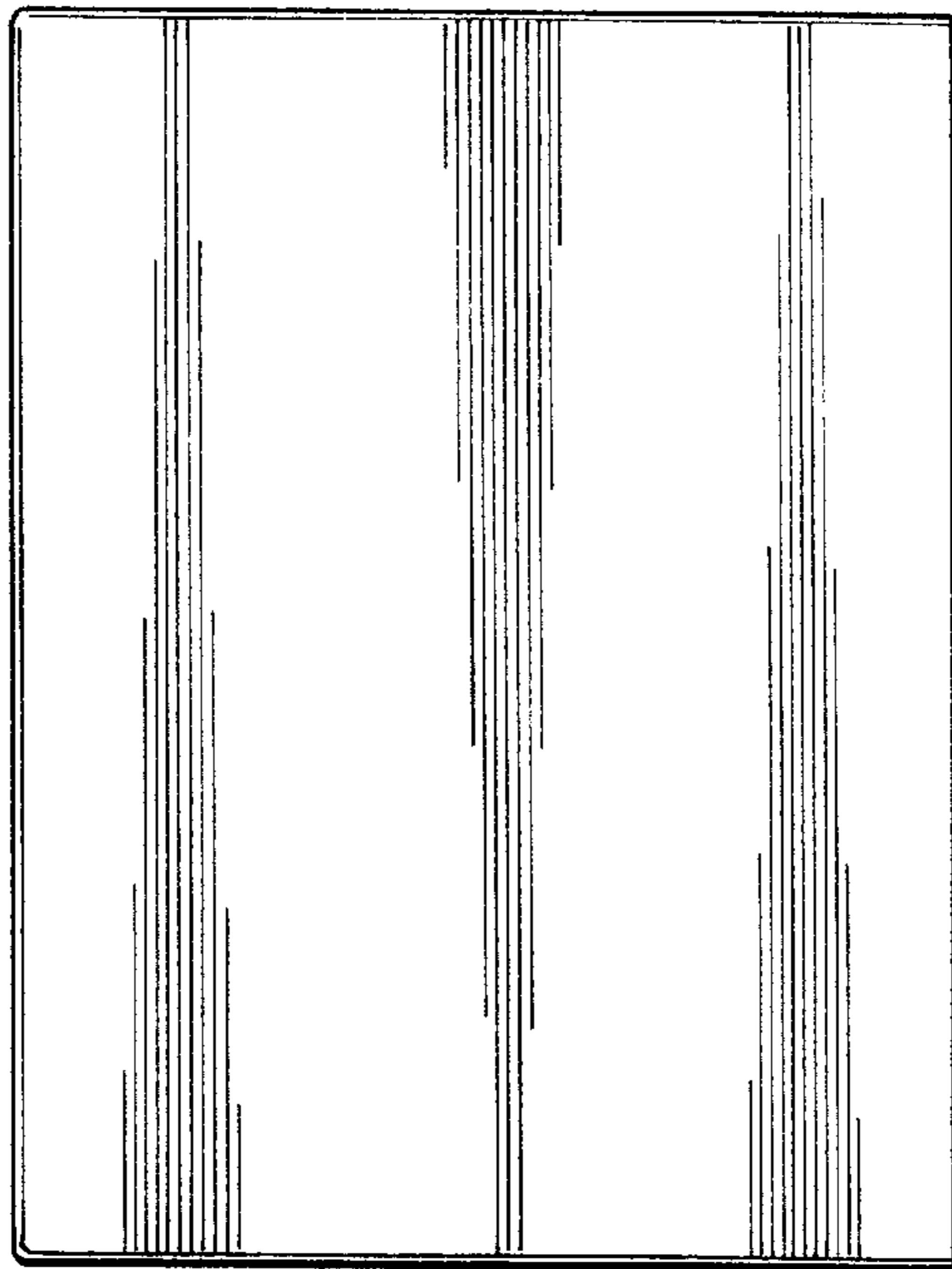


Fig. 3

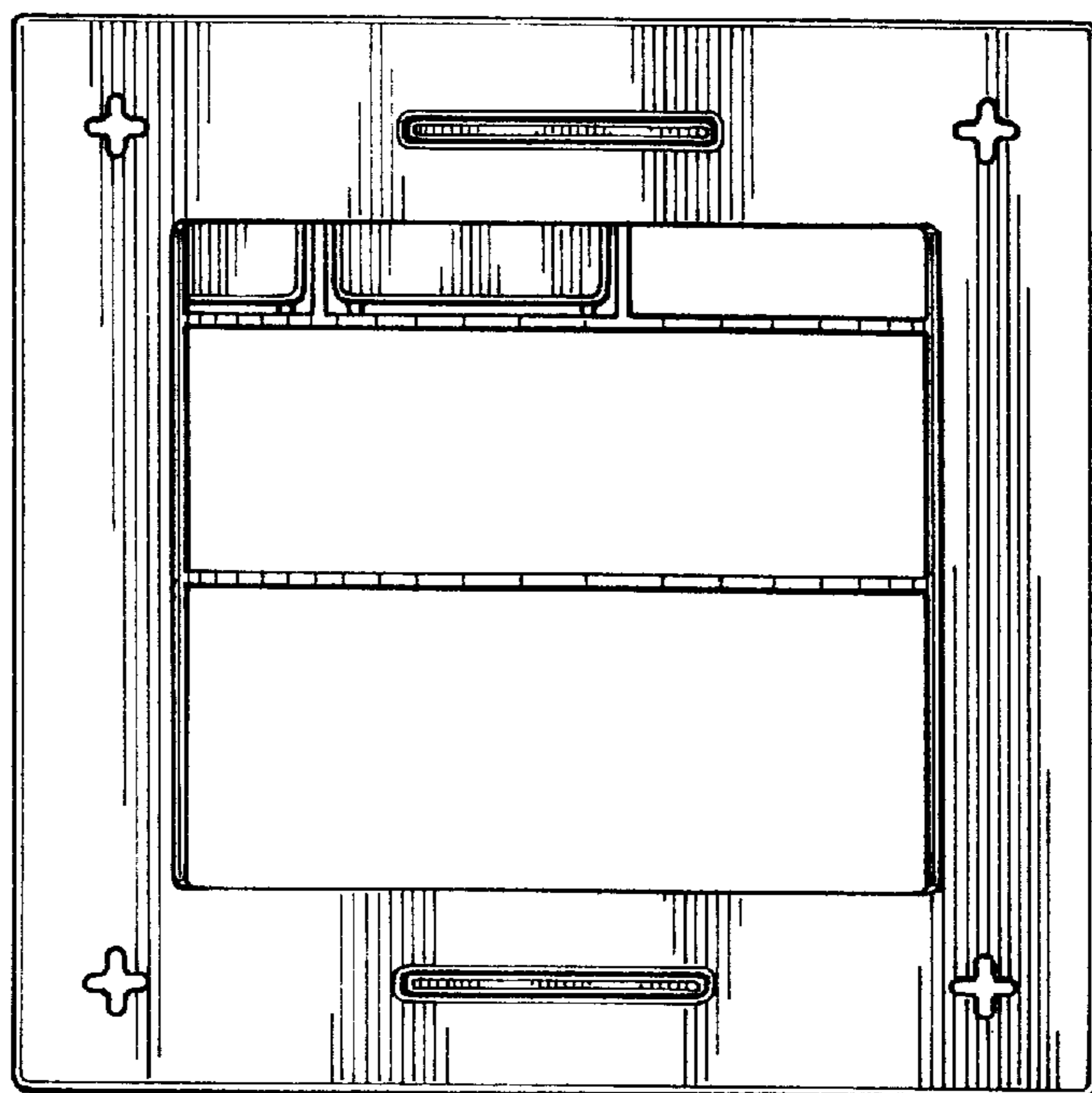


Fig. 4

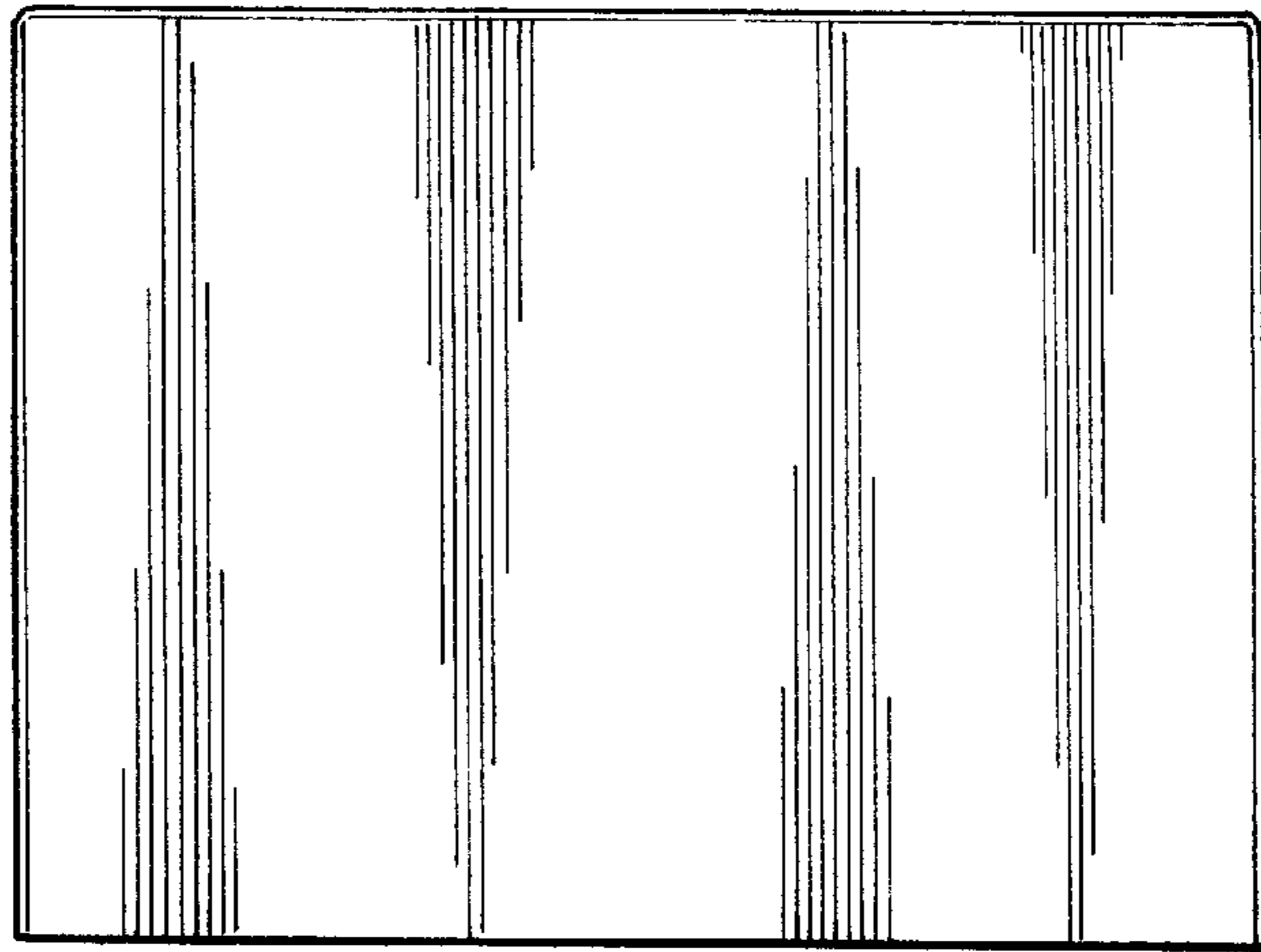


Fig. 5

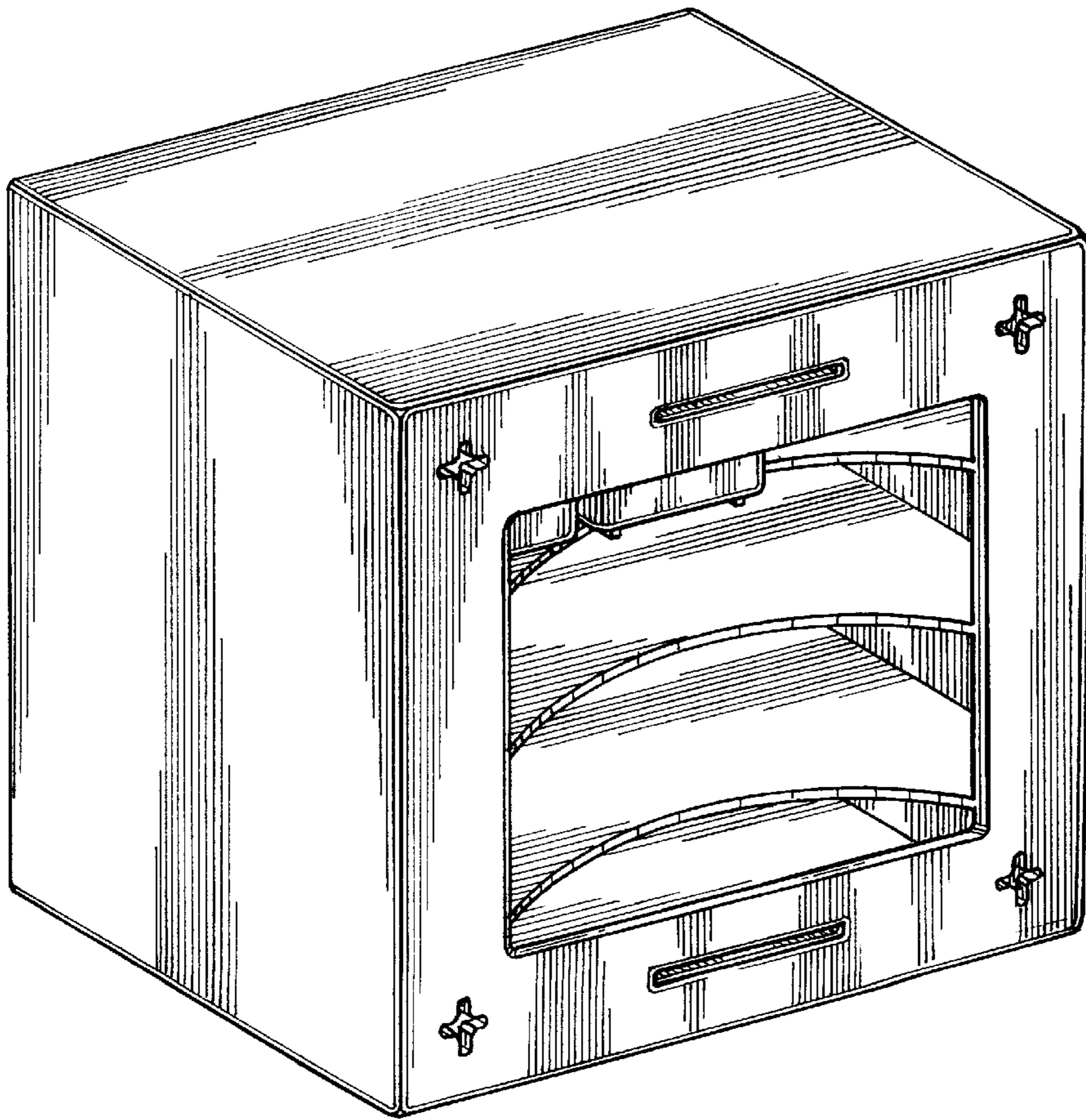


Fig. 6