



US00D444332S

(12) **United States Design Patent**
Zemke, Jr. et al.

(10) **Patent No.:** **US D444,332 S**

(45) **Date of Patent:** **** Jul. 3, 2001**

(54) **SLIDABLE SHELF**

(75) Inventors: **William Louis Zemke, Jr.**, Forest Lake; **Joseph P. Kirchberg**, Rush City, both of MN (US)

(73) Assignee: **Westerlund Products Corporation**, Minnetonka, MN (US)

(**) Term: **14 Years**

(21) Appl. No.: **29/121,250**

(22) Filed: **Apr. 4, 2000**

(51) **LOC (7) Cl.** **06-04**

(52) **U.S. Cl.** **D6/511**

(58) **Field of Search** D6/509-511, 491, D6/492, 494, 495, 486; D25/19, 120, 119-125; 108/59, 61, 64, 67, 73, 102, 179, 143, 147.11, 147.19; 138/118; 160/214, 99; 211/90.01, 90.02, 134, 153, 149, 187, 175; 248/241, 244, 235; 52/284, 285.1, 653.2, 651.11

4,036,369 7/1977 Eisenberg .
 4,106,735 8/1978 Partain et al. .
 4,155,312 5/1979 Thorkildson .
 4,192,562 3/1980 Bishoff et al. .
 4,470,647 9/1984 Bishoff et al. .
 4,478,337 10/1984 Flum .
 4,535,896 8/1985 Evenson .
 4,553,523 11/1985 Stohrer, Jr. 126/9 B
 4,583,359 * 4/1986 Staeger 52/653.2
 4,696,406 9/1987 Karashima et al. .
 4,723,665 2/1988 Benedict et al. .
 4,938,365 7/1990 Conway et al. .
 5,277,512 * 1/1994 Dwillies 403/348
 5,295,596 3/1994 Squitieri .
 5,423,597 6/1995 Rogers .
 5,553,824 9/1996 Dutra, Jr. 238/346.07
 5,586,666 12/1996 Squitieri .
 5,605,238 2/1997 Jacobs .
 5,762,208 6/1998 Yeh 211/40
 6,142,321 11/2000 West 211/153

* cited by examiner

Primary Examiner—Prabhakar Deshmukh
(74) *Attorney, Agent, or Firm*—Schwegman, Lundberg, Woessner & Kluth, P.A.

(56) **References Cited**

U.S. PATENT DOCUMENTS

204,237 5/1878 Miller et al. .
 330,380 11/1885 Cregmile .
 D. 342,403 * 12/1993 Magnusson D6/491
 D. 370,423 * 6/1996 Nagai et al. D25/120
 D. 383,926 * 9/1997 Spector D6/495
 D. 386,330 * 11/1997 Russell D6/495
 563,467 7/1896 Farwell .
 622,666 4/1899 Burwell .
 779,262 1/1905 Burke .
 934,148 9/1909 Duff .
 1,682,060 8/1928 Banks .
 2,205,730 6/1940 Morgan .
 2,294,595 9/1942 Dice .
 2,545,844 3/1951 Cougias .
 2,888,305 5/1959 Perry .
 3,362,739 * 1/1968 Staeger et al. 52/285.1
 3,650,588 3/1972 Helland .
 3,836,218 9/1974 Hallal .

(57) **CLAIM**

The ornamental design for a slidable shelf, as shown and described.

DESCRIPTION

FIG. 1 is perspective view of a sliding shelf showing our new design; the broken lines showing of an attached second shelf is for illustrative purpose only and forms no part of the claimed design;

FIG. 2 is a front elevation of the slidable shelf of FIG. 1.

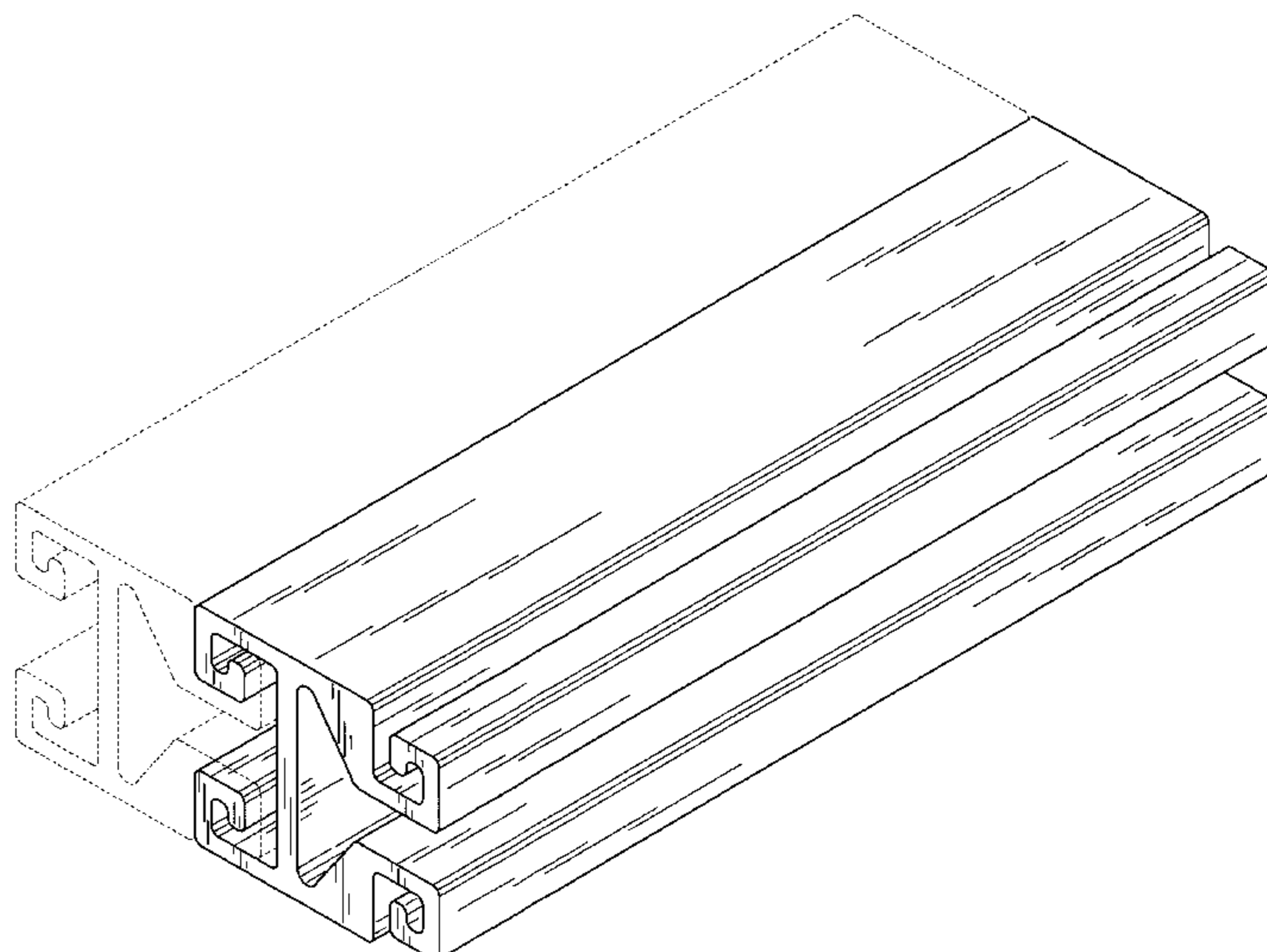
FIG. 3 is a rear elevation of the slidable shelf of FIG. 1.

FIG. 4 is a right-side elevation of the slidable shelf of FIG. 1.

FIG. 5 is a left-side elevation of the slidable shelf of FIG. 1.

FIG. 6 is a top plan of the slidable shelf of FIG. 1; and, FIG. 7 is a bottom plan of the slidable shelf of FIG. 1.

1 Claim, 5 Drawing Sheets



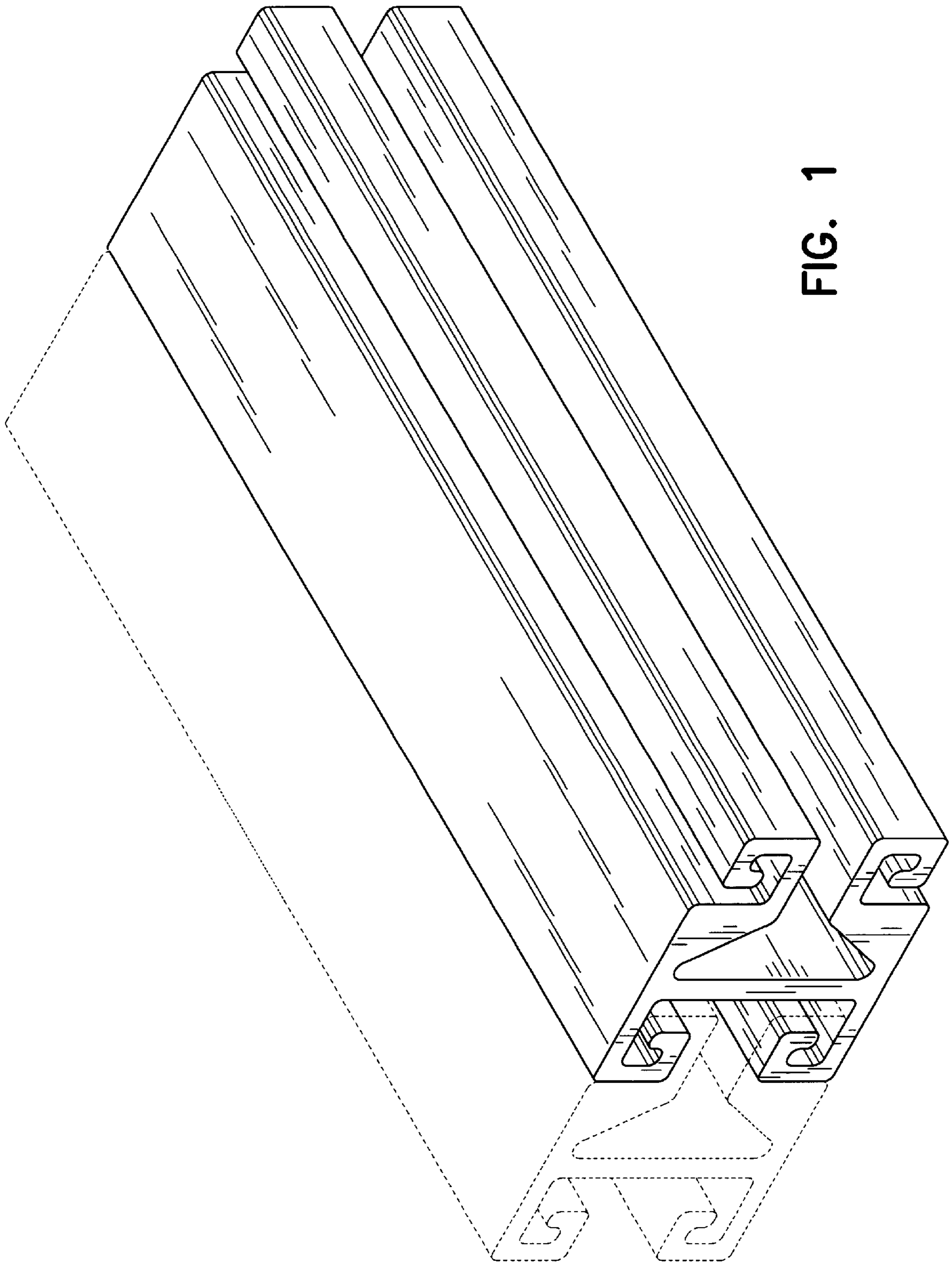


FIG. 1

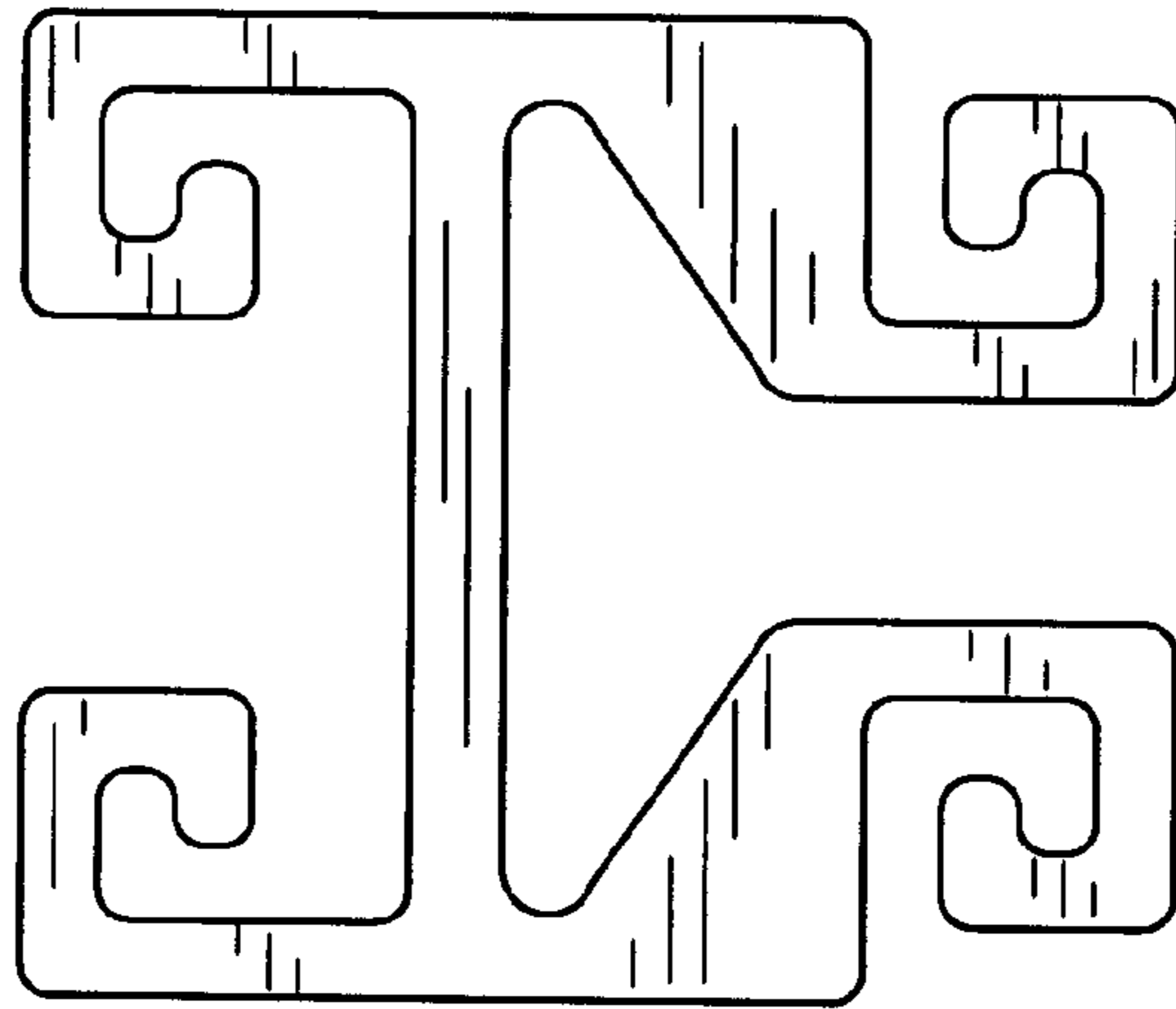


FIG. 2

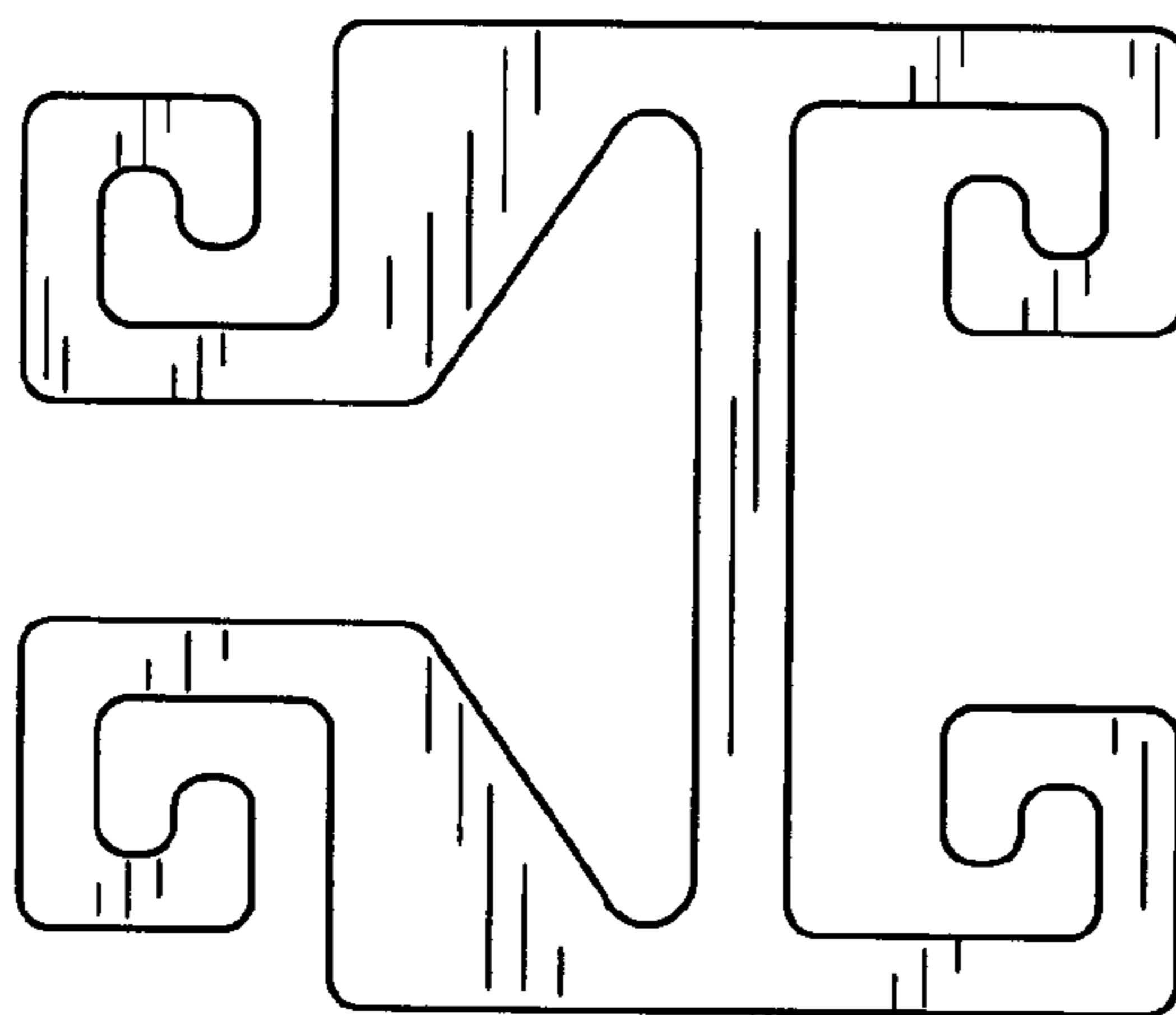


FIG. 3

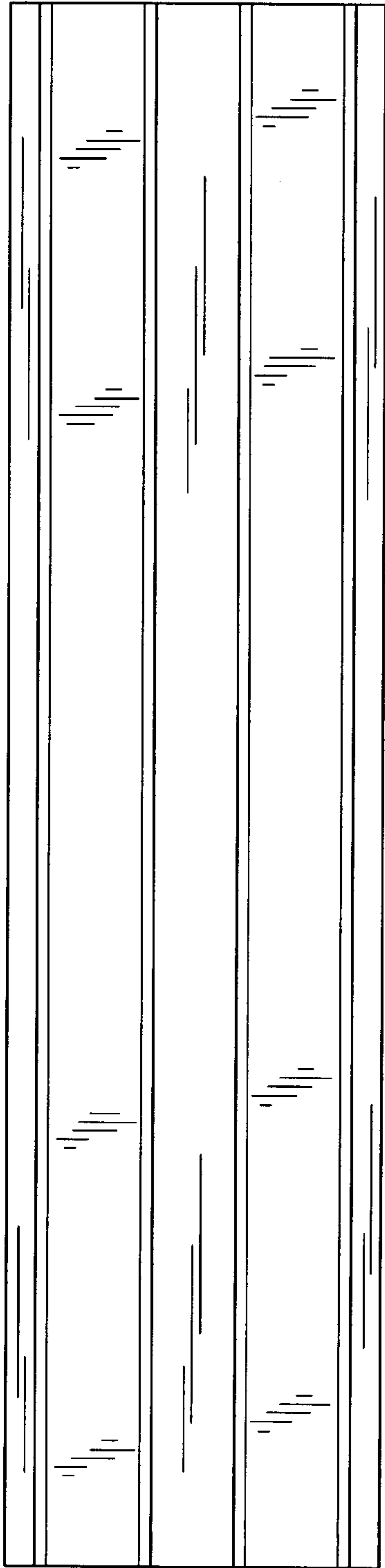


FIG. 4

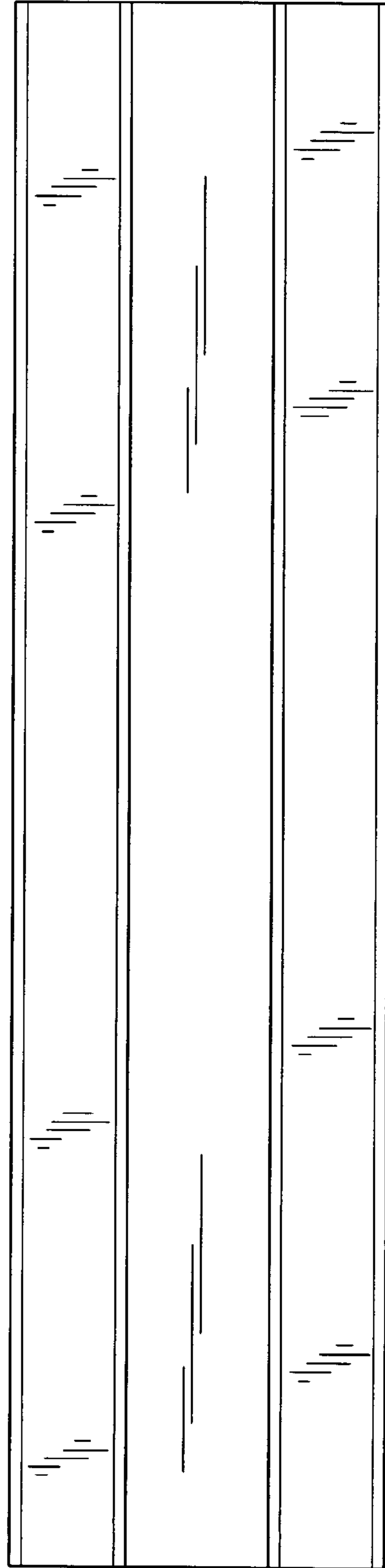


FIG. 5

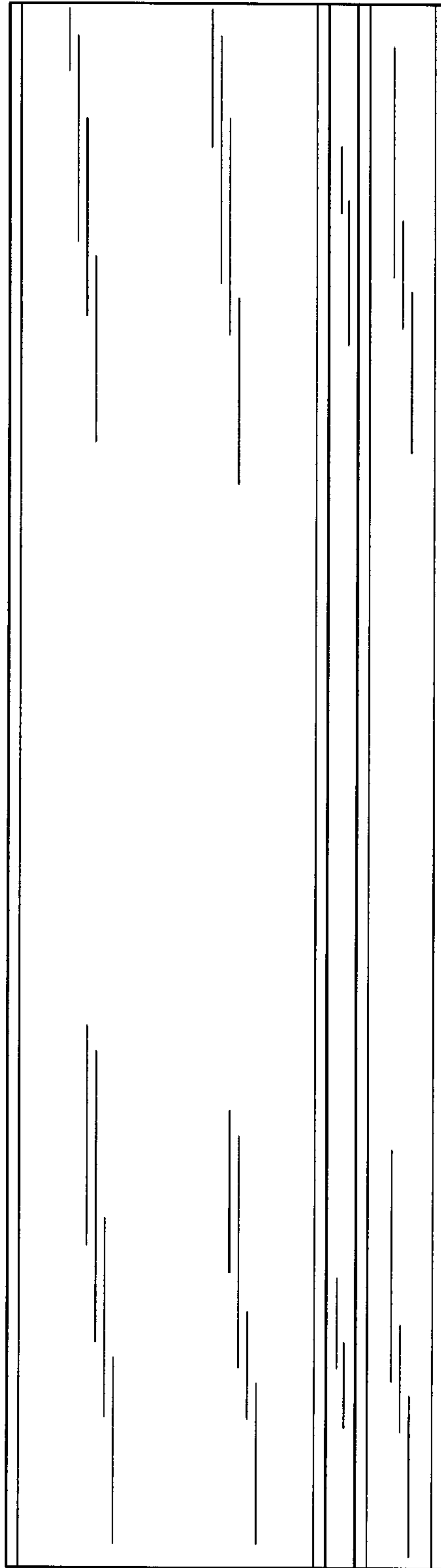


FIG. 6

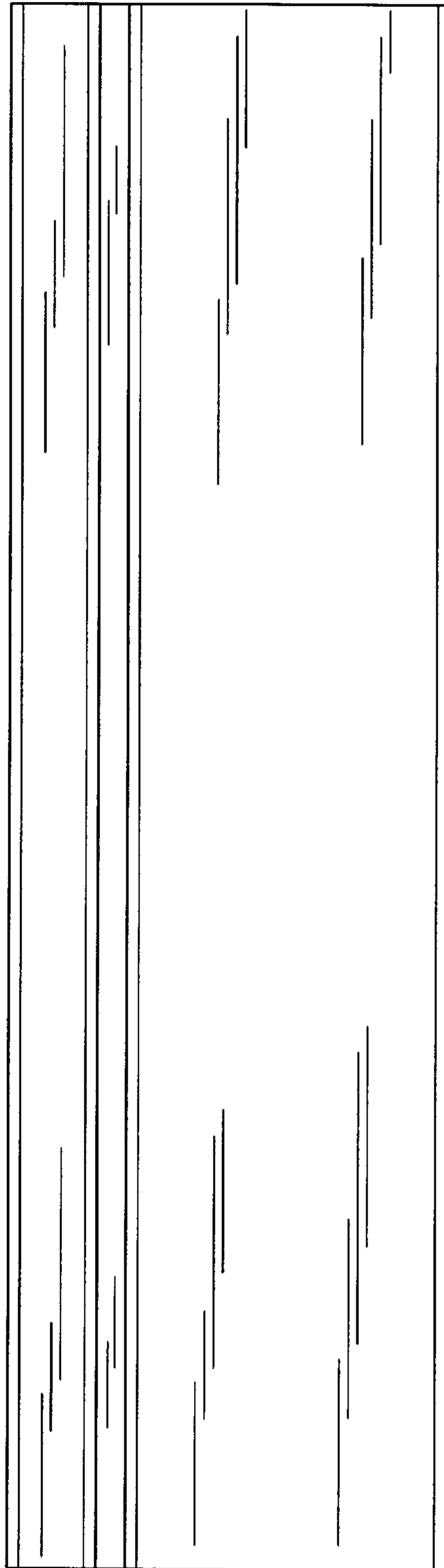


FIG. 7