



US00D444331S

(12) **United States Design Patent**  
**Maloney**

(10) **Patent No.:** **US D444,331 S**

(45) **Date of Patent:** **\*\* Jul. 3, 2001**

(54) **DRAWER PANEL**

(75) Inventor: **William C. Maloney**, Marietta, GA (US)

(73) Assignee: **Key-Trak, Inc.**, Duluth, GA (US)

(\*\*) Term: **14 Years**

(21) Appl. No.: **29/121,141**

(22) Filed: **Mar. 31, 2000**

D. 383,341	*	9/1997	Grosfillex	.....	D6/511
D. 415,367	*	10/1999	Smith	.....	D6/511 X
D. 429,093	*	8/2000	Miller	.....	D6/467
527,589		10/1894	Bristol	.	
4,549,170		10/1985	Serres et al.	.....	340/568
4,595,922	*	6/1986	Cobb et al.	.....	340/825.49
4,661,806		4/1987	Peters et al.	.....	340/568
4,673,915		6/1987	Cobb	.....	340/568.1
4,839,875		6/1989	Kuriyama et al.	.....	369/14
4,866,661		9/1989	De Prins	.....	364/900
5,038,023	*	8/1991	Saliga	.....	235/385
5,801,628	*	9/1998	Maloney	.....	340/568.2
6,075,441	*	6/2000	Maloney	.....	340/568.1

**Related U.S. Application Data**

(62) Division of application No. 09/389,820, filed on Sep. 3, 1999, which is a continuation of application No. 09/073,757, filed on May 6, 1998, now Pat. No. 6,075,441, which is a continuation of application No. 08/708,617, filed on Sep. 5, 1996, now Pat. No. 5,801,628.

(51) **LOC (7) Cl.** ..... **06-06**

(52) **U.S. Cl.** ..... **D6/510**

(58) **Field of Search** ..... D6/491, 492, 509, D6/510, 511, 467; 235/385; 340/568, 568.1, 568.2, 825, 825.49

**References Cited**

**U.S. PATENT DOCUMENTS**

D. 29,236	*	8/1898	Walter	.....	D6/467
D. 308,777	*	6/1990	Gambello	.....	D6/467
D. 375,857	*	11/1996	Blois	.....	D6/511

\* cited by examiner

*Primary Examiner*—Cathron C. Brooks

(74) *Attorney, Agent, or Firm*—Womble Carlyle Sandridge & Rice

(57) **CLAIM**

The ornamental design for a “drawer panel,” as shown and described.

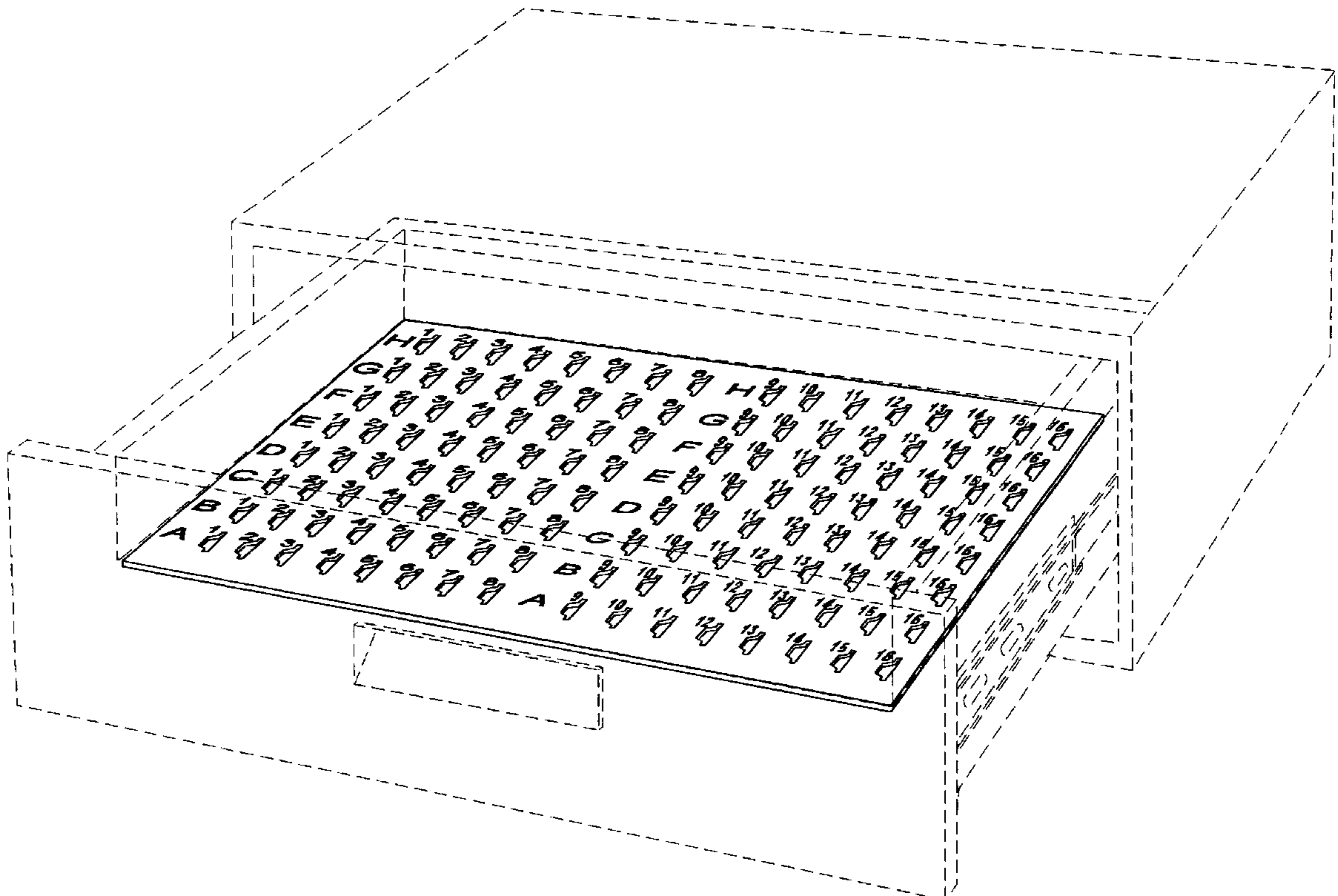
**DESCRIPTION**

FIG. 1 is a perspective view of a drawer panel showing my new design with a drawer shown in phantom lines to provide context; and,

FIG. 2 is a top plan view thereof.

The broken lines shown are for illustrative purposes only and form no part of the claimed design.

**1 Claim, 2 Drawing Sheets**



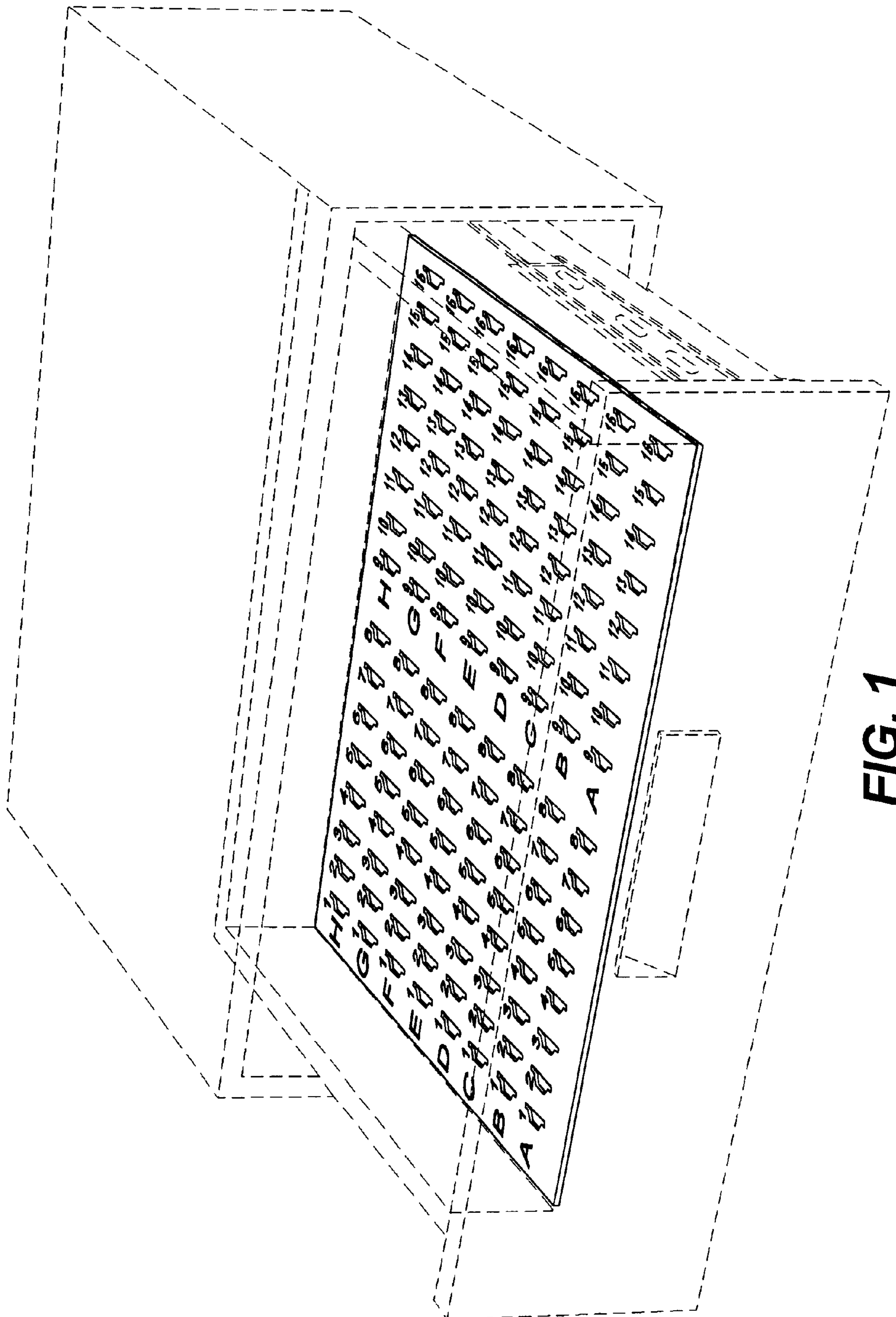
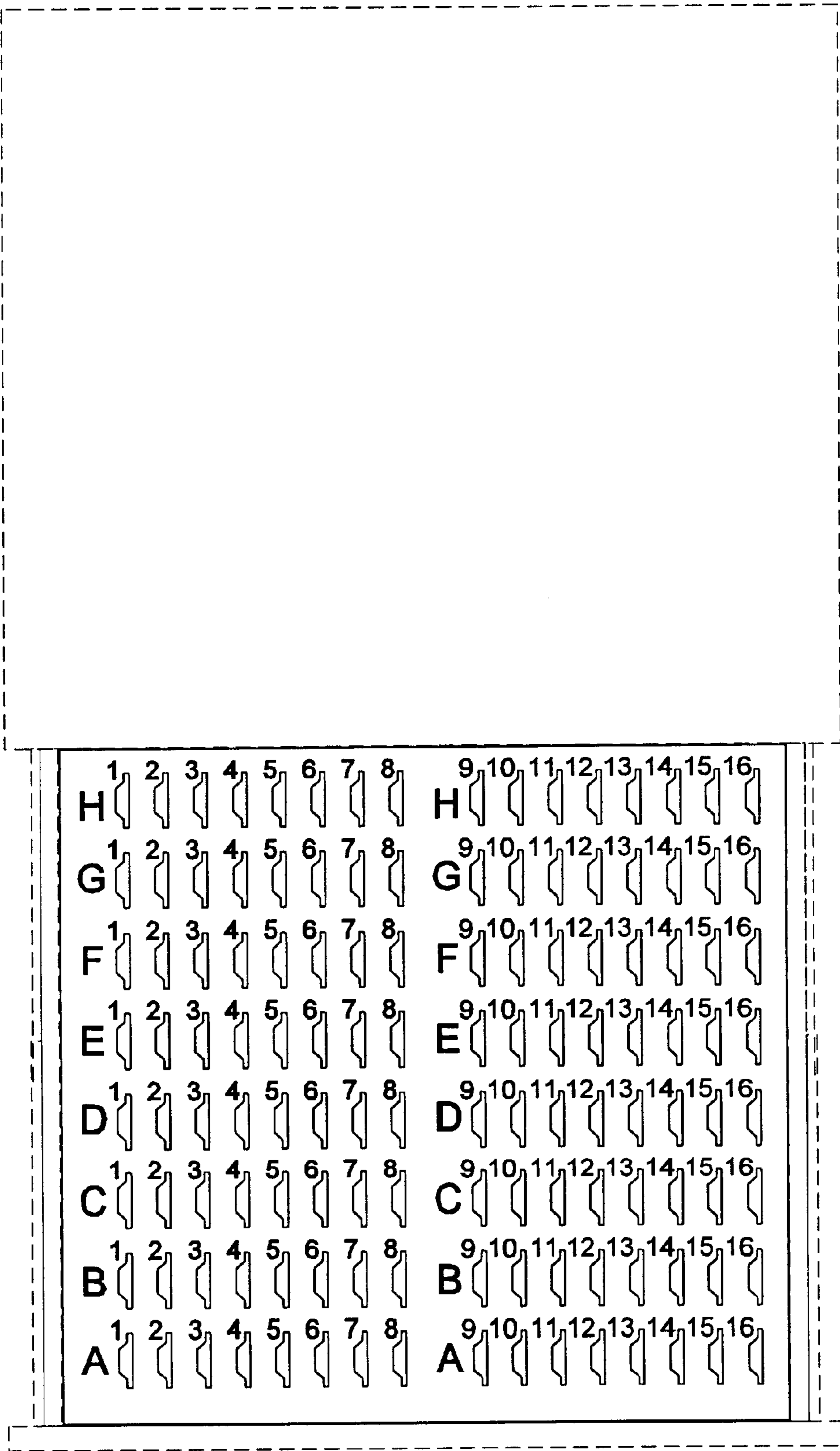


FIG. 1



**FIG. 2**