



US00D444326S

(12) **United States Design Patent**
Minami

(10) **Patent No.:** **US D444,326 S**

(45) **Date of Patent:** **** Jul. 3, 2001**

(54) **SEAT FOR BARBER OR BEAUTY CHAIR**

(75) Inventor: **Nobuyuki Minami, Osaka (JP)**

(73) Assignee: **Oohiro Works, Ltd., Osaka (JP)**

(**) Term: **14 Years**

(21) Appl. No.: **29/126,721**

(22) Filed: **Jul. 21, 2000**

(30) **Foreign Application Priority Data**

Jan. 31, 2000 (JP) 12-001335

(51) **LOC (7) Cl.** **06-06**

(52) **U.S. Cl.** **D6/500**

(58) **Field of Search** D6/334-336, 364-367,
D6/374, 375, 379, 380, 500-502; 297/411.2,
411.14, 411.25, 411.27, 411.28, 411.44,
423.1, 423.19, 423.25

(56) **References Cited**

U.S. PATENT DOCUMENTS

- D. 259,841 * 7/1981 Mioni D6/380
- D. 294,434 * 3/1988 Zakharov D6/380
- D. 357,369 * 4/1995 Klein D6/380
- D. 368,380 * 4/1996 Olson et al. D6/366
- D. 378,714 * 4/1997 Beaulieu D6/366
- D. 393,755 * 4/1998 Nemeth, Jr. D6/366

- D. 395,761 * 7/1998 Saul D6/366
- D. 395,962 * 7/1998 Buffon D6/365
- D. 416,407 * 11/1999 Baumann et al. D6/500
- D. 420,224 * 2/2000 Olson D6/366
- D. 423,241 * 4/2000 Magnusson et al. D6/366
- 1,284,596 * 11/1918 Civitillo 297/411.44
- 1,810,134 * 6/1931 Emmert 297/423.25

* cited by examiner

Primary Examiner—Doris V. Coles

Assistant Examiner—Mimosa De

(74) *Attorney, Agent, or Firm*—Burr & Brown

(57) **CLAIM**

The ornamental design for a seat for barber or beauty chair, as shown and described.

DESCRIPTION

FIG. 1 is a front view of a seat for barber or beauty chair in accordance with my new design;
 FIG. 2 is a back view thereof;
 FIG. 3 is a right side view thereof, the left side view being a mirror image thereof;
 FIG. 4 is a top view thereof;
 FIG. 5 is a bottom view thereof;
 FIG. 6 is a front perspective view; and,
 FIG. 7 is a rear perspective view.

1 Claim, 4 Drawing Sheets

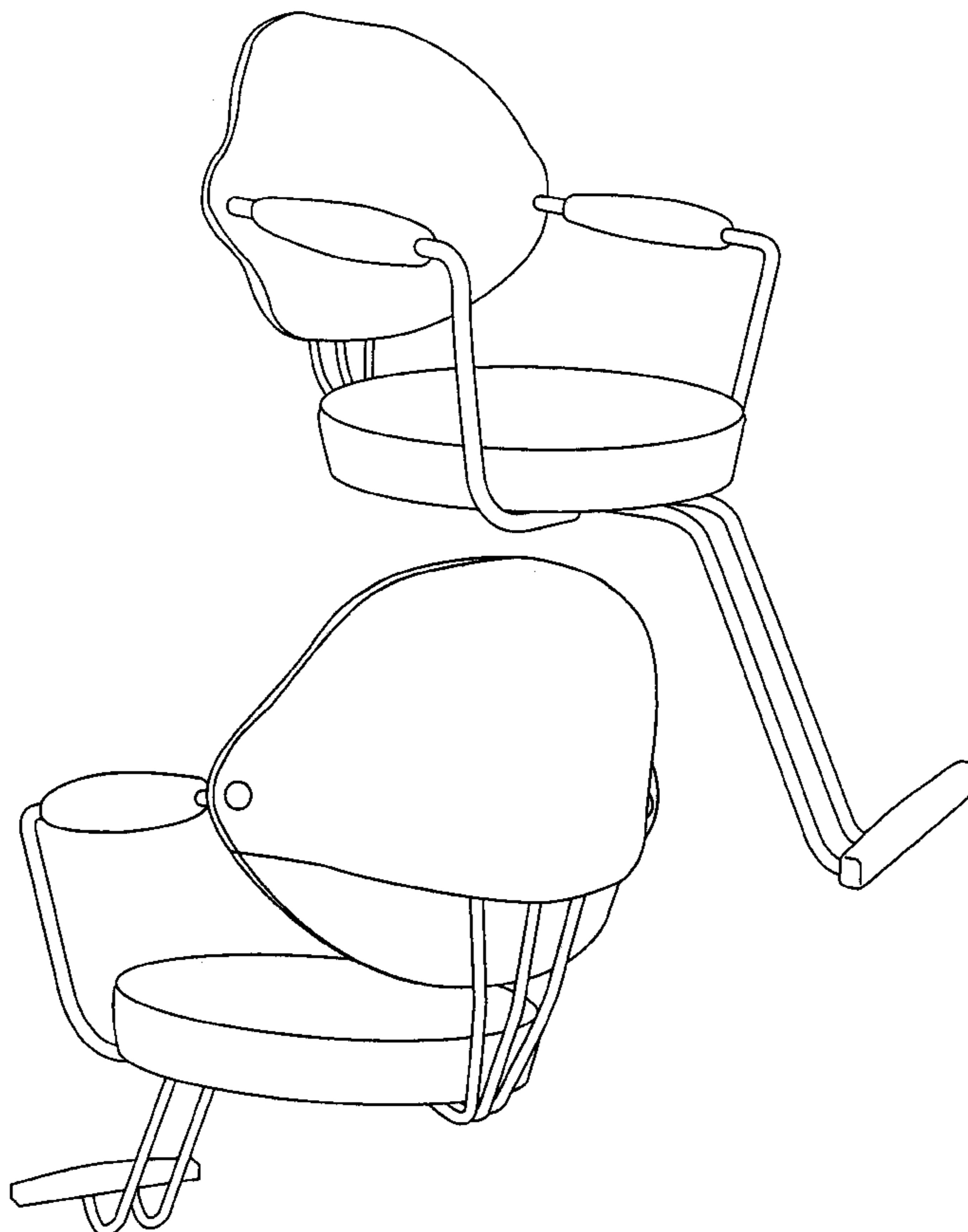


Fig.1

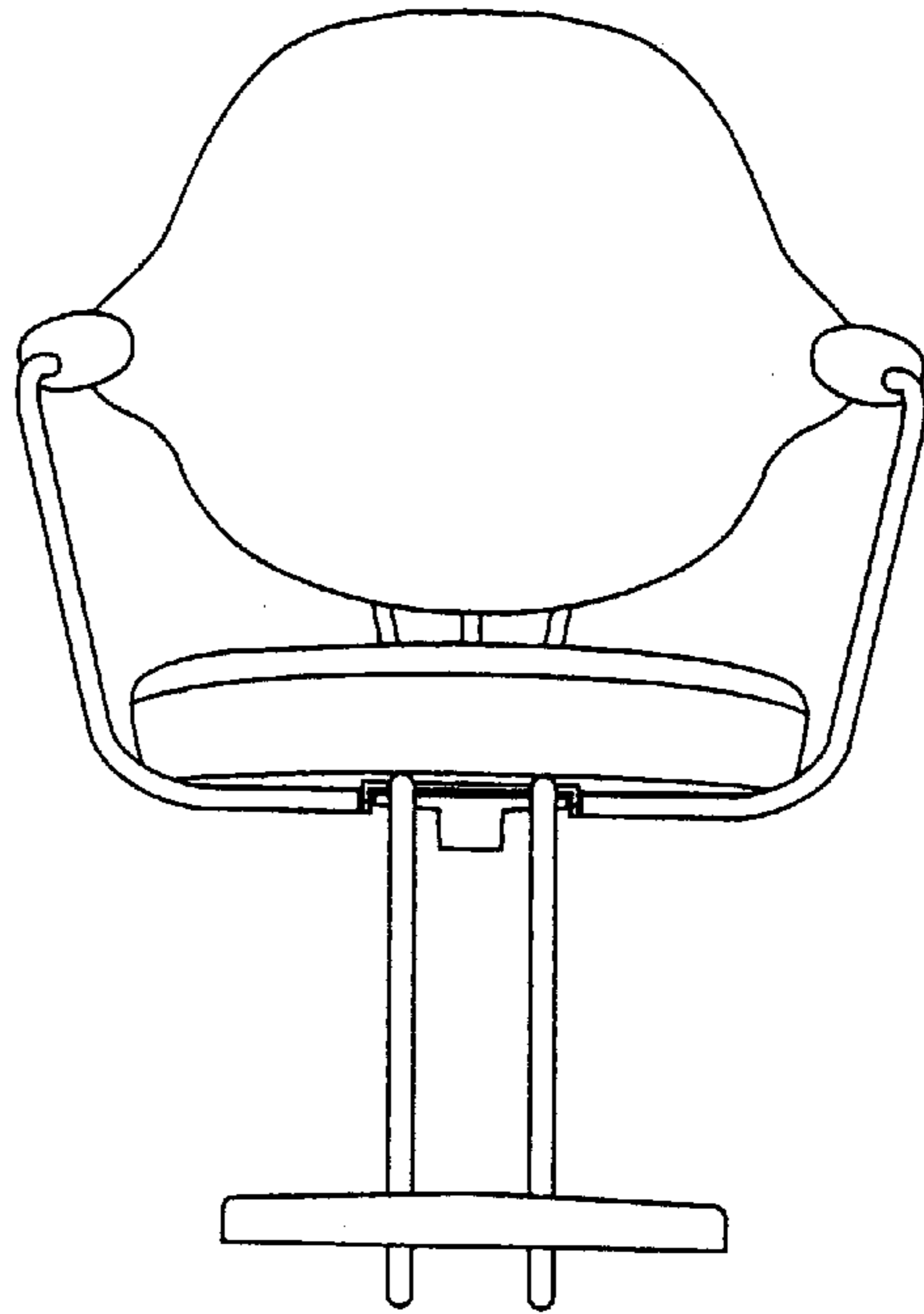


Fig.2

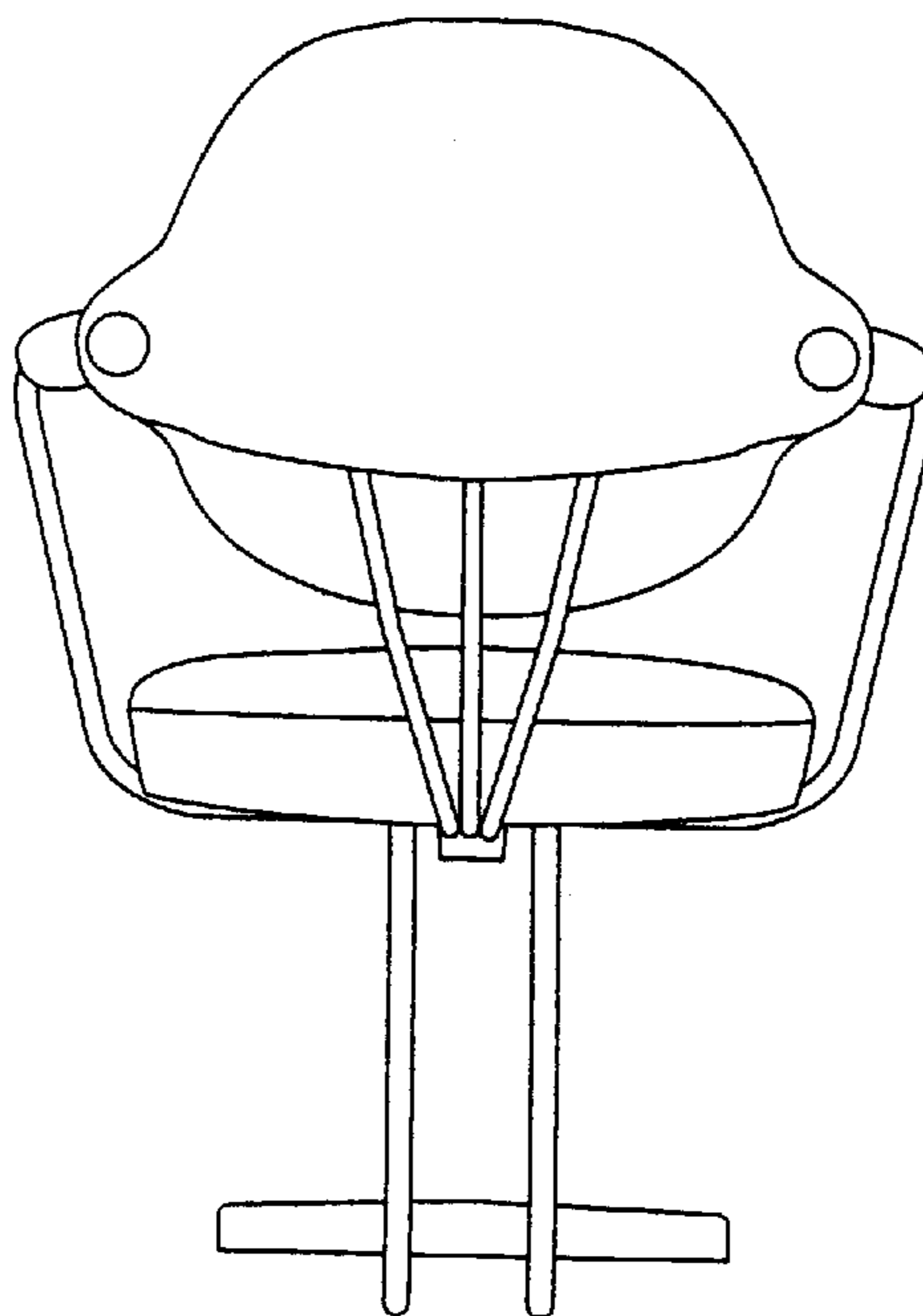


Fig.3

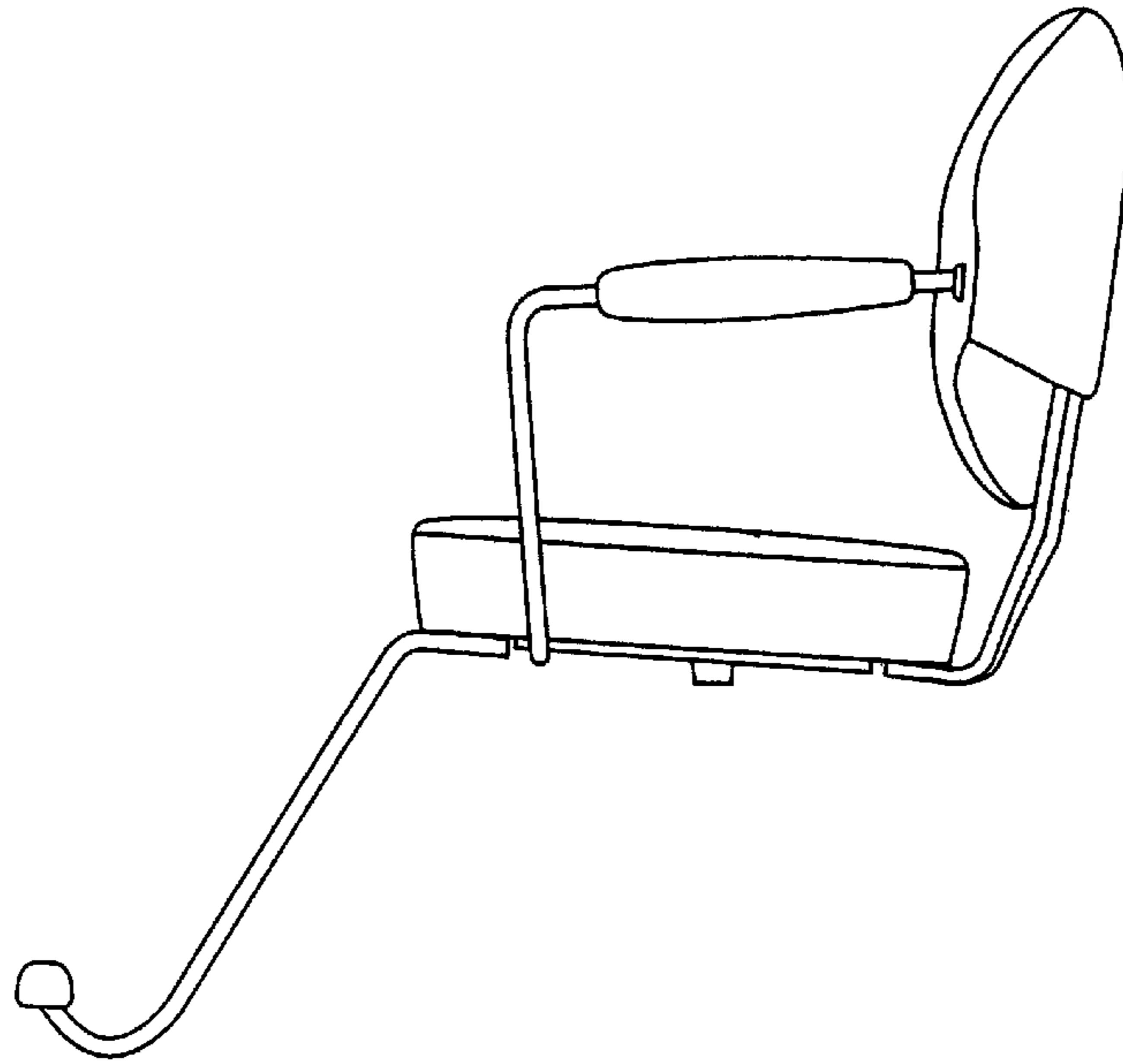


Fig.4

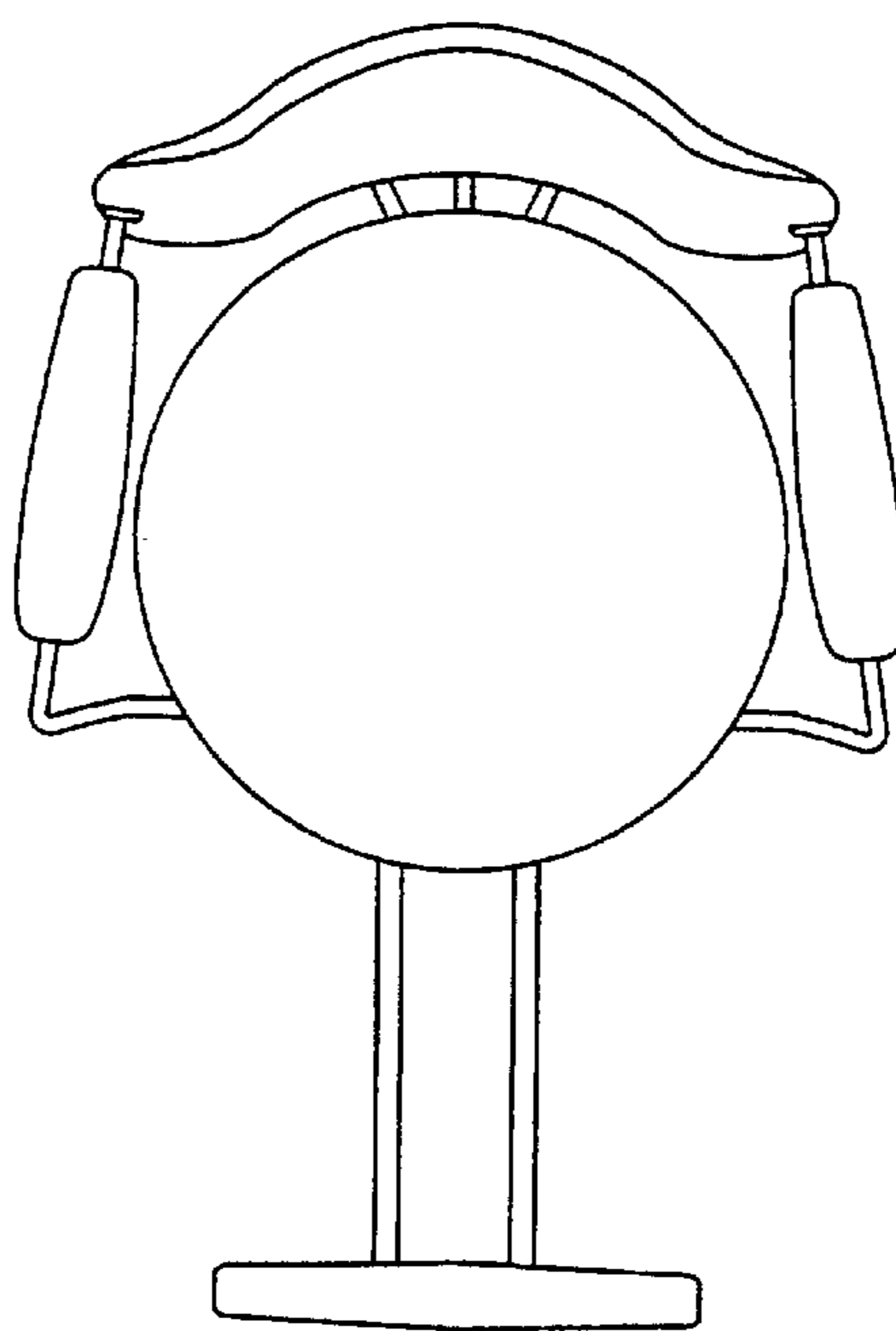


Fig.5

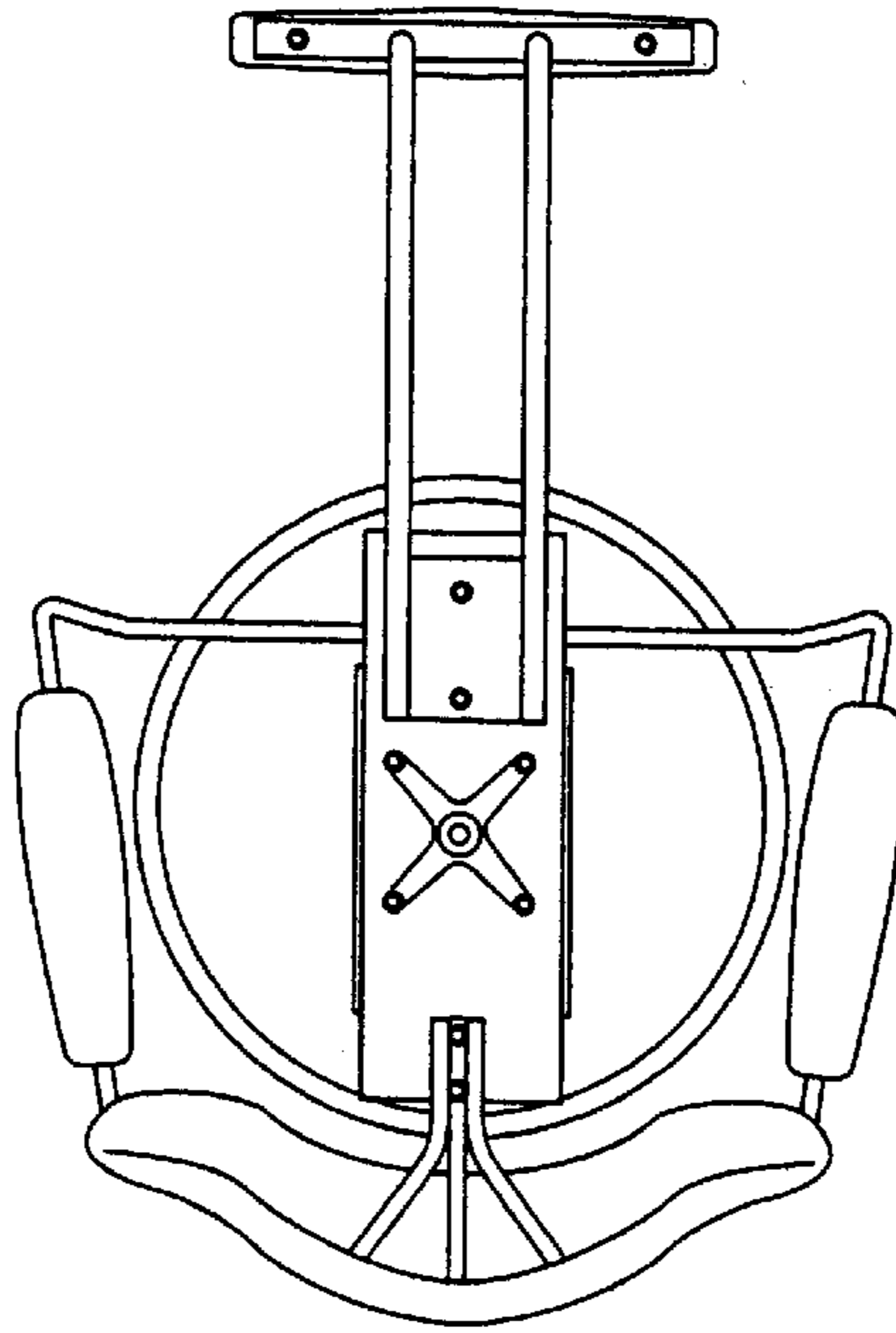


Fig.6

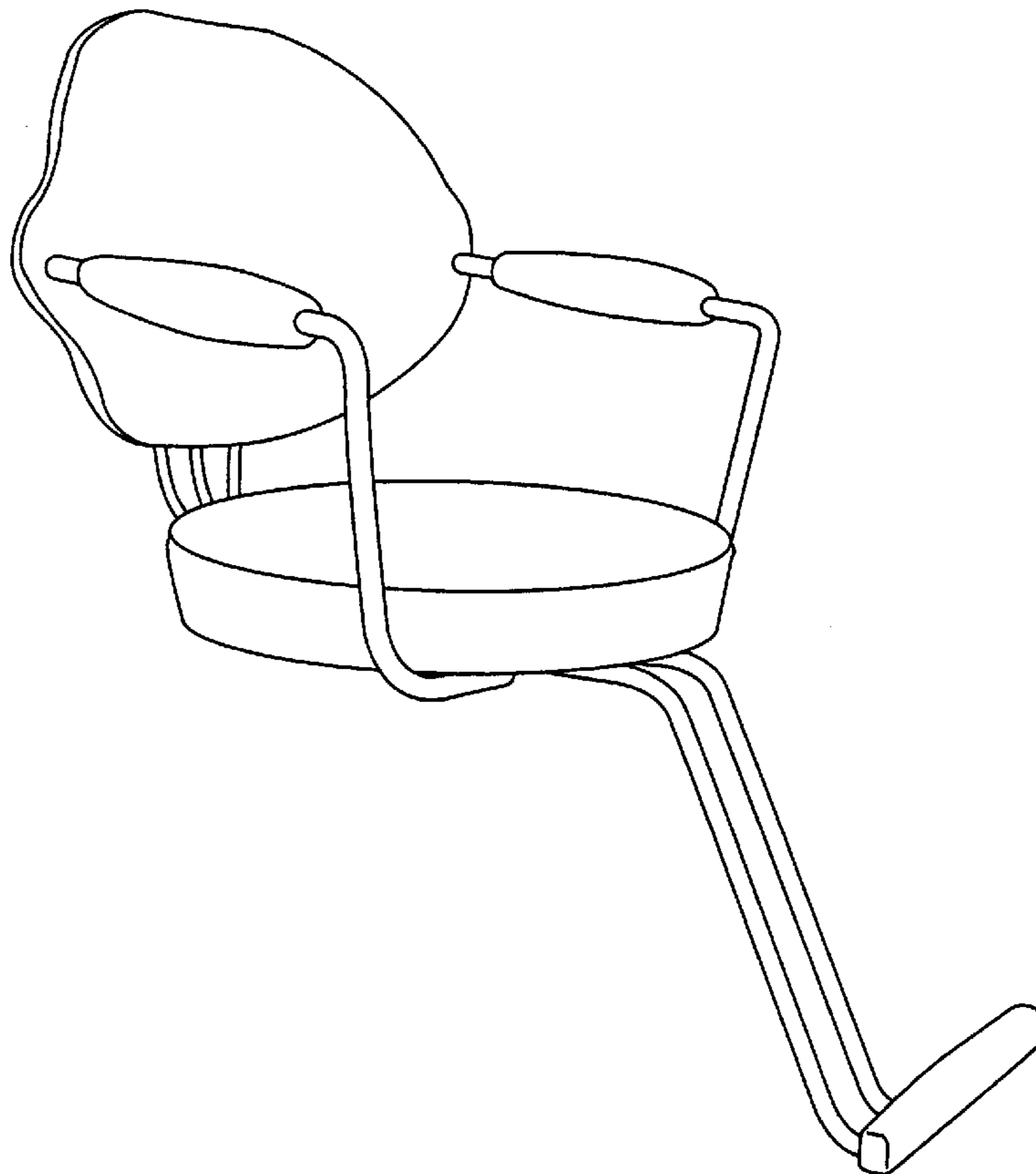


Fig.7

