



US00D444324S

(12) **United States Design Patent**
Glover

(10) **Patent No.:** **US D444,324 S**

(45) **Date of Patent:** **** Jul. 3, 2001**

(54) **TABLE**

D. 350,662 * 9/1994 Klein D6/487

(76) **Inventor:** **Wesley Glover**, 321 Willow Ave. #10,
Hoboken, NJ (US) 07030

(**) **Term:** **14 Years**

(21) **Appl. No.:** **29/118,250**

(22) **Filed:** **Feb. 4, 2000**

(51) **LOC (7) Cl.** **06-06**

(52) **U.S. Cl.** **D6/492; D6/480**

(58) **Field of Search** D6/480-489, 495-499;
108/153.1, 155, 156, 157.1, 157.15, 157.16,
161; 248/188, 188.1

(56) **References Cited**

U.S. PATENT DOCUMENTS

D. 282,799 * 3/1986 Doezema D6/495

OTHER PUBLICATIONS

Jordan Marsh, Aug. 1992, p. 5 table.*

* cited by examiner

Primary Examiner—Janice E. Seeger

(57) **CLAIM**

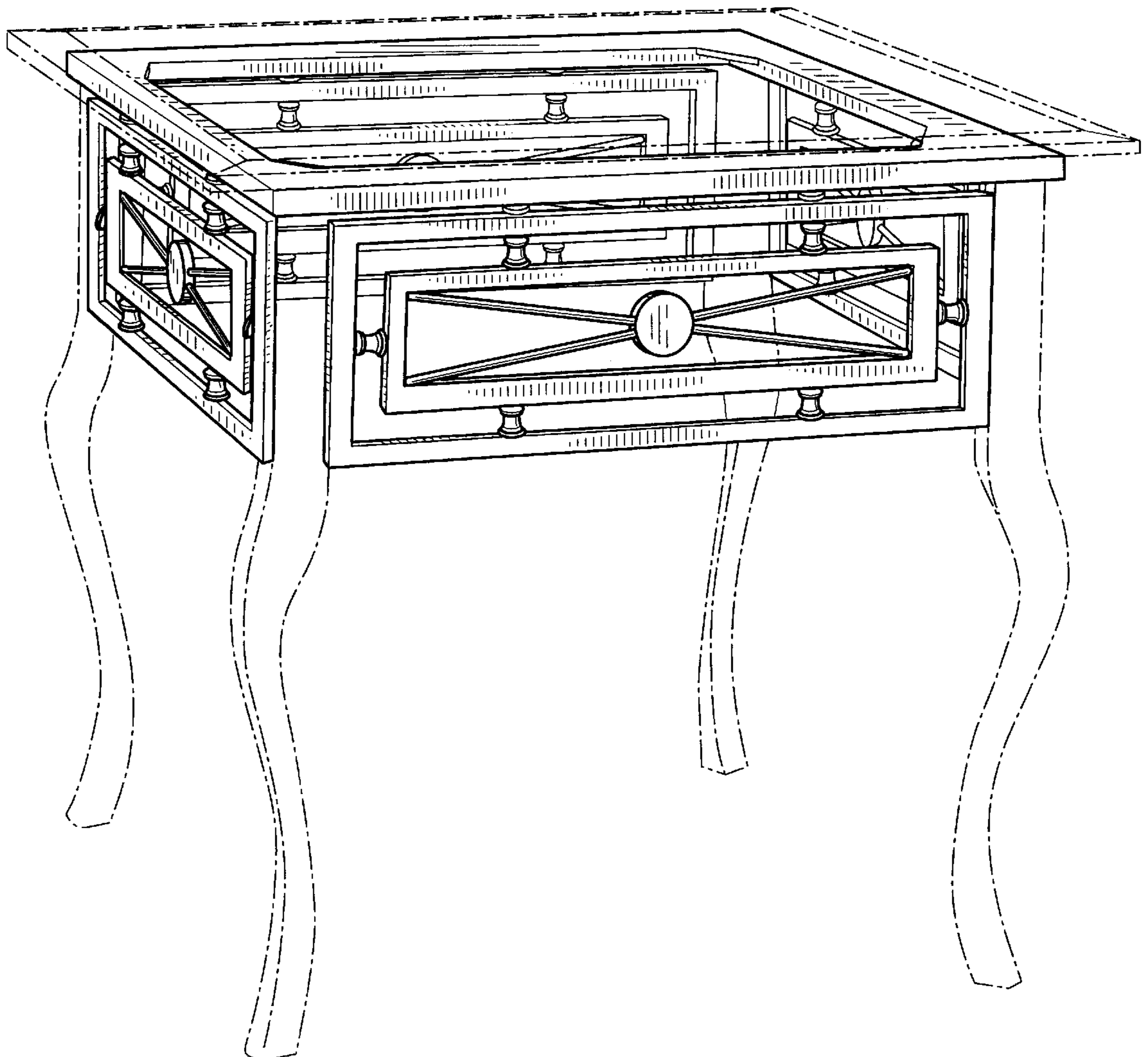
The ornamental design for a table, as shown and described.

DESCRIPTION

FIG. 1 is a perspective view, thereof;
FIG. 2 is a front view, thereof, all sides being identical; and,
FIG. 3 is a top view, thereof.

The broken-lines are for illustrative purposes only and form
no part of the claimed design.

1 Claim, 2 Drawing Sheets



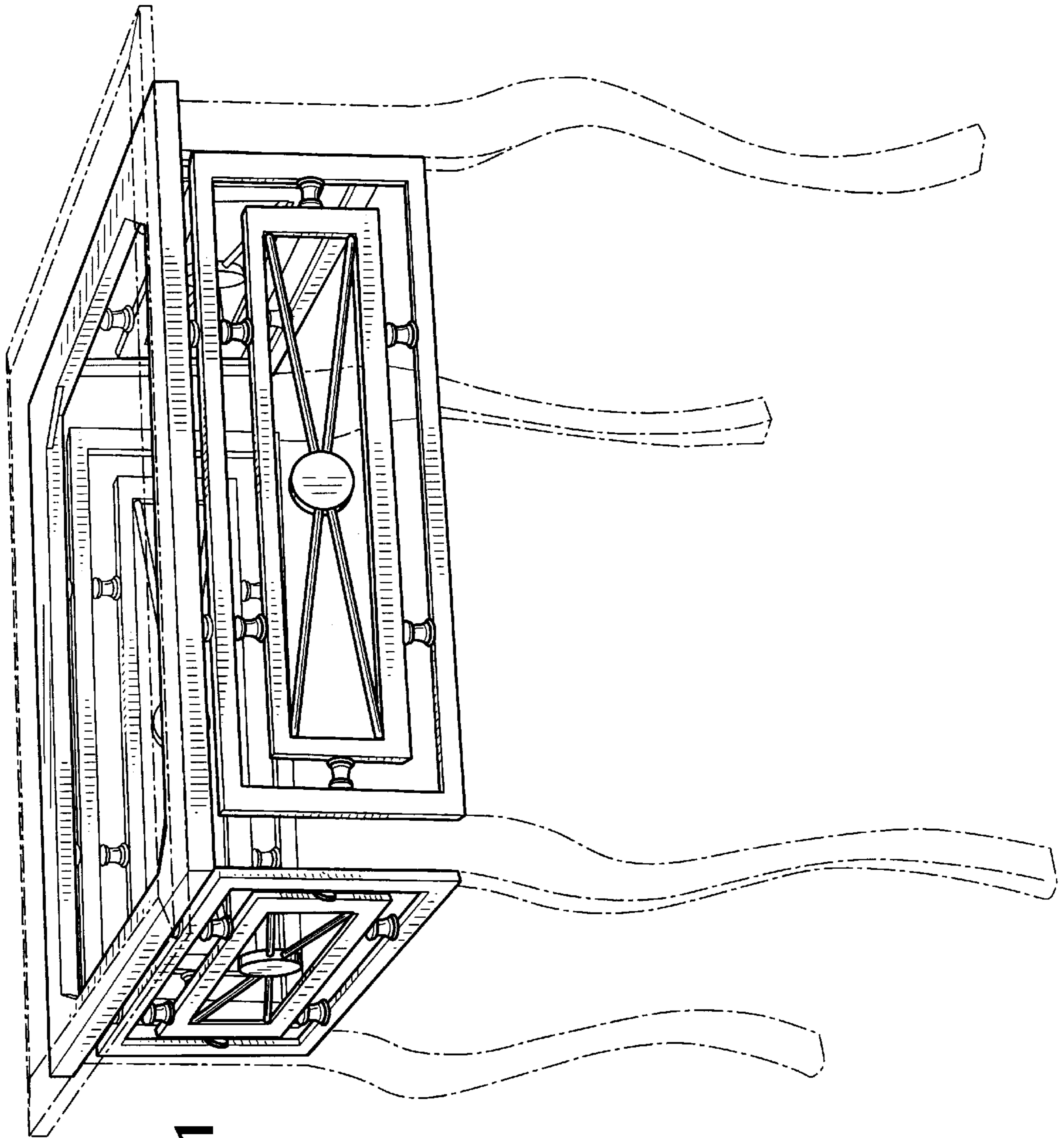


FIG. 1

FIG. 2

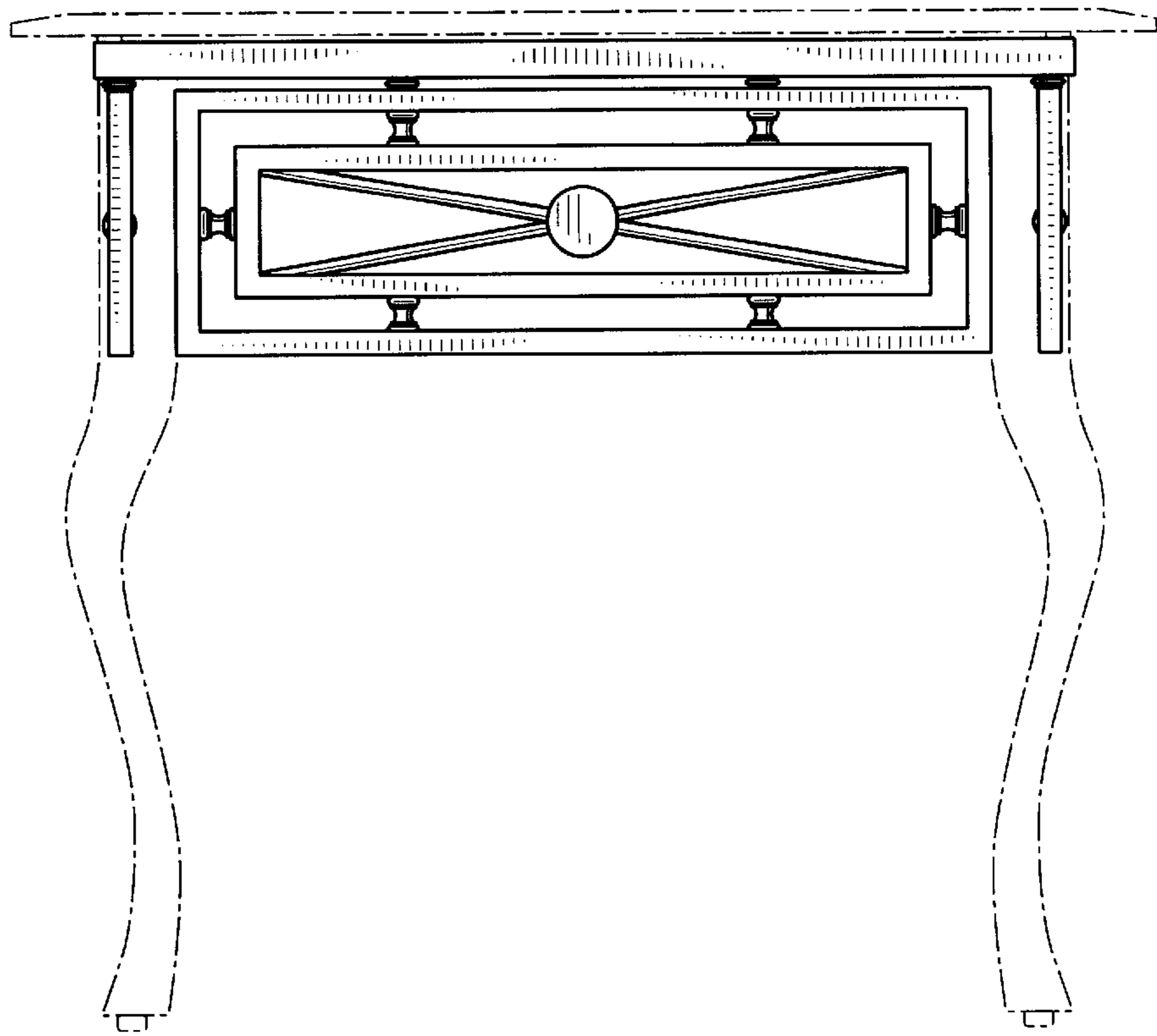


FIG. 3

