



US00D444320S

(12) **United States Design Patent**
McIntyre

(10) **Patent No.:** **US D444,320 S**

(45) **Date of Patent:** **** Jul. 3, 2001**

(54) **PORTABLE STAND**

(75) **Inventor:** **Jonothon M. W. McIntyre**, Palmdale, CA (US)

(73) **Assignee:** **M.O.M. Products, Inc.**, Palmdale, CA (US)

(**) **Term:** **14 Years**

(21) **Appl. No.:** **29/132,316**

(22) **Filed:** **Nov. 7, 2000**

(51) **LOC (7) Cl.** **06-99**

(52) **U.S. Cl.** **D6/450**

(58) **Field of Search** D6/403-405, 449-451, D6/514, 460, 462, 464, 468; D11/143, 149, 151; 211/71.01, 72, 134, 135, 205

(56) **References Cited**

U.S. PATENT DOCUMENTS

D. 184,963 * 4/1959 Roesch D6/450

D. 227,627 * 7/1973 Stevenson D6/460

D. 242,670 * 12/1976 Northup D6/450

D. 304,395 * 11/1989 Taylor D6/450 X

* cited by examiner

Primary Examiner—Nanda Bondade

(74) *Attorney, Agent, or Firm*—Kelly Bauersfeld Lowry & Kelley, LLP

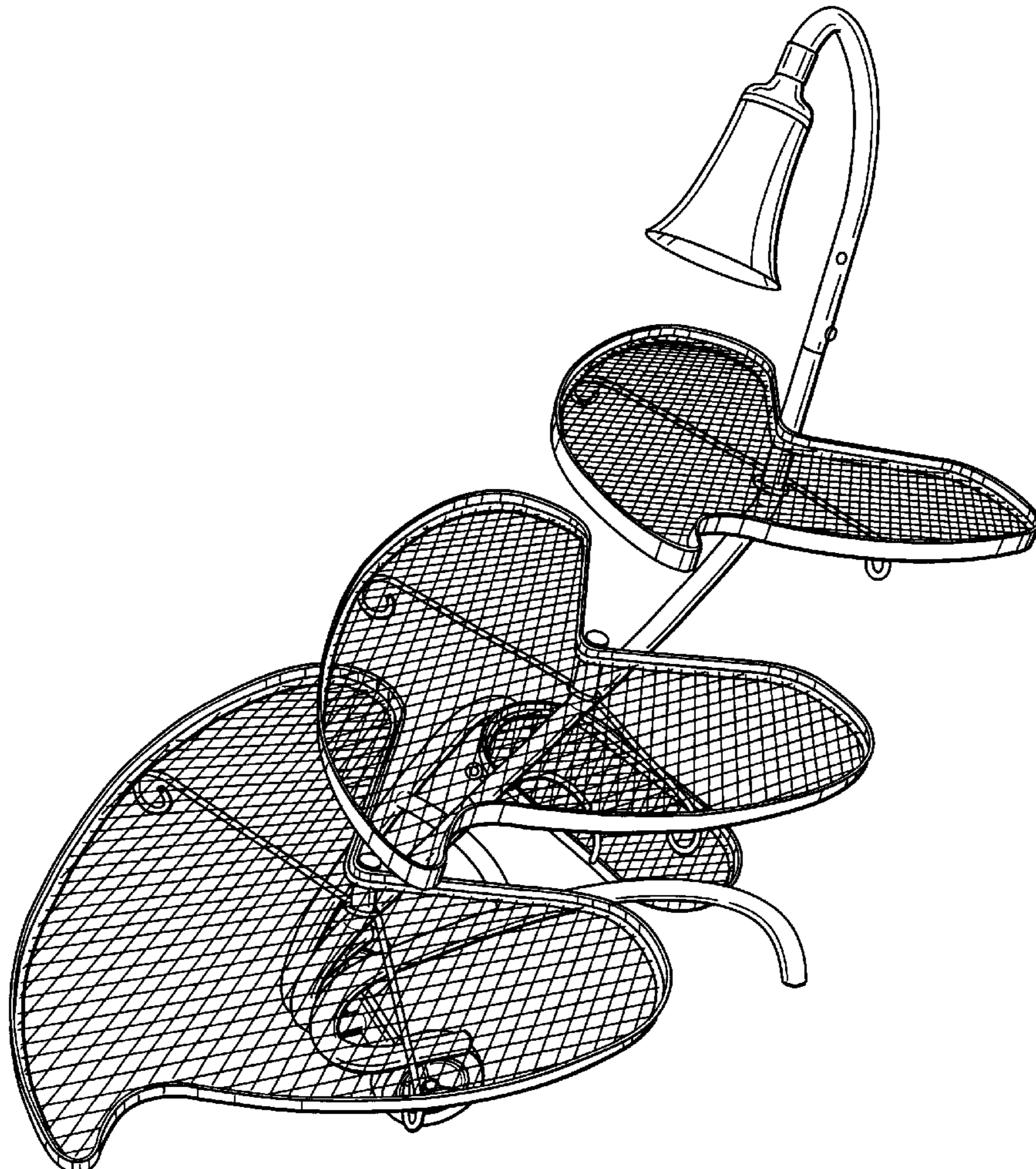
(57) **CLAIM**

The ornamental design for a portable stand, as shown.

DESCRIPTION

FIG. 1 is a portable stand embodying the new design; FIG. 2 is a front elevational view thereof; FIG. 3 is a rear elevational view thereof; FIG. 4 is a left side elevational view thereof; FIG. 5 is a right side elevational view thereof; FIG. 6 is a top plan view thereof; and, FIG. 7 is bottom plan view thereof.

1 Claim, 5 Drawing Sheets



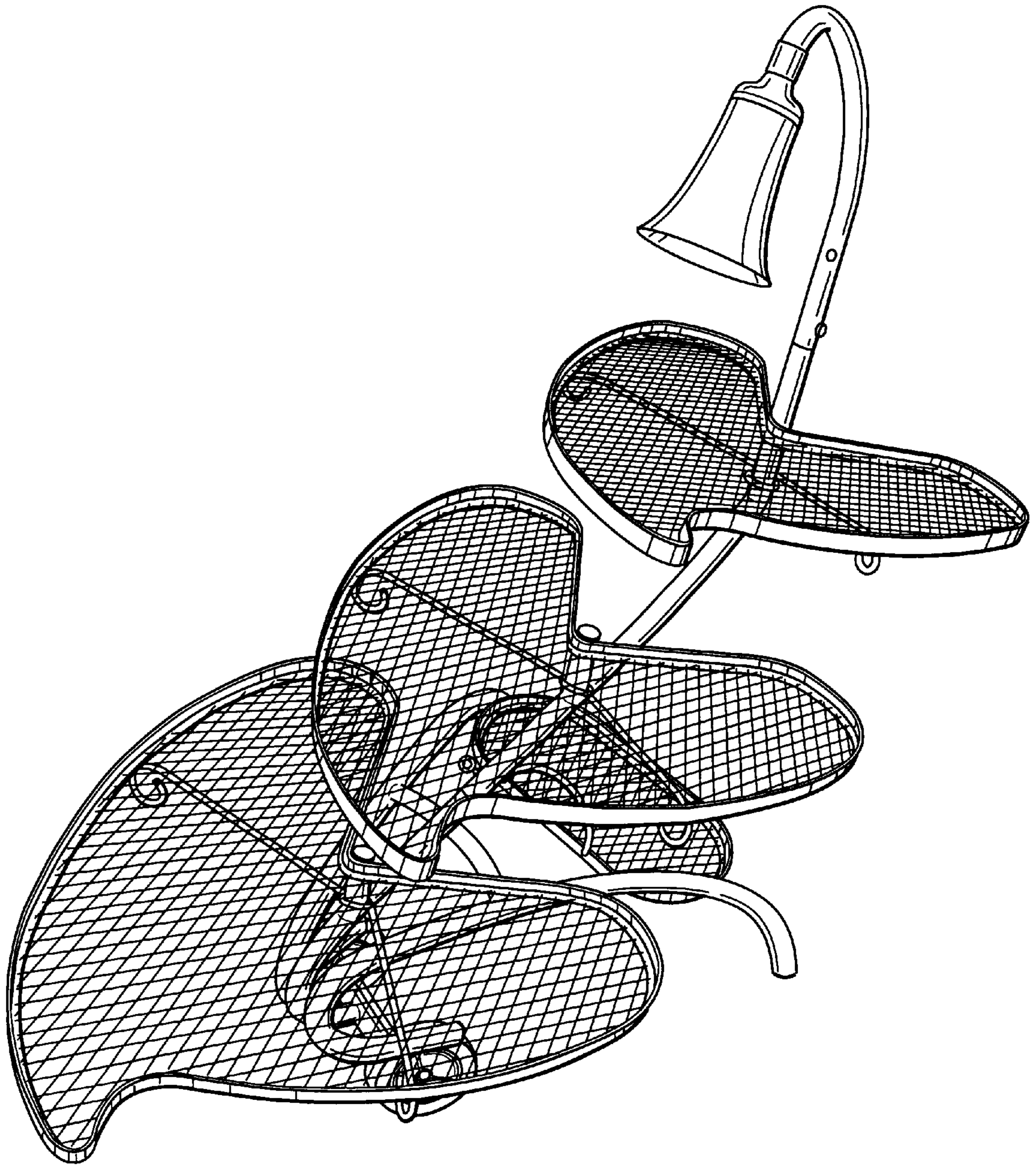


FIG. 1

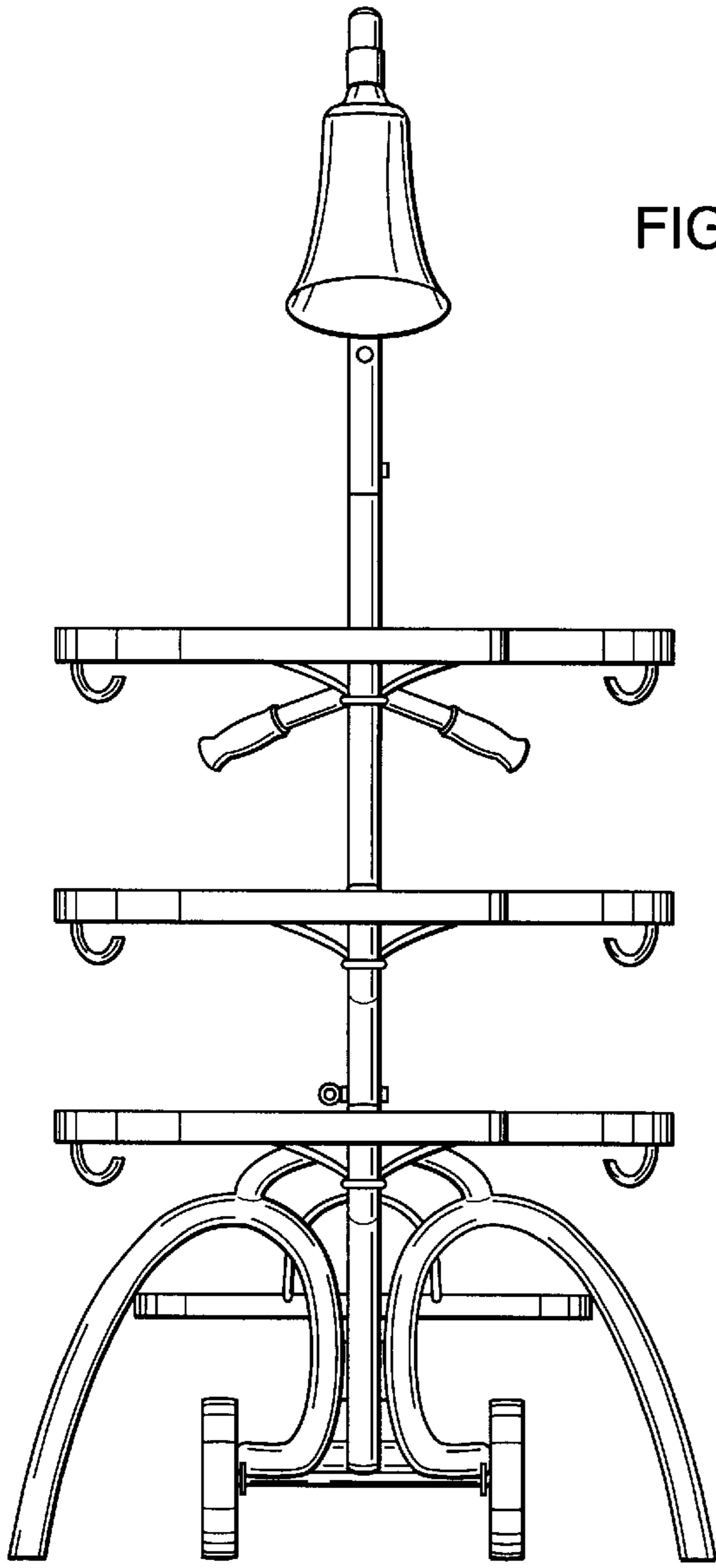


FIG. 2

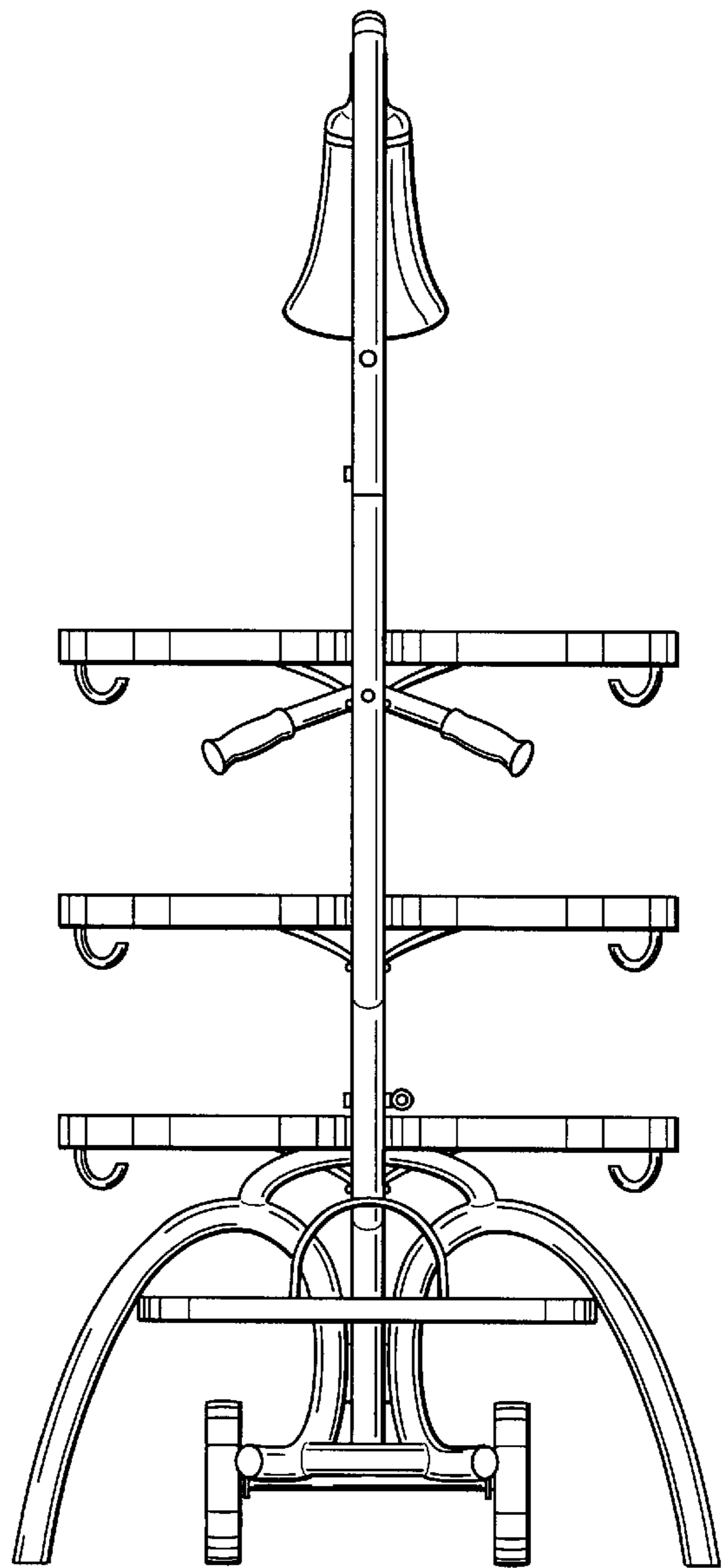


FIG. 3

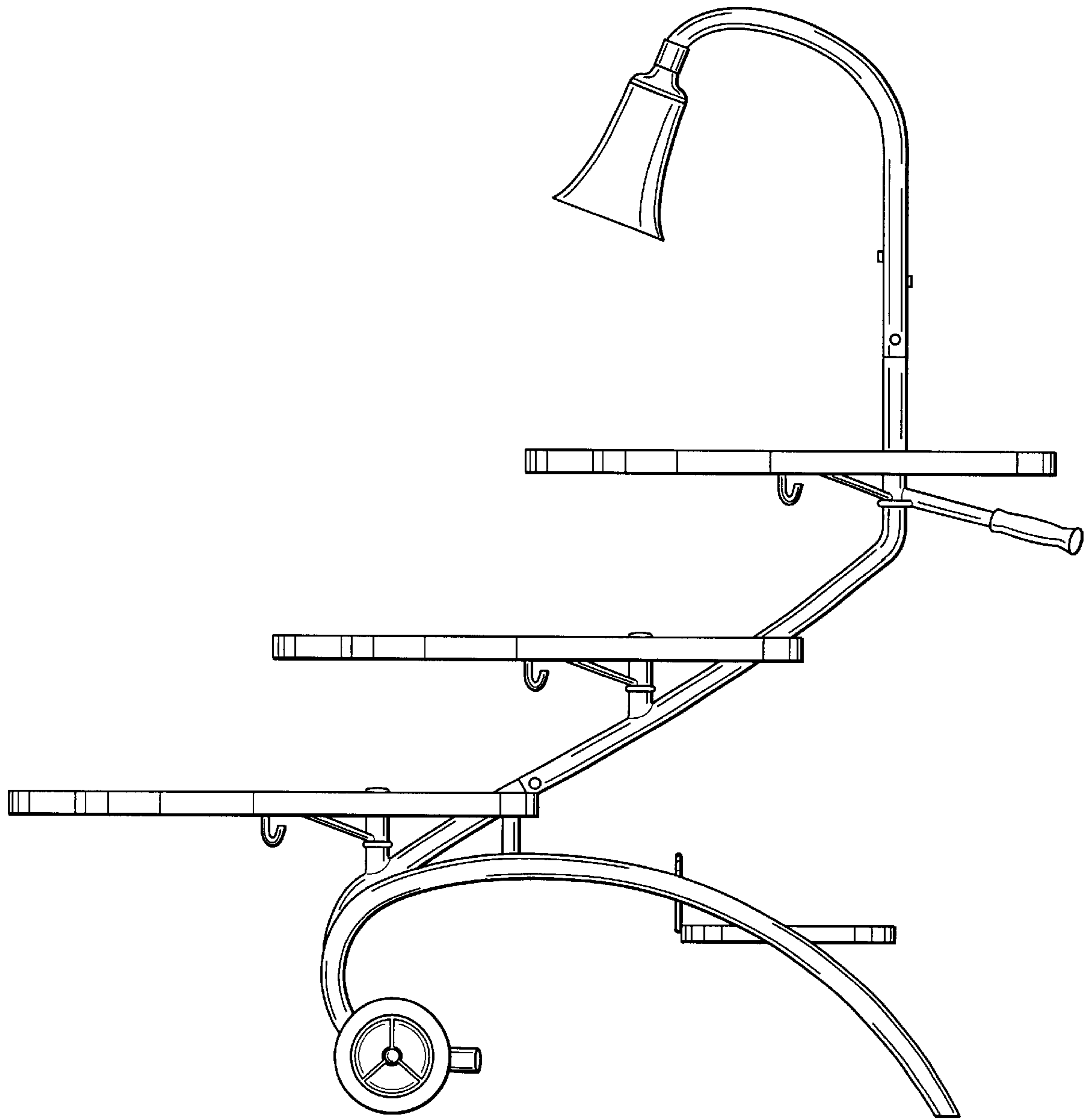


FIG. 4

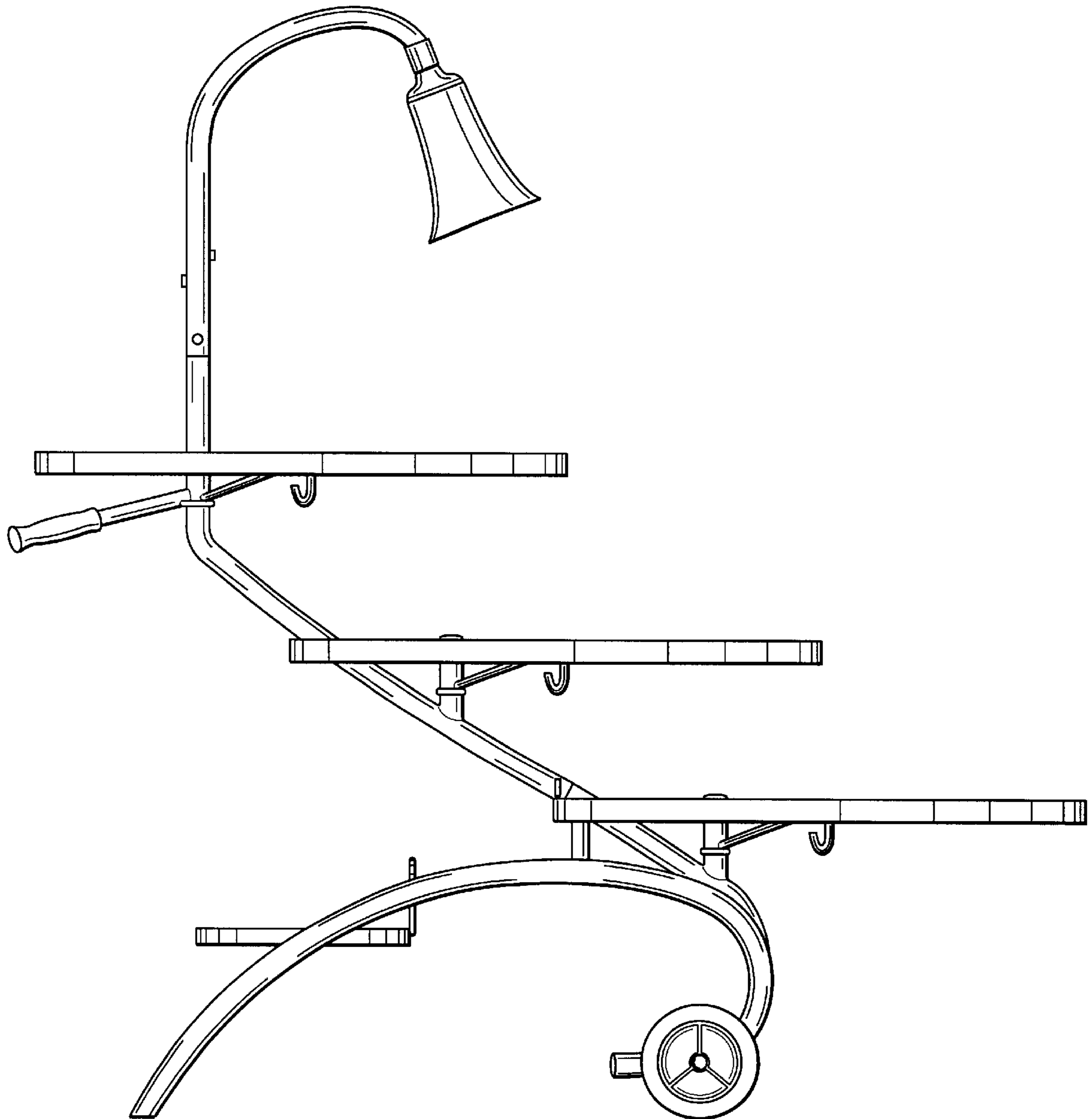


FIG. 5

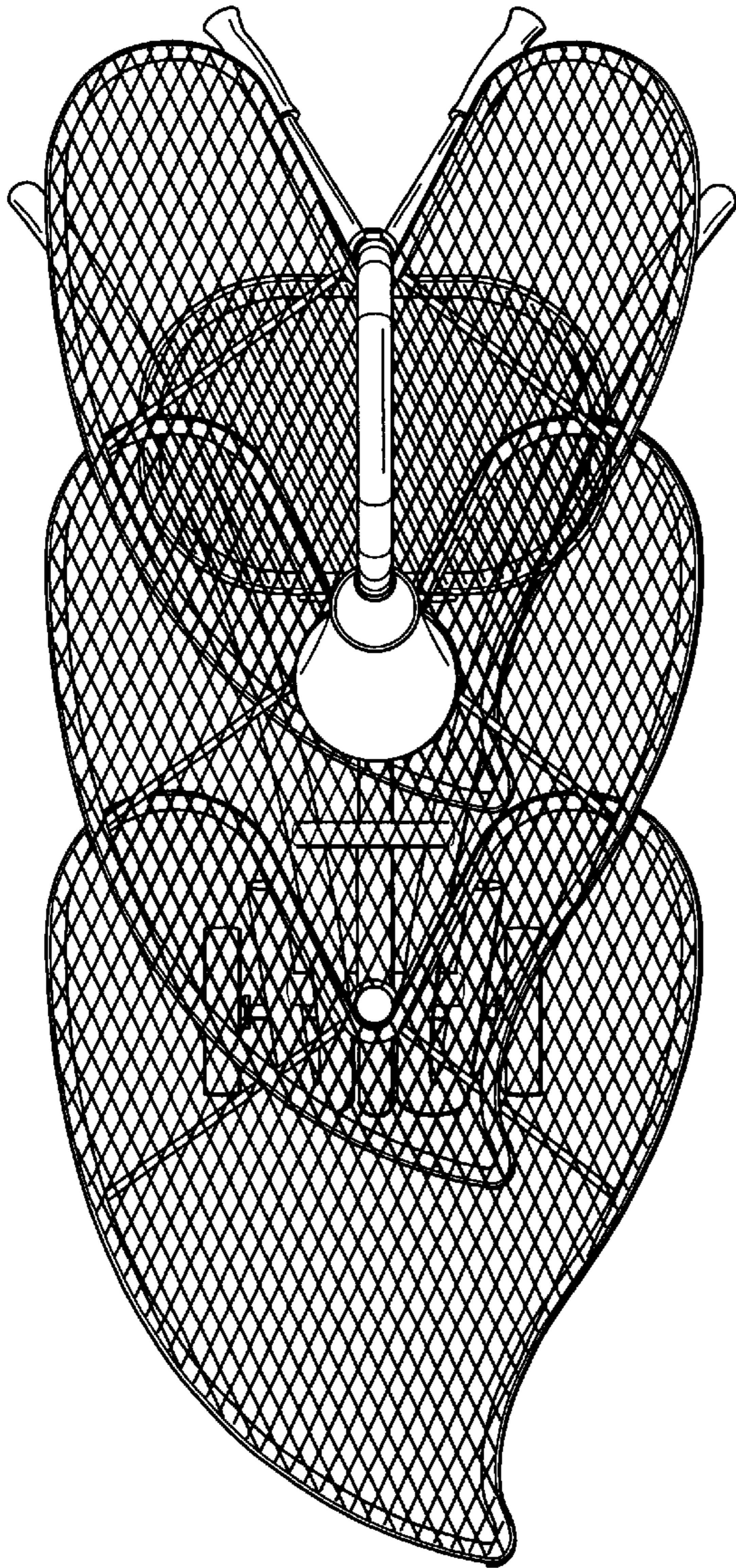


FIG. 7

FIG. 6

