



US00D444315S

(12) **United States Design Patent**
Brown

(10) **Patent No.:** **US D444,315 S**

(45) **Date of Patent:** **** Jul. 3, 2001**

(54) **FURNITURE**

(76) **Inventor:** **Roger Brown**, 443 S. 9th Ave., Mount Vernon, NY (US) 10550

(**) **Term:** **14 Years**

(21) **Appl. No.:** **29/132,591**

(22) **Filed:** **Nov. 9, 2000**

(51) **LOC (7) Cl.** **06-04**

(52) **U.S. Cl.** **D6/436**

(58) **Field of Search** D6/432, 436, 426, D6/427, 437, 438, 439, 442; 312/204

(56) **References Cited**

U.S. PATENT DOCUMENTS

D. 62,633 * 7/1923 Hunter D6/438

* cited by examiner

Primary Examiner—Cathron C. Brooks

(74) *Attorney, Agent, or Firm*—Cohen, Pontani, Lieberman & Pavane

(57) **CLAIM**

The ornamental design for furniture, as shown and described.

DESCRIPTION

FIG. 1 is a perspective view of the subject design;

FIG. 2 is a front view thereof;

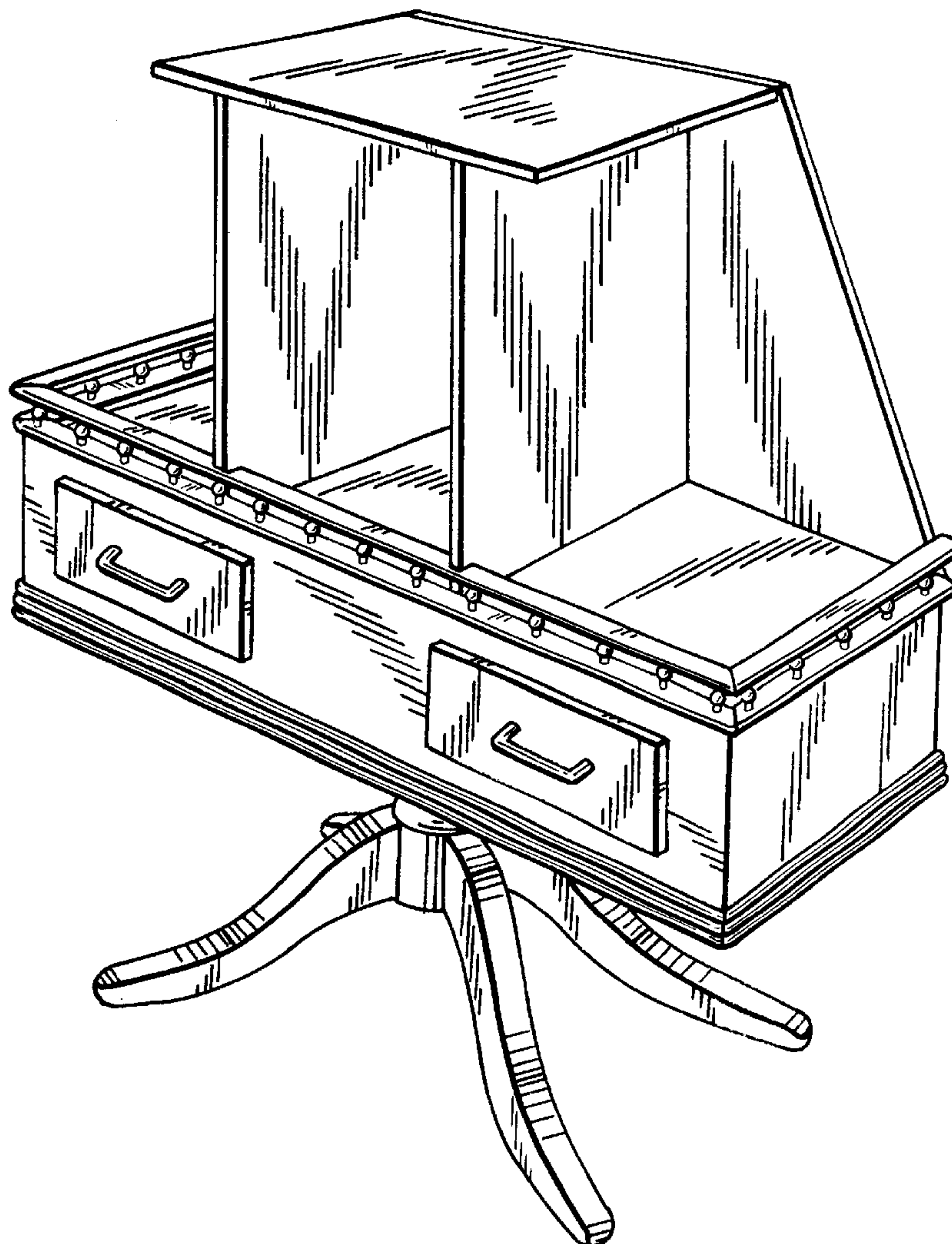
FIG. 3 is a top plan view thereof;

FIG. 4 is a left side view thereof (the right side being symmetrical therewith);

FIG. 5 is a back view thereof; and,

FIG. 6 is a bottom plan view thereof.

1 Claim, 5 Drawing Sheets



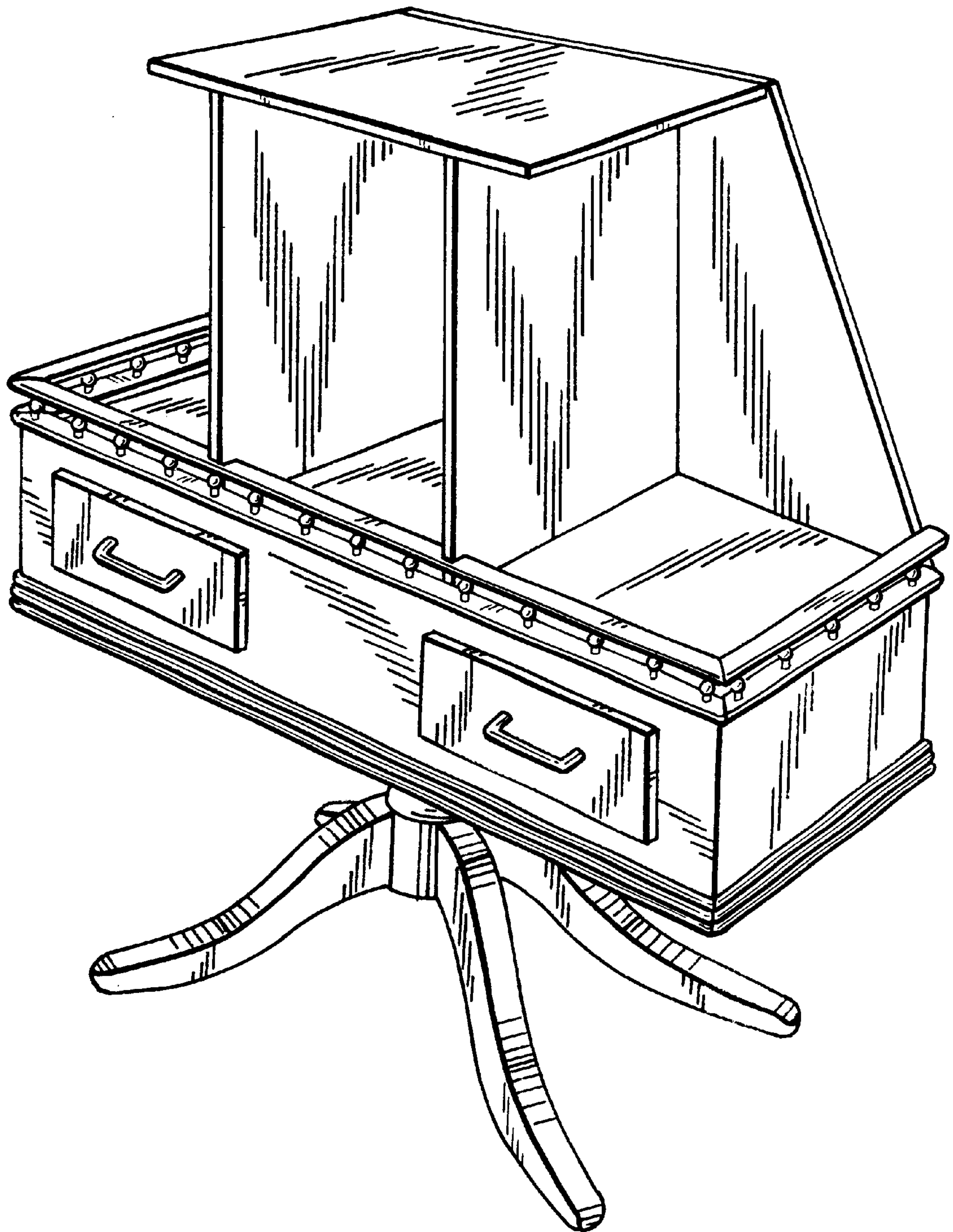


FIG. 1

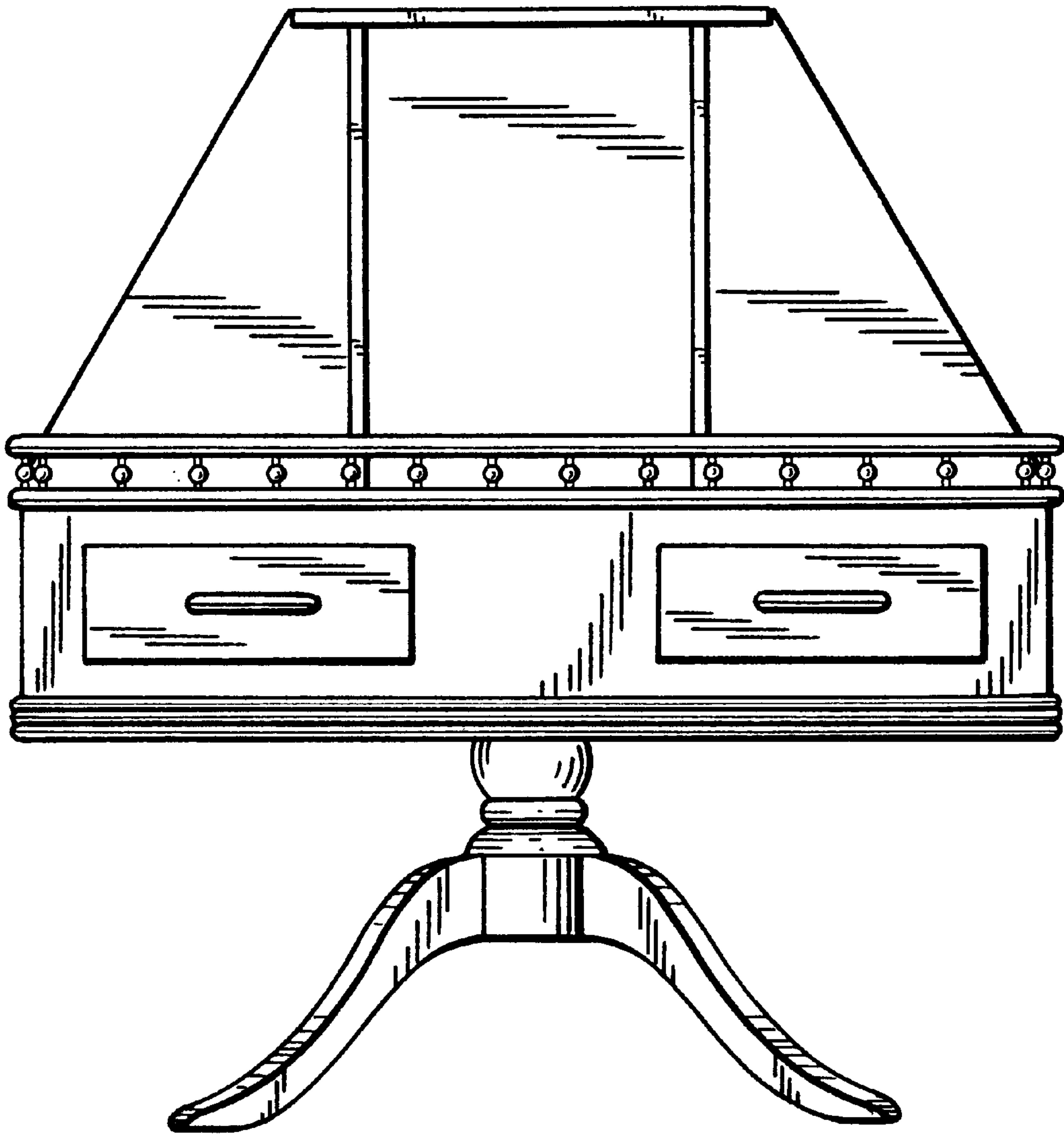


FIG. 2

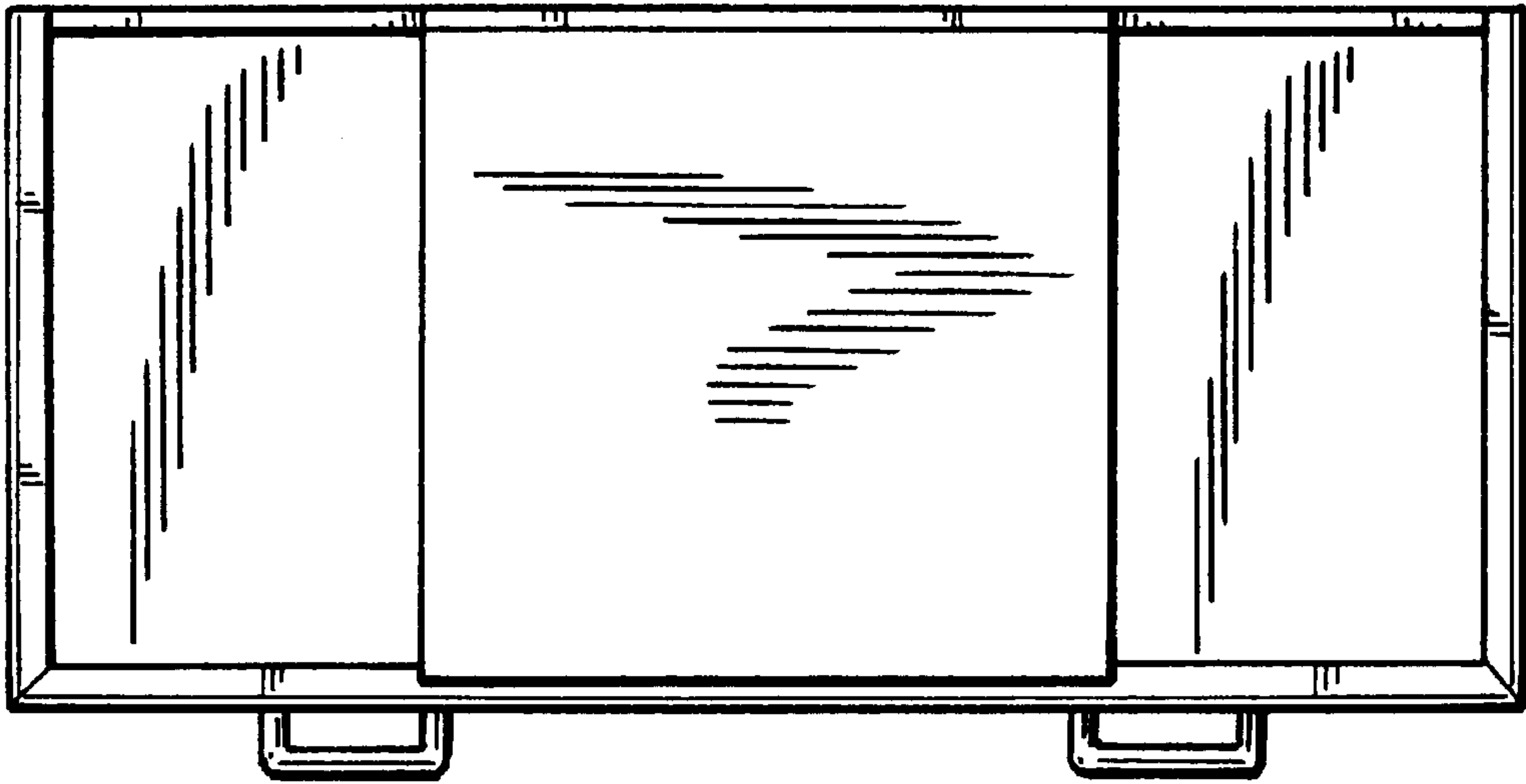


FIG. 3

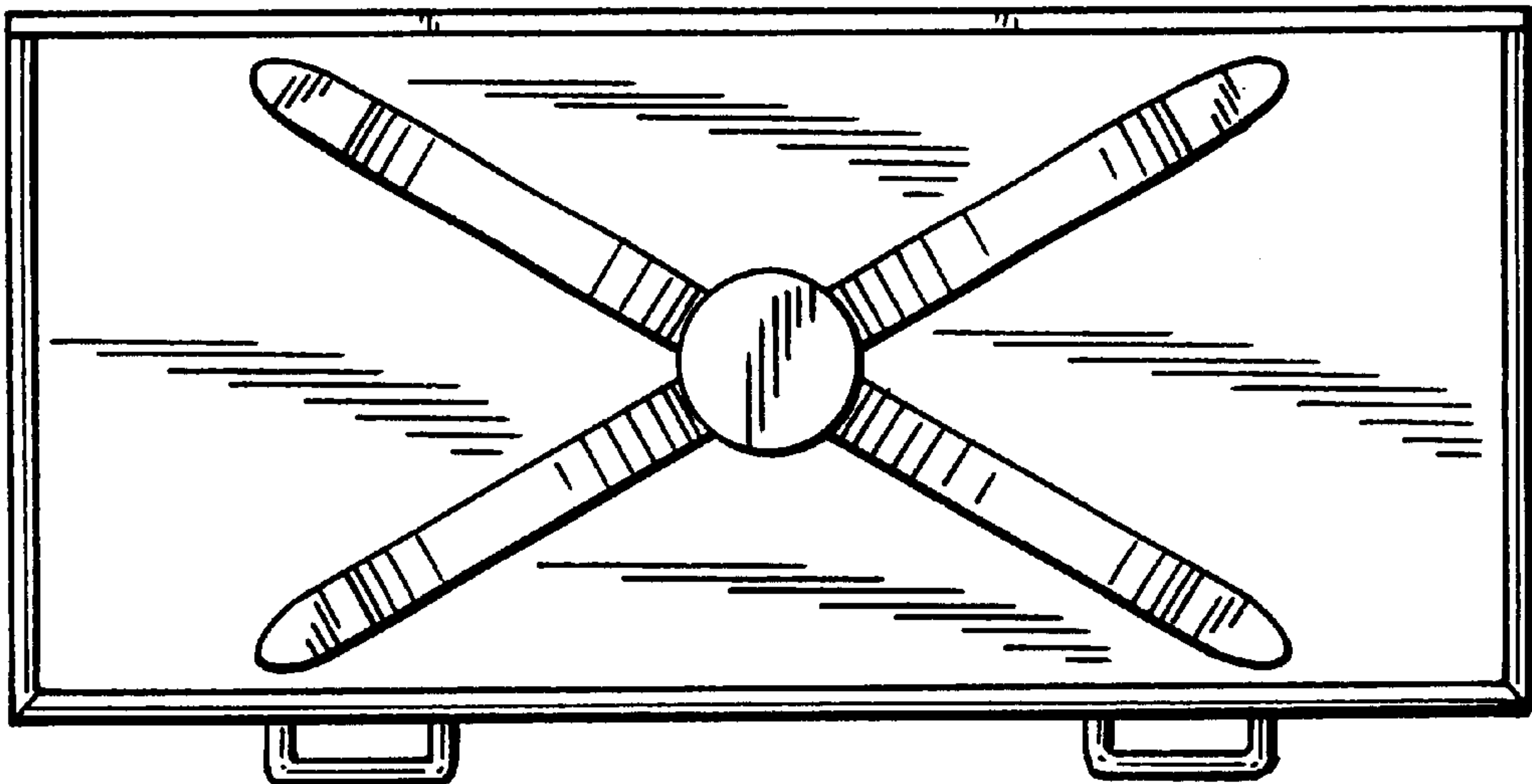
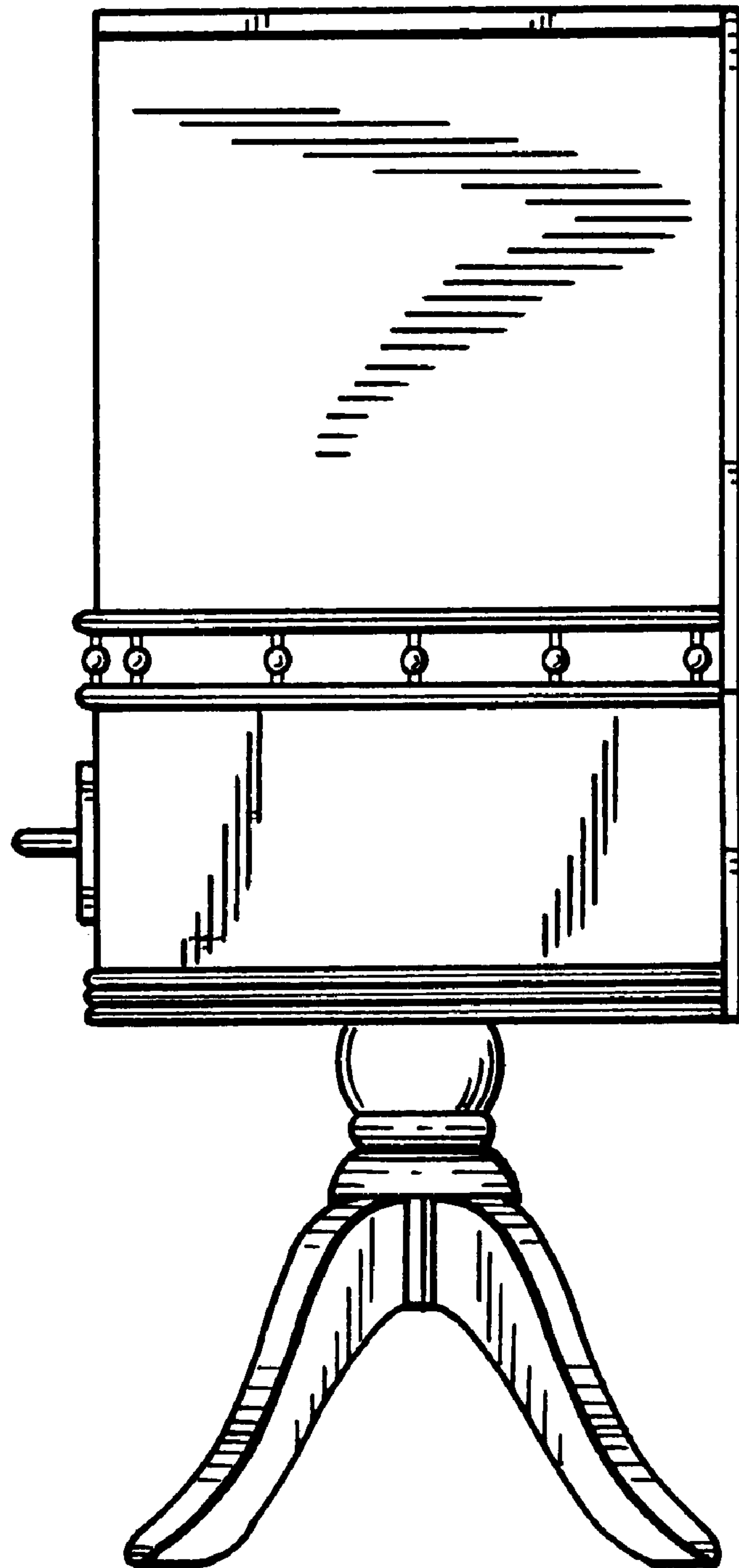


FIG. 6

FIG. 4



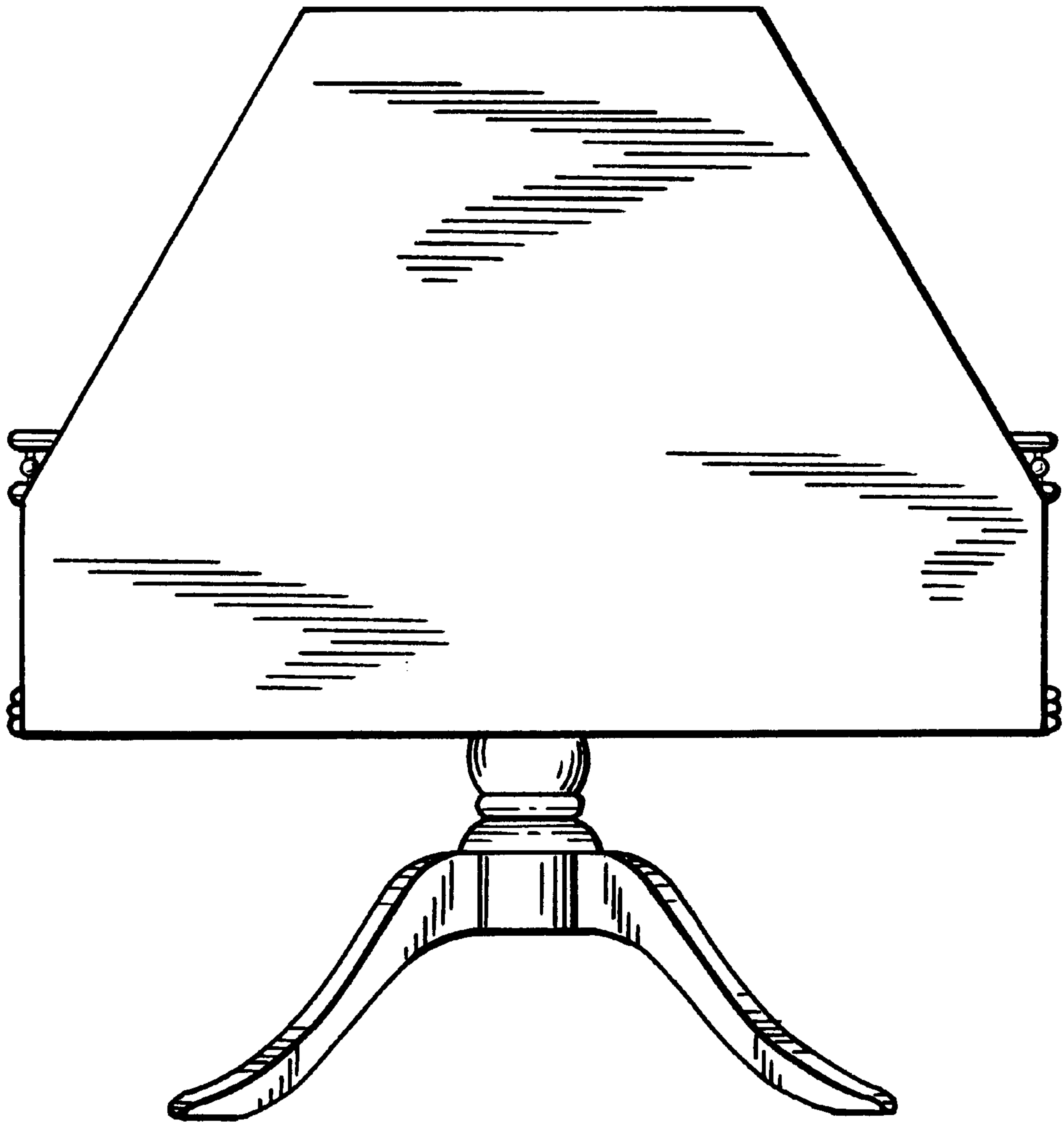


FIG. 5