



US00D444314S

(12) **United States Design Patent**  
**Cox**

(10) **Patent No.:** **US D444,314 S**

(45) **Date of Patent:** **\*\* Jul. 3, 2001**

(54) **MERCHANDISING CABINET**

(76) **Inventor:** **Bruce W. Cox**, 701 1st Ave. N., P.O. Box 307, Altoona, IA (US) 50009

(\*\*) **Term:** **14 Years**

(21) **Appl. No.:** **29/130,941**

(22) **Filed:** **Oct. 11, 2000**

(51) **LOC (7) Cl.** ..... **06-04**

(52) **U.S. Cl.** ..... **D6/436**

(58) **Field of Search** ..... D6/396, 425, 432, D6/436, 438, 439; 186/38, 44; 312/236, 224, 249.8

(56) **References Cited**

**U.S. PATENT DOCUMENTS**

D. 202,865	*	11/1965	Brookshire	.....	D6/438
D. 249,611	*	9/1978	Burton	.....	D6/436
D. 252,243	*	7/1979	Reitman	.....	D6/437
D. 296,800	*	7/1988	Benedetto et al.	.....	D6/425 X
D. 305,485	*	1/1990	Zalesak	.....	D6/438
D. 326,967	*	6/1992	Bardelang	.....	D6/436
5,281,016	*	1/1994	Brague	.....	312/249.8 X
5,577,817	*	11/1996	Reynolds	.....	312/249.8 X

\* cited by examiner

*Primary Examiner*—Cathron C. Brooks

(74) *Attorney, Agent, or Firm*—Henderson & Sturm LLP

(57) **CLAIM**

The ornamental design for a merchandising cabinet, as shown and described.

**DESCRIPTION**

A portion of the disclosure of this patent document, including appendices, may contain material which is subject to copyright protection. The copyright owner has no objection to the facsimile reproduction by anyone of the patent document or the patent disclosure, as it appears in the Patent and Trademark Office patent file or records, but otherwise reserves all copyright rights whatsoever.

FIG. 1 is a perspective view of a merchandising cabinet showing my new design, the broken lines show places for vents, microwave ovens and doors but form no part of the claimed design;

FIG. 2 is a reduced front view thereof;

FIG. 3 is a reduced side view showing one side thereof;

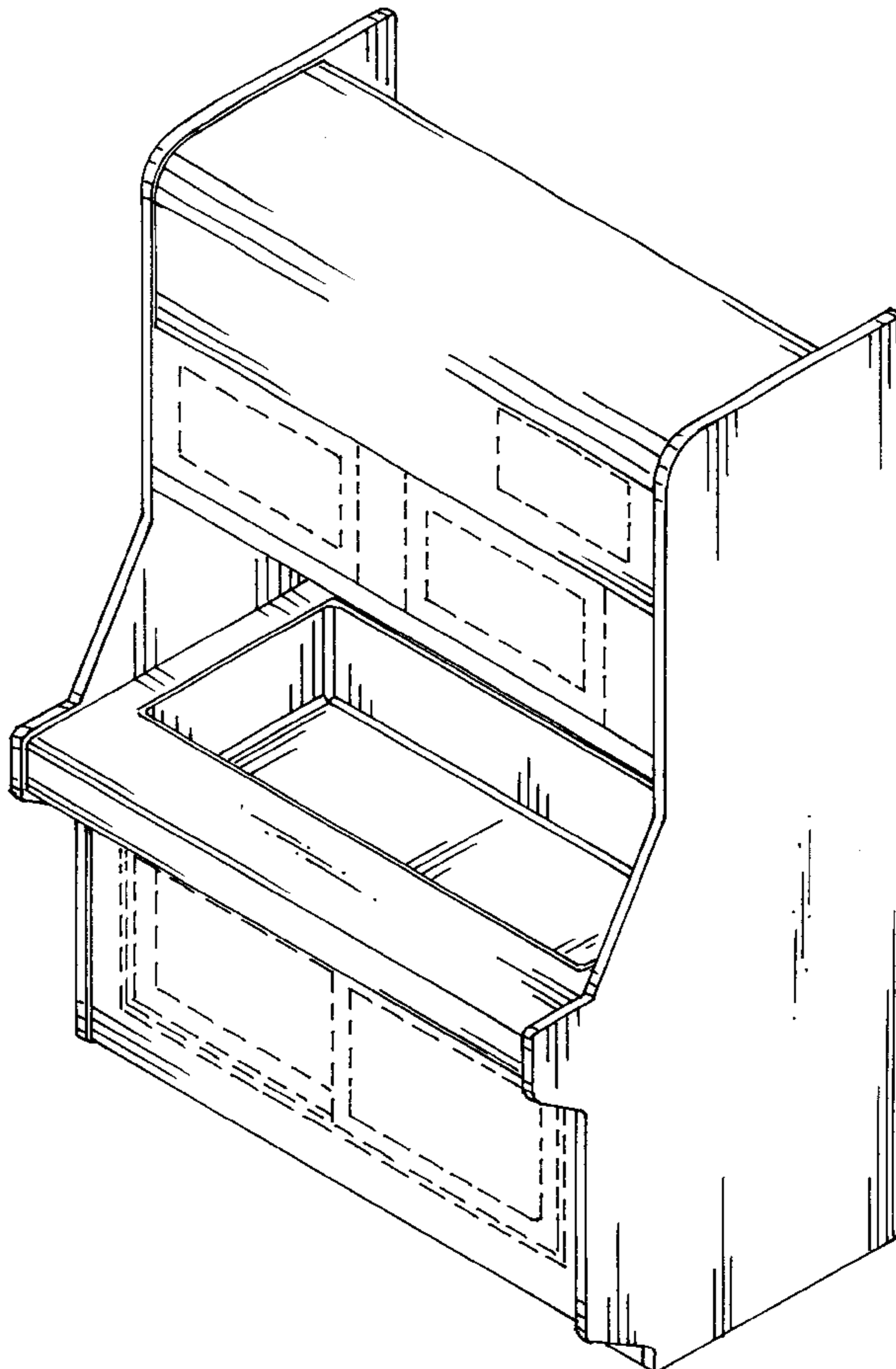
FIG. 4 is a reduced side view showing the other side thereof;

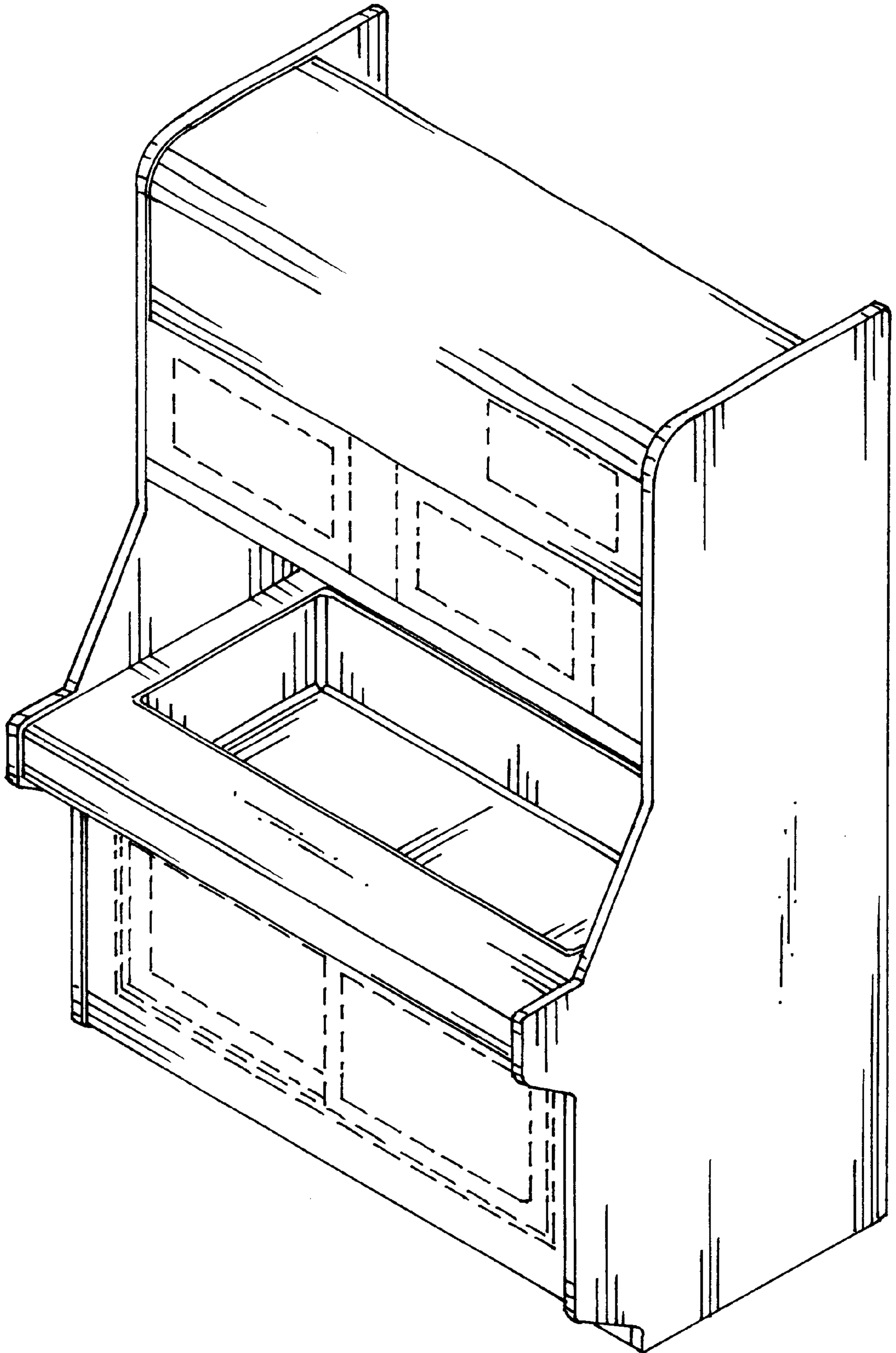
FIG. 5 is a reduced rear view thereof;

FIG. 6 is a reduced top view; and,

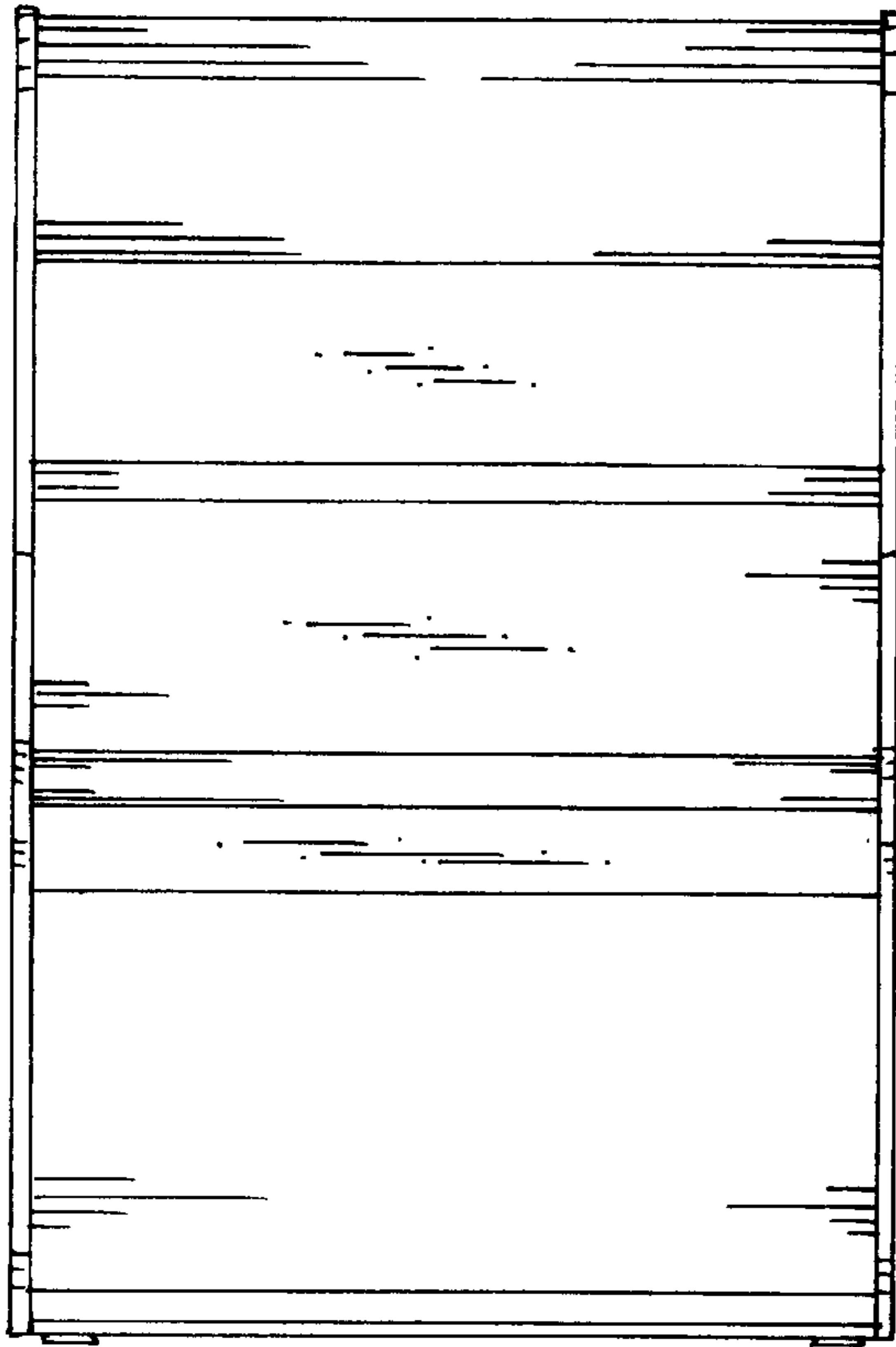
FIG. 7 is a reduced bottom view.

**1 Claim, 3 Drawing Sheets**

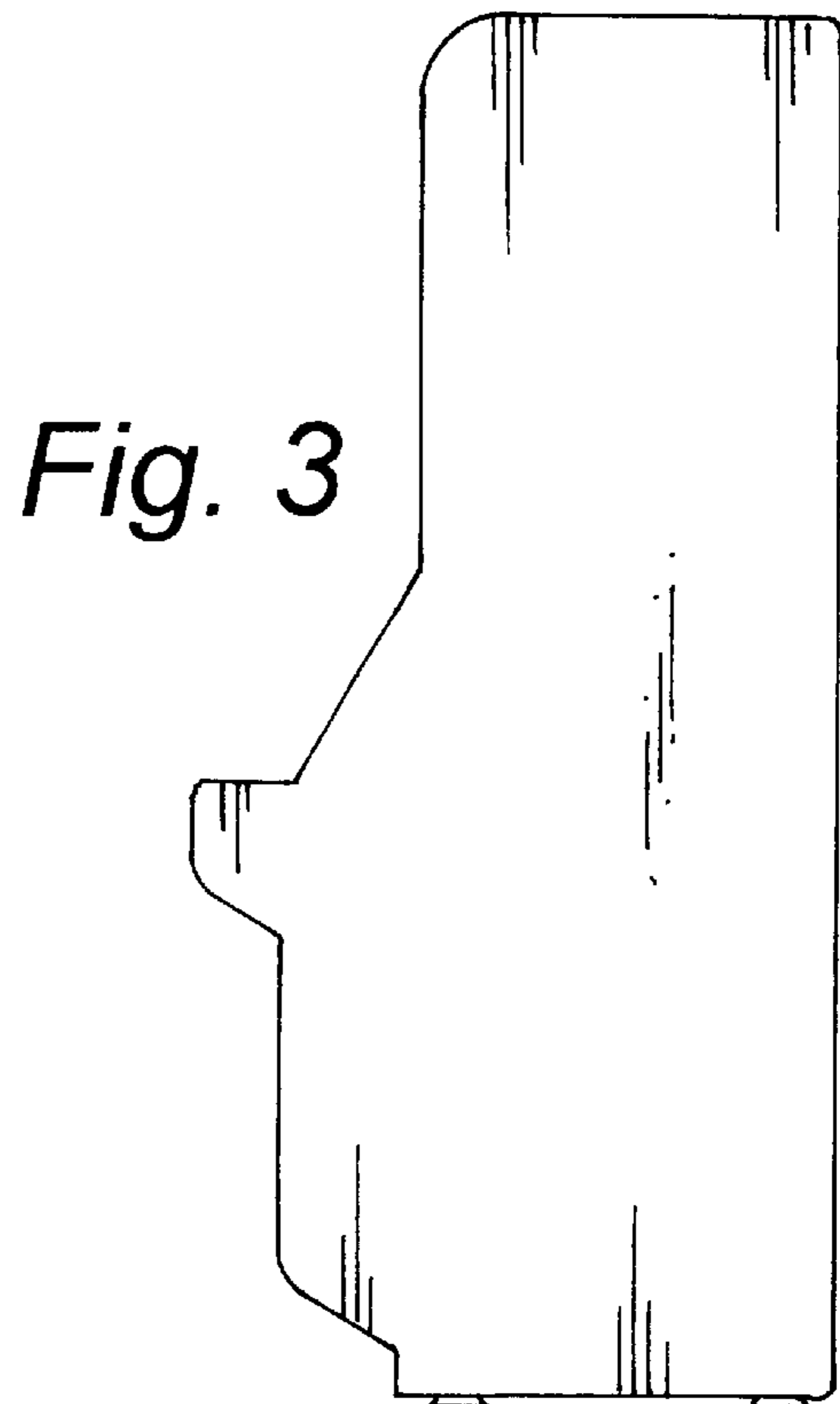




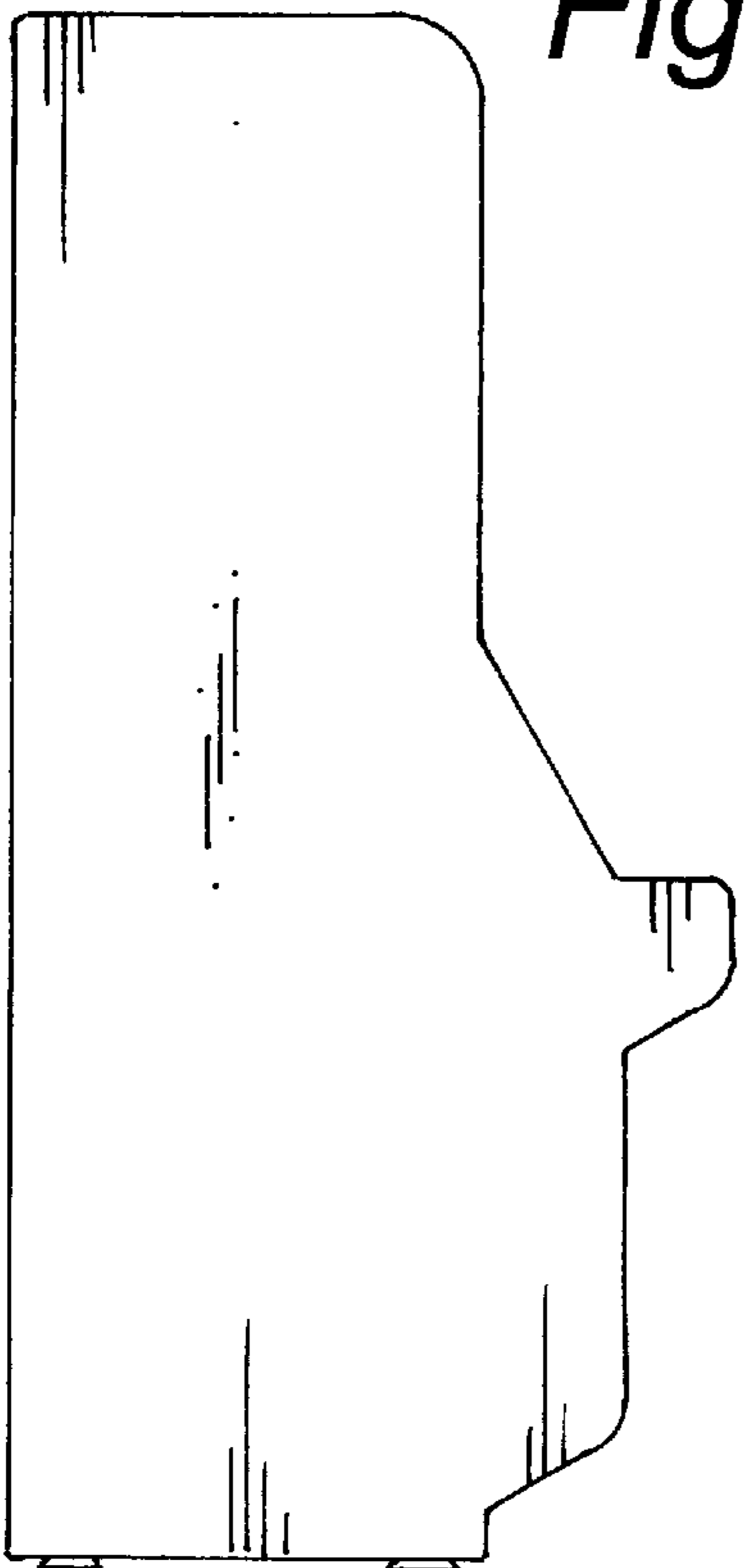
*Fig. 1*



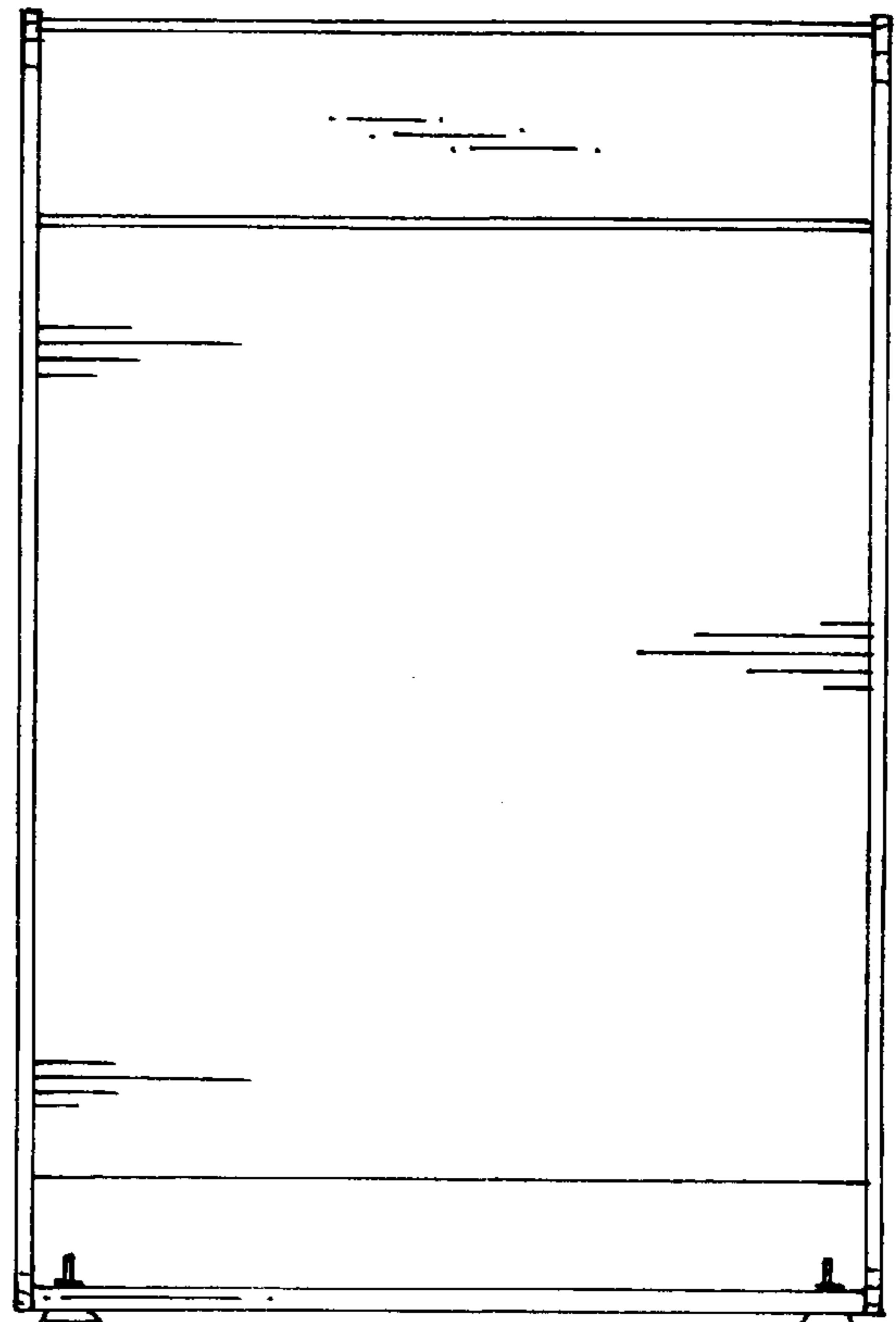
*Fig. 2*



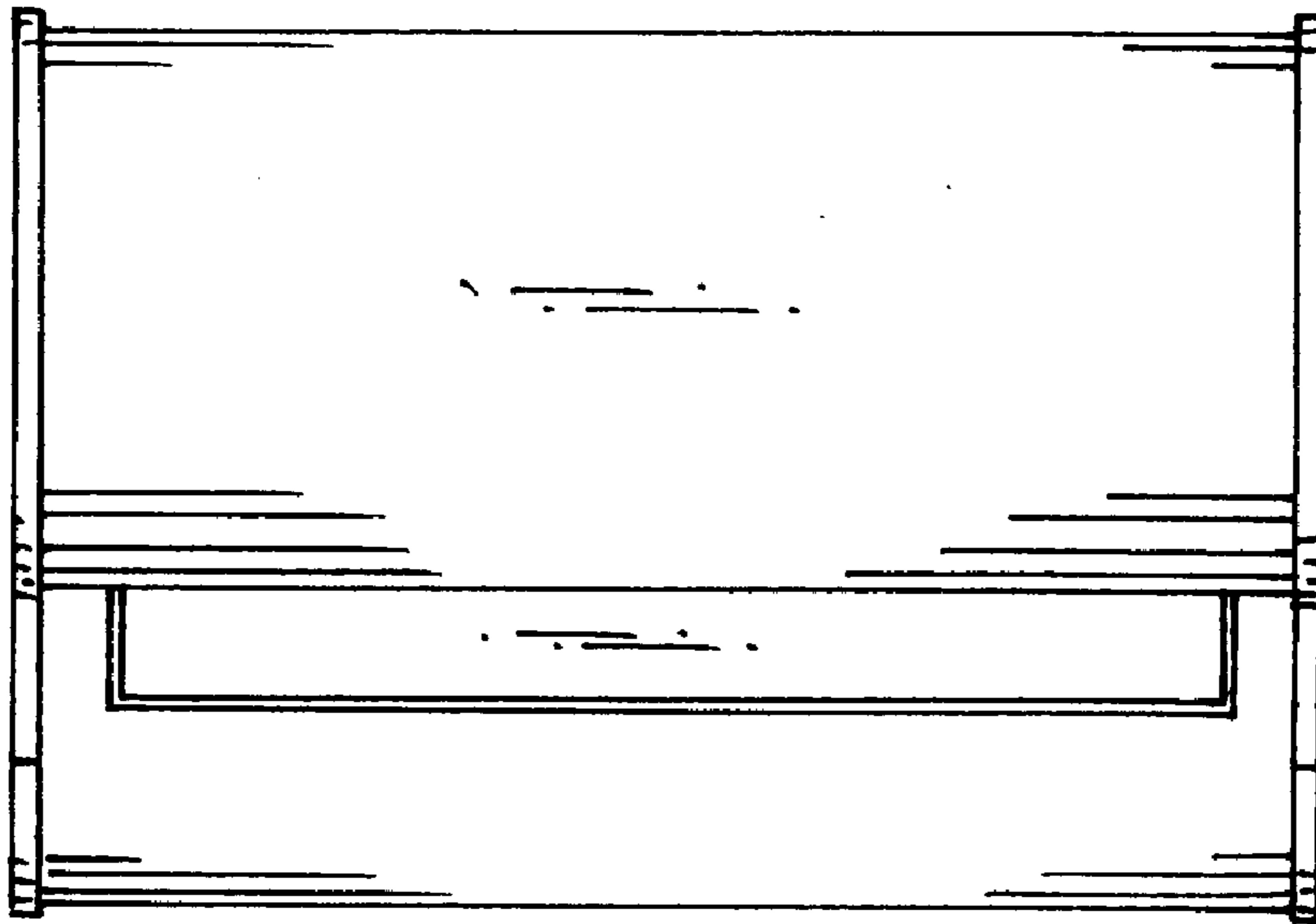
*Fig. 3*



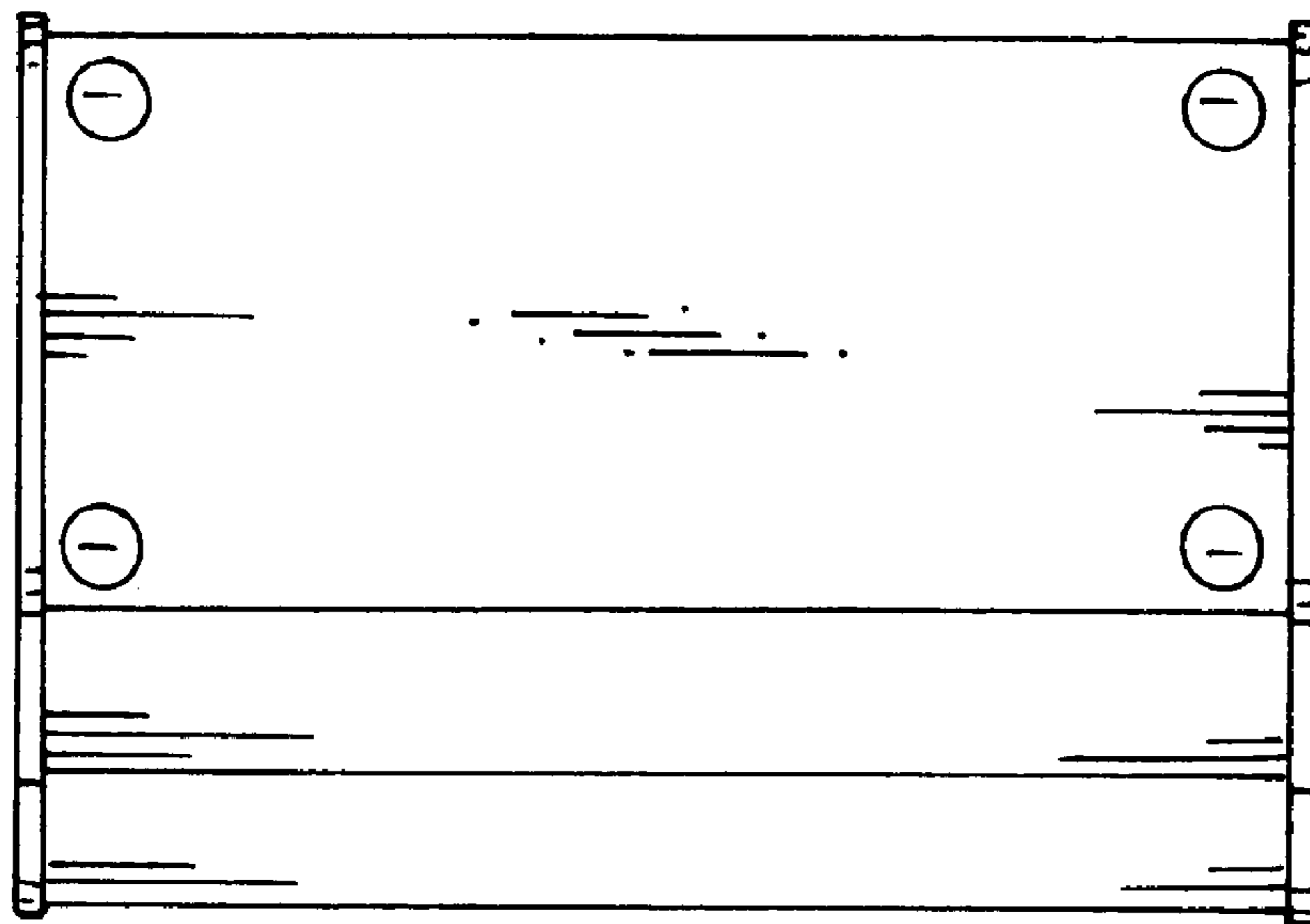
*Fig. 4*



*Fig. 5*



*Fig. 6*



*Fig. 7*