



US00D444308S

(12) **United States Design Patent**
Ooyama

(10) **Patent No.:** **US D444,308 S**

(45) **Date of Patent:** **** Jul. 3, 2001**

(54) **SEAT FOR BARBER OR BEAUTY CHAIR**

(75) Inventor: **Kazuo Ooyama, Osaka (JP)**

(73) Assignee: **Oohiro Works, Ltd., Osaka (JP)**

(**) Term: **14 Years**

(21) Appl. No.: **29/126,731**

(22) Filed: **Jul. 21, 2000**

(30) **Foreign Application Priority Data**

Jan. 31, 2000 (JP) 12-001337

(51) **LOC (7) Cl.** **06-01**

(52) **U.S. Cl.** **D6/360; D6/500**

(58) **Field of Search** D6/334, 335, 360,
D6/364, 365, 366, 367, 374, 375, 379,
500-502; 297/411.2, 411.14, 411.25, 411.44,
423.1, 423.19, 423.25, 411.27, 411.28

(56) **References Cited**

U.S. PATENT DOCUMENTS

- D. 256,967 * 9/1980 Hirota D6/360
- D. 354,176 * 1/1995 Schwaegerle et al. D6/360
- D. 355,303 * 2/1995 Scheper et al. D6/366
- D. 390,712 * 2/1998 Koepke et al. D6/366
- D. 395,762 * 7/1998 Saul D6/366

- D. 409,022 * 5/1999 Vanderwood et al. D6/500
- D. 418,316 * 1/2000 Vogtherr D6/366
- D. 422,802 * 4/2000 Deacon D6/366
- D. 425,715 * 5/2000 Breen D6/366
- D. 429,584 * 8/2000 Brettschneider et al. D6/500
- D. 433,853 * 11/2000 Shamir D6/500

* cited by examiner

Primary Examiner—Doris V. Coles

Assistant Examiner—Mimosa De

(74) *Attorney, Agent, or Firm*—Burr & Brown

(57) **CLAIM**

The ornamental design for a seat for barber or beauty chair, as shown and described.

DESCRIPTION

FIG. 1 is a front view of a seat for barber or beauty chair in accordance with my new design;
 FIG. 2 is a back view thereof;
 FIG. 3 is a right side view thereof, the left side view being a mirror image thereof;
 FIG. 4 is a top view thereof;
 FIG. 5 is a bottom view thereof;
 FIG. 6 is a front perspective view; and,
 FIG. 7 is a rear perspective view.

1 Claim, 4 Drawing Sheets

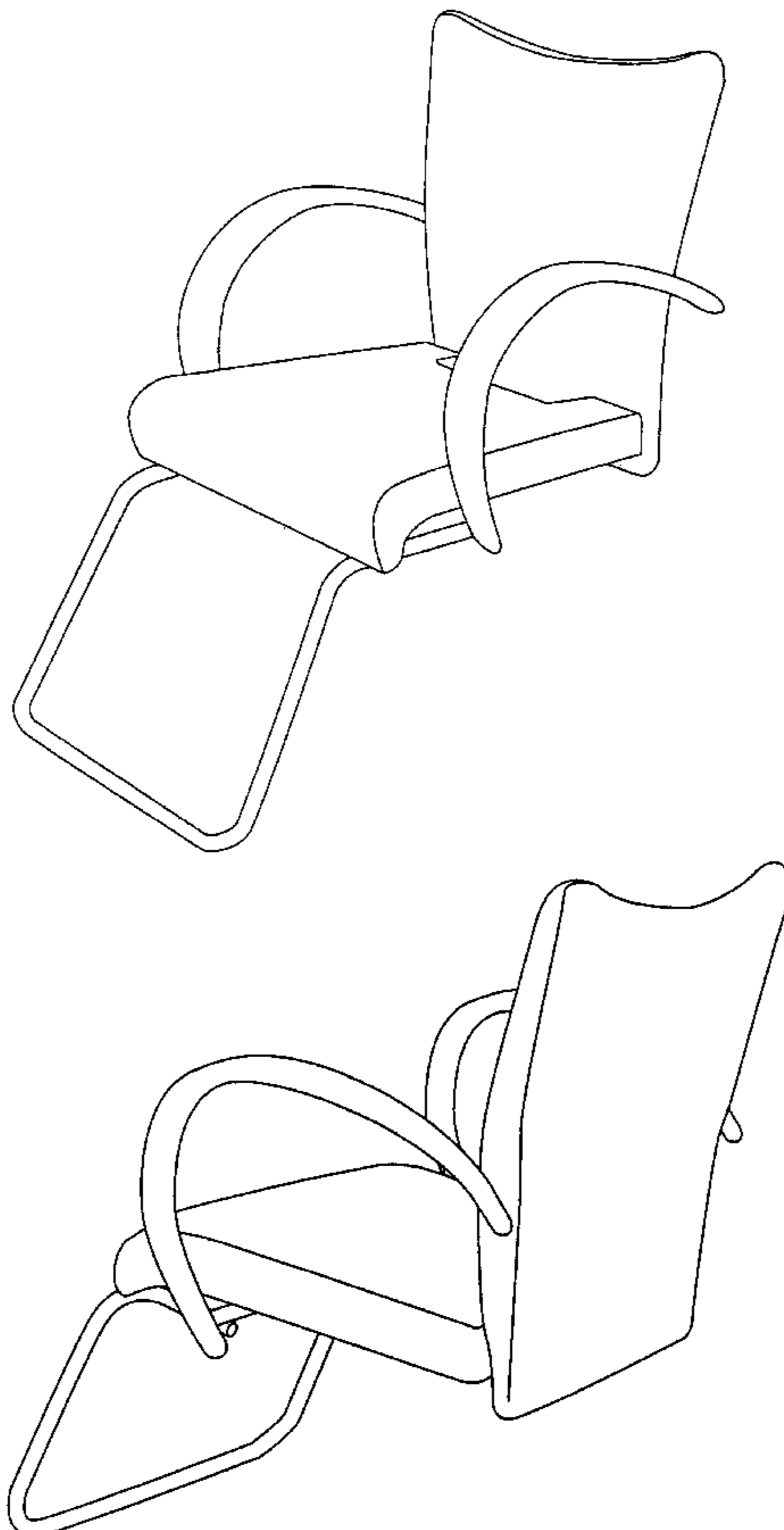


Fig.1

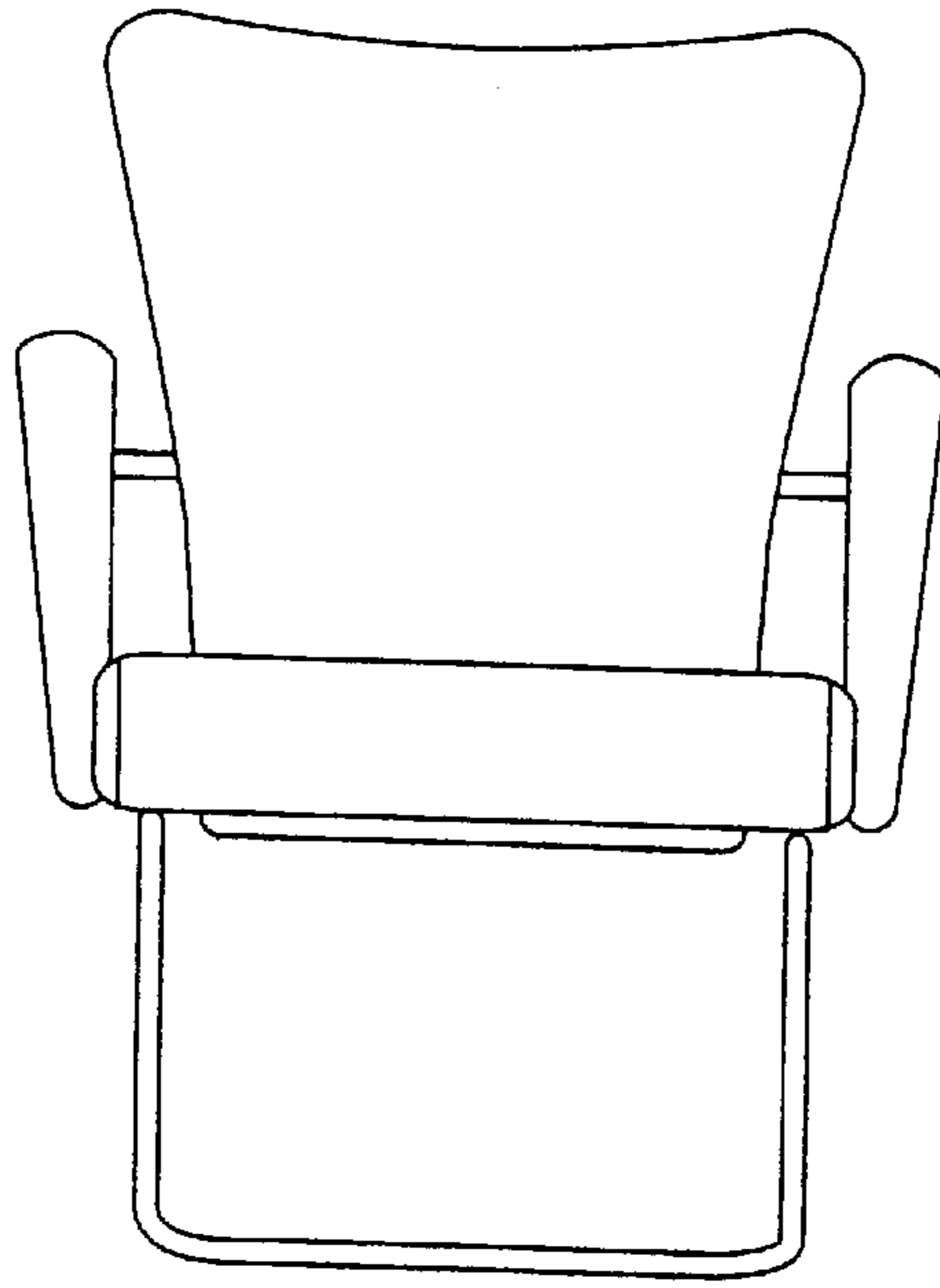


Fig.2

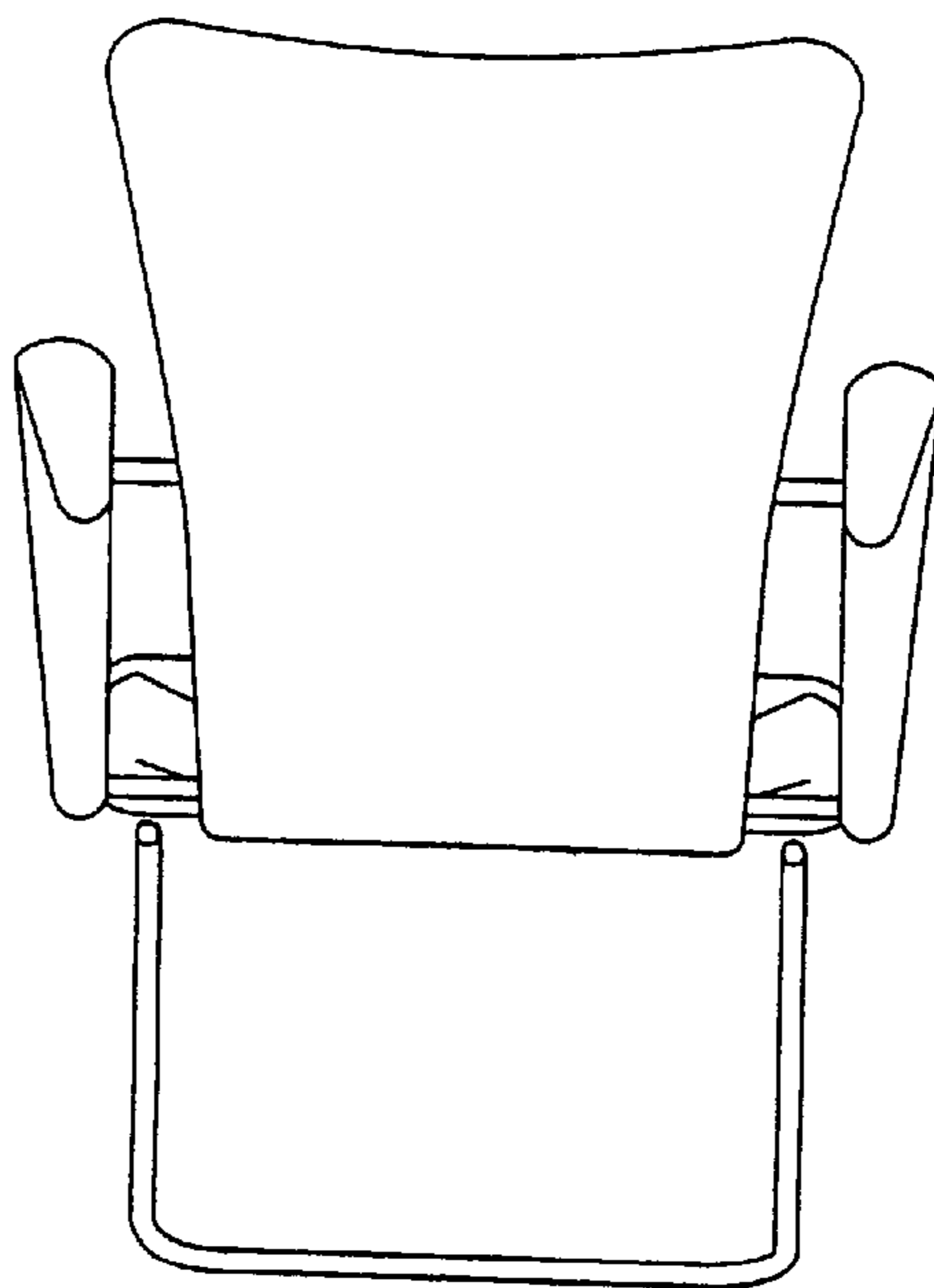


Fig.3

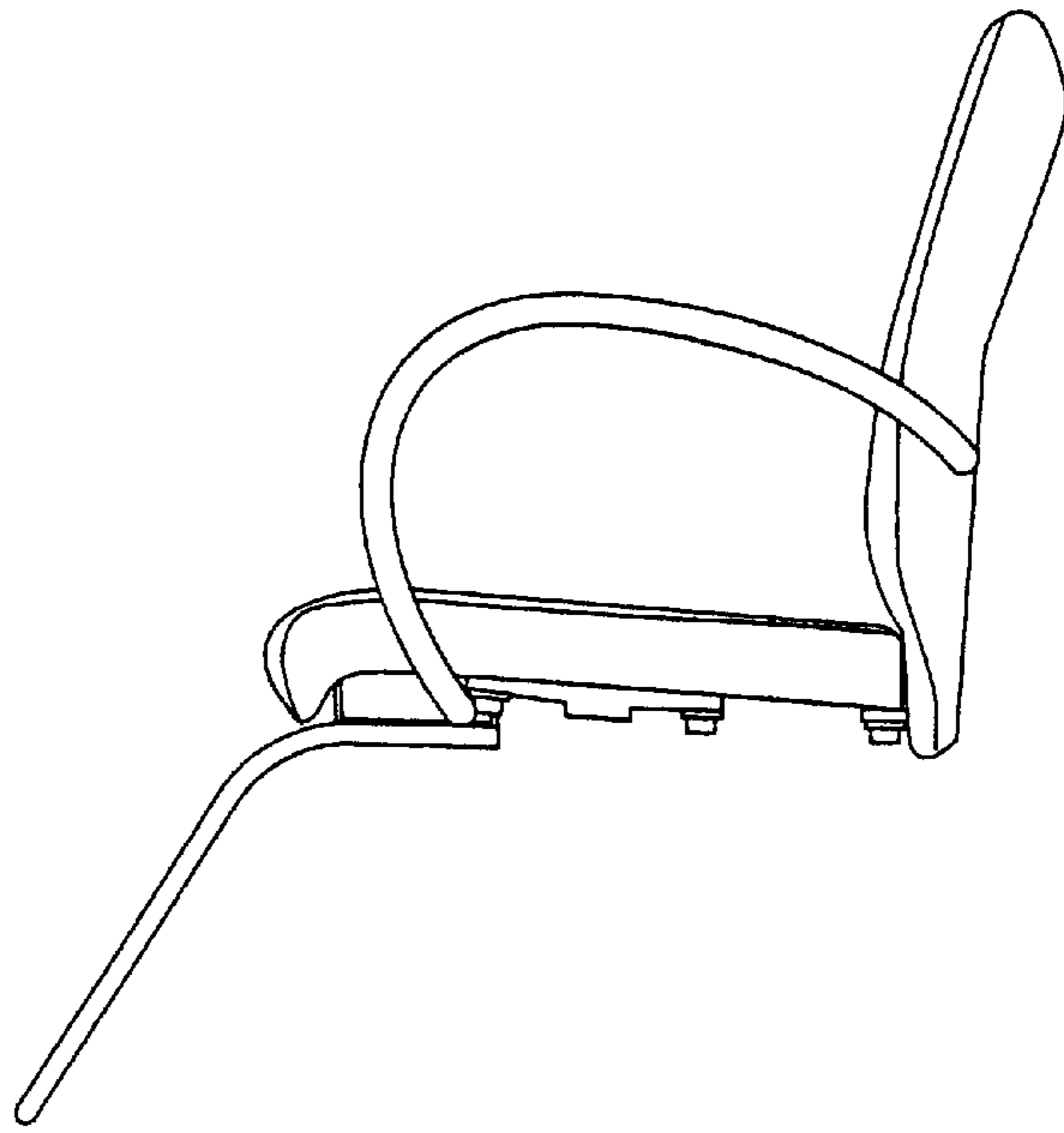


Fig.4

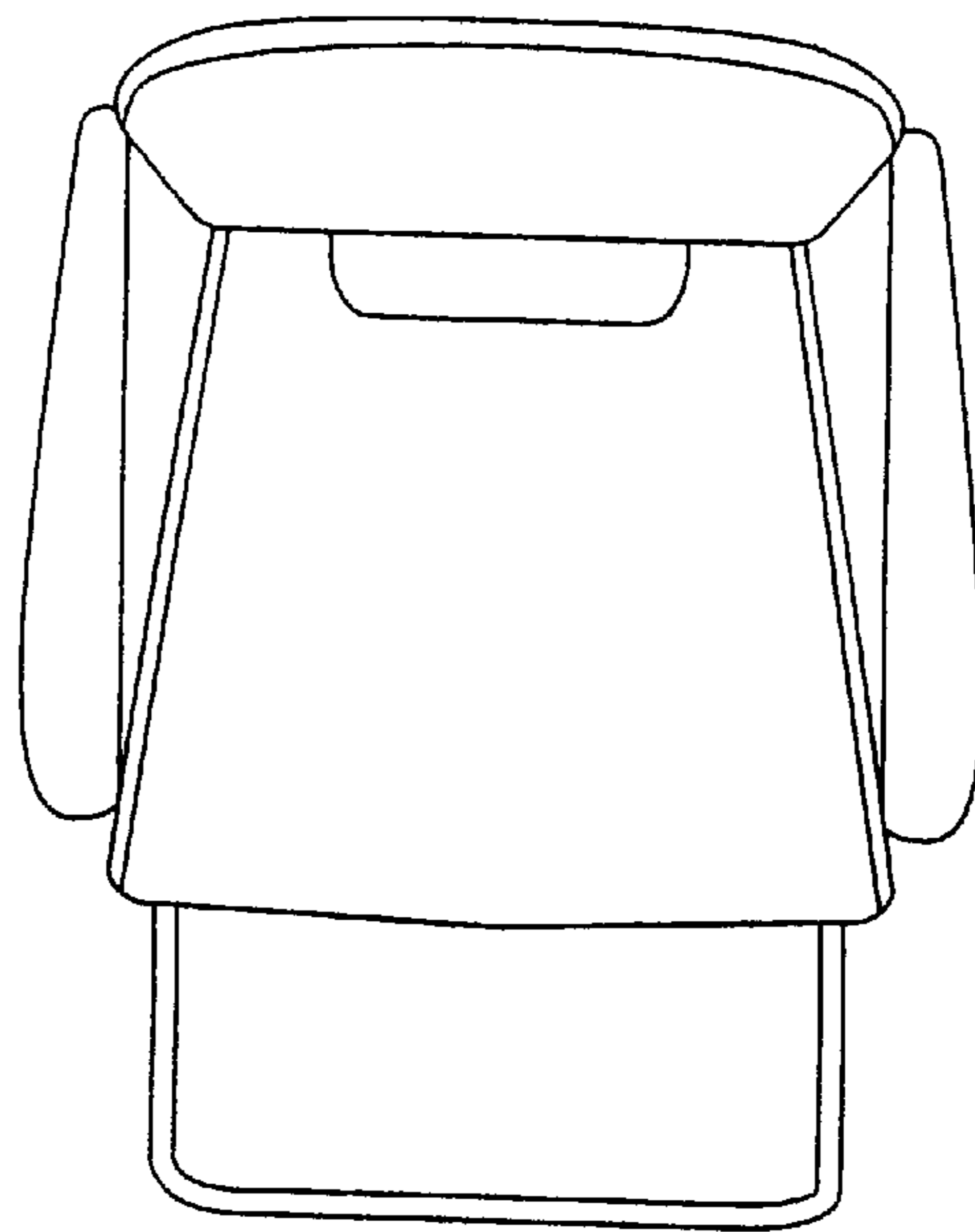


Fig.5

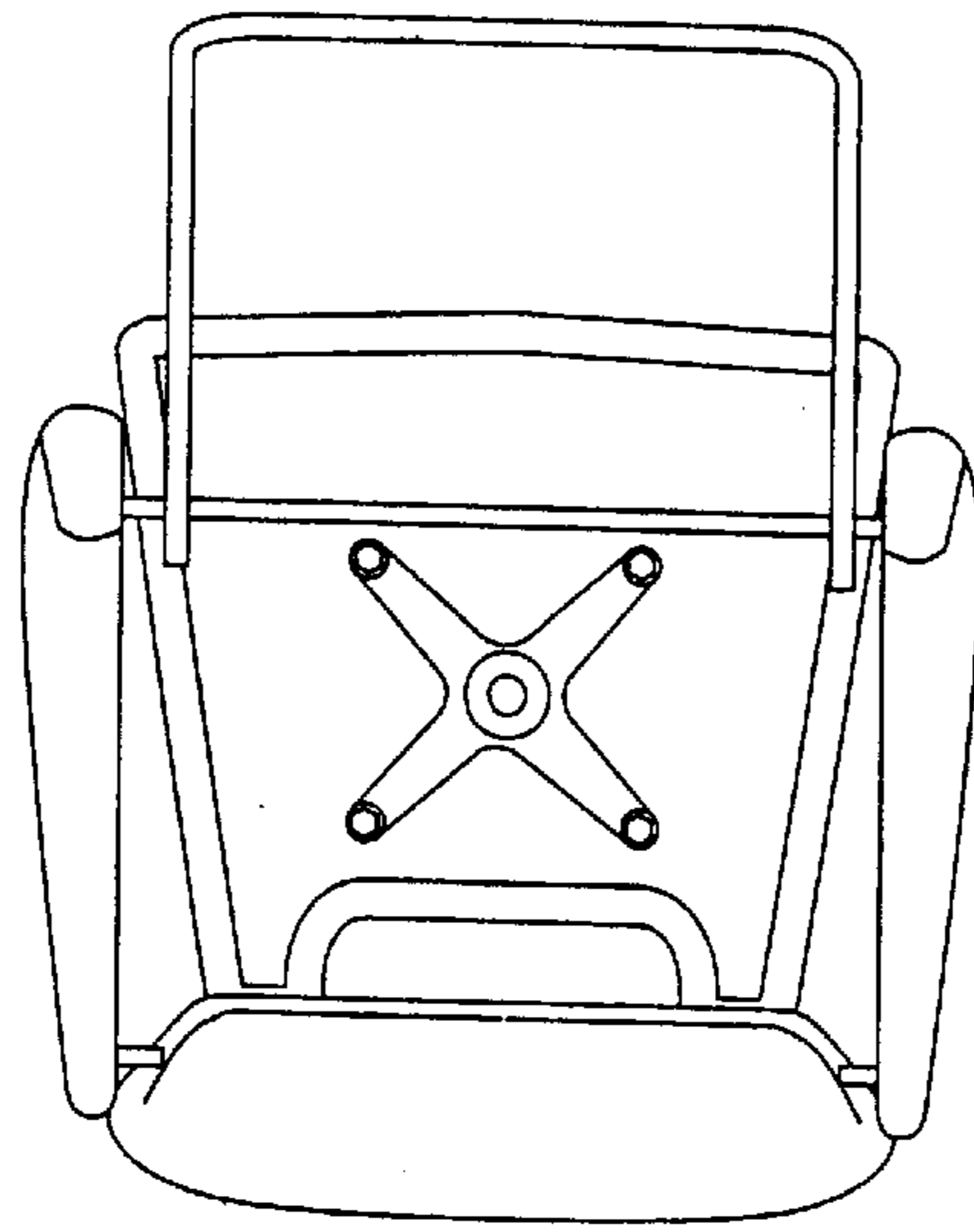


Fig.6

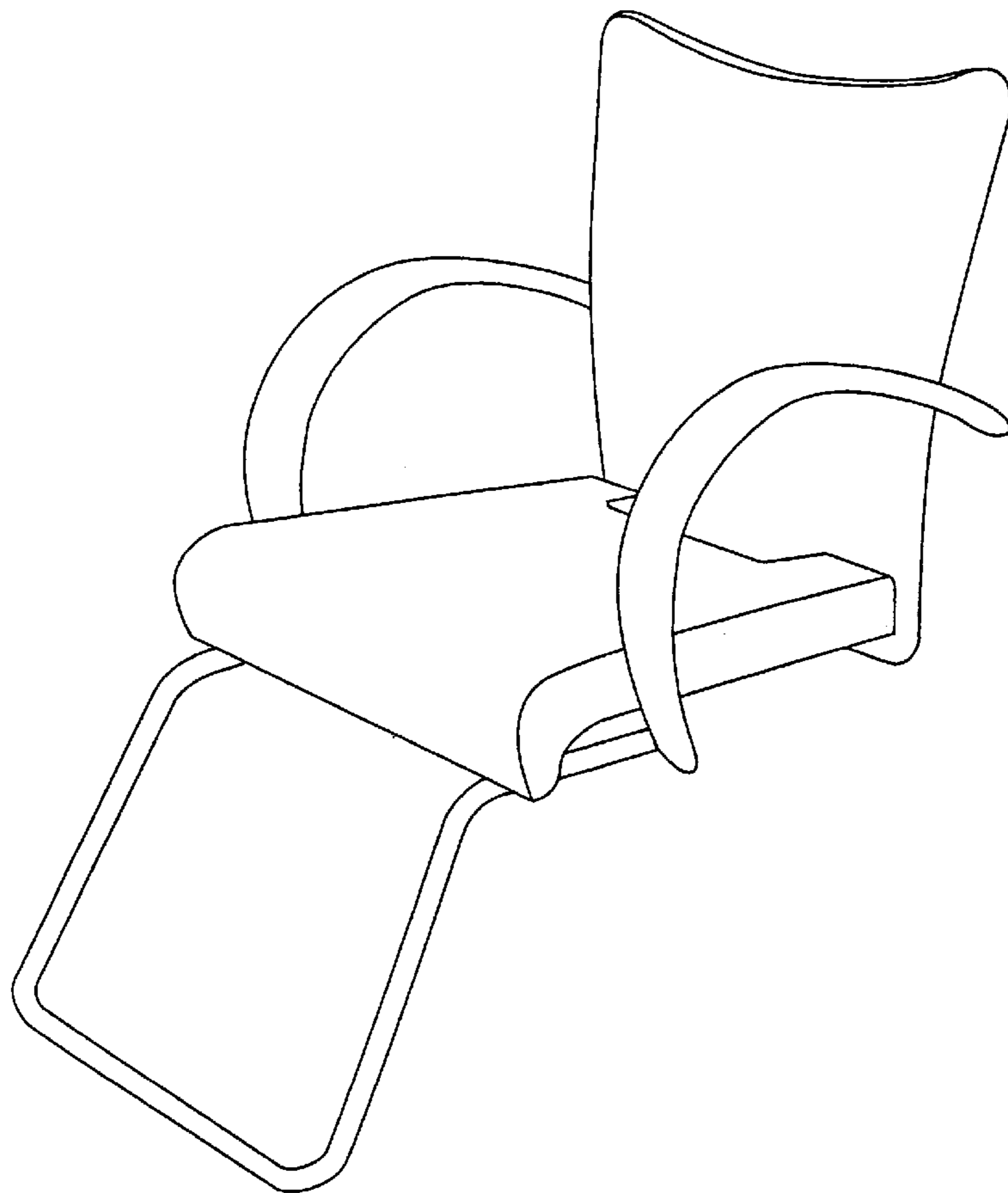


Fig.7

