



US00D444307S

(12) **United States Design Patent**
Minami

(10) **Patent No.:** **US D444,307 S**

(45) **Date of Patent:** **** Jul. 3, 2001**

(54) **SEAT FOR BARBER OR BEAUTY CHAIR**

(75) Inventor: **Nobuyuki Minami**, Osaka (JP)

(73) Assignee: **Oohiro Works, Ltd.**, Osaka (JP)

(**) Term: **14 Years**

(21) Appl. No.: **29/126,722**

(22) Filed: **Jul. 21, 2000**

(30) **Foreign Application Priority Data**

Jan. 31, 2000 (JP) 12-001334

(51) **LOC (7) Cl.** **06-01**

(52) **U.S. Cl.** **D6/360; D6/500**

(58) **Field of Search** D6/334-336, 364-367,
D6/374, 375, 379, 500-502; 297/411.2,
411.14, 411.25, 411.44, 423.1, 423.19,
423.25, 411.27, 411.28

(56) **References Cited**

U.S. PATENT DOCUMENTS

- D. 40,231 * 8/1909 Pfanschmidt D6/360
- D. 192,419 * 3/1962 Sullivan D6/360
- D. 309,382 * 7/1990 Buhk D6/360
- D. 331,154 * 11/1992 Sheridan D6/366
- D. 346,909 * 5/1994 Obata et al. D6/366

- D. 353,718 * 12/1994 Olson D6/366
- D. 390,384 * 2/1998 Schultz et al. D6/500
- D. 420,538 * 2/2000 Arko et al. D6/500
- D. 429,422 * 8/2000 De Lucchi et al. D6/366
- D. 433,833 * 11/2000 Schultz et al. D6/366
- D. 433,834 * 11/2000 Neil D6/366

* cited by examiner

Primary Examiner—Doris V. Coles

Assistant Examiner—Mimosa De

(74) *Attorney, Agent, or Firm*—Burr & Brown

(57) **CLAIM**

The ornamental design for a seat for barber or beauty chair, as shown and described.

DESCRIPTION

FIG. 1 is a front view of a seat for barber or beauty chair in accordance with my new design;
 FIG. 2 is a back view thereof;
 FIG. 3 is a left side view thereof, the right side view being a mirror image thereof;
 FIG. 4 is a top view thereof;
 FIG. 5 is a bottom view thereof;
 FIG. 6 is a front perspective view; and,
 FIG. 7 is a rear perspective view.

1 Claim, 4 Drawing Sheets

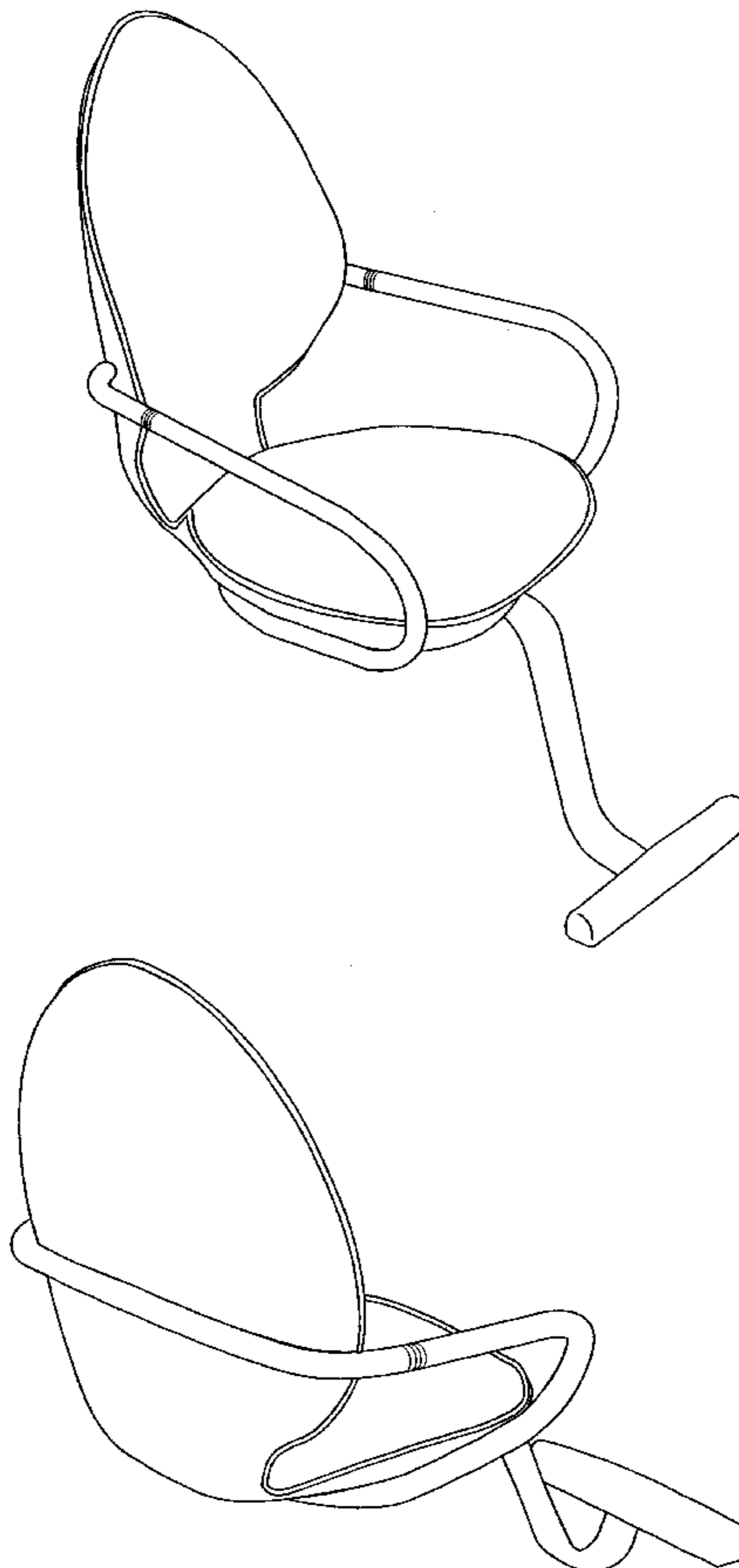


Fig.2

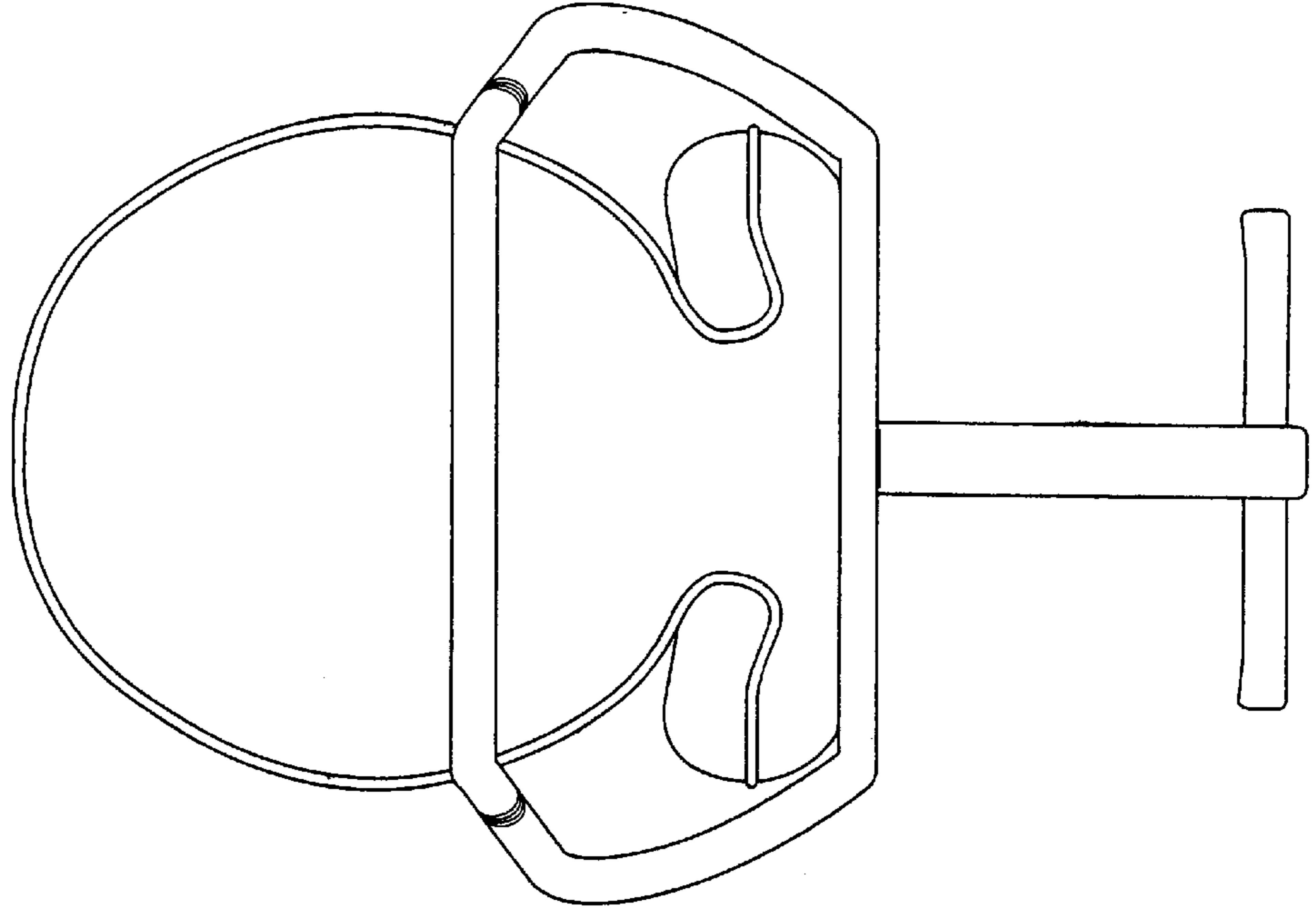


Fig.1

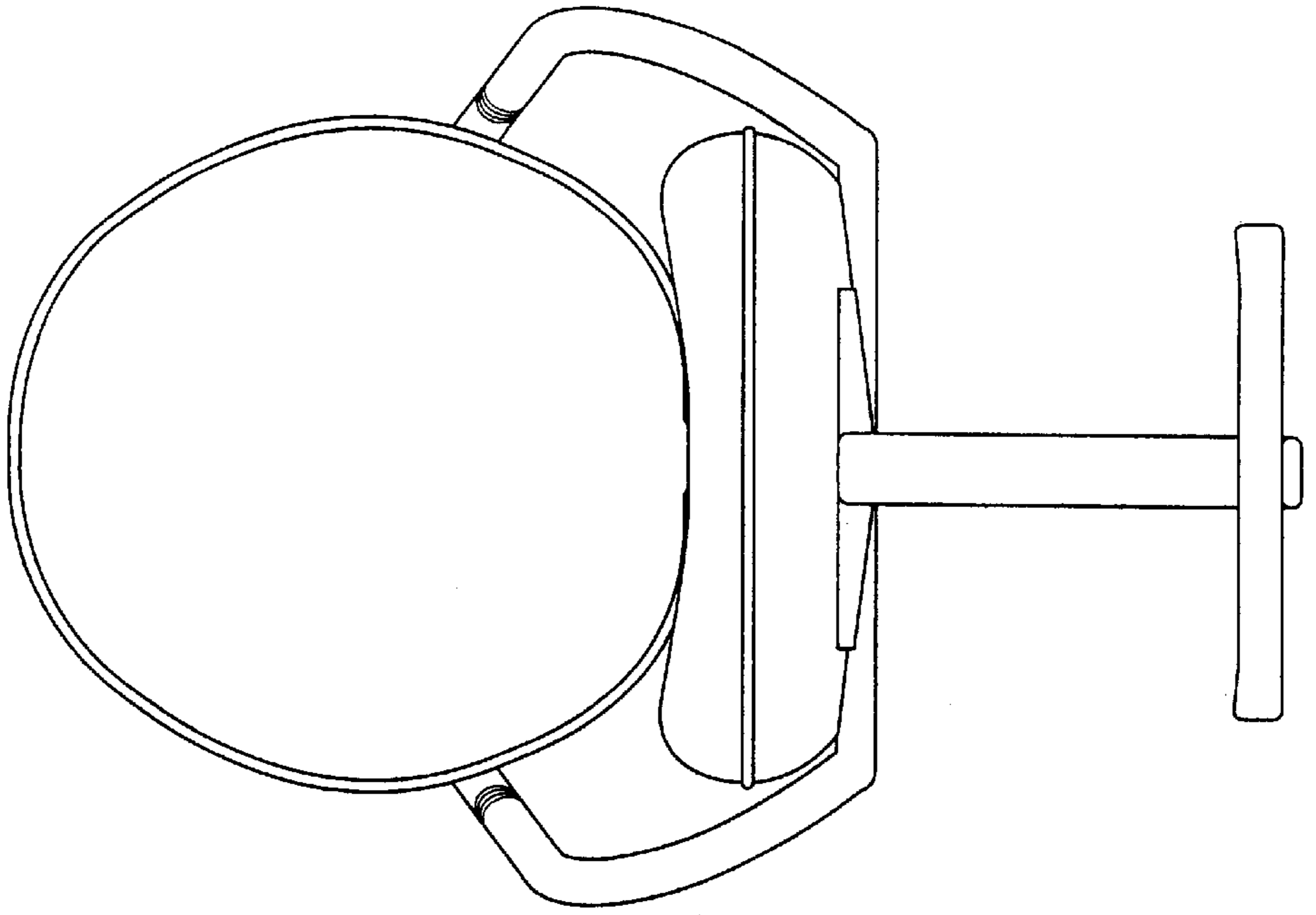


Fig.4

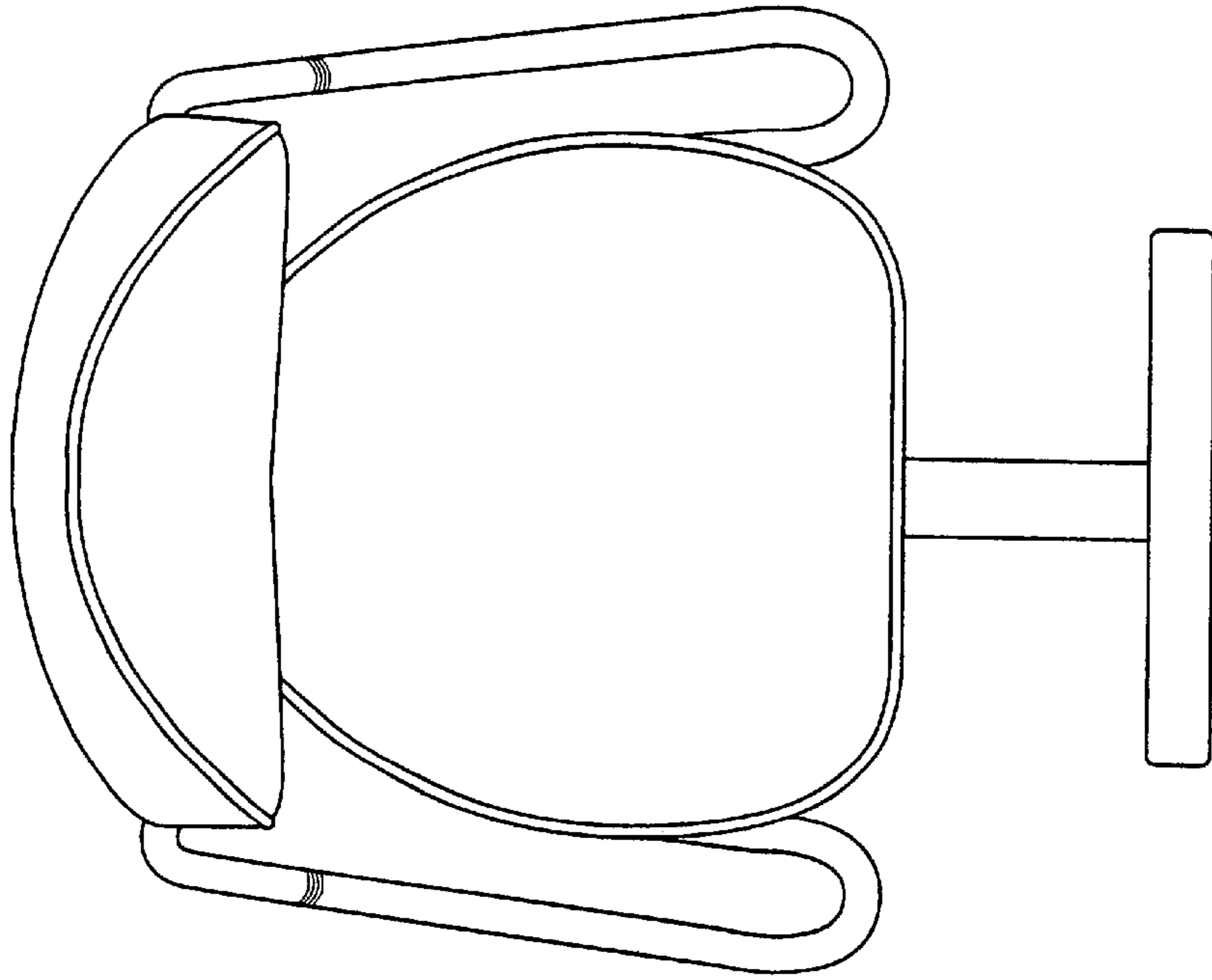


Fig.3

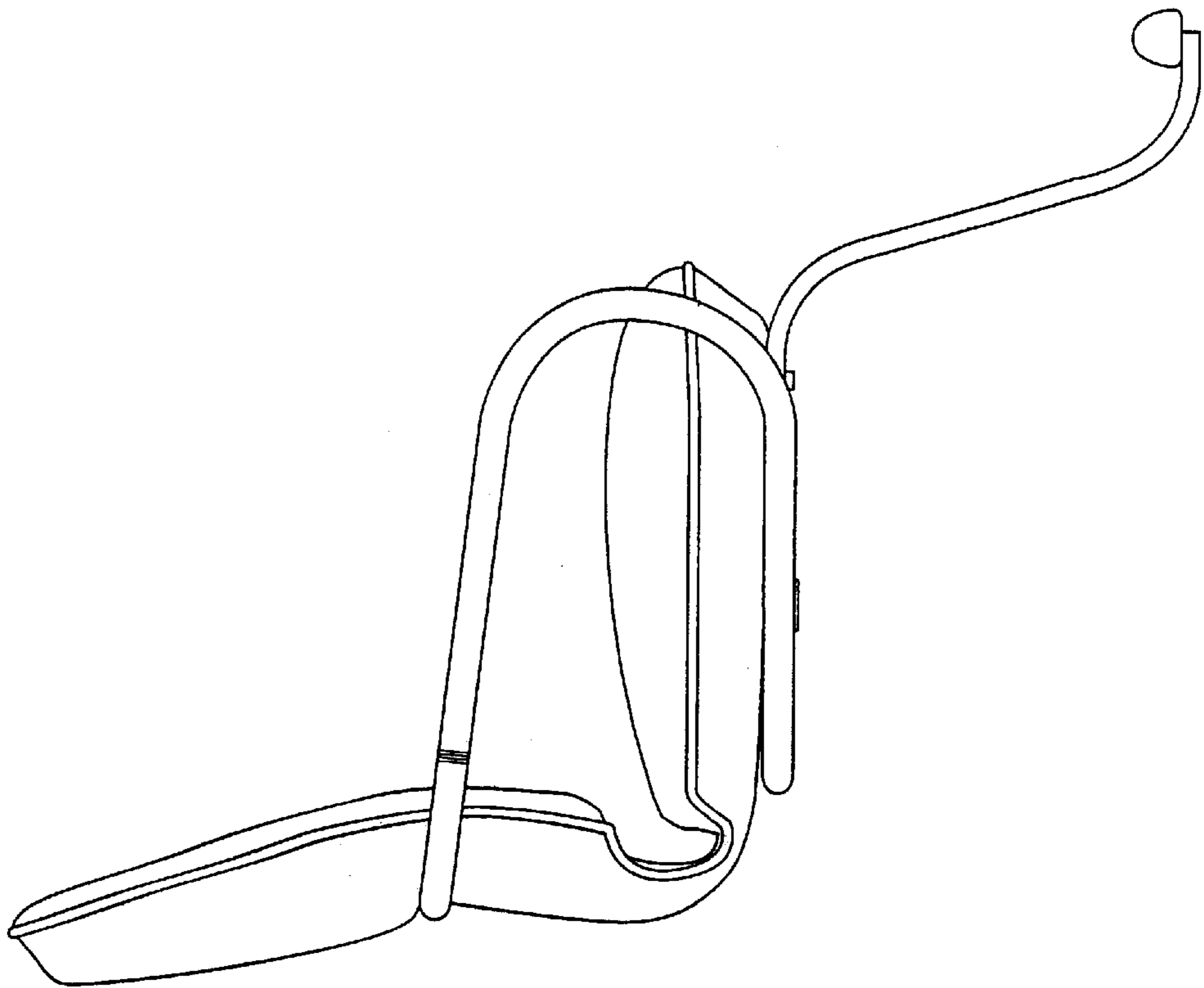


Fig.6

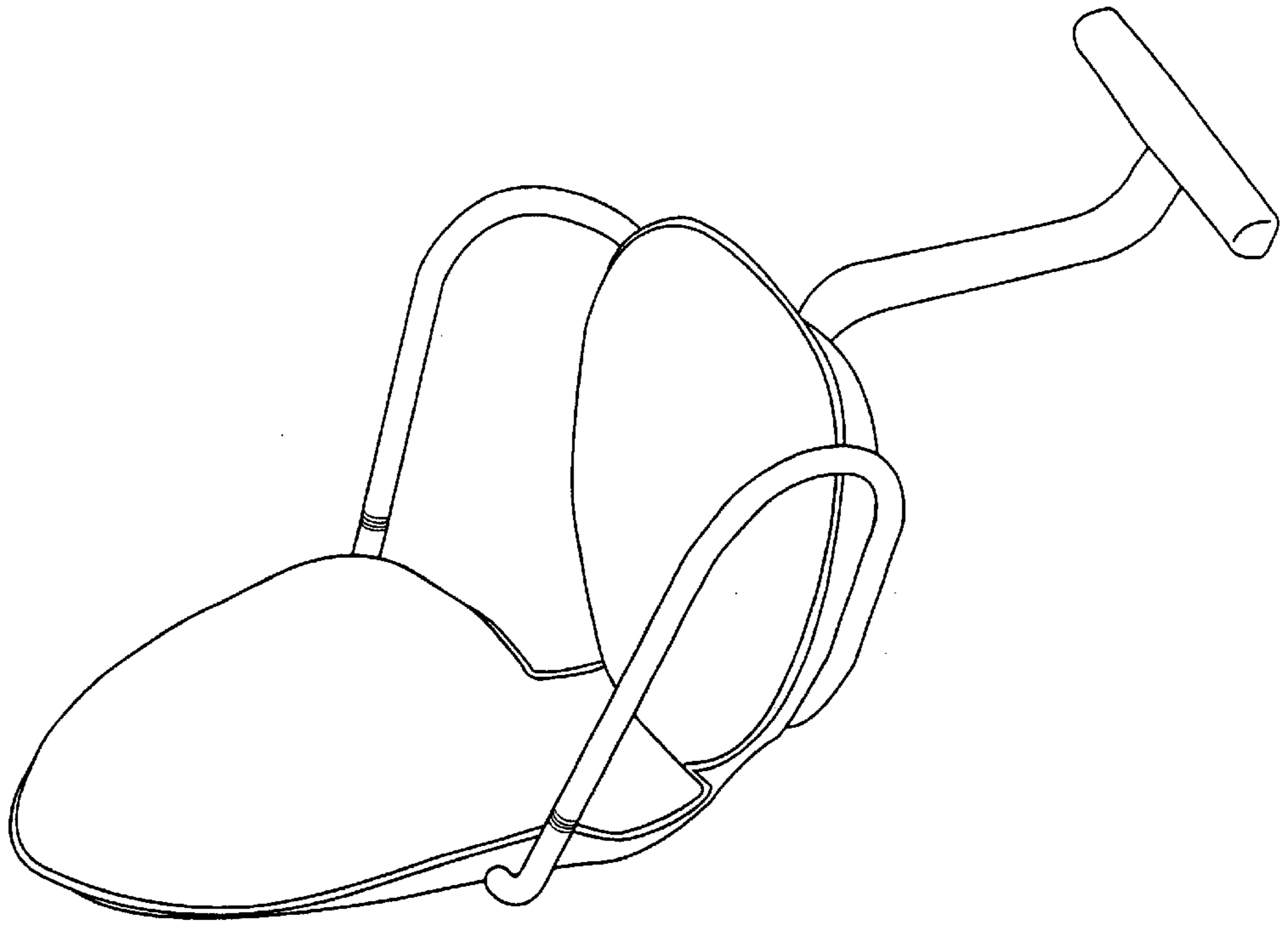
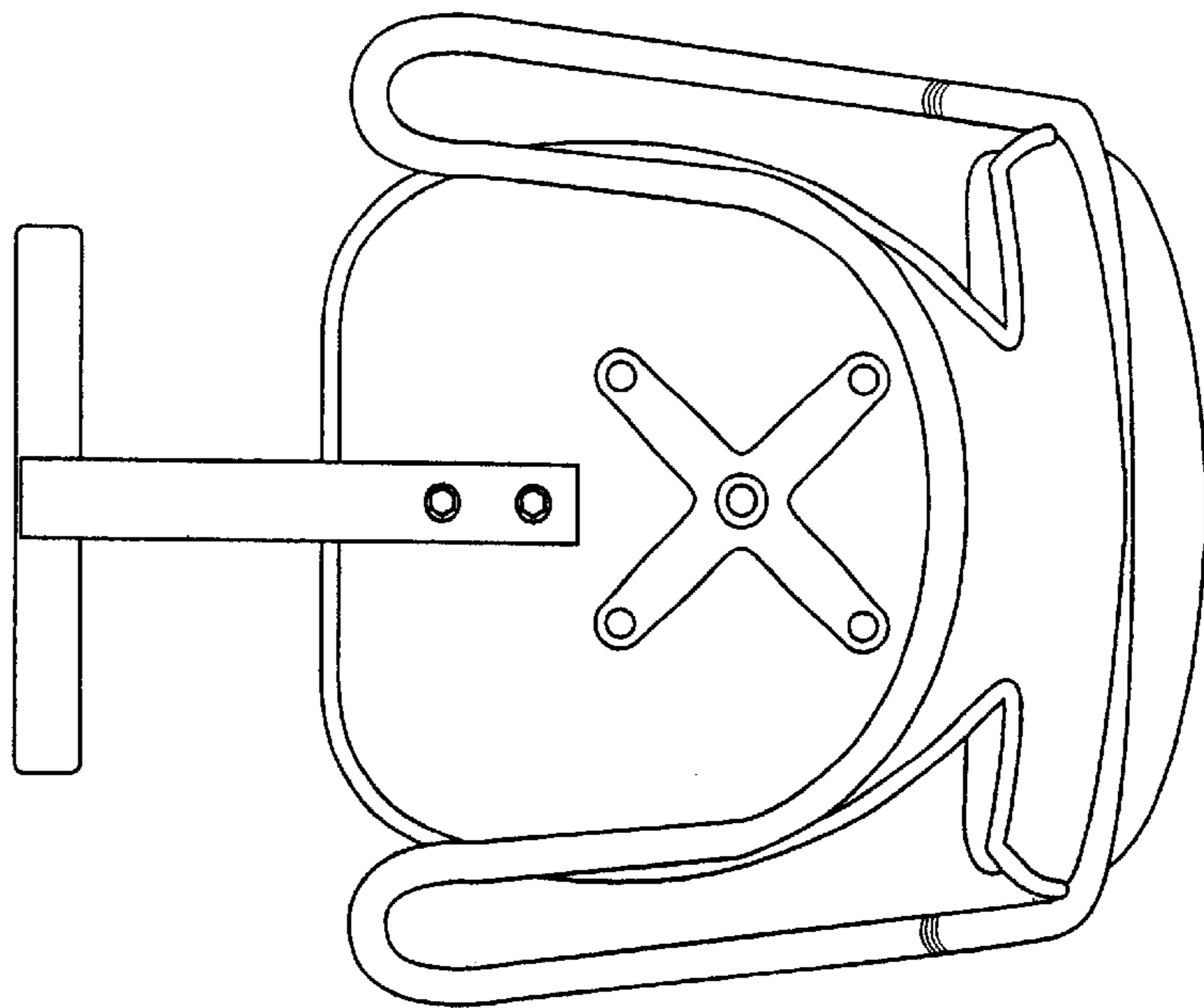


Fig.5



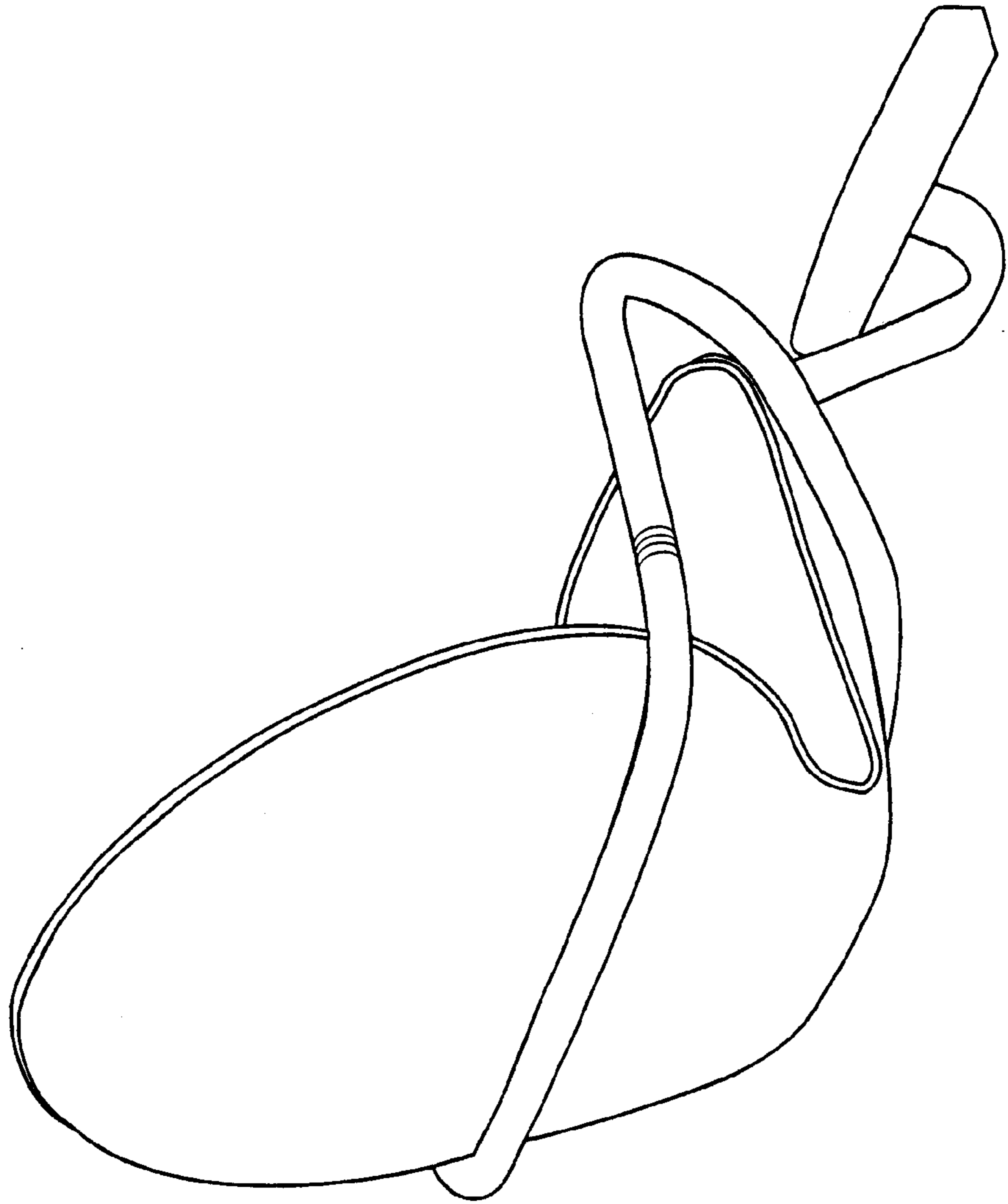


Fig. 7