



US00D444304S

(12) **United States Design Patent**
Polonsky

(10) **Patent No.:** **US D444,304 S**

(45) **Date of Patent:** **** Jul. 3, 2001**

(54) **DISPLAY STAND**
(75) Inventor: **Charles R. Polonsky**, Buffalo Grove, IL (US)
(73) Assignee: **Associates Printing Service, Inc.**, Northbrook, IL (US)

4,279,086	7/1981	Phillips	40/152.1
4,998,704	3/1991	Tarlow et al.	248/447.1
5,005,869	4/1991	Smith	281/15.1
5,087,145	2/1992	Cooley	402/79
5,441,229	8/1995	Spagnoli	248/452
5,537,369	7/1996	Wu	368/10
5,857,791	1/1999	Kenney	400/718

(**) Term: **14 Years**
(21) Appl. No.: **29/128,994**
(22) Filed: **Sep. 5, 2000**

OTHER PUBLICATIONS

Braeside Displays, 1999 Catalog, pp. 29, 32 and 34.

* cited by examiner

Primary Examiner—Janice E. Seeger
(74) *Attorney, Agent, or Firm*—Ryndak & Suri

(51) **LOC (7) Cl.** **06-06**
(52) **U.S. Cl.** **D6/310; D6/419**
(58) **Field of Search** D6/419, 420, 300, D6/310-312, 314; D19/91, 88, 27; 248/441.1, 444.1, 445, 450, 460, 463; 281/33; D20/21

(57) **CLAIM**

The ornamental design for a display stand, as shown.

(56) **References Cited**

U.S. PATENT DOCUMENTS

D. 423,593	4/2000	Kovens et al.	D20/43
2,211,809	* 8/1940	Brewer	281/33
2,881,008	* 4/1959	Goldman	281/33
2,982,568	* 5/1961	Wolfe	248/441.1
3,210,094	* 10/1965	Sloves	281/33
3,634,958	1/1972	Drowns	40/68
4,015,863	* 4/1977	Holum	281/33
4,202,121	5/1980	Maris et al.	40/152.1

DESCRIPTION

FIG. 1 is a front and right side perspective view of a display stand showing my new design;
FIG. 2 is a left side elevation view thereof;
FIG. 3 is a front elevation view thereof;
FIG. 4 is a rear elevation view thereof;
FIG. 5 is a right side elevation view thereof;
FIG. 6 is a top plan view thereof; and,
FIG. 7 is a bottom plan view thereof.

1 Claim, 2 Drawing Sheets

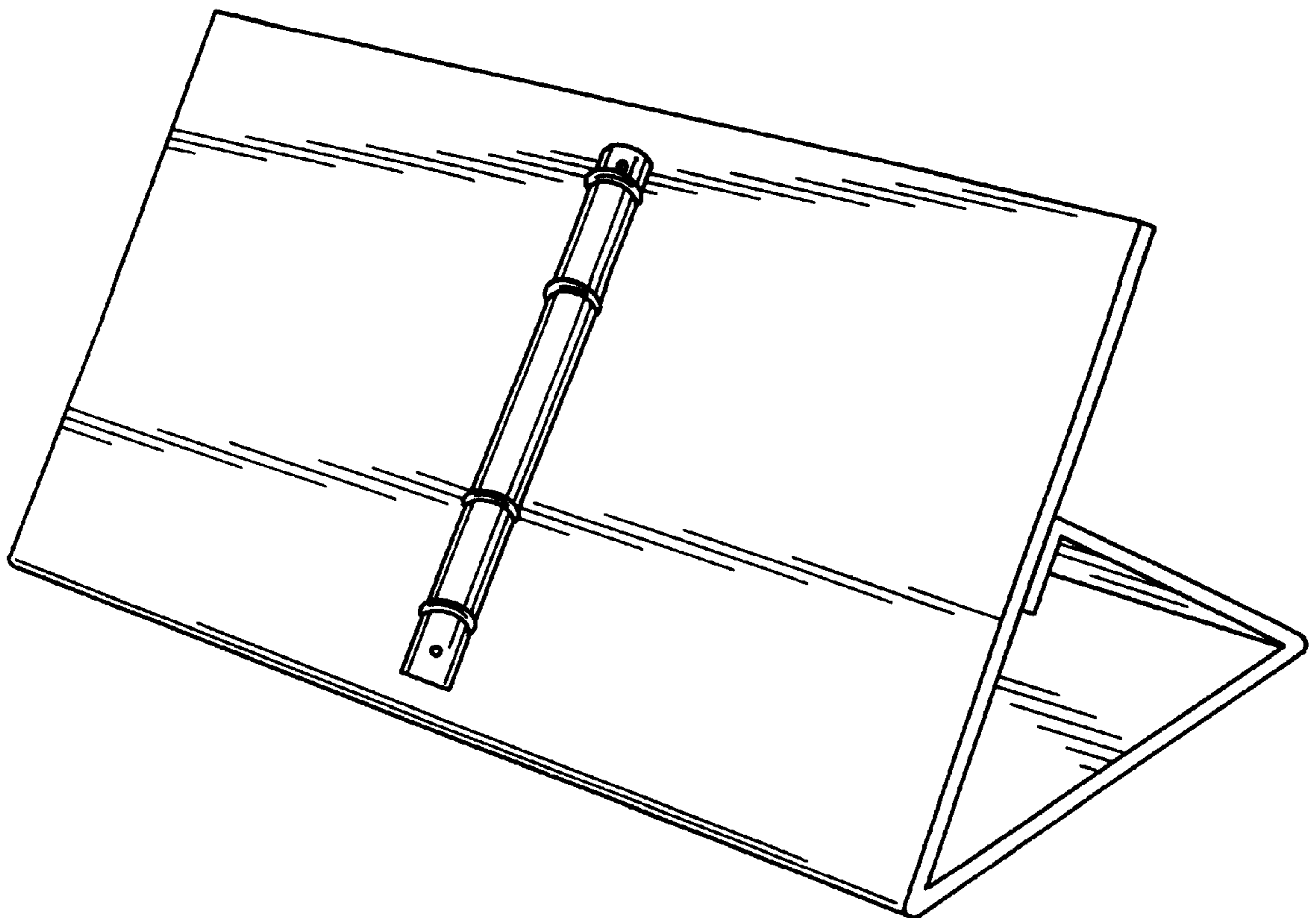


FIG. 1

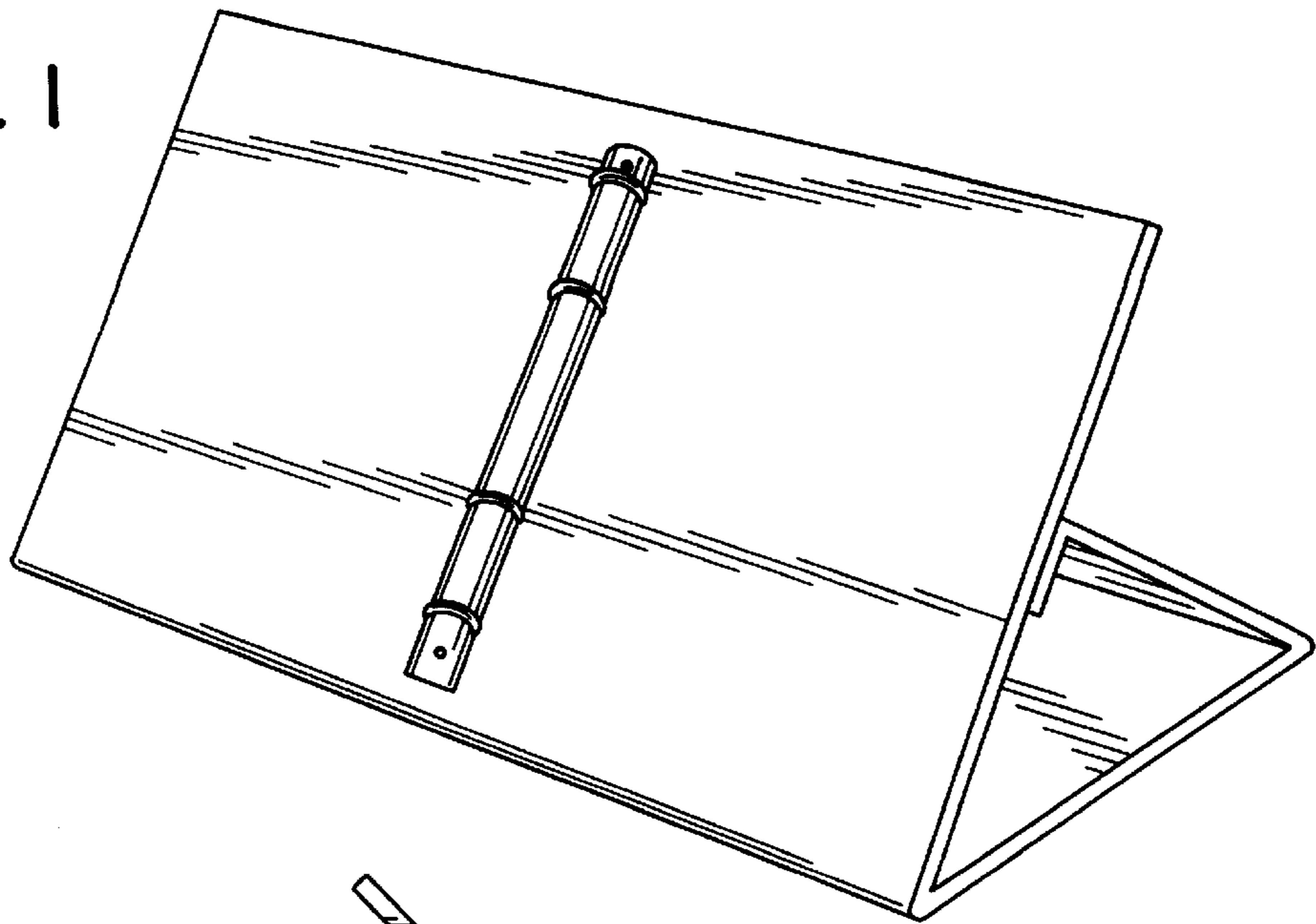


FIG. 2

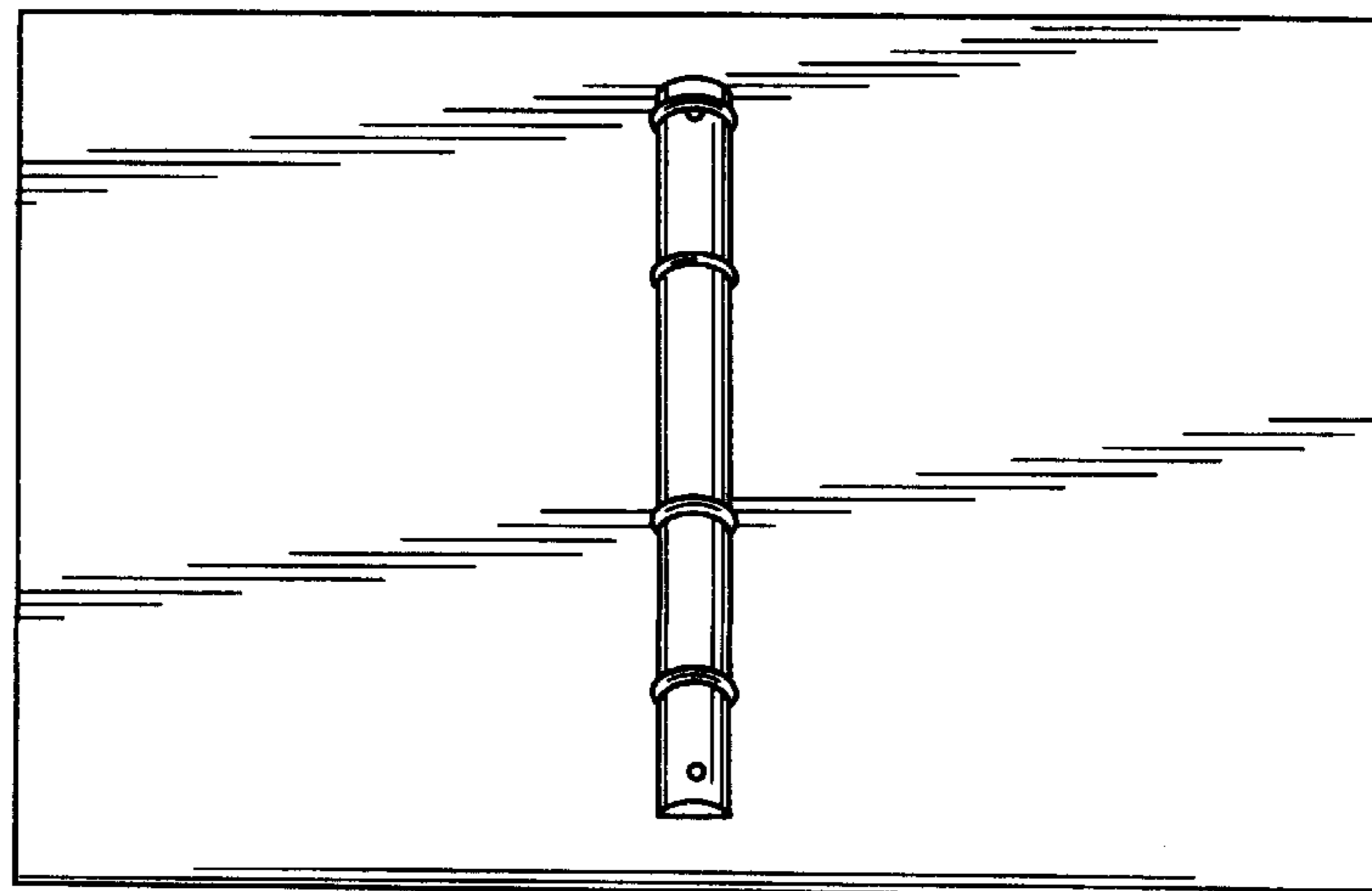
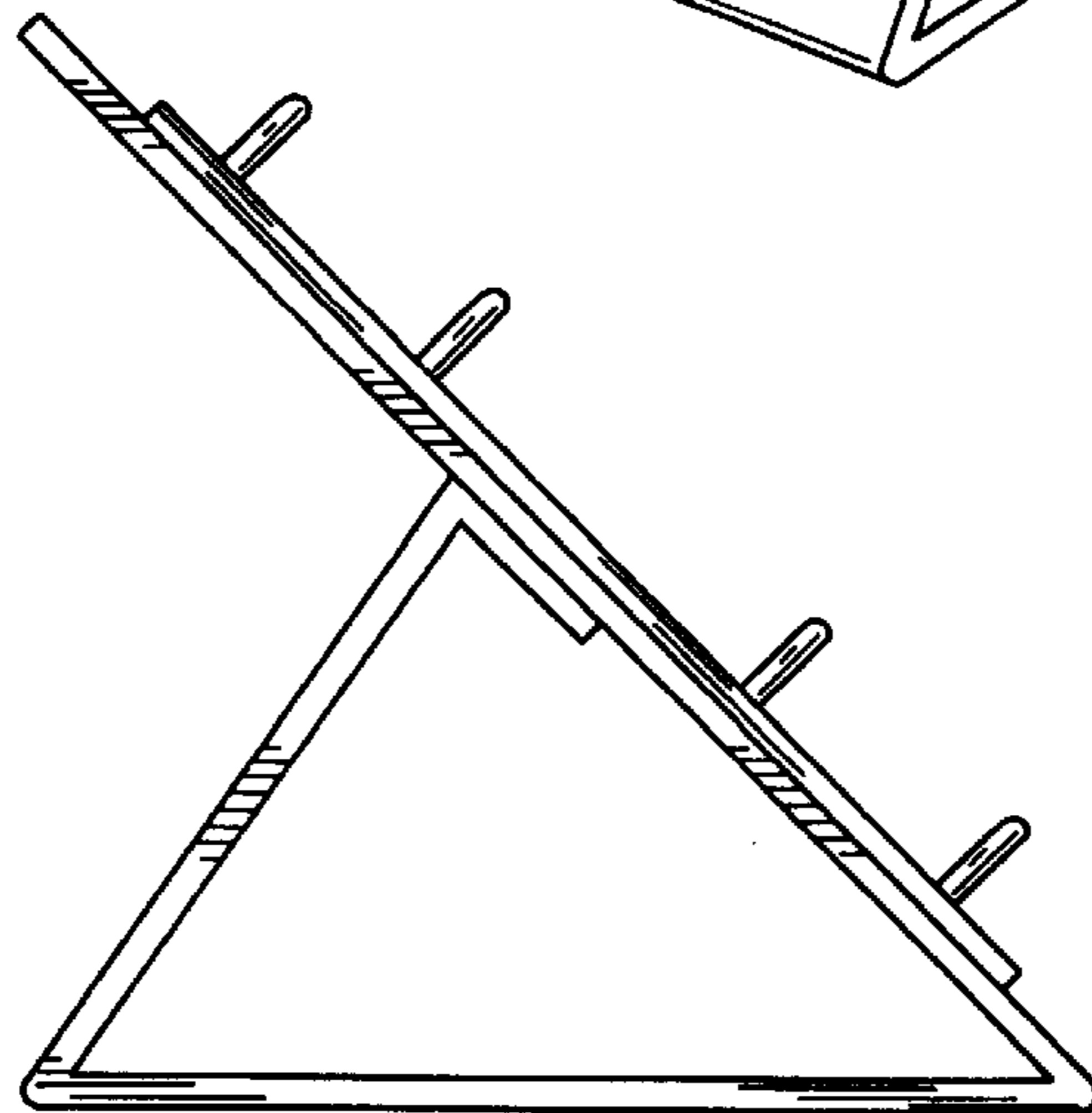


FIG. 3

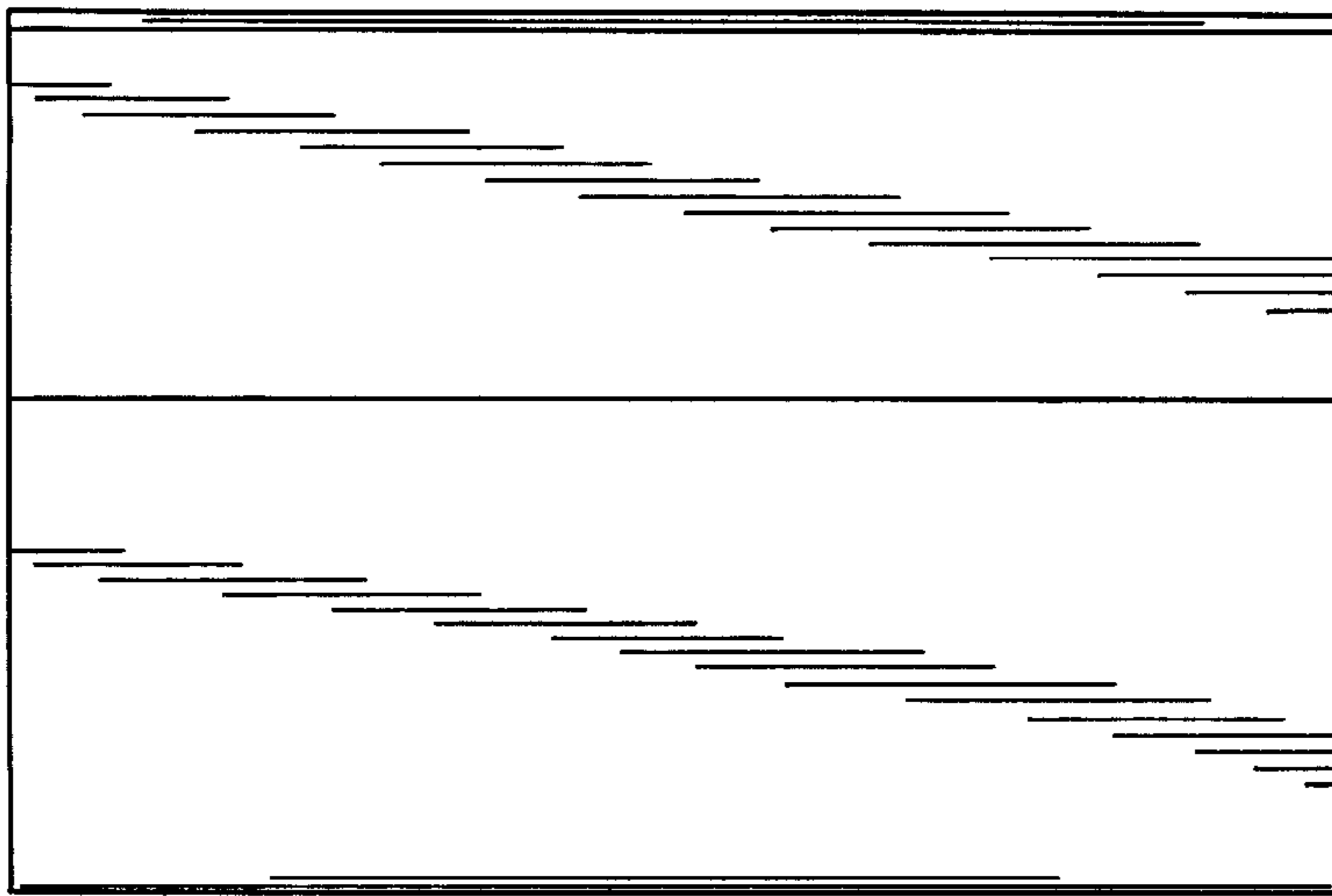


FIG. 4

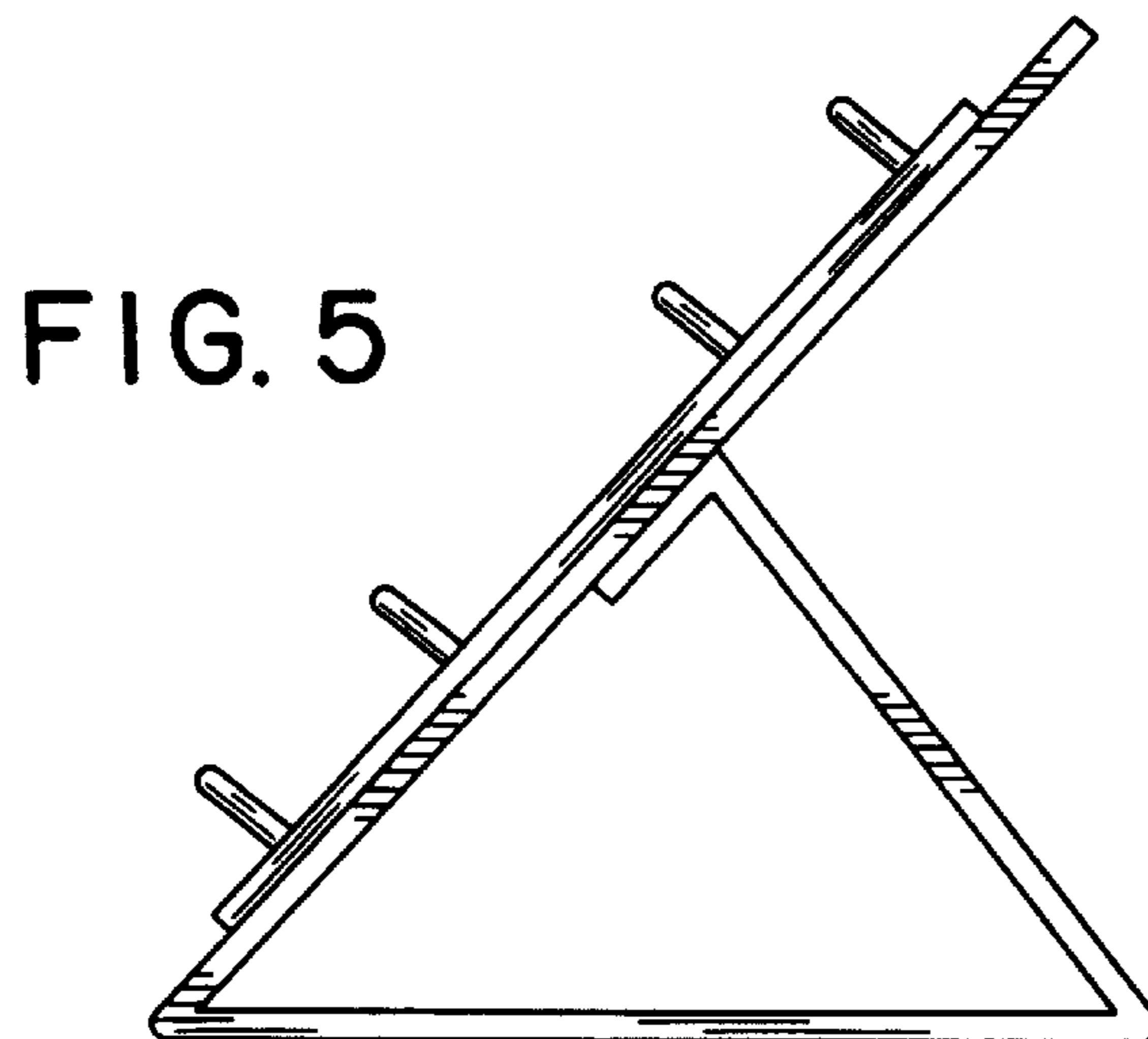


FIG. 5

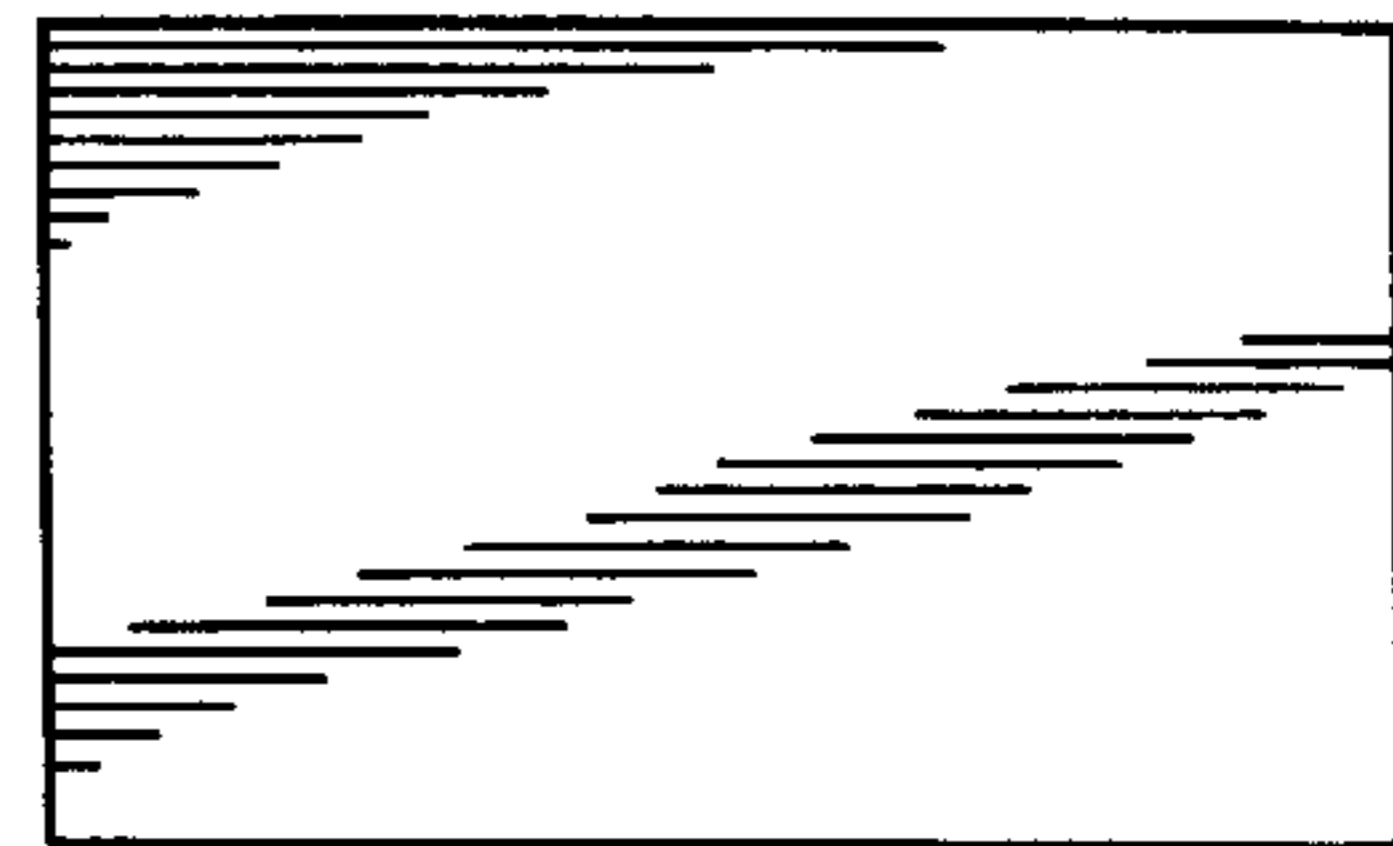


FIG. 7

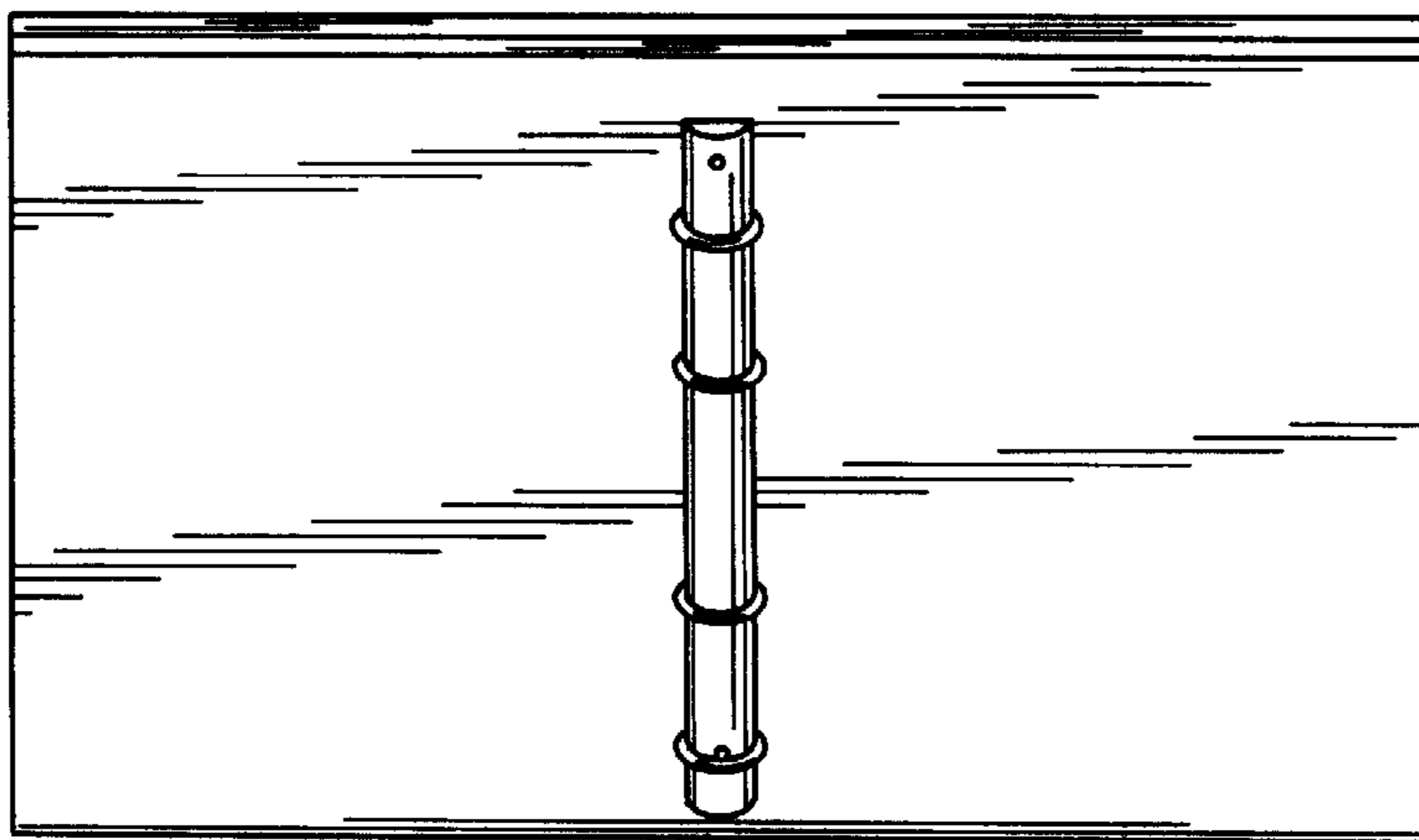


FIG. 6