



US00D444295S

(12) **United States Design Patent** (10) **Patent No.:** **US D444,295 S**  
**Malik et al.** (45) **Date of Patent:** **\*\* Jul. 3, 2001**

(54) **BELT HAVING REMOVABLE BEVERAGE BOTTLES**

(76) Inventors: **Vinu P. Malik**, 55 Chestnut St. #1, Cambridge, MA (US) 02139; **Gerry Ronmark**, Box 7100, Sodertalje (SE), SE-152 07

(\*\*) Term: **14 Years**

(21) Appl. No.: **29/132,244**

(22) Filed: **Nov. 6, 2000**

(51) **LOC (7) Cl.** ..... **03-01**

(52) **U.S. Cl.** ..... **D3/224**

(58) **Field of Search** ..... D3/224, 226, 215, D3/229, 221, 228; 224/223, 253, 240, 901, 904, 919, 148.1-148.6; D24/197, 198; D9/526, 549, 443

(56) **References Cited**

**U.S. PATENT DOCUMENTS**

D. 249,076	*	8/1978	Meeker et al. ....	D9/526
D. 251,758	*	5/1979	Penrod .....	D3/229
D. 255,621		7/1980	McCool .	
D. 257,409		10/1980	Kishbaugh et al. .	
D. 279,120		6/1985	Spangler .	
D. 282,694		2/1986	Gault .	
D. 290,306		6/1987	Pickens .	
D. 291,623	*	9/1987	Ericksen .....	D3/229
D. 296,666		7/1988	Hunt .	
D. 298,382		11/1988	Webster .	
D. 300,904		5/1989	Pardo et al. .	
D. 328,421		8/1992	Weiler .	
D. 336,154		6/1993	Phillips .	
D. 365,928		1/1996	Sauer .	
D. 405,604		2/1999	Massey .	
1,352,453		9/1920	Jennings .	
4,449,654		5/1984	Cappis .	
4,804,121	*	2/1989	Stanton et al. ....	224/919
4,907,729	*	3/1990	Hess, III .....	224/253
5,060,835		10/1991	Payne .	
5,240,156		8/1993	Sicotte et al. .	
5,240,158		8/1993	Walsh .	
5,938,089		8/1999	Abreu-Marston .	

**OTHER PUBLICATIONS**

US Cavalry, Canteens and Accessories, Suspenders, Belts and Pouches, Jul. 1995, p. 34.\*

US Cavalry, Canteen Belt, Jul. 1995, p. 77.\*

\* cited by examiner

*Primary Examiner*—Catherine R. Oliver

(74) *Attorney, Agent, or Firm*—Salter & Michaelson

(57) **CLAIM**

The ornamental design for a belt having removable beverage bottles, as shown.

**DESCRIPTION**

FIG. 1 is a perspective view of a belt having removable beverage bottles showing our new design;  
 FIG. 2 is a front elevational view thereof;  
 FIG. 3 is a rear elevational view thereof;  
 FIG. 4 is a top plan view thereof;  
 FIG. 5 is a bottom plan view thereof;  
 FIG. 6 is a side view thereof;  
 FIG. 7 is a view of the opposite side thereof;  
 FIG. 8 is a perspective view of a modified form of our design;  
 FIG. 9 is a front elevational view thereof;  
 FIG. 10 is a rear elevational view thereof;  
 FIG. 11 is a top plan view thereof;  
 FIG. 12 is a bottom plan view thereof;  
 FIG. 13 is a side view thereof;  
 FIG. 14 is a view of the opposite side thereof;  
 FIG. 15 is a perspective view of another embodiment of our design;  
 FIG. 16 is a front elevational view thereof;  
 FIG. 17 is a rear elevational view thereof;  
 FIG. 18 is a top plan view thereof;  
 FIG. 19 is a bottom plan view thereof;  
 FIG. 20 is a side view thereof;  
 FIG. 21 is a view of the opposite side thereof;  
 FIG. 22 is a perspective view of still another embodiment of our design;  
 FIG. 23 is a front elevational view thereof;  
 FIG. 24 is a rear elevational view thereof;  
 FIG. 25 is a top plan view thereof;

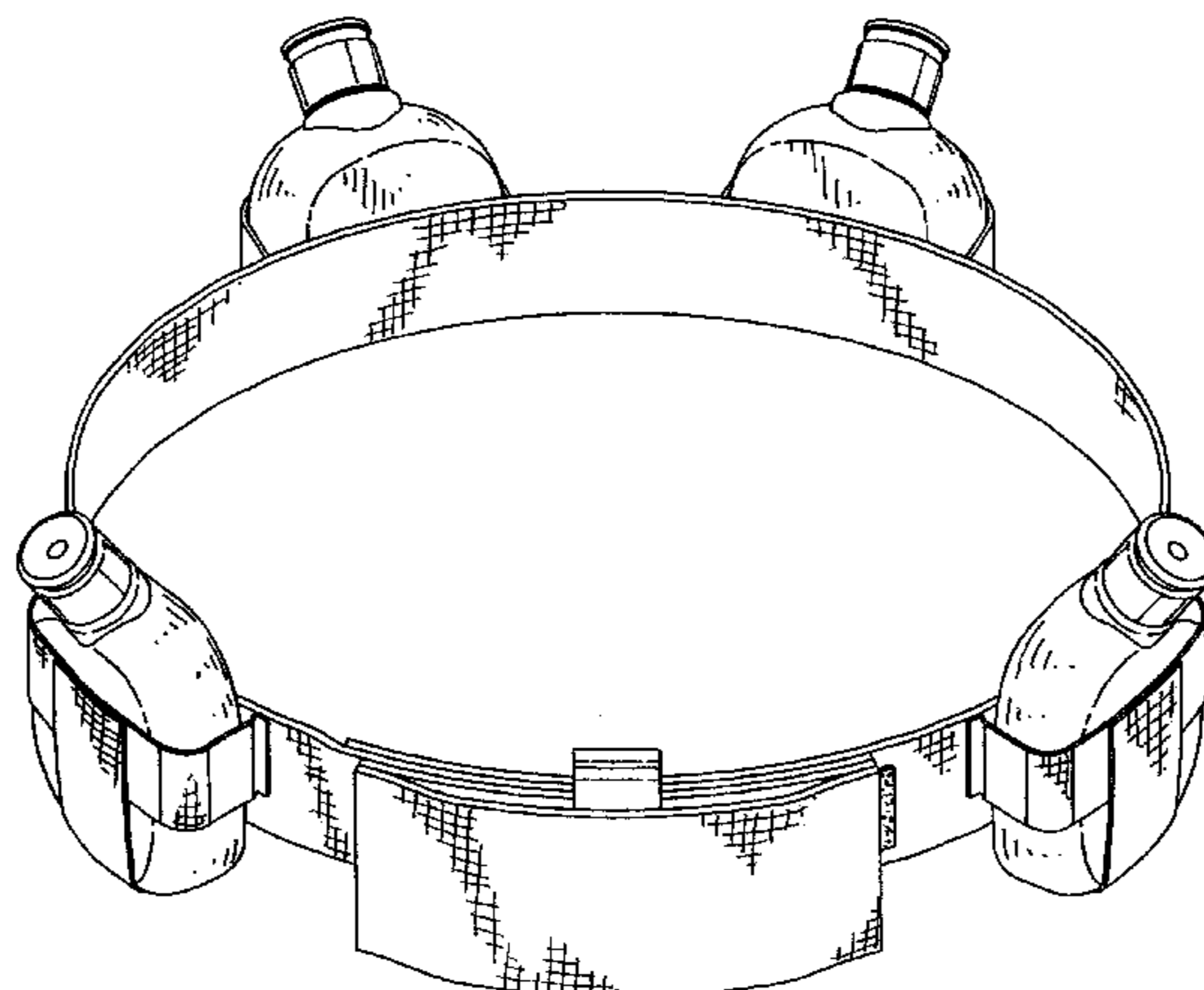


FIG. **26** is a bottom plan view thereof;  
FIG. **27** is a side view thereof; and,  
FIG. **28** is a view of the opposite side thereof.

**1 Claim, 17 Drawing Sheets**

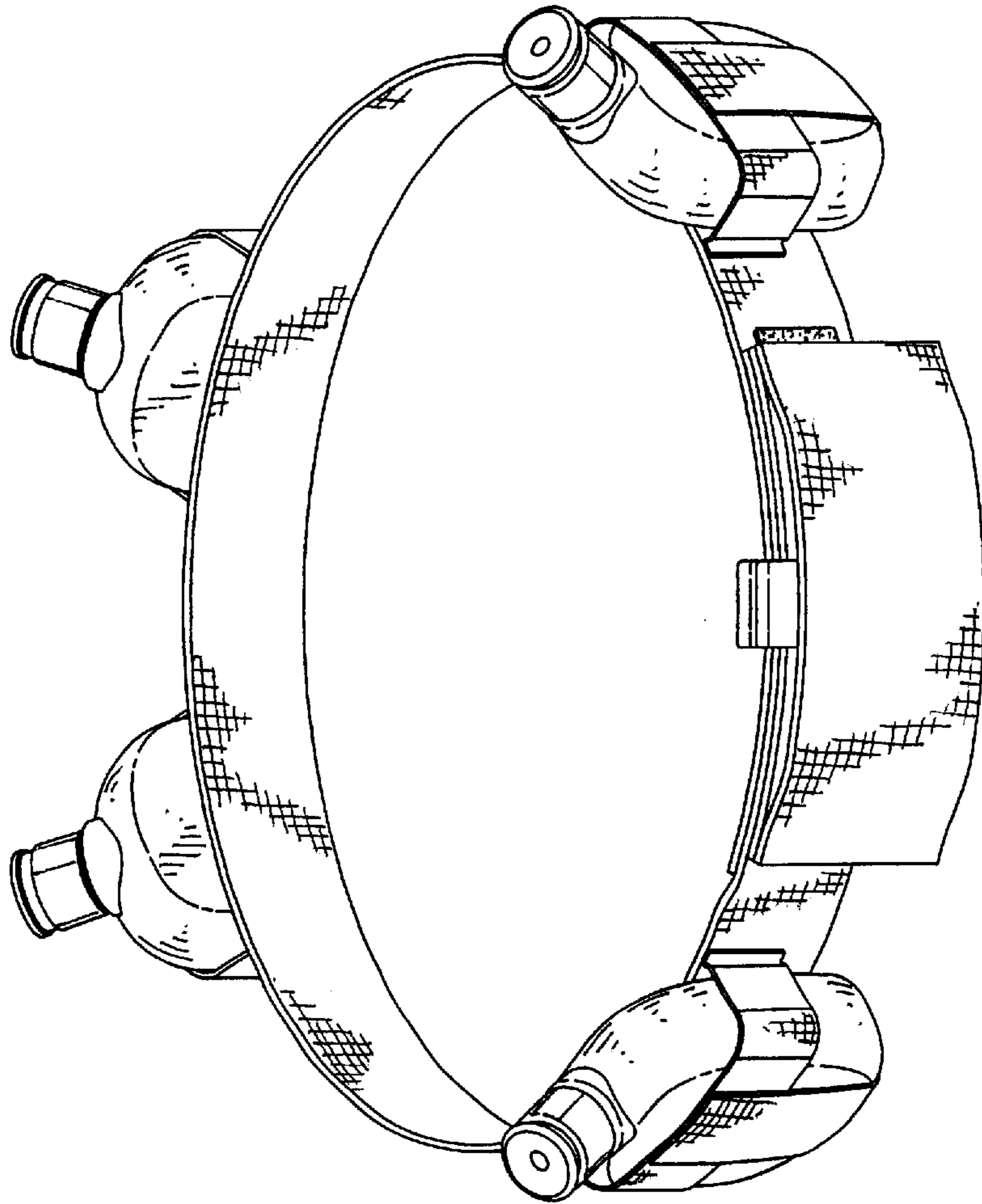


FIG. 1

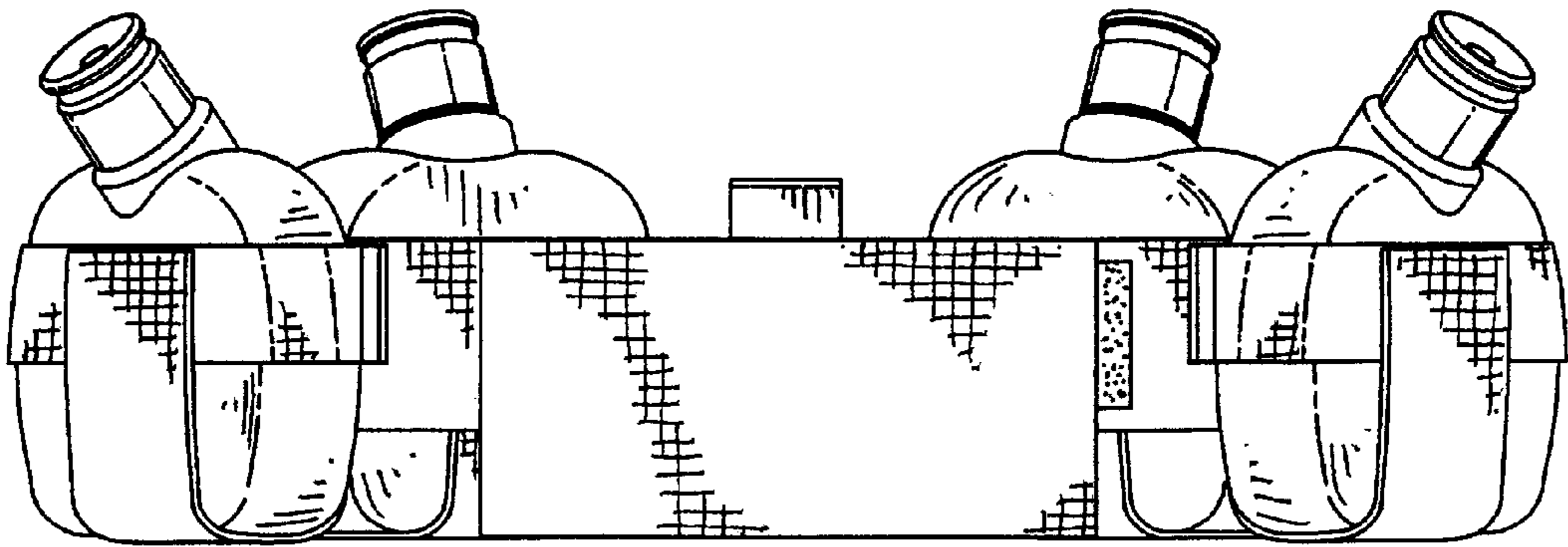


FIG. 2

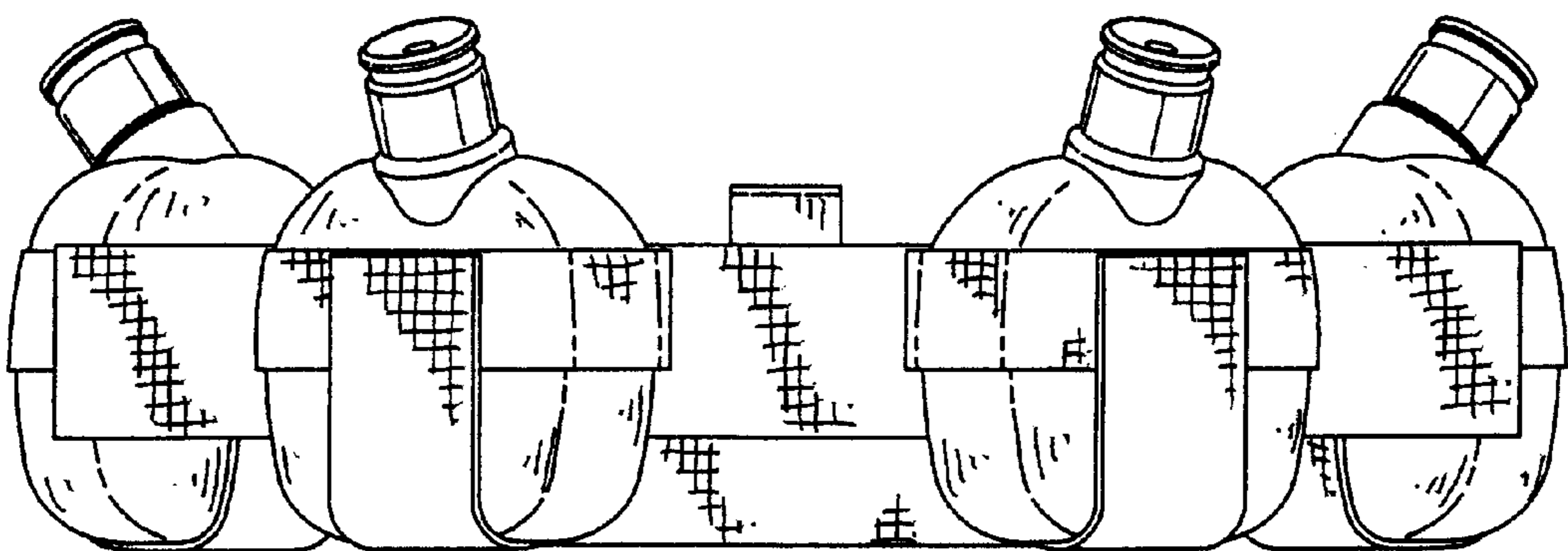


FIG. 3

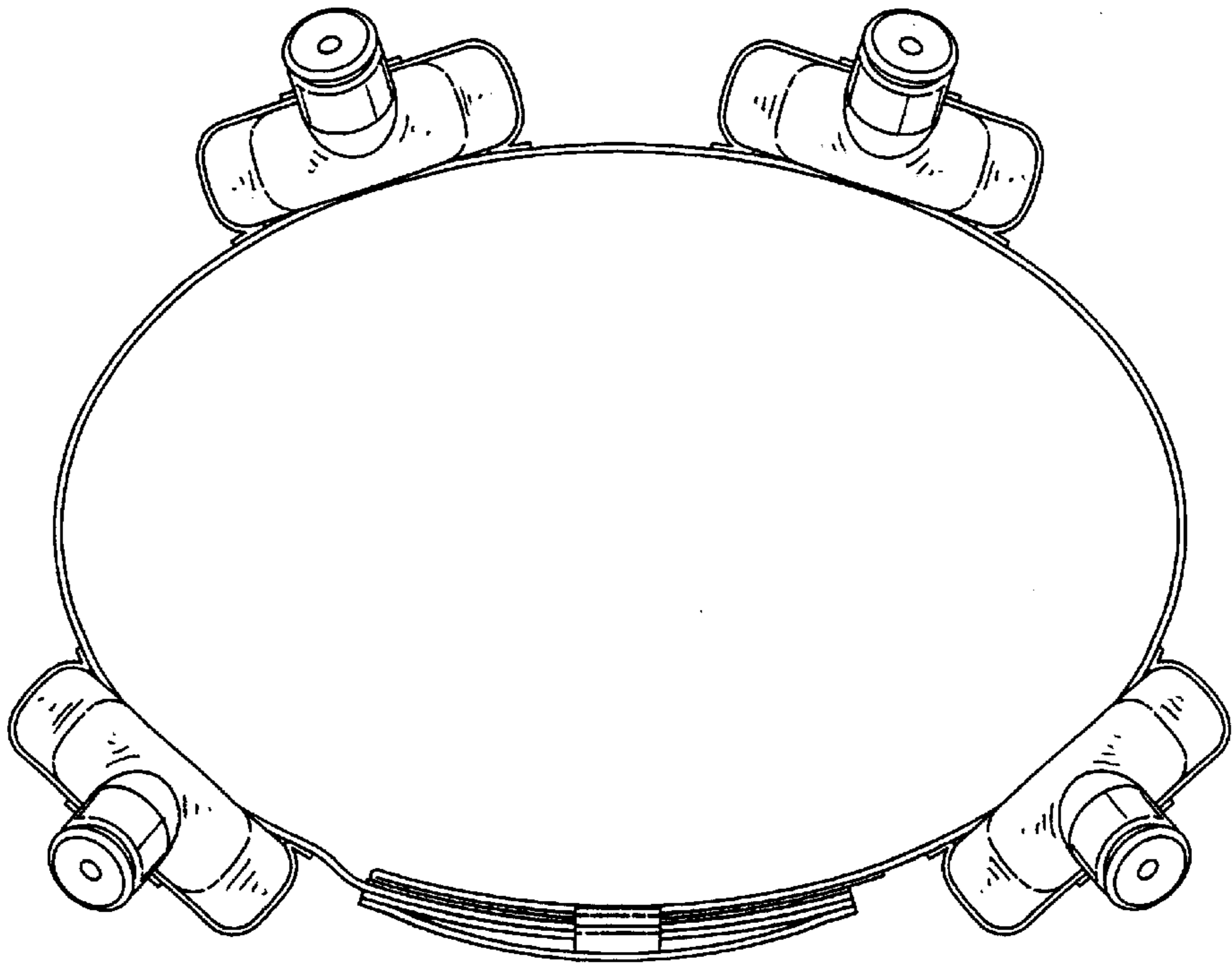


FIG. 4

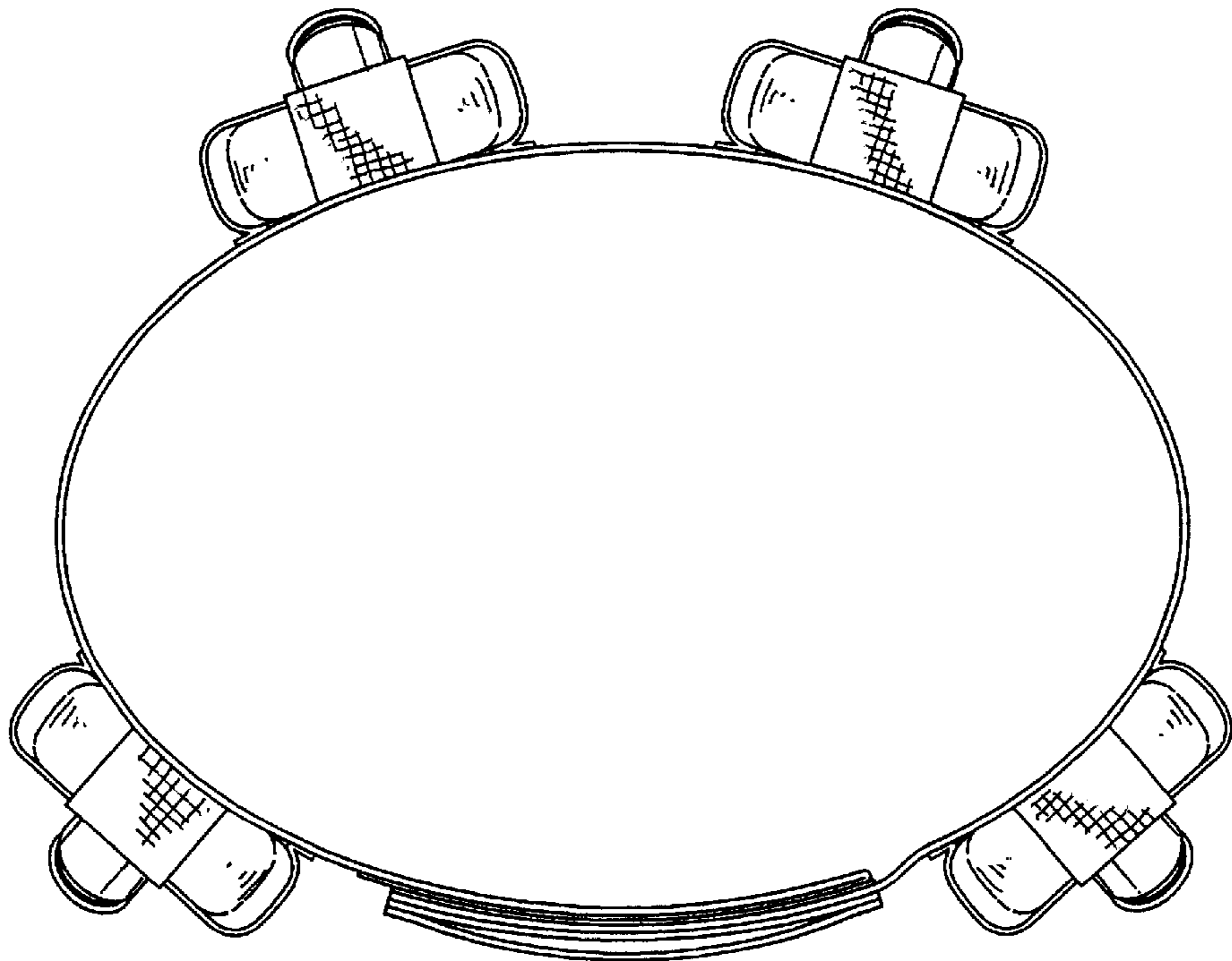


FIG. 5

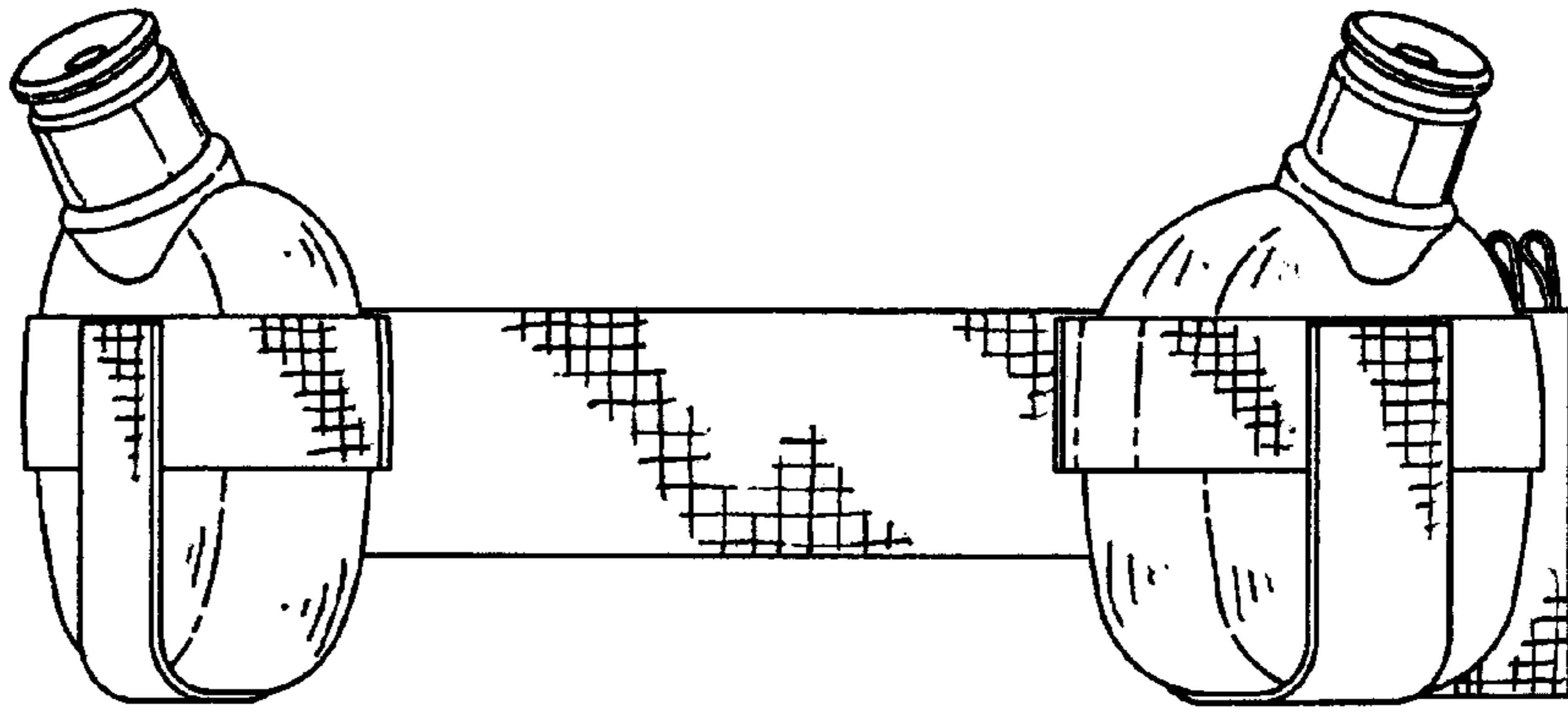


FIG. 6

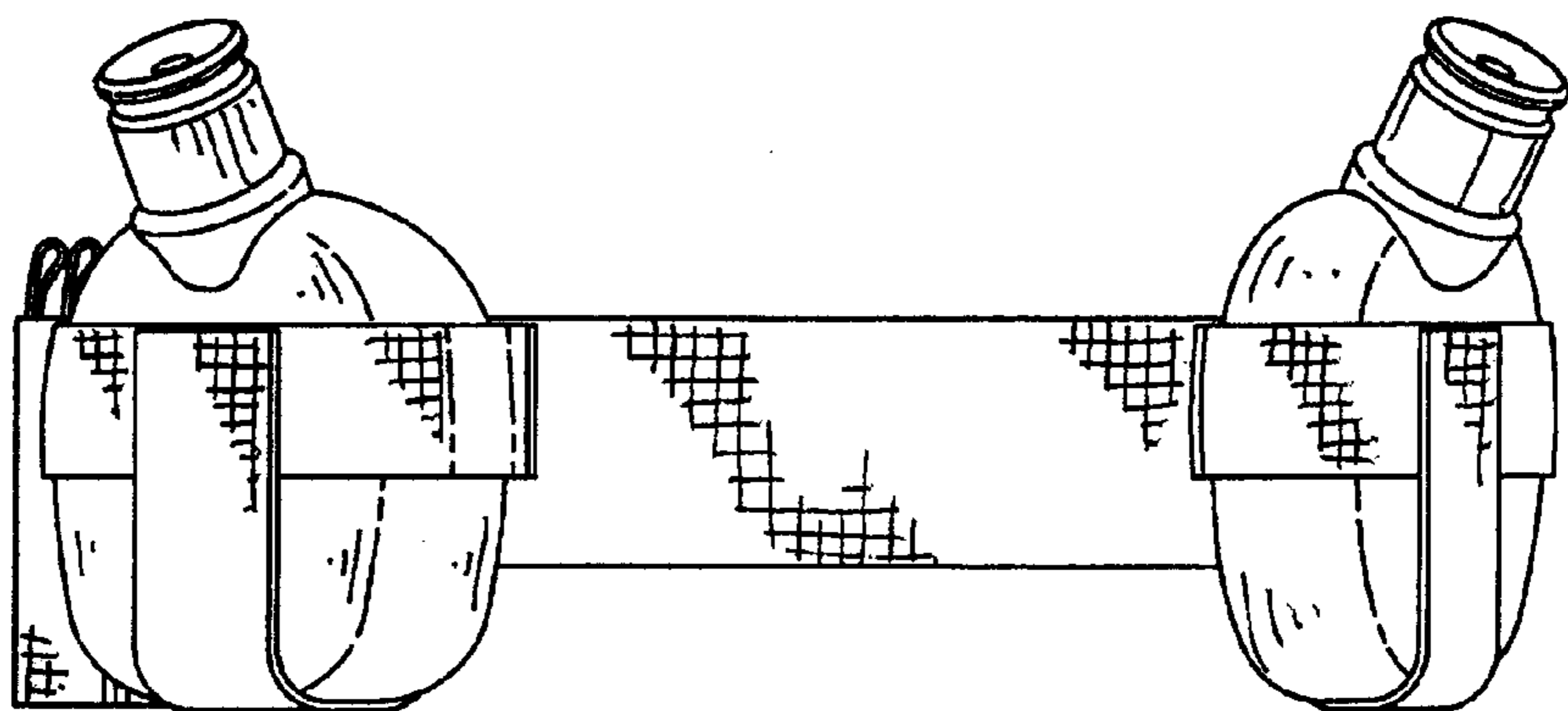


FIG. 7

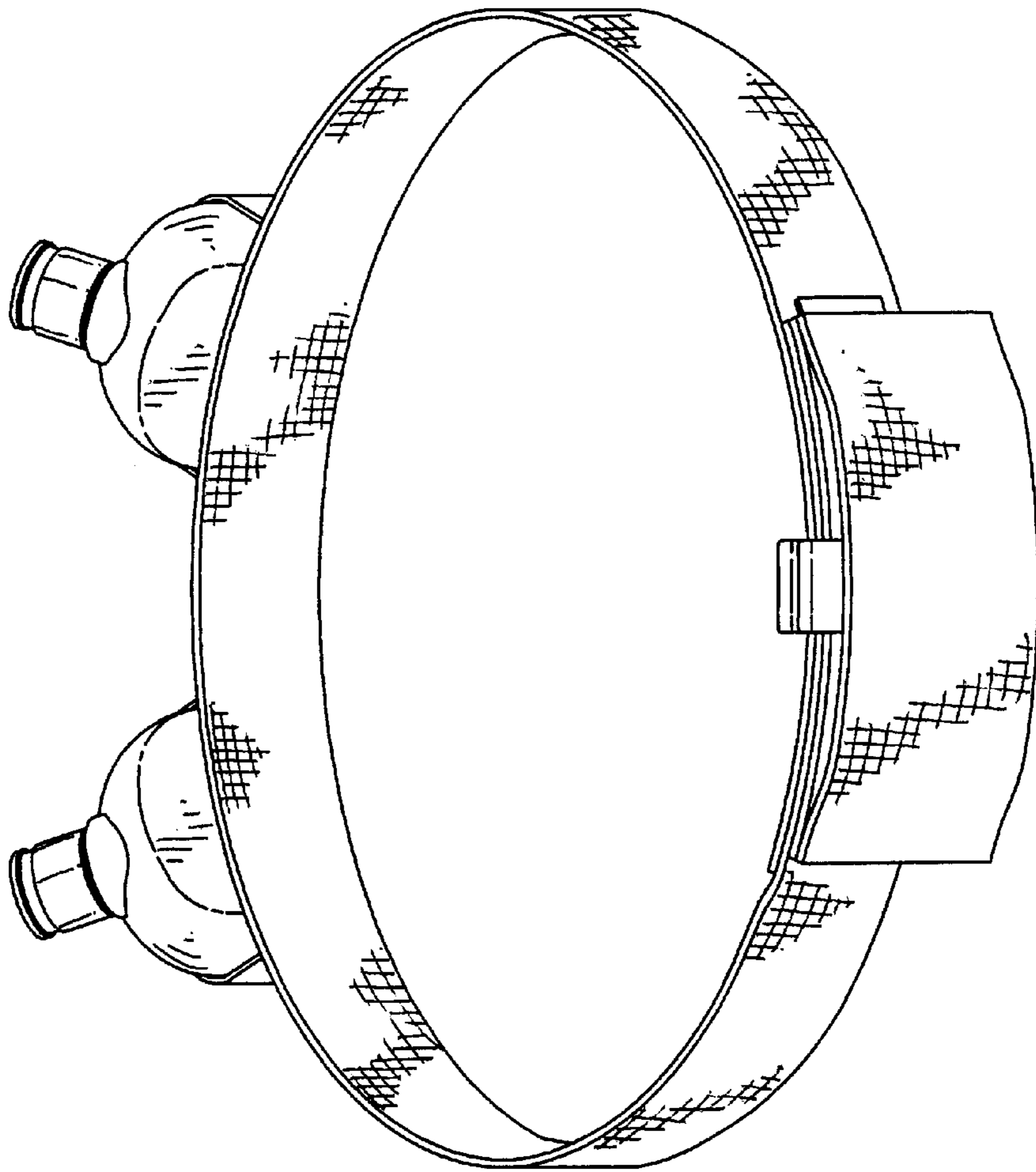


FIG. 8

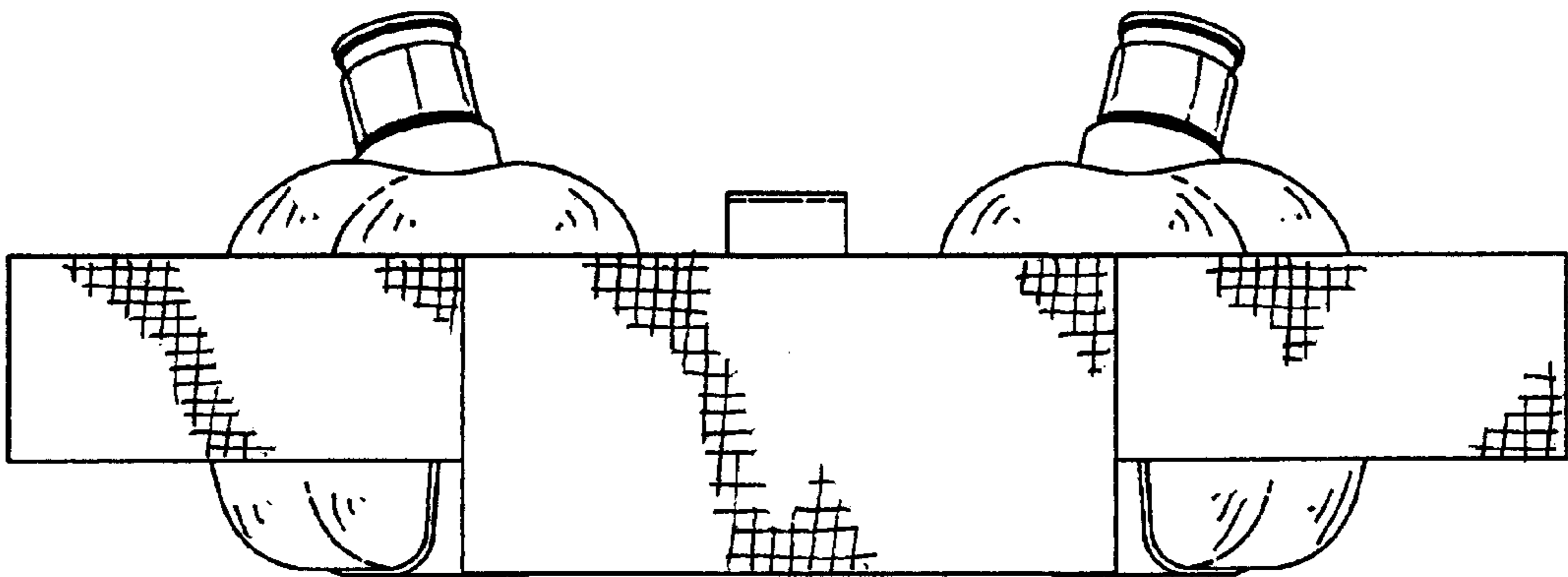


FIG. 9

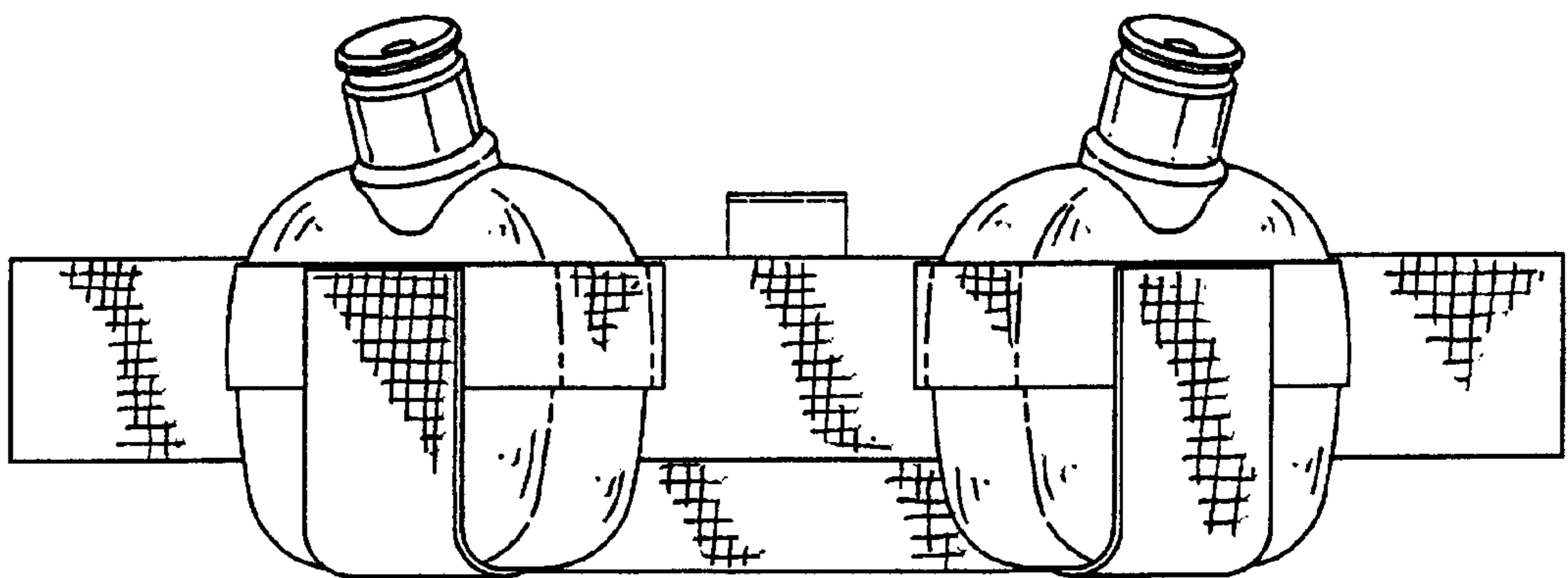


FIG. 10



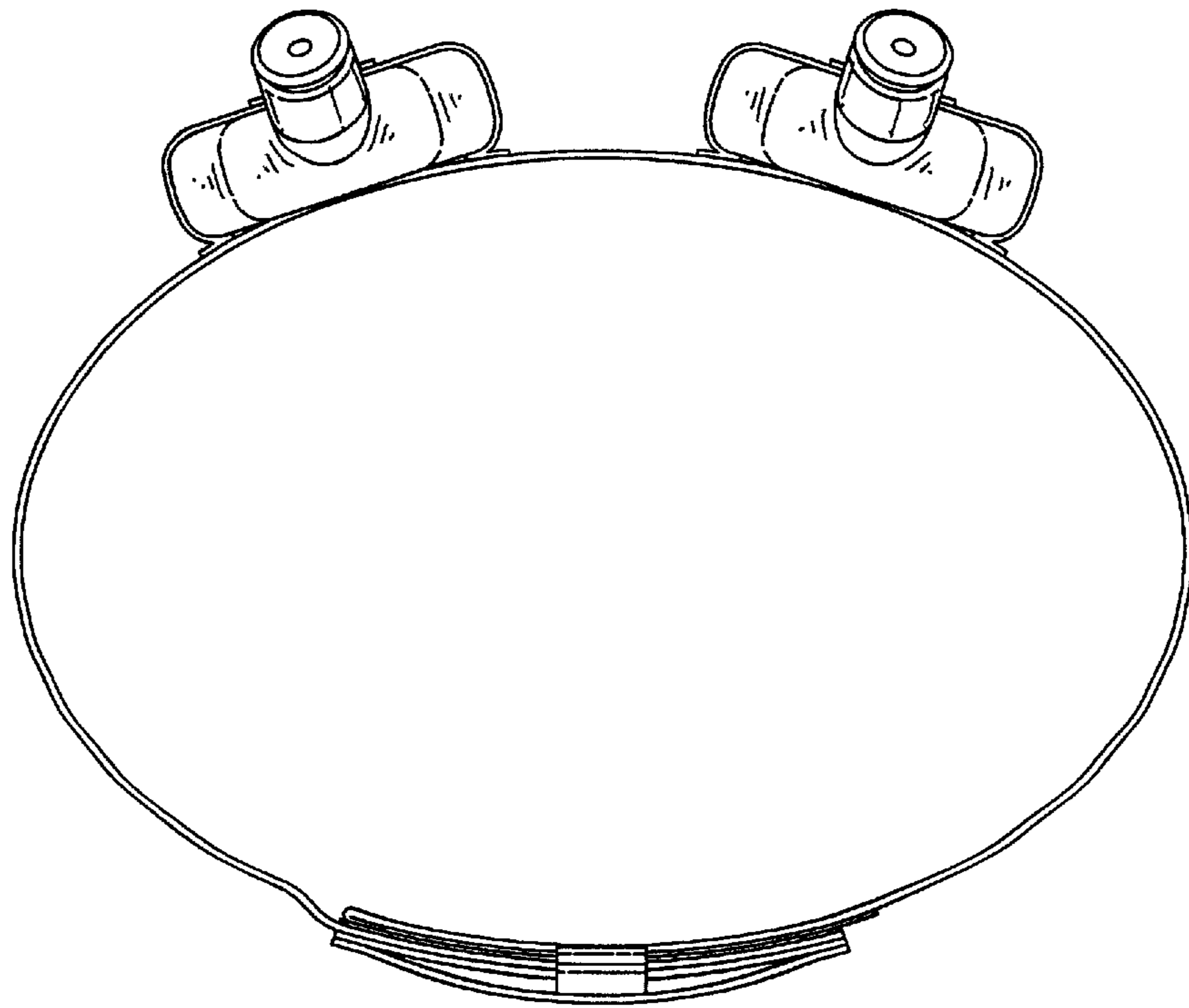


FIG. 11

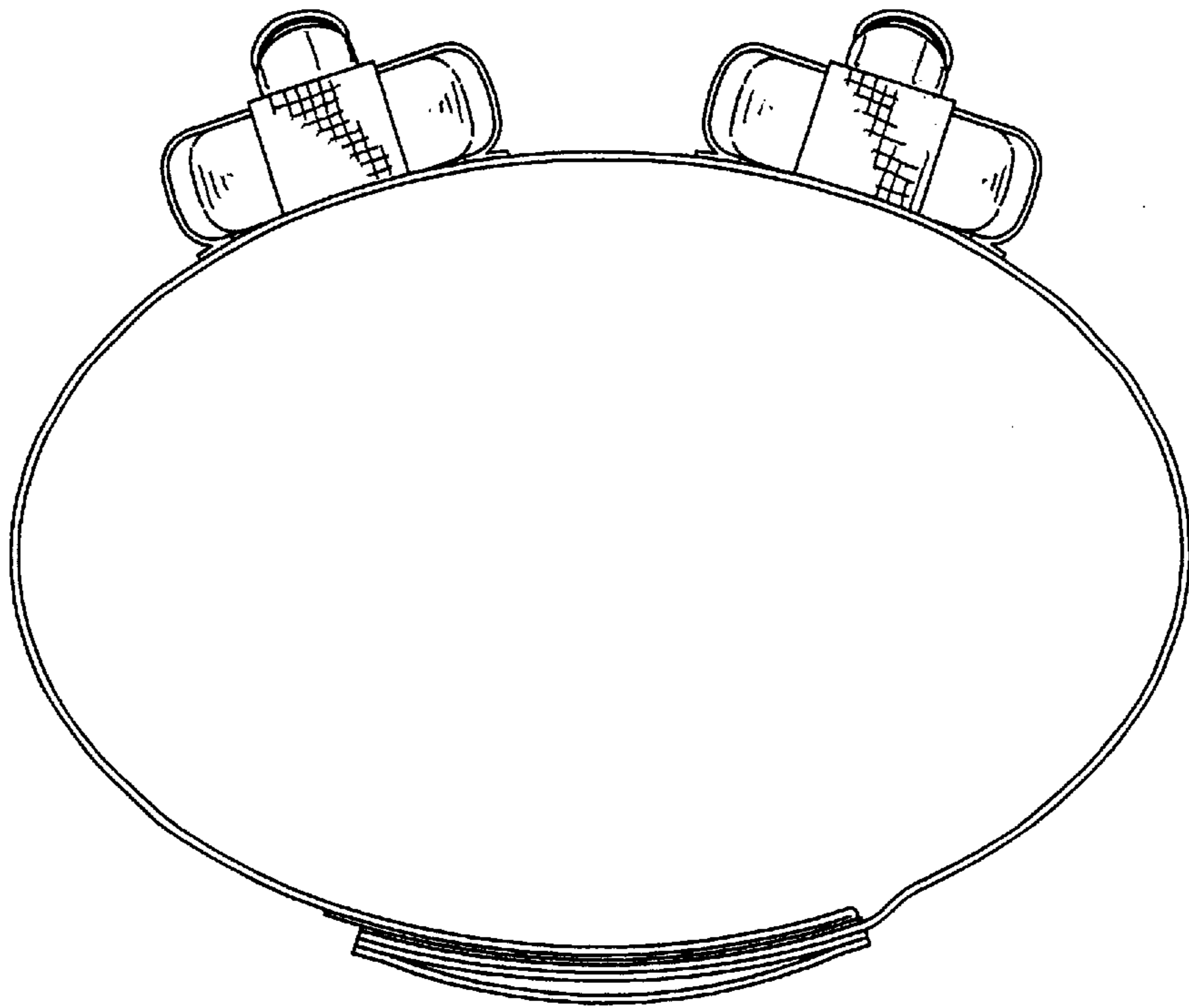


FIG. 12

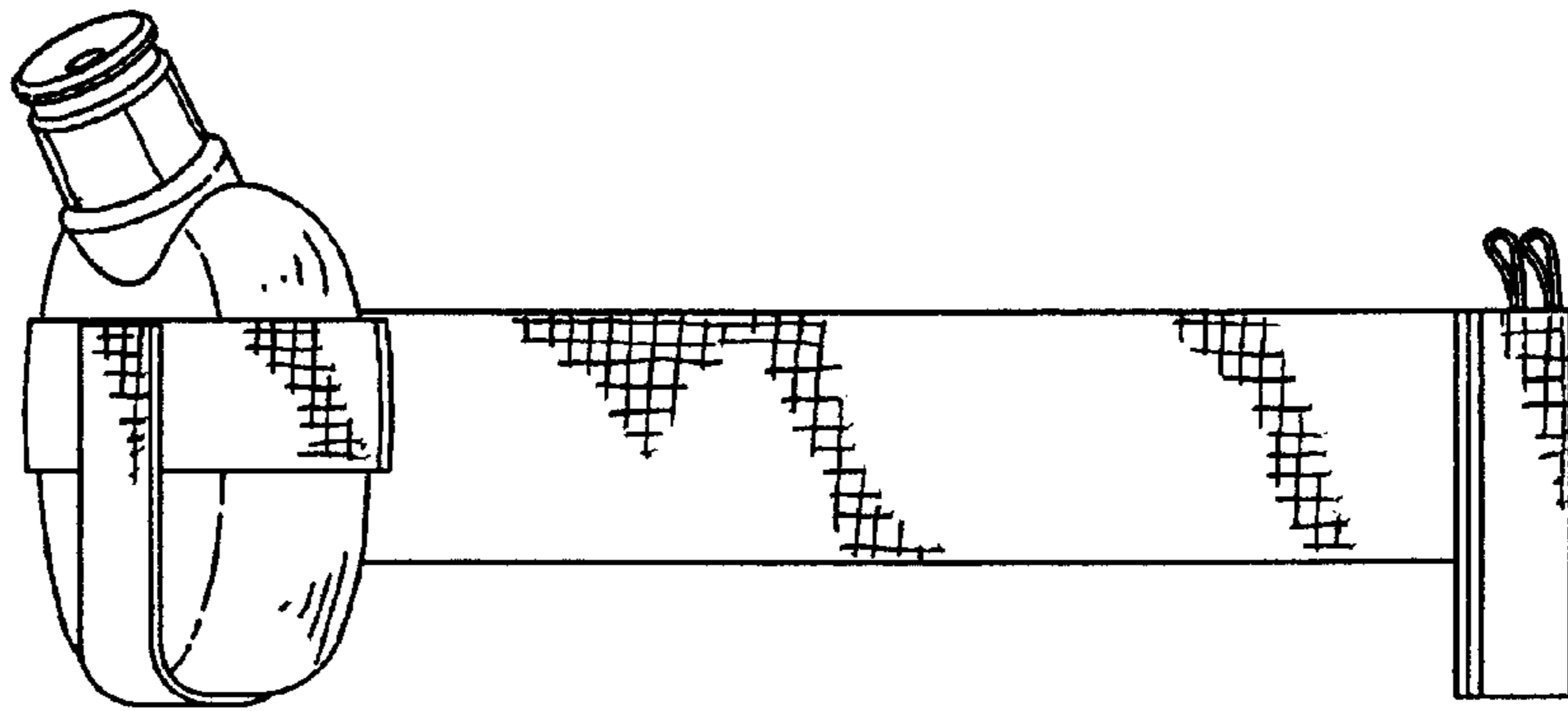


FIG. 13

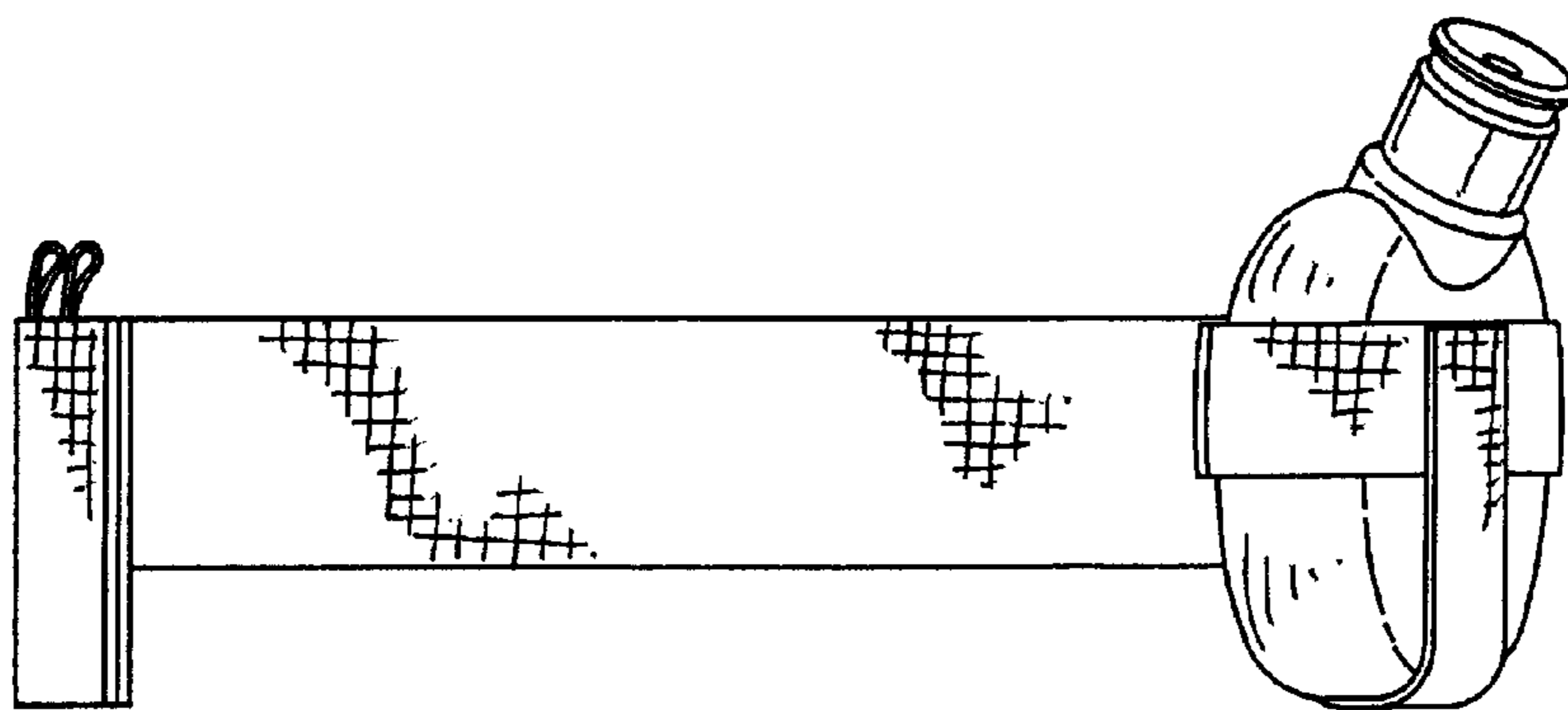


FIG. 14

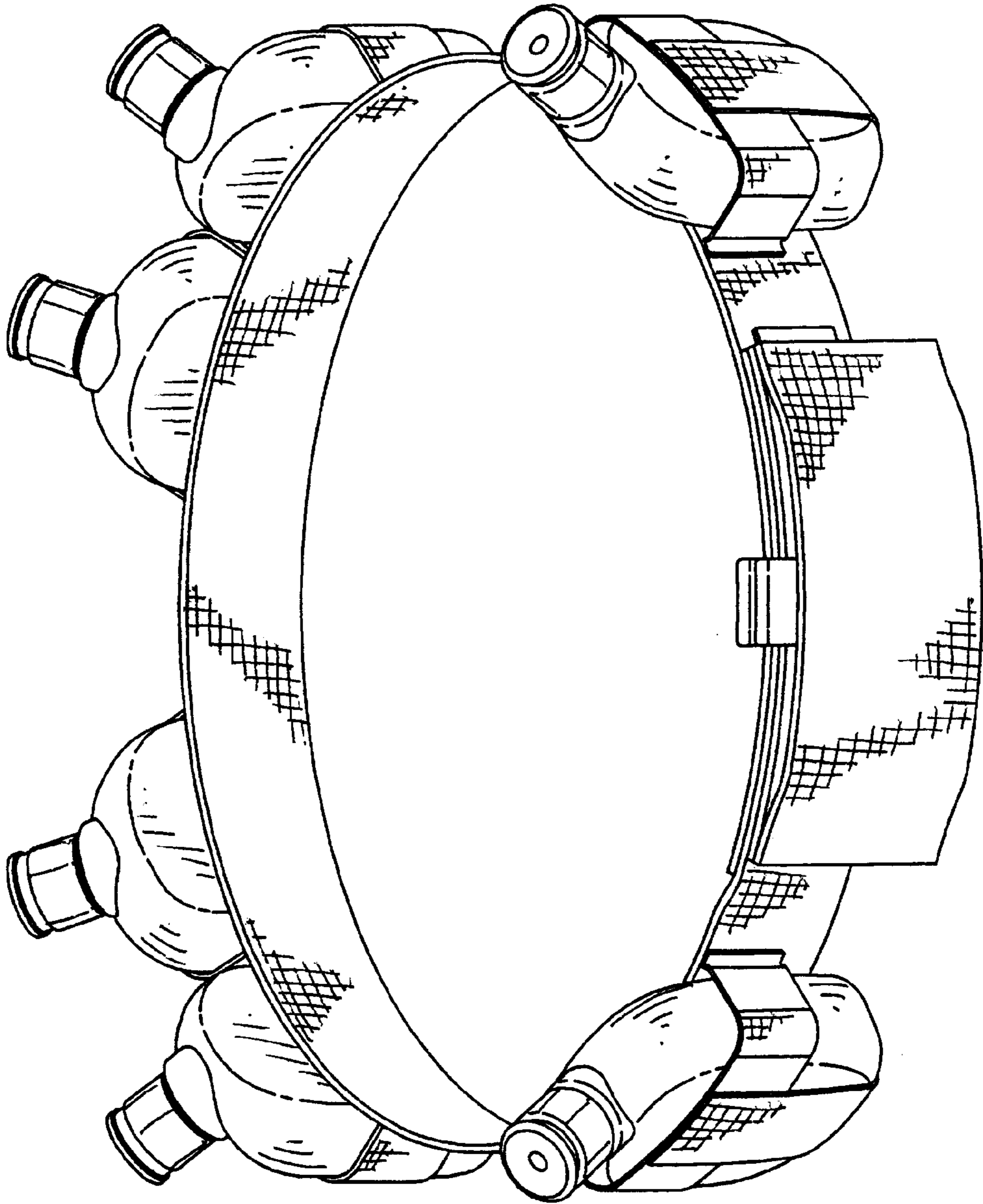


FIG. 15

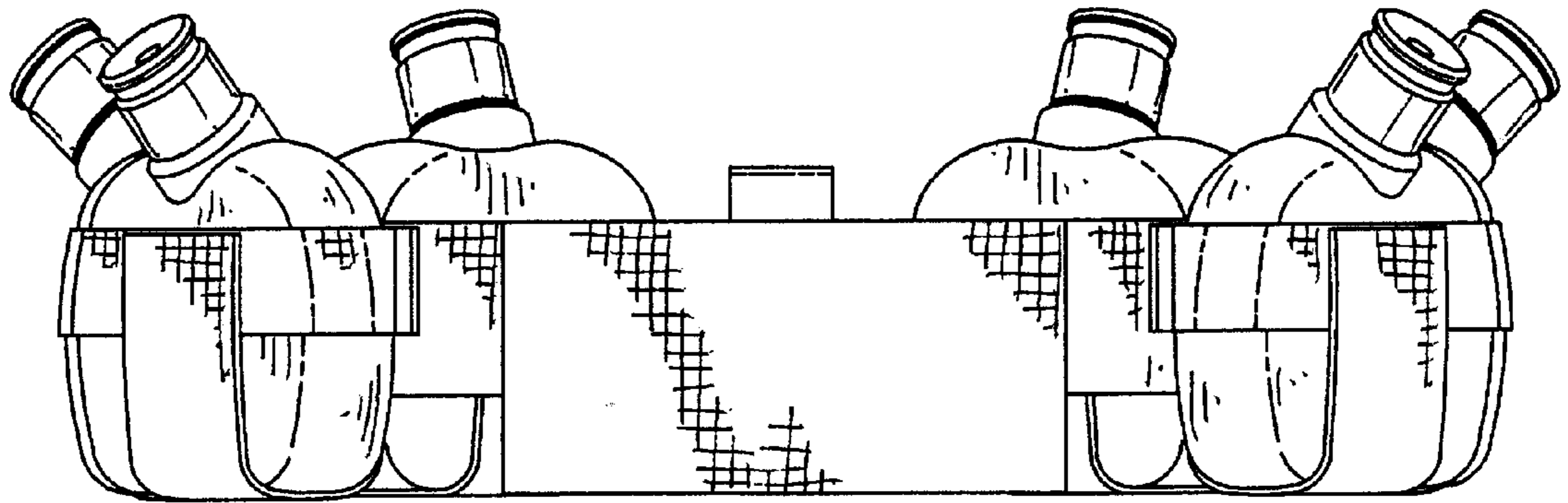


FIG. 16

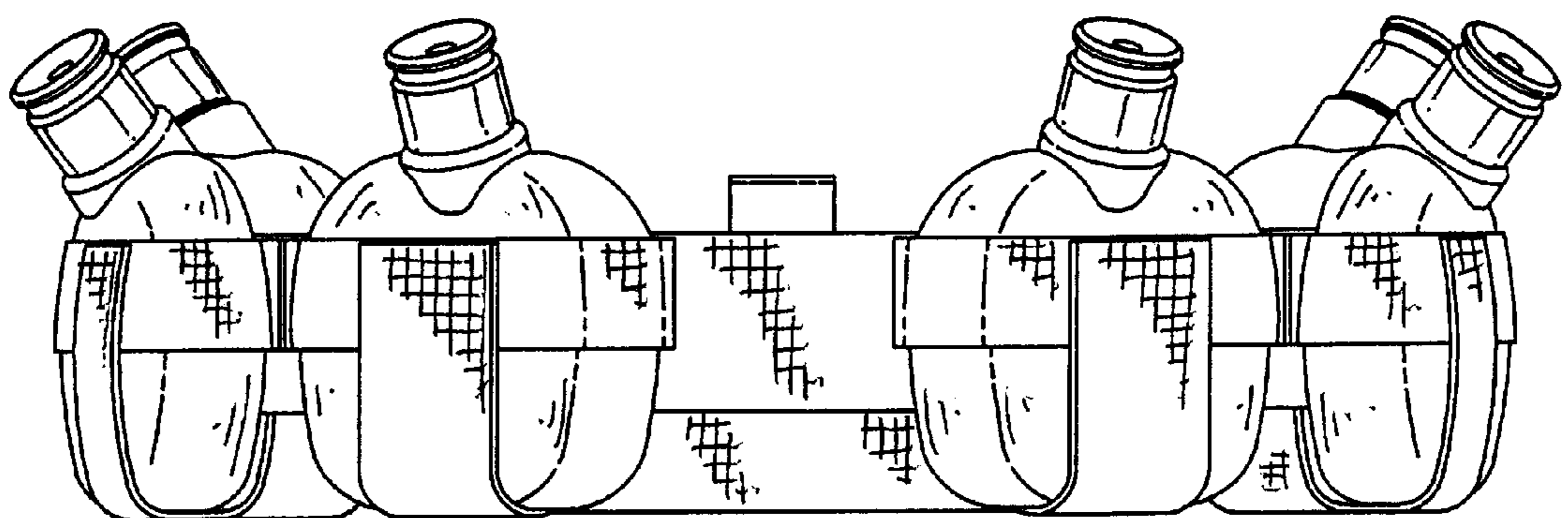


FIG. 17

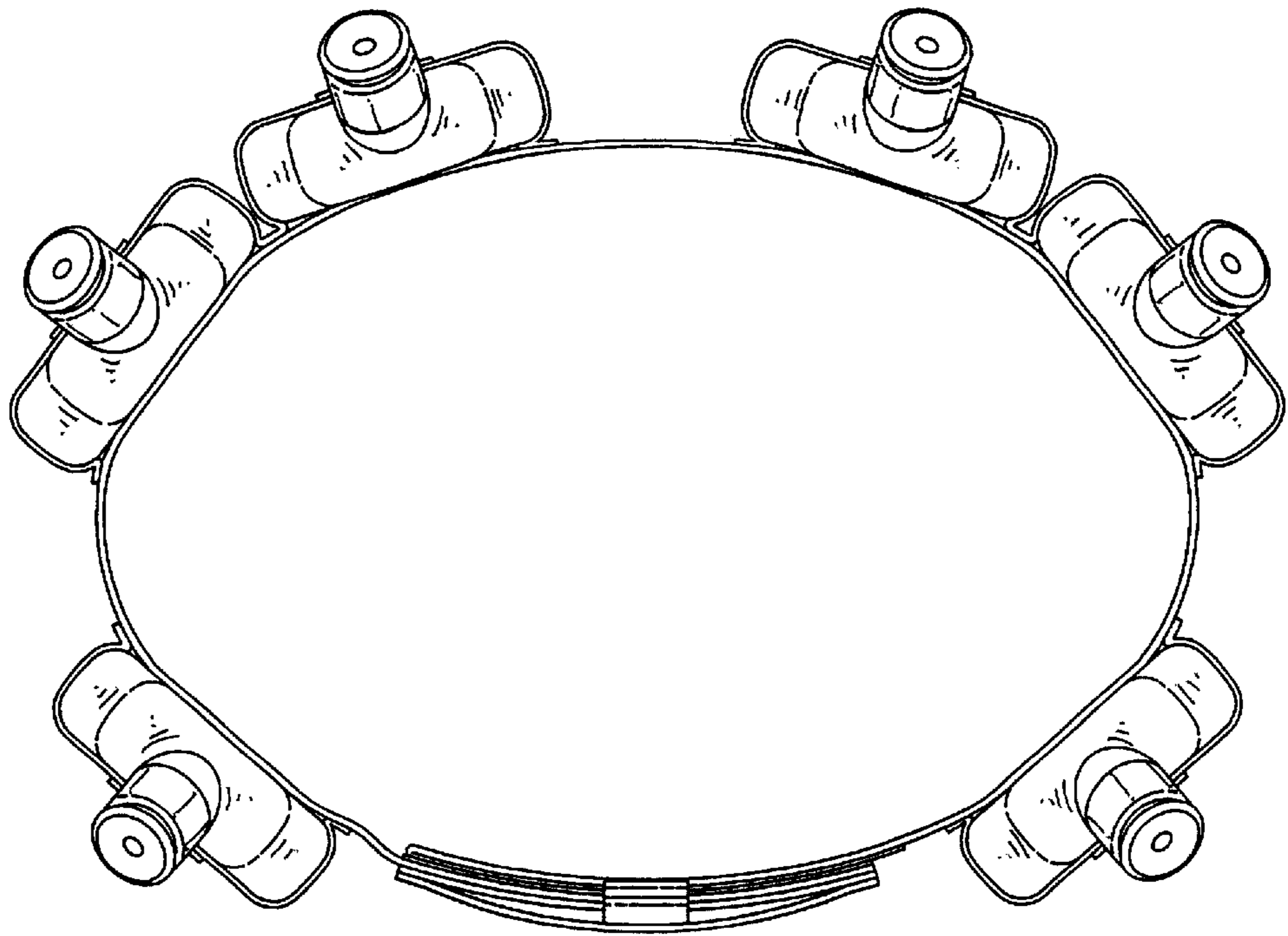


FIG. 18

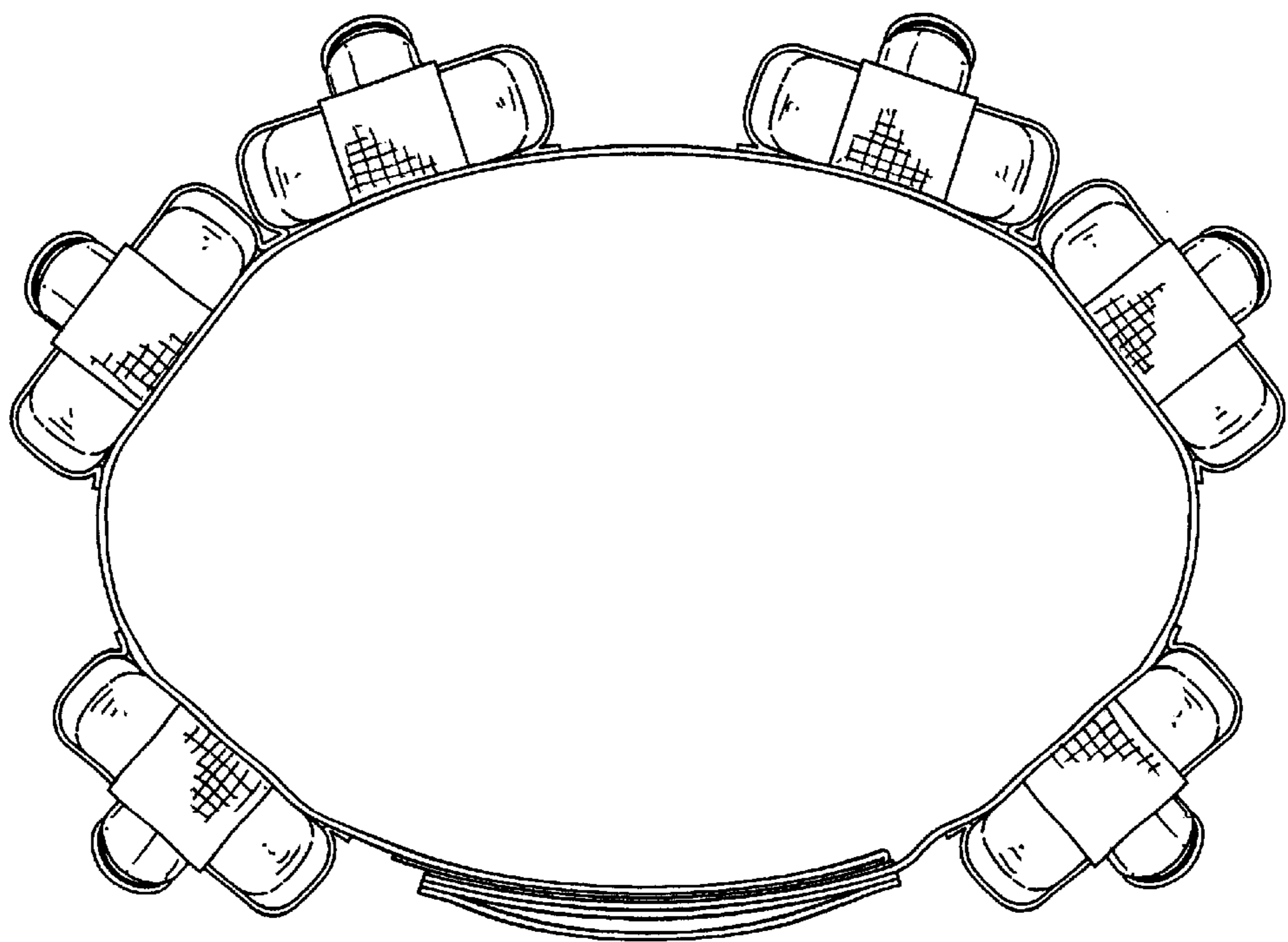


FIG. 19

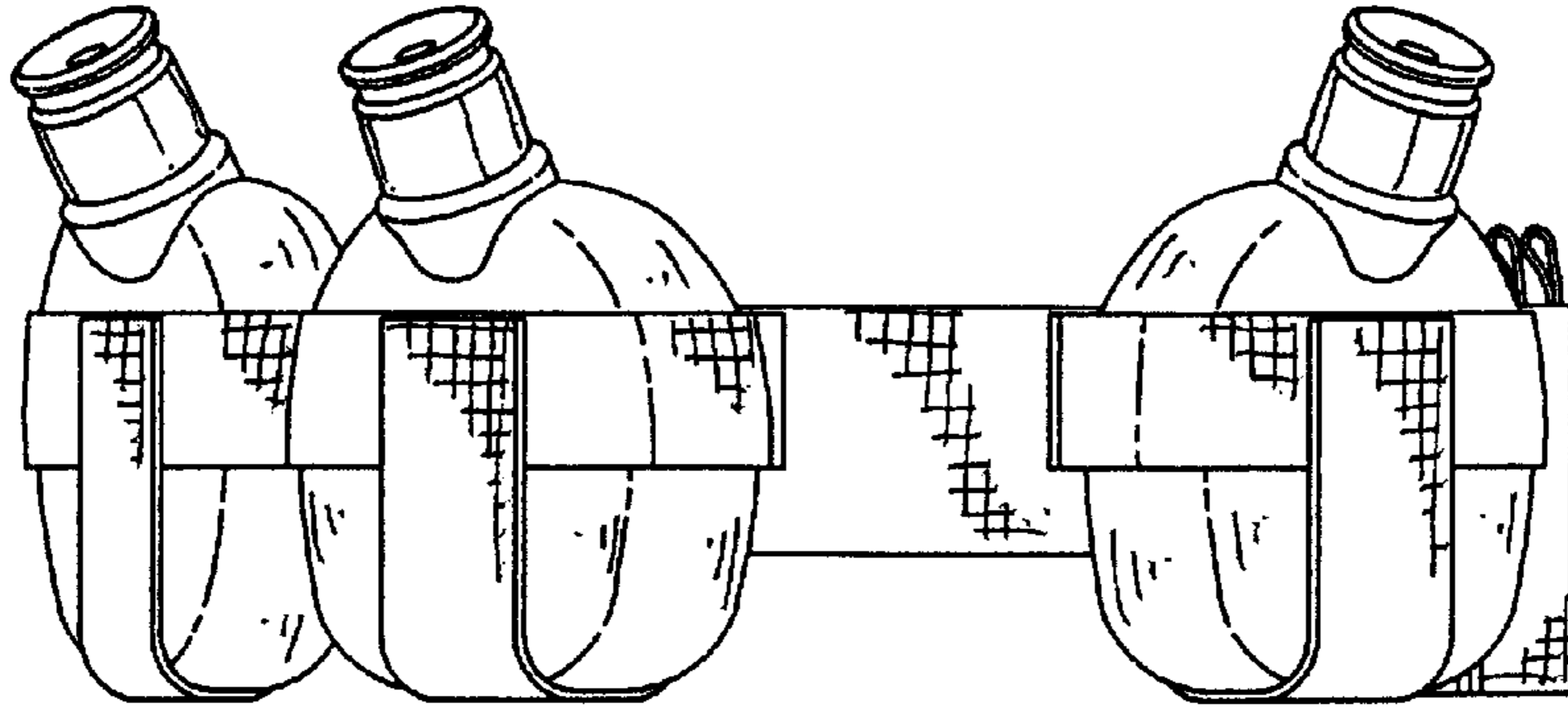


FIG. 20

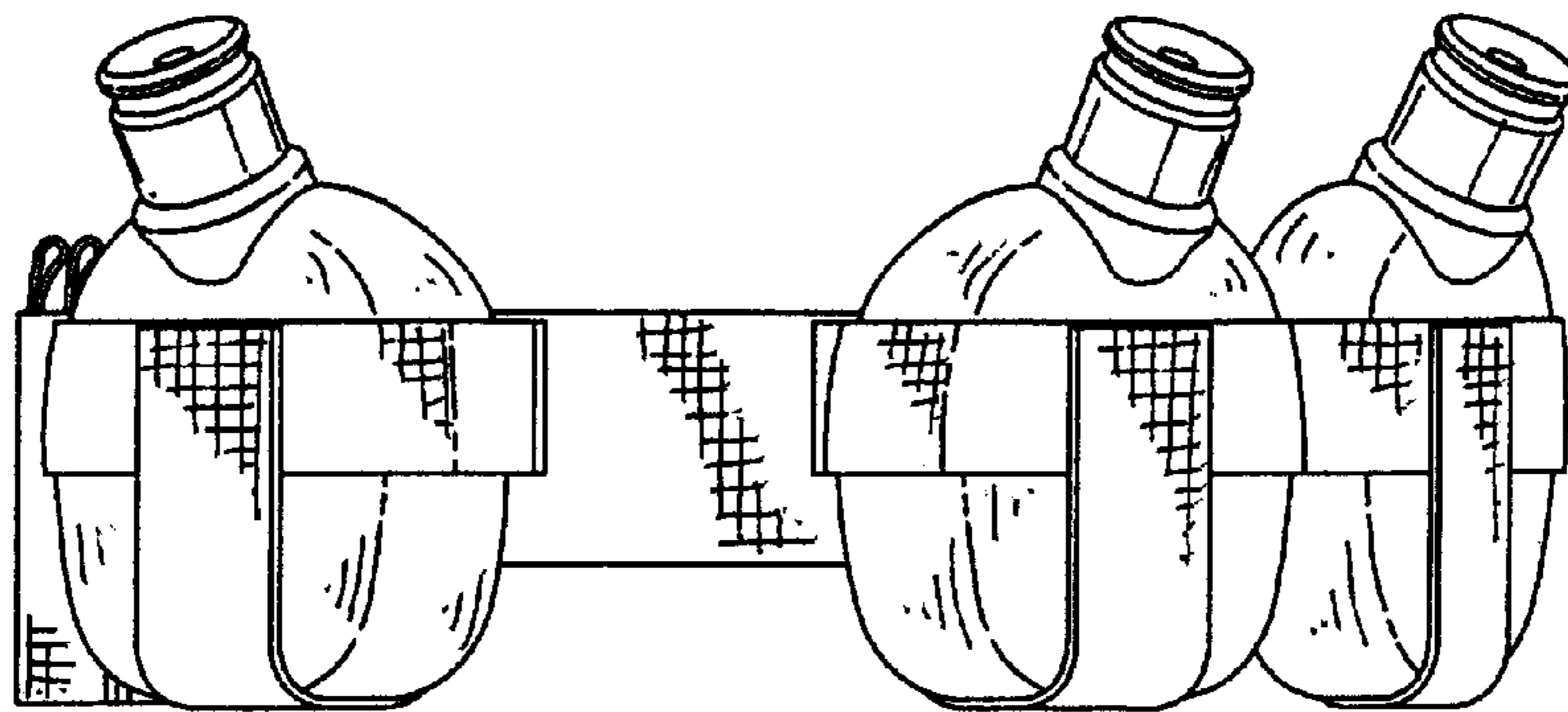


FIG. 21

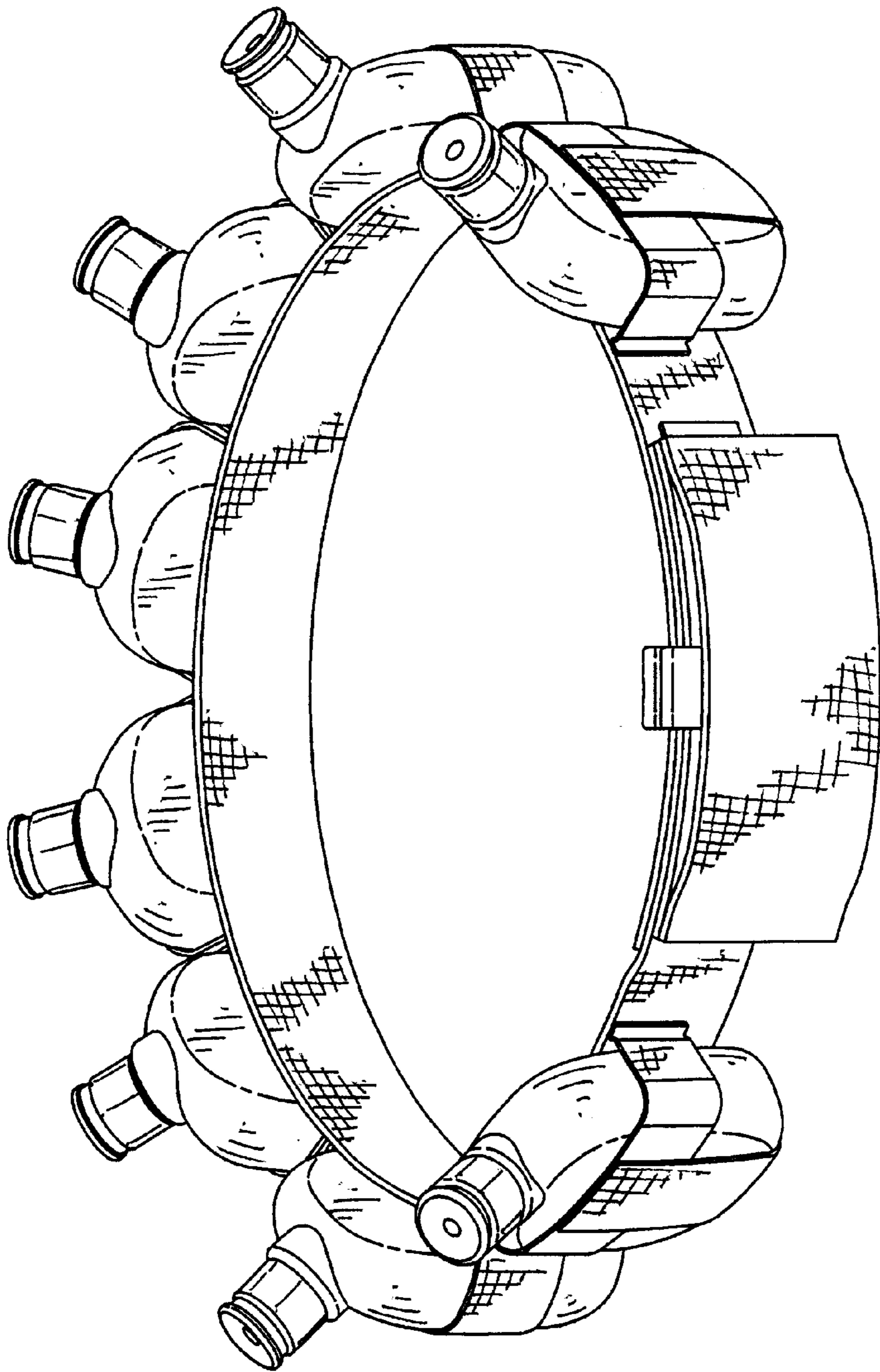


FIG. 22

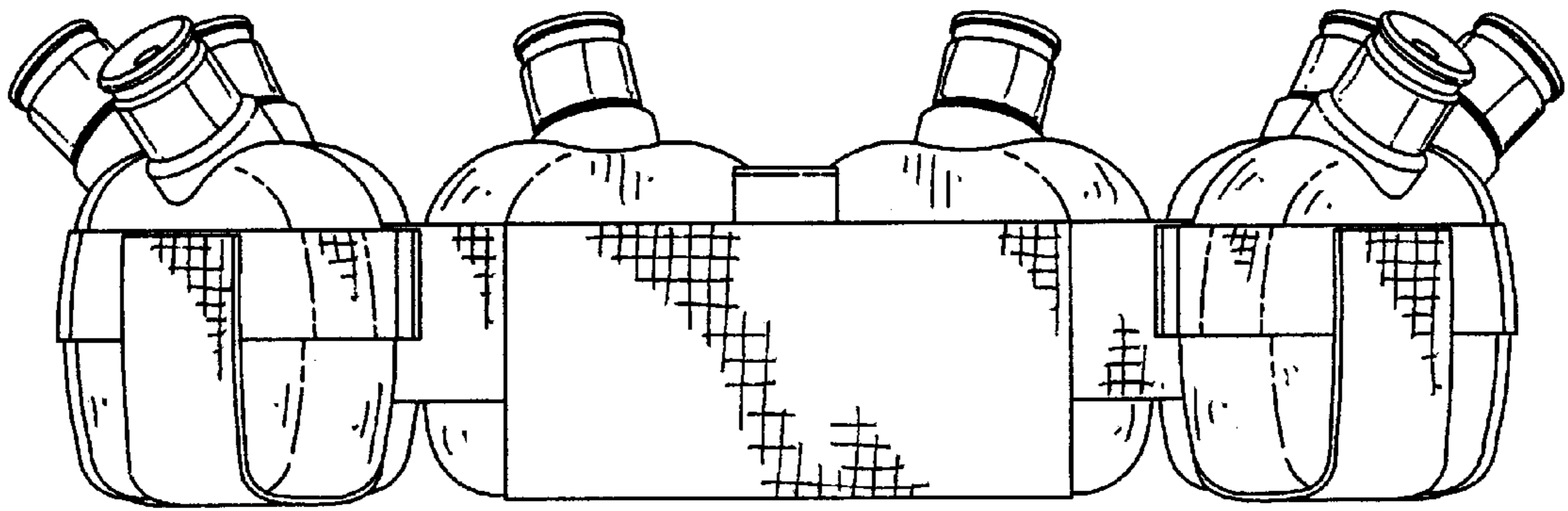


FIG. 23

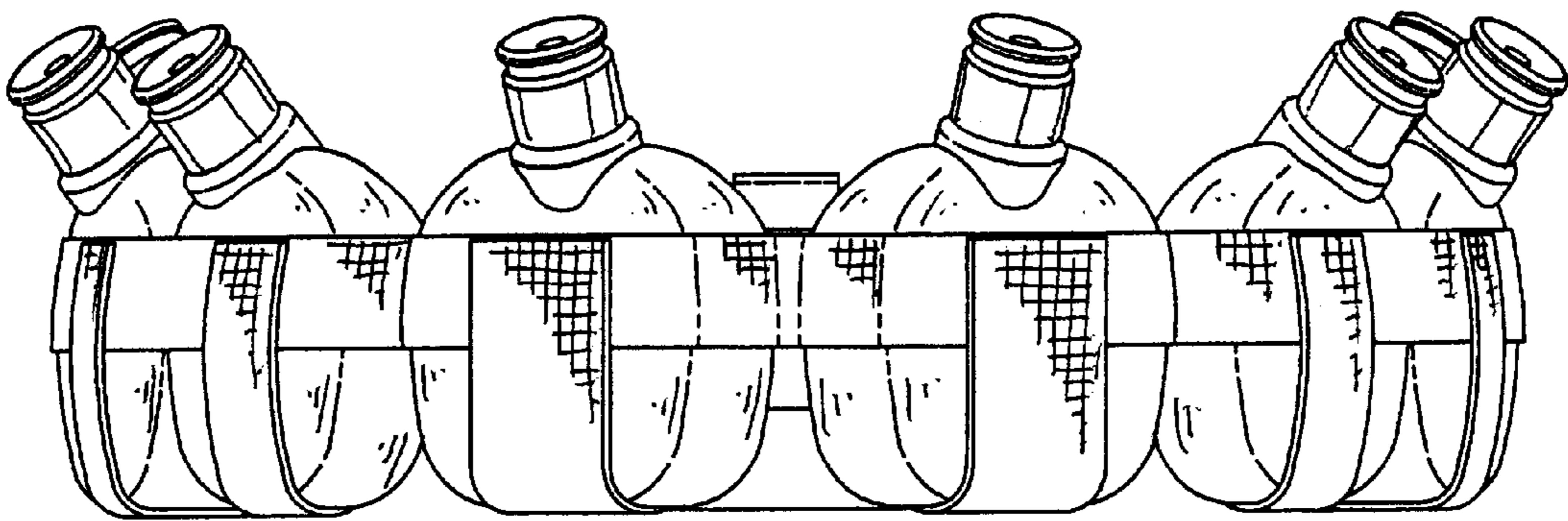


FIG. 24



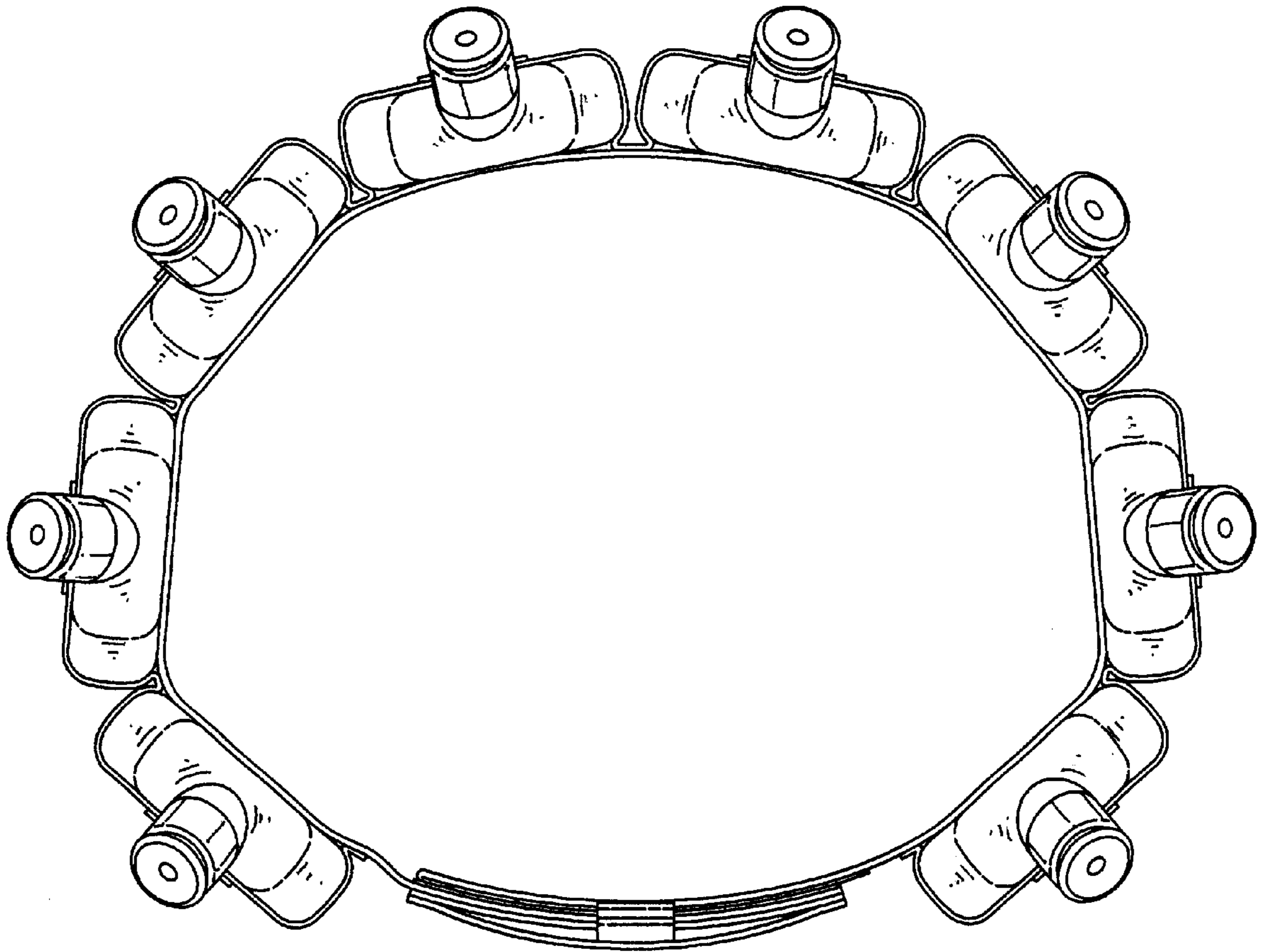


FIG. 25

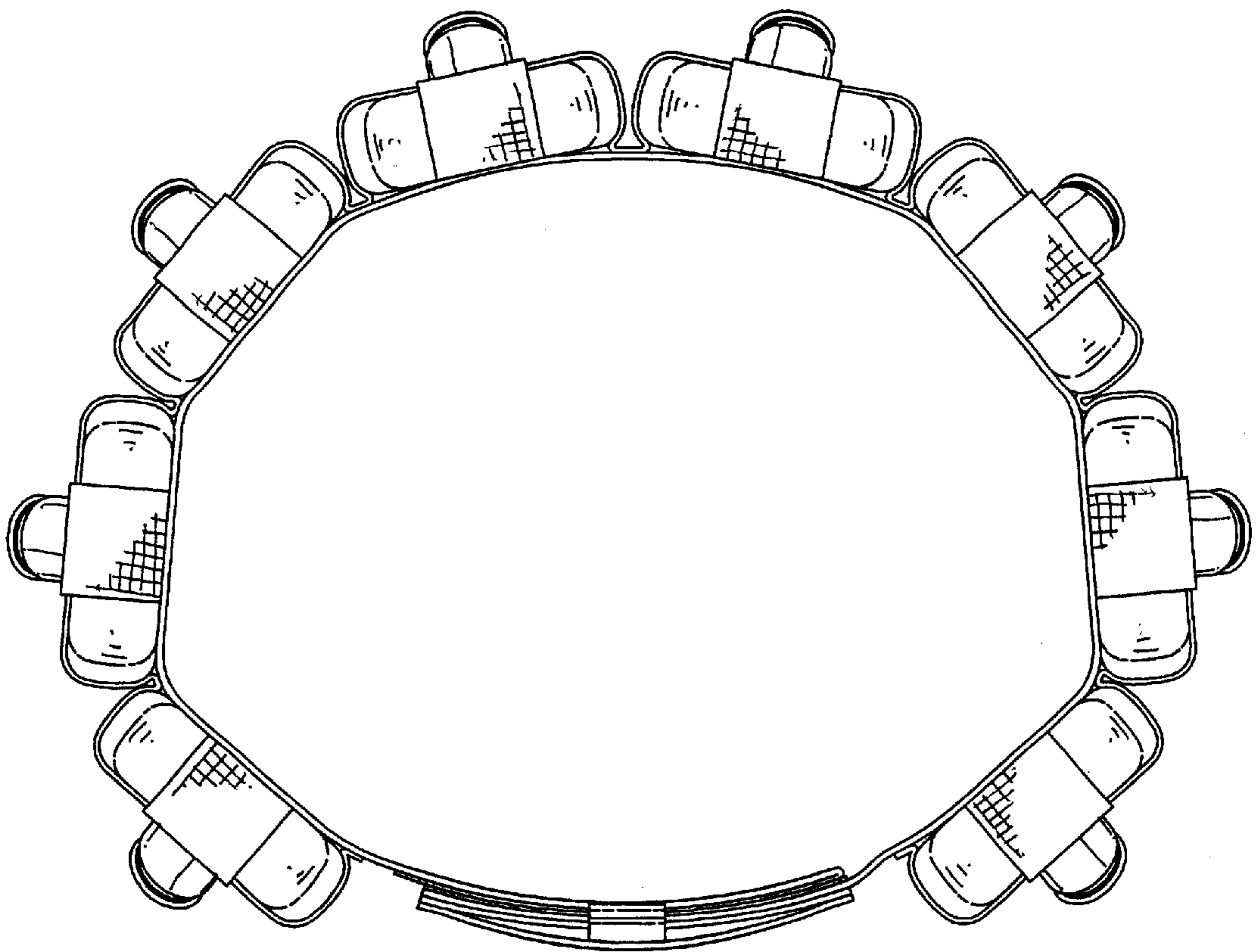


FIG. 26

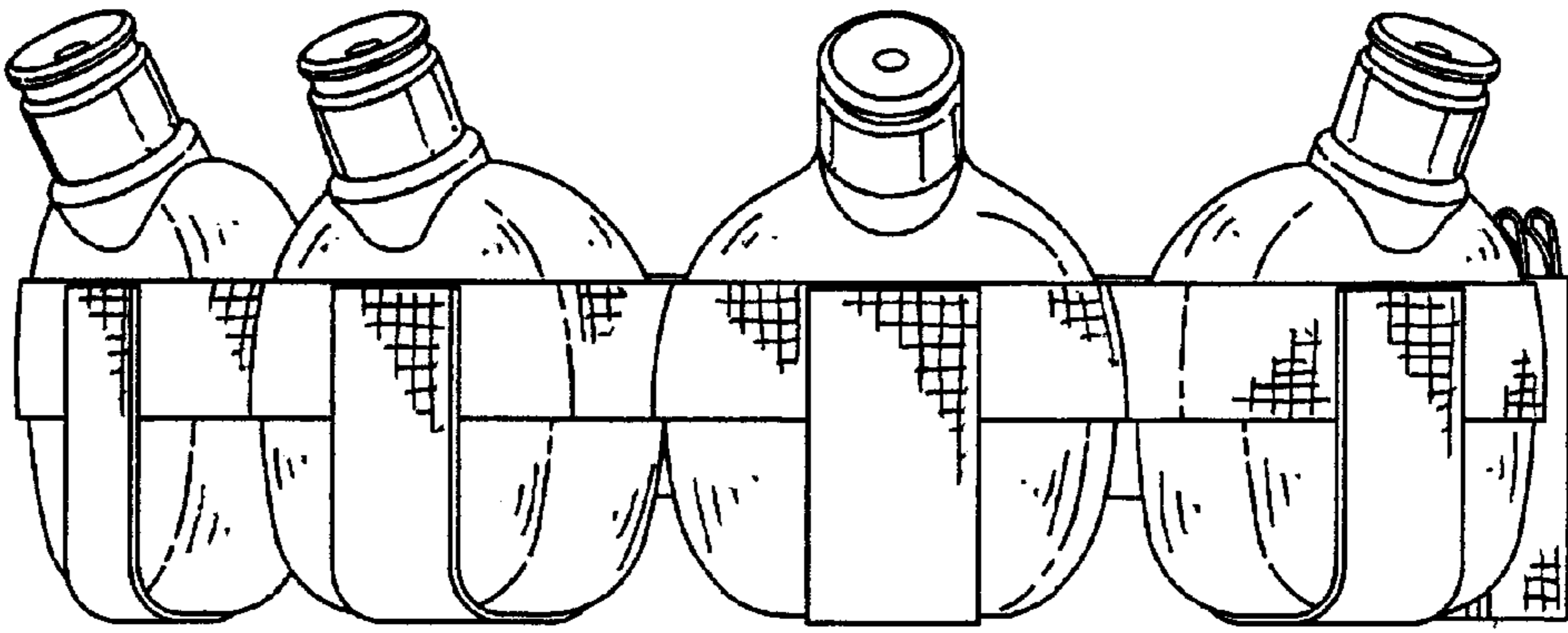


FIG. 27

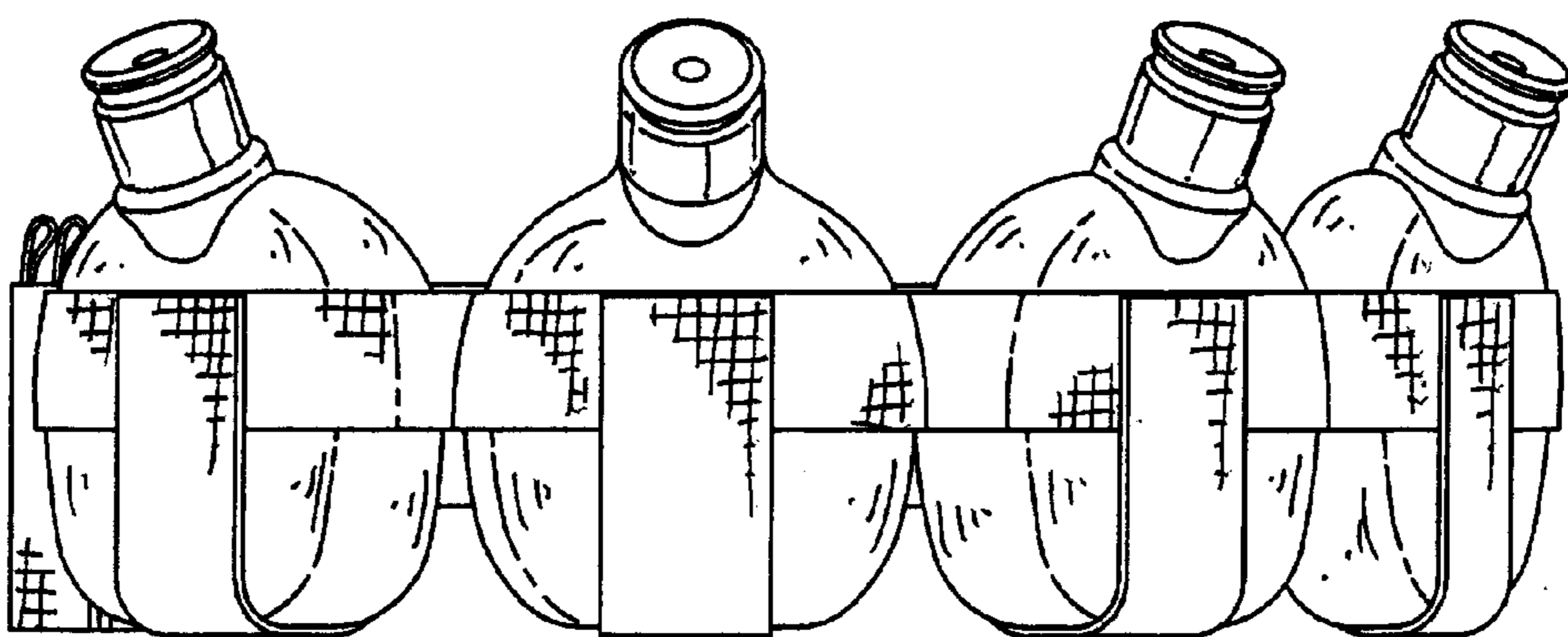


FIG. 28