



US00D444285S

(12) **United States Design Patent**
Konkle

(10) **Patent No.:** **US D444,285 S**

(45) **Date of Patent:** **** Jun. 26, 2001**

(54) **SUPPORT AND WHEEL STRUCTURE FOR A GOLF PULL-CART**

Primary Examiner—Kay H. Chin
(74) *Attorney, Agent, or Firm*—Seed IP Law Group PLLC

(75) **Inventor:** **Stephen A. Konkle**, Kirkland, WA (US)

(57) **CLAIM**

(73) **Assignee:** **Catalyst Concepts, Inc.**, Issaquah, WA (US)

The ornamental design for a support and wheel structure for a golf pull-cart, as shown and described.

(**) **Term:** **14 Years**

DESCRIPTION

(21) **Appl. No.:** **29/127,586**

FIG. 1 is a bottom, right isometric view of a support and wheel structure for a golf pull-cart showing my new design in the environment in which it is typically used.

(22) **Filed:** **Aug. 9, 2000**

FIG. 2 is a bottom, right isometric view of a support and wheel structure for a golf pull-cart.

(51) **LOC (7) Cl.** **12-02**

FIG. 3 is a top plan view thereof.

(52) **U.S. Cl.** **D34/27**

FIG. 4 is a bottom plan view thereof.

(58) **Field of Search** D34/12-27; 280/47.27, 280/47.29, 47.39, 79.11, 47.17, DIG. 6; 248/96, 205.2, 499, 505

FIG. 5 is a front elevational view thereof.

FIG. 6 is a right side elevational view thereof; the left side elevational view is a mirror image thereof; and,

(56) **References Cited**

U.S. PATENT DOCUMENTS

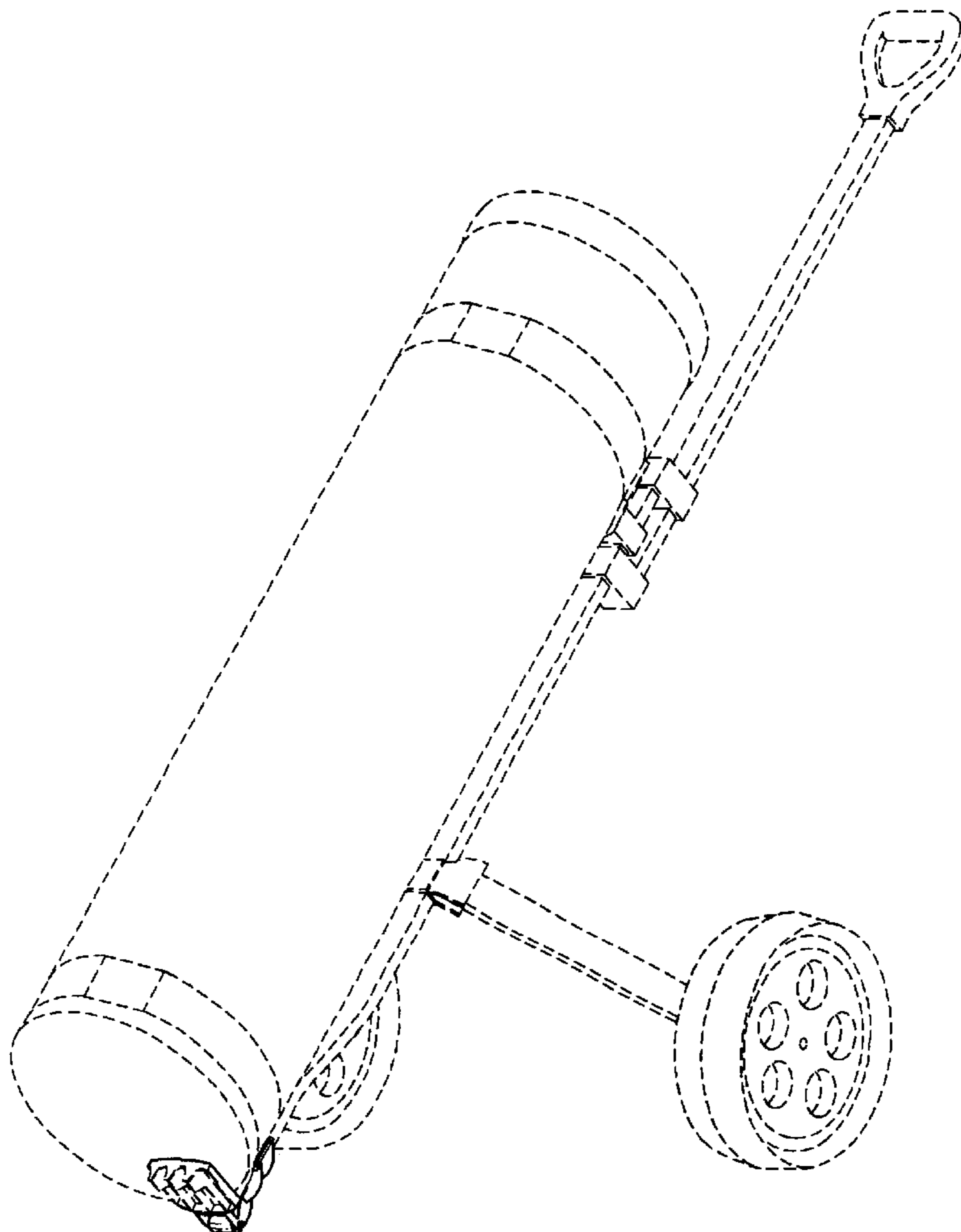
FIG. 7 is a rear elevational view thereof.

The broken lines in the figures are for illustrative purposes only and form no part of the claimed design.

D. 415,599 * 10/1999 Muckala D34/19
5,871,183 2/1999 Milluzzi .

* cited by examiner

1 Claim, 5 Drawing Sheets



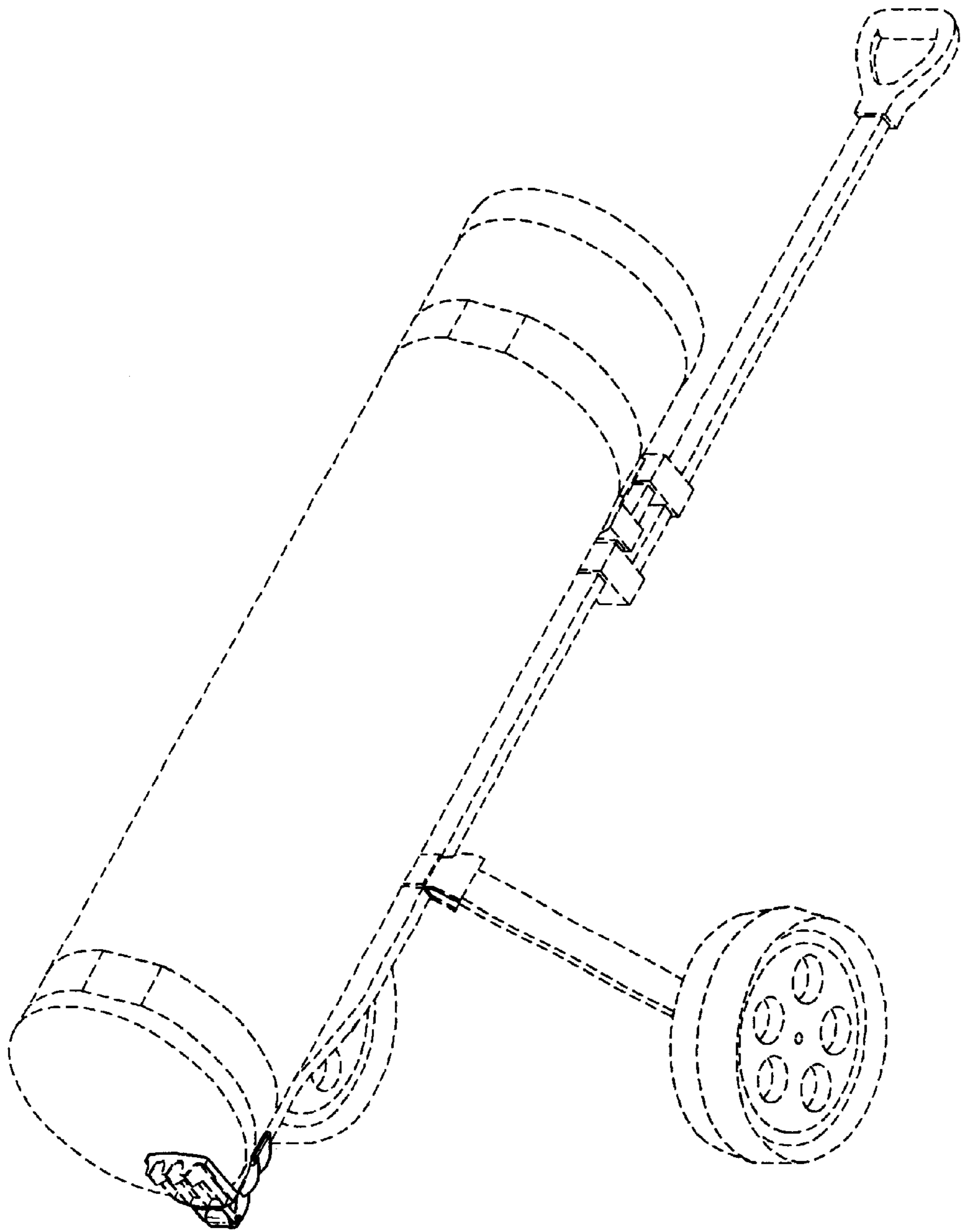


Fig. 1

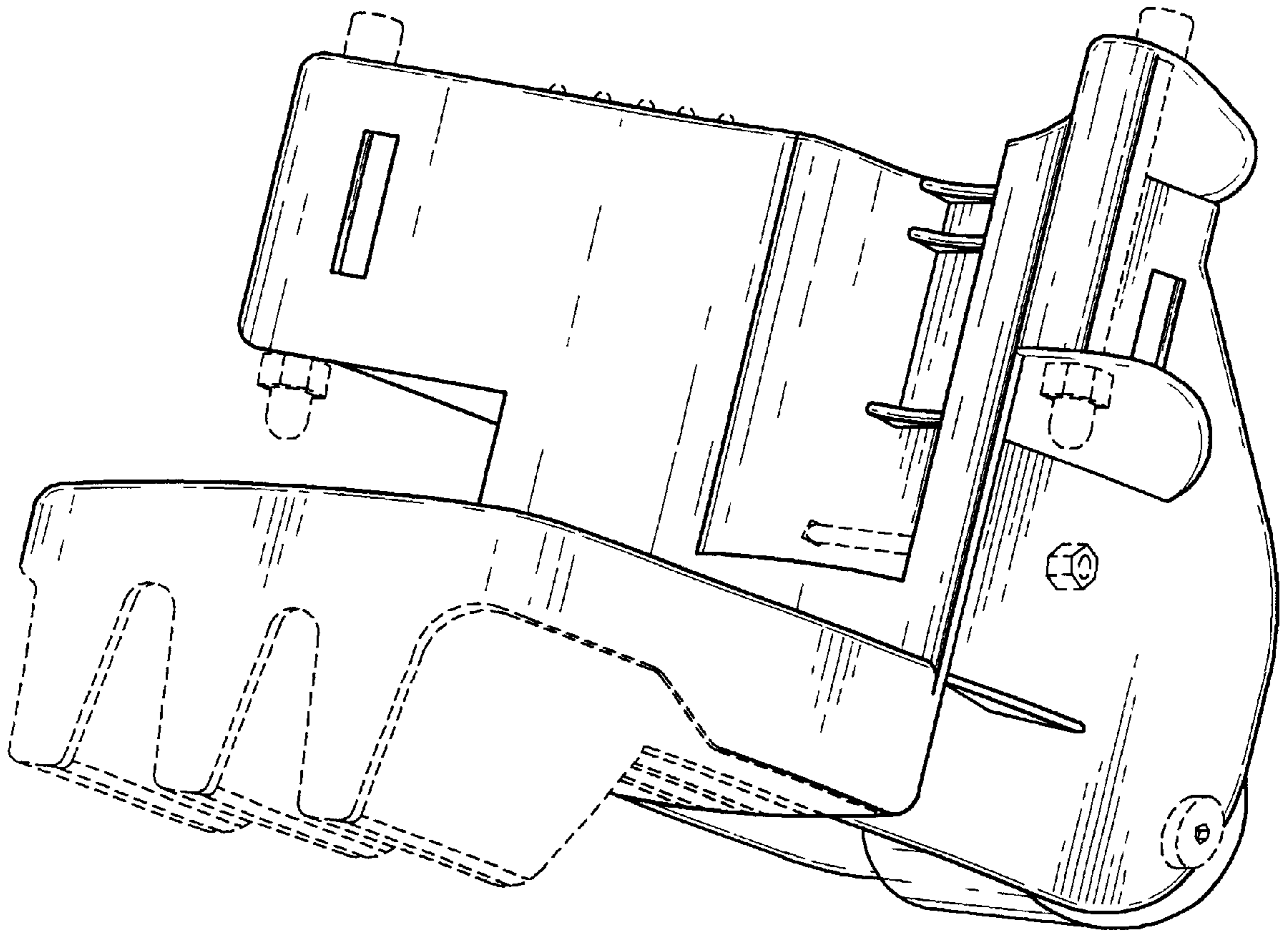


Fig. 2

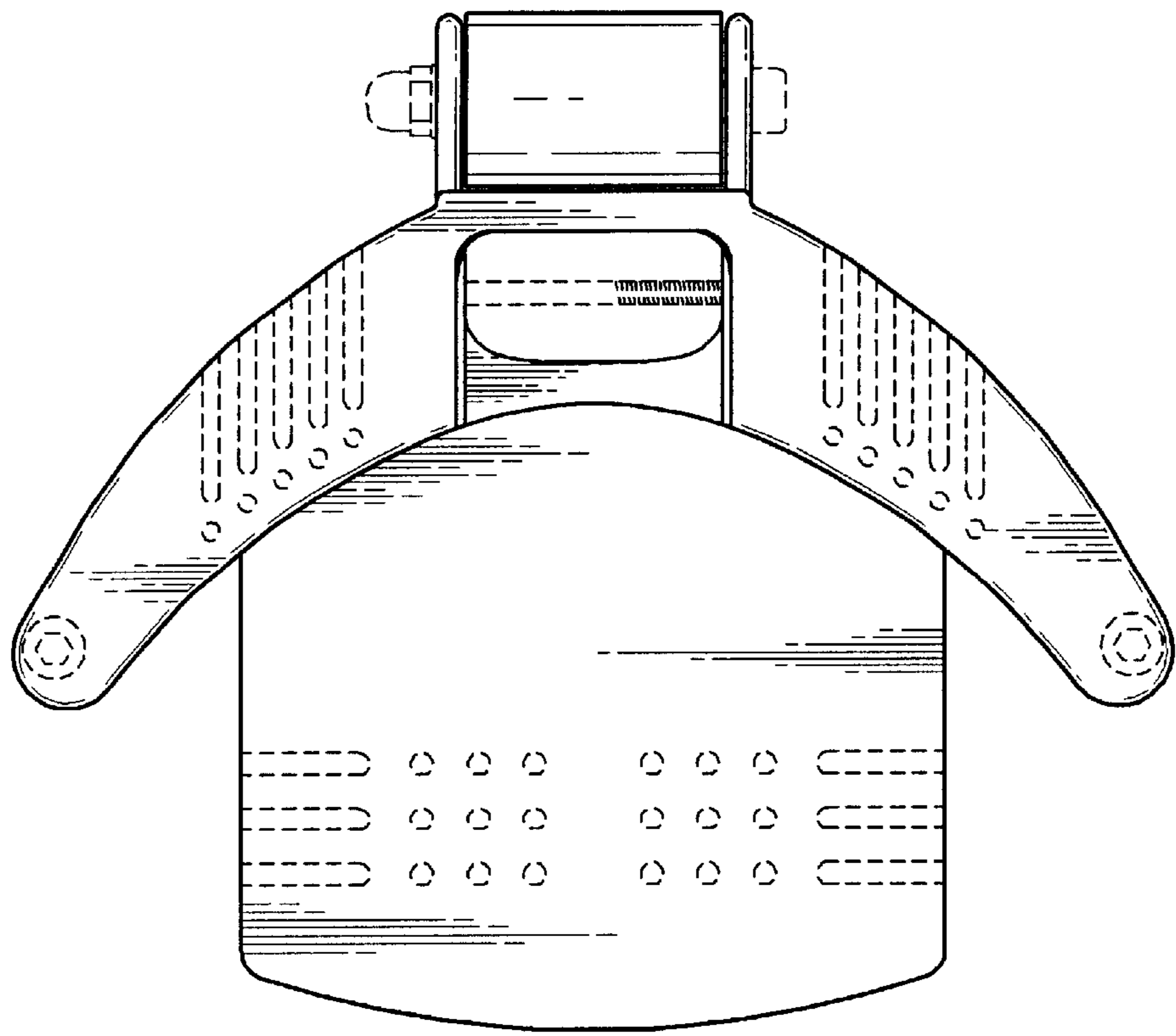


Fig. 3

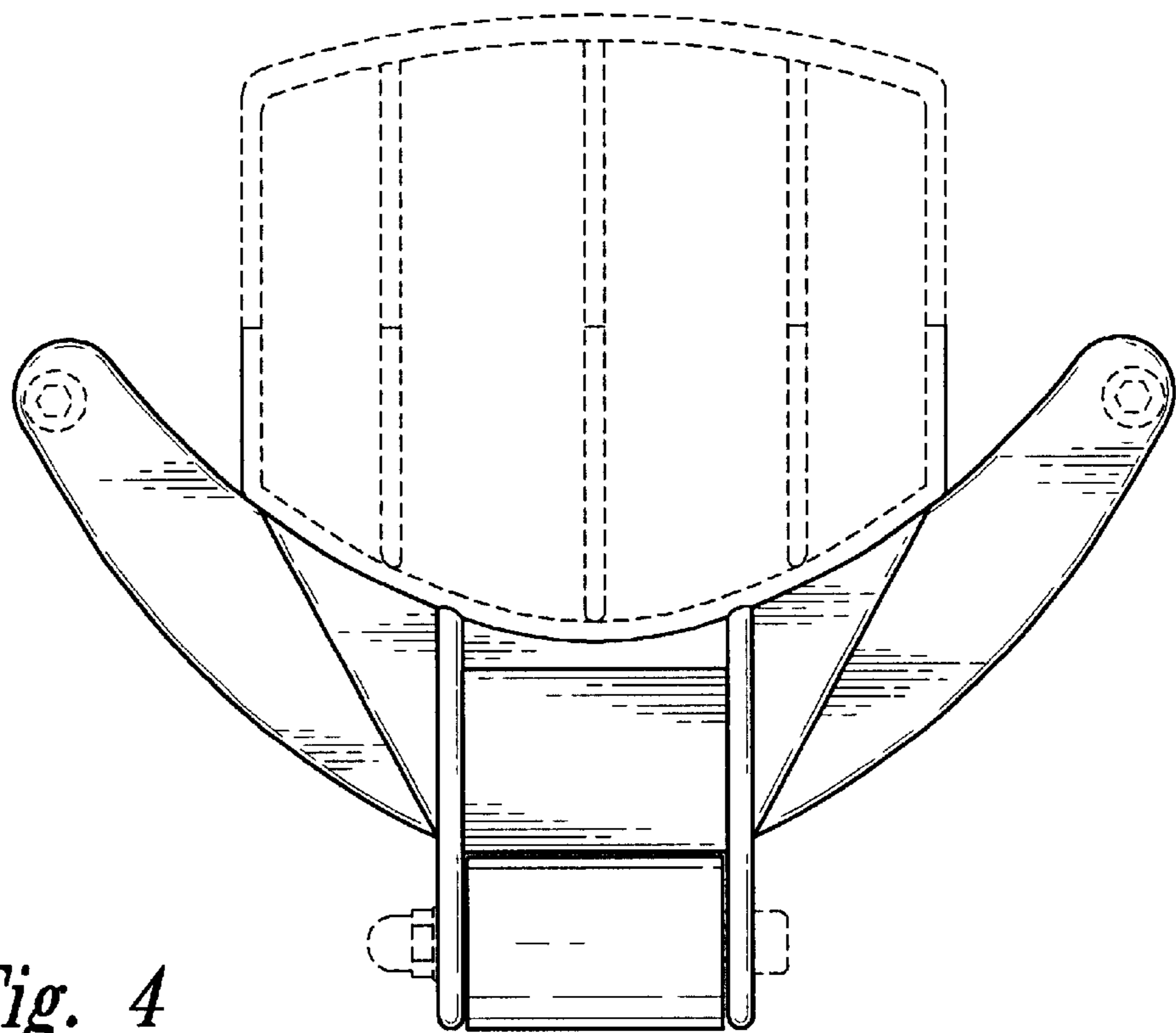


Fig. 4

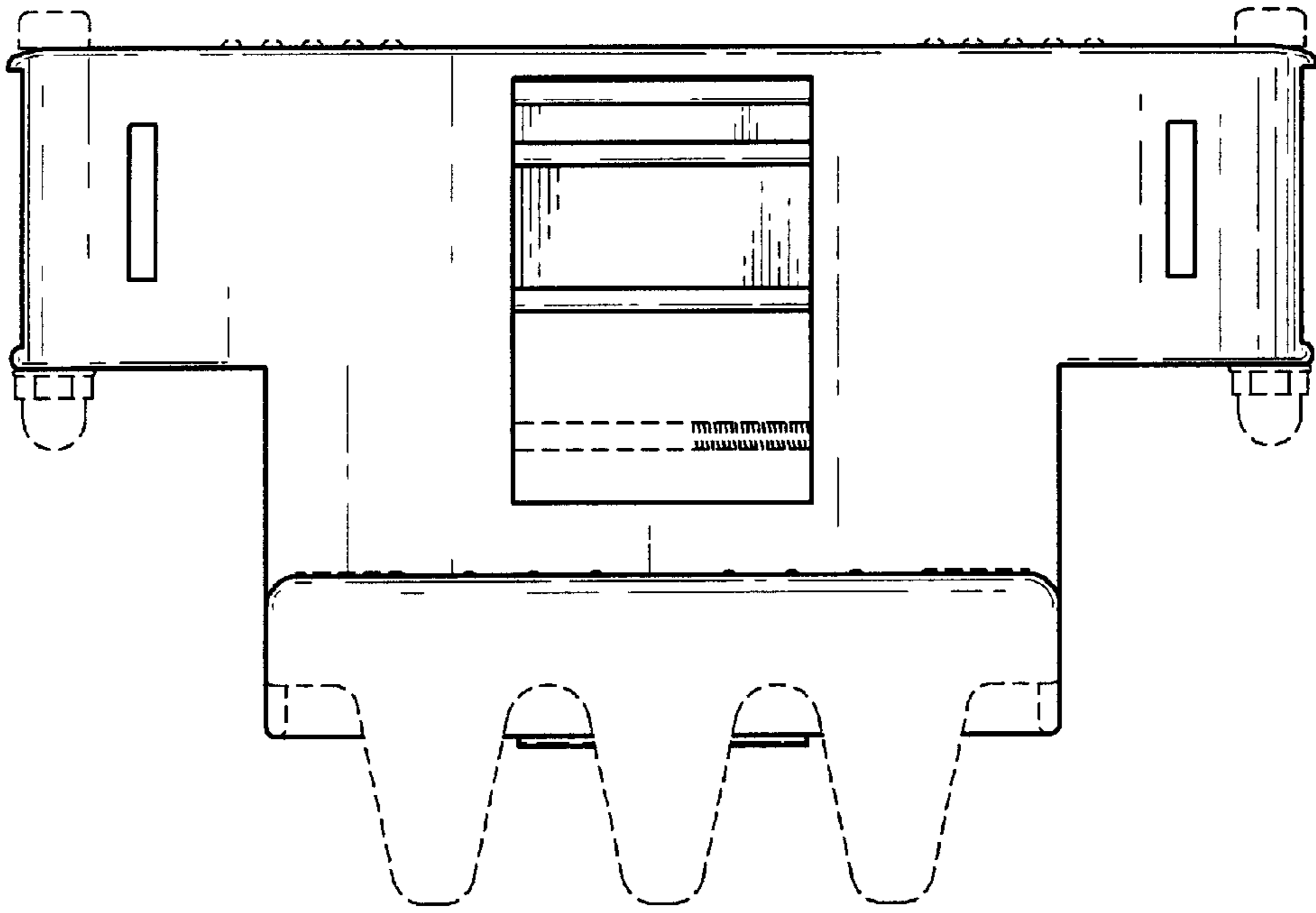


Fig. 5

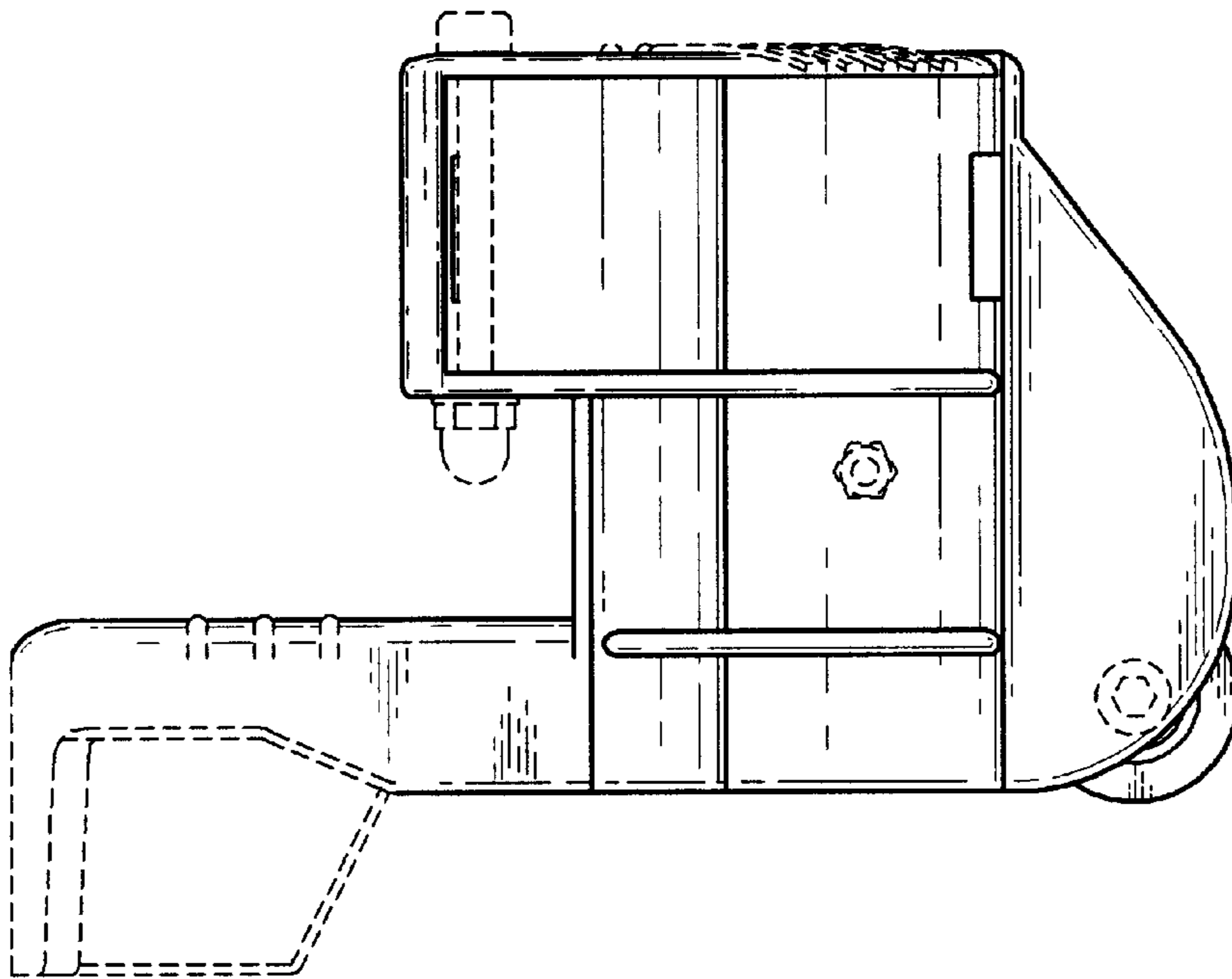


Fig. 6

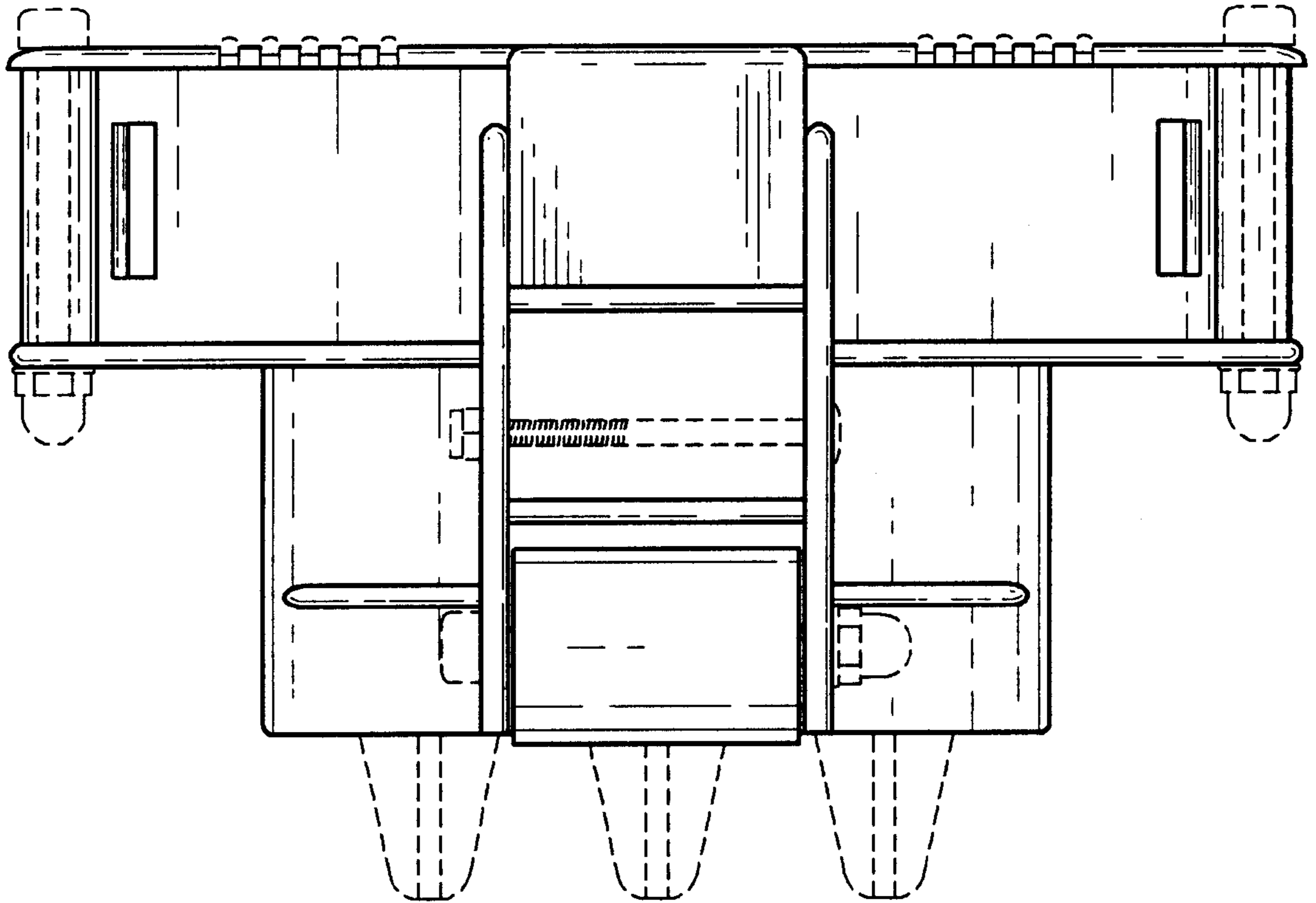


Fig. 7