



US00D444281S

(12) **United States Design Patent**  
**Gaze et al.**

(10) **Patent No.:** **US D444,281 S**  
(45) **Date of Patent:** **\*\* Jun. 26, 2001**

(54) **SUPERMARKET SHOPPING TROLLEY**

4,647,055 \* 3/1987 Weill ..... 280/33.992

(75) Inventors: **Martin Gaze**, Woking (GB); **Peter R Drury**, Sydney (AU); **Stuart Daykin**, Mapperley (GB)

\* cited by examiner

(73) Assignee: **Carte 2000 Limited**, Wanchai (HK)

*Primary Examiner*—Kay H. Chin  
(74) *Attorney, Agent, or Firm*—Hodgson Russ LLP

(\*\*) Term: **14 Years**

(57) **CLAIM**

(21) Appl. No.: **29/086,348**

The ornamental design for a supermarket shopping trolley, as shown and described.

(22) Filed: **Apr. 10, 1998**

**DESCRIPTION**

(30) **Foreign Application Priority Data**

Oct. 13, 1997 (GB) ..... 2069777

(51) **LOC (7) Cl.** ..... **12-02**

(52) **U.S. Cl.** ..... **D34/19; D34/17**

(58) **Field of Search** ... D34/12-27; 280/33.991-33.997,  
280/47.34, 47.35

FIG. 1 is a front elevational view of a supermarket shopping trolley showing my new design;

FIG. 2 is a side elevational view thereof, the opposite side being identical;

FIG. 3 is a rear elevational view thereof;

FIG. 4 is a top plan view thereof; and,

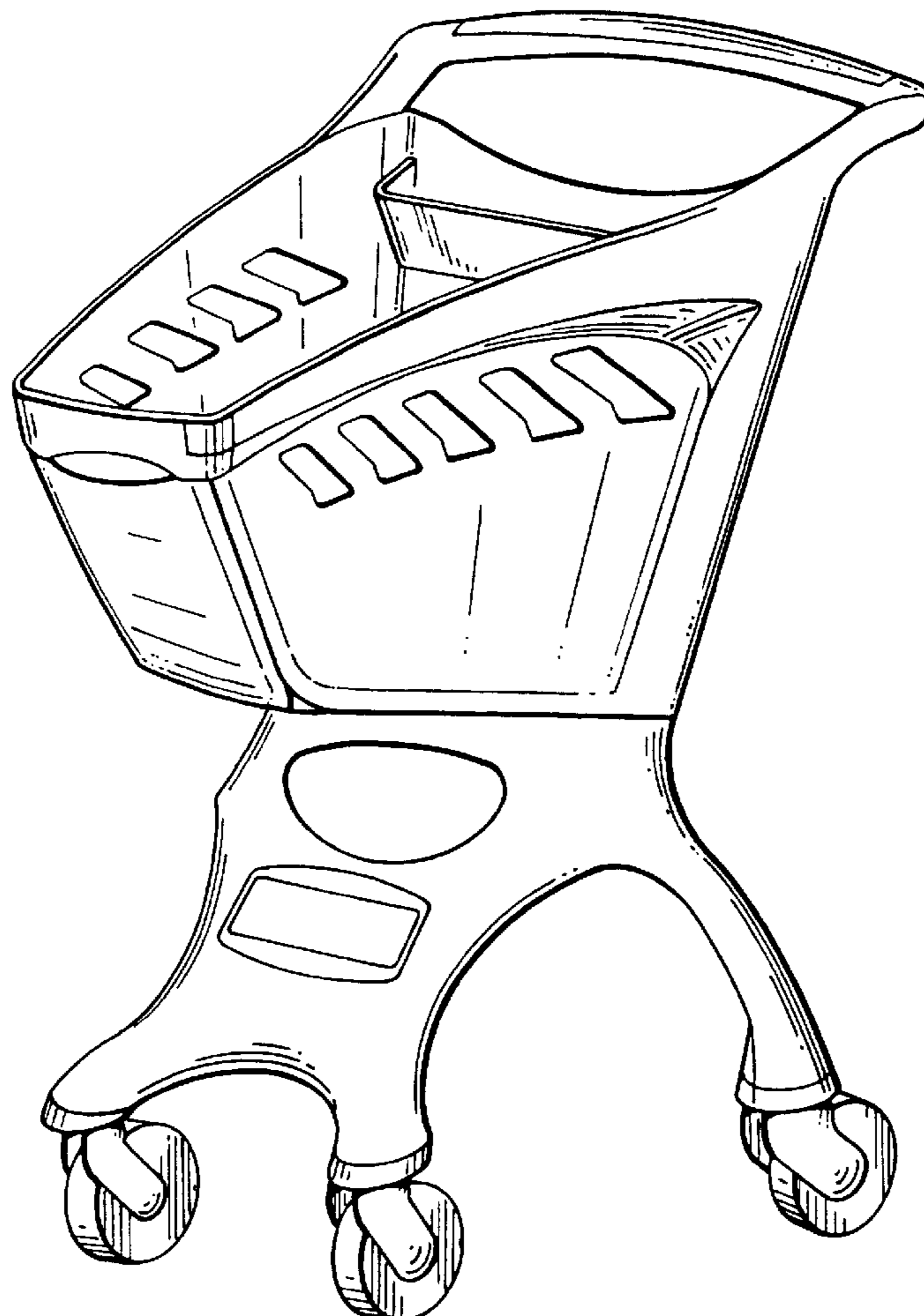
FIG. 5 is a perspective view thereof.

(56) **References Cited**

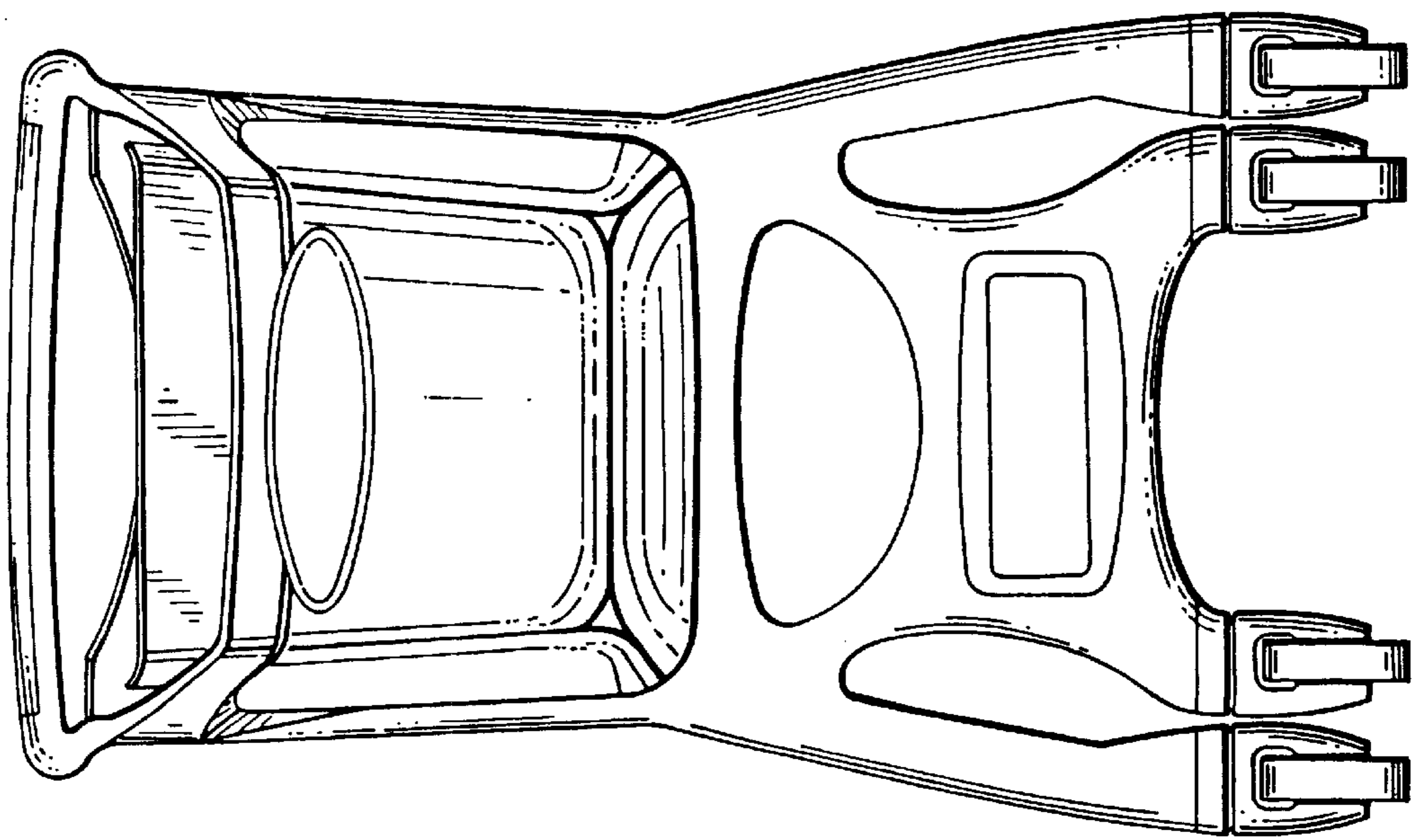
**U.S. PATENT DOCUMENTS**

4,335,892 \* 6/1982 Berlin ..... 280/33.991

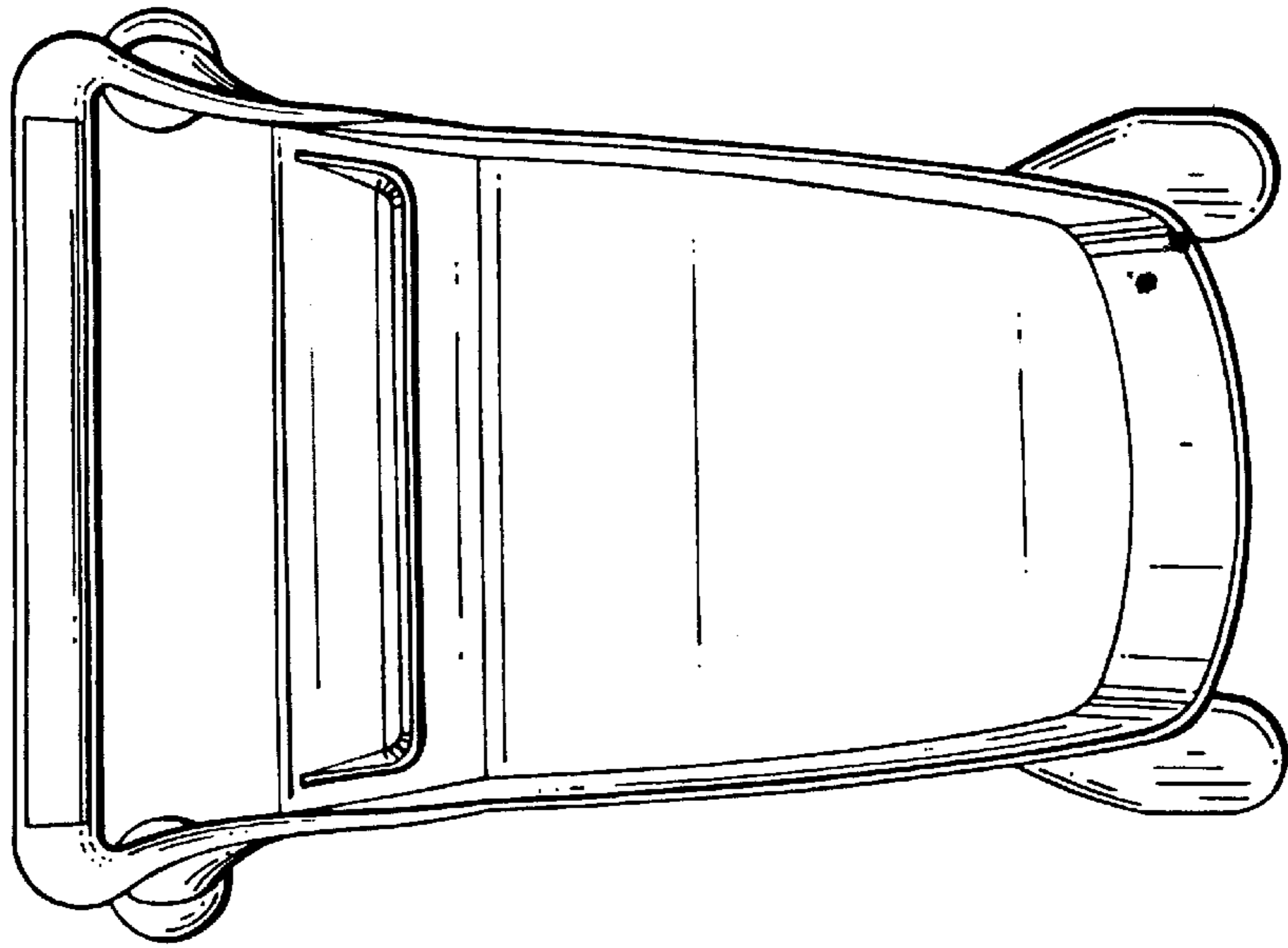
**1 Claim, 3 Drawing Sheets**



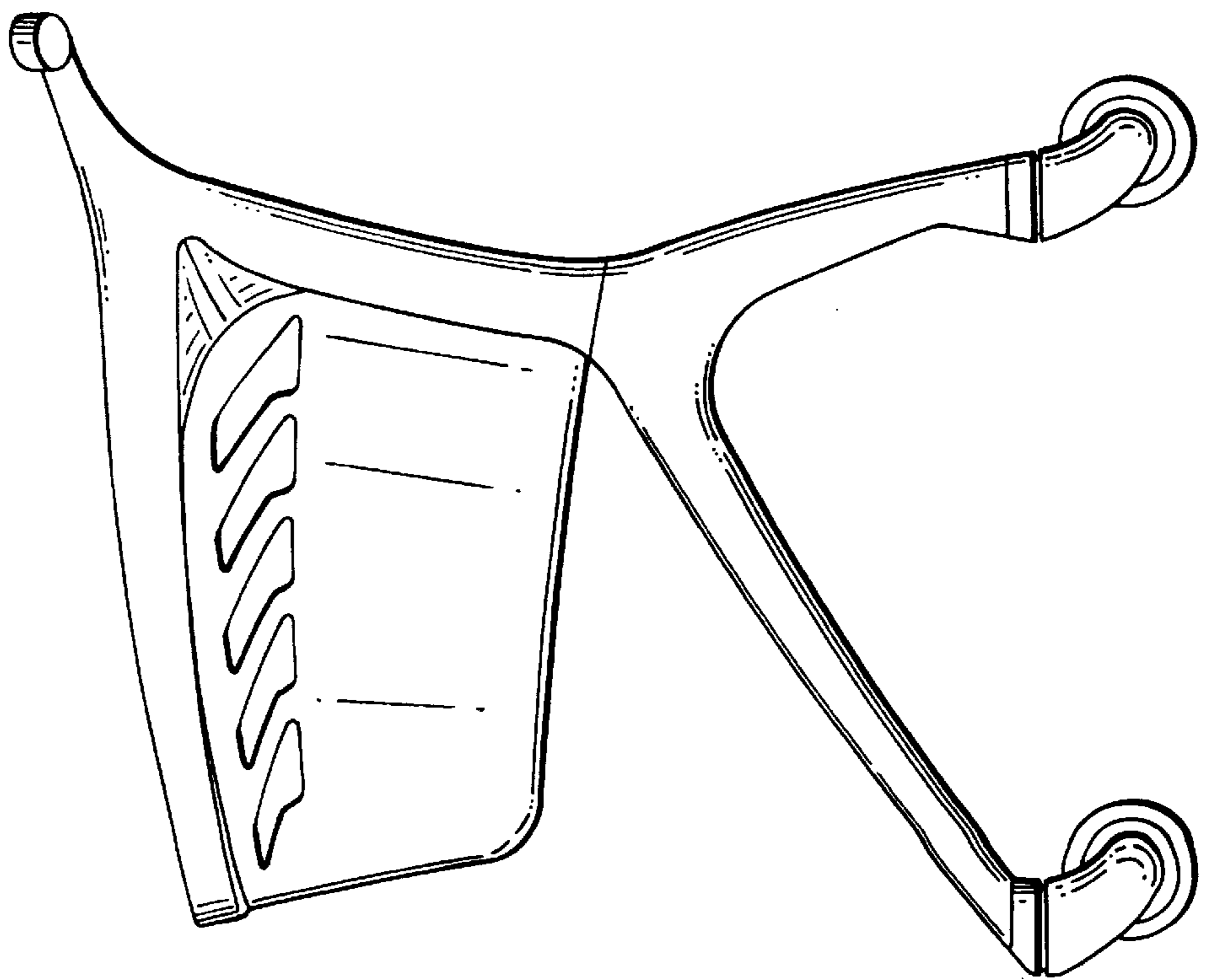
**FIG. 1**



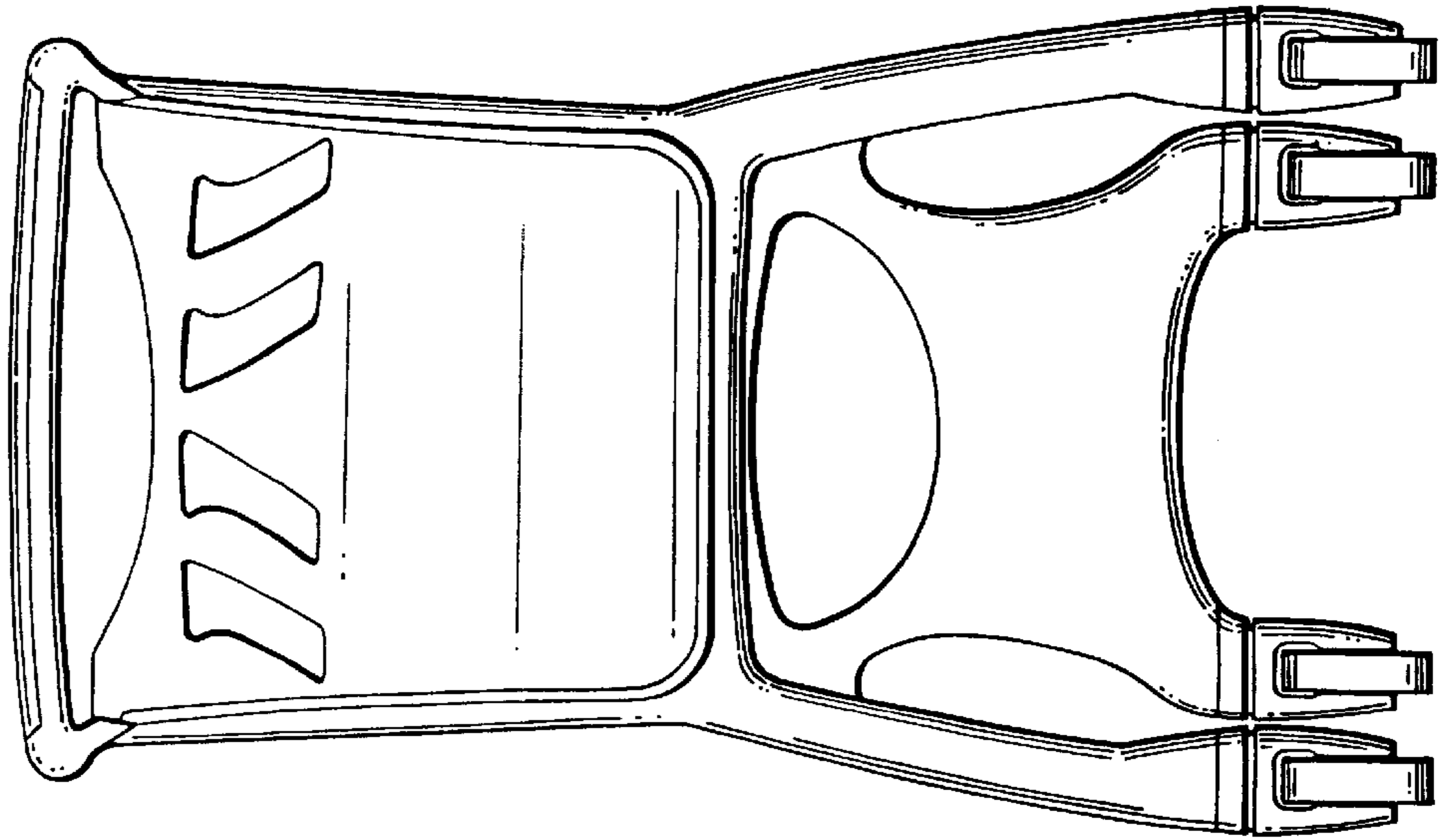
**FIG. 4**



**FIG. 2**



**FIG. 3**



**FIG. 5**

