



US00D444280S

(12) **United States Design Patent**
Rief et al.

(10) **Patent No.:** **US D444,280 S**

(45) **Date of Patent:** **** Jun. 26, 2001**

(54) **TWO WHEEL POOL CLEANER**

5,097,559 * 3/1992 Brunt et al. 15/1.7

(76) Inventors: **Dieter J. Rief; Manuela Rief;**
Rosemarie Rief, all of 2780 Bardy Rd.,
Santa Rosa, CA (US) 95404

* cited by examiner

(**) Term: **14 Years**

Primary Examiner—Louis S. Zarfaz
Assistant Examiner—Robert A. Delehanty
(74) *Attorney, Agent, or Firm*—Johnson & Stainbrook;
Larry D. Johnson; Craig M. Stainbrook

(21) Appl. No.: **29/126,777**

(57) **CLAIM**

(22) Filed: **Jul. 24, 2000**

The ornamental design for a two wheel pool cleaner, as shown and described.

(51) **LOC (7) Cl.** **15-05**

(52) **U.S. Cl.** **D34/15**

(58) **Field of Search** D32/1, 15, 21,
D32/25, 28; 15/1.7; 55/373; 180/116, 119,
120, 125, 130; 210/169, 416.2, 460

DESCRIPTION

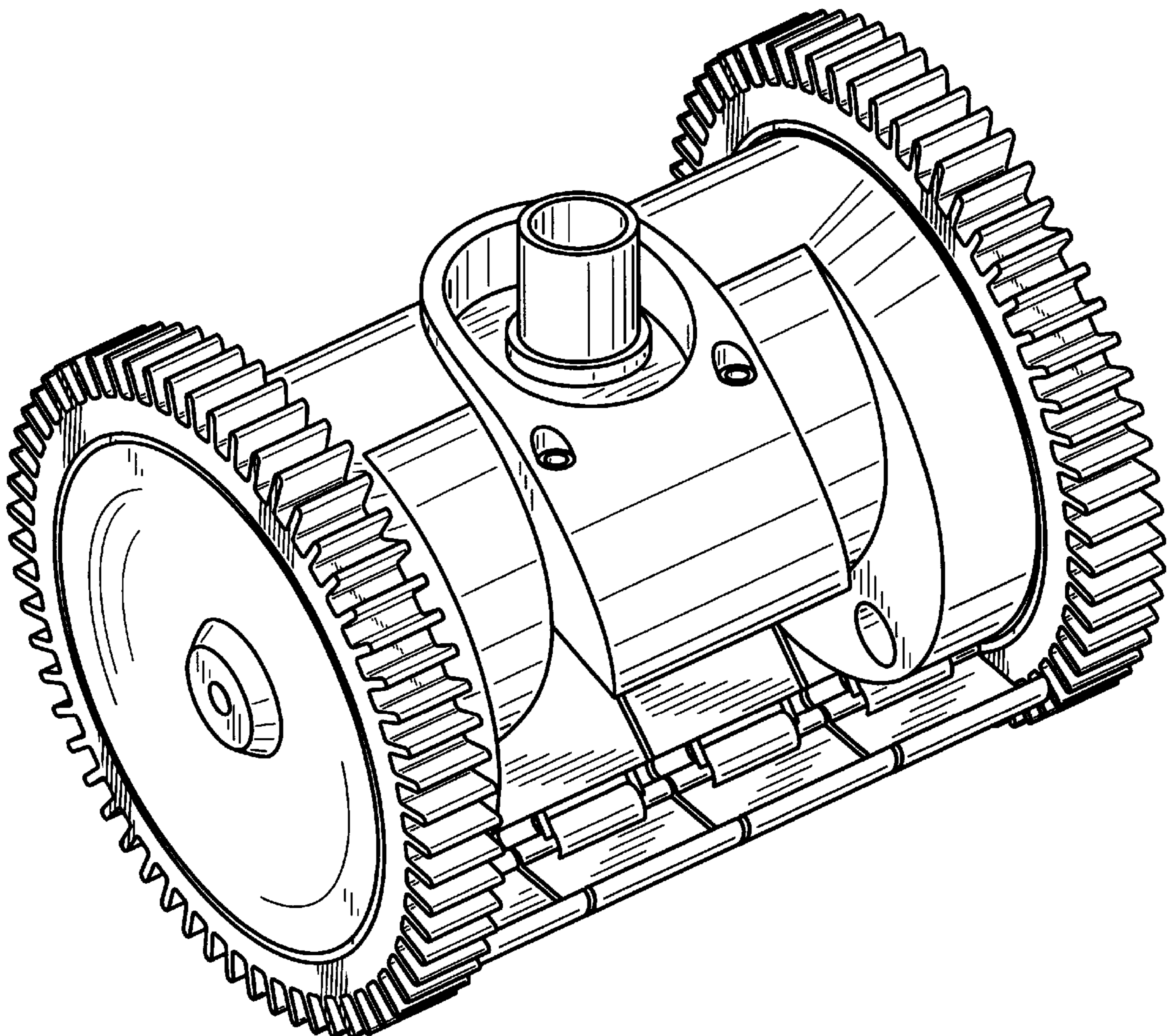
(56) **References Cited**

FIG. 1 is a perspective view of the two wheel pool cleaner showing our new design;
FIG. 2 is a rear elevational view thereof;
FIG. 3 is a right side elevational view thereof, the left side being a mirror image thereof;
FIG. 4 is a front elevational view thereof;
FIG. 5 is a top plan view thereof; and,
FIG. 6 is a bottom plan view thereof.

U.S. PATENT DOCUMENTS

- D. 417,047 * 11/1999 Tsuda D32/21
- D. 418,640 * 1/2000 Veloskey et al. D32/1
- D. 429,393 * 8/2000 Rief et al. D32/25
- 4,299,051 * 11/1981 Pauly et al. 446/471

1 Claim, 4 Drawing Sheets



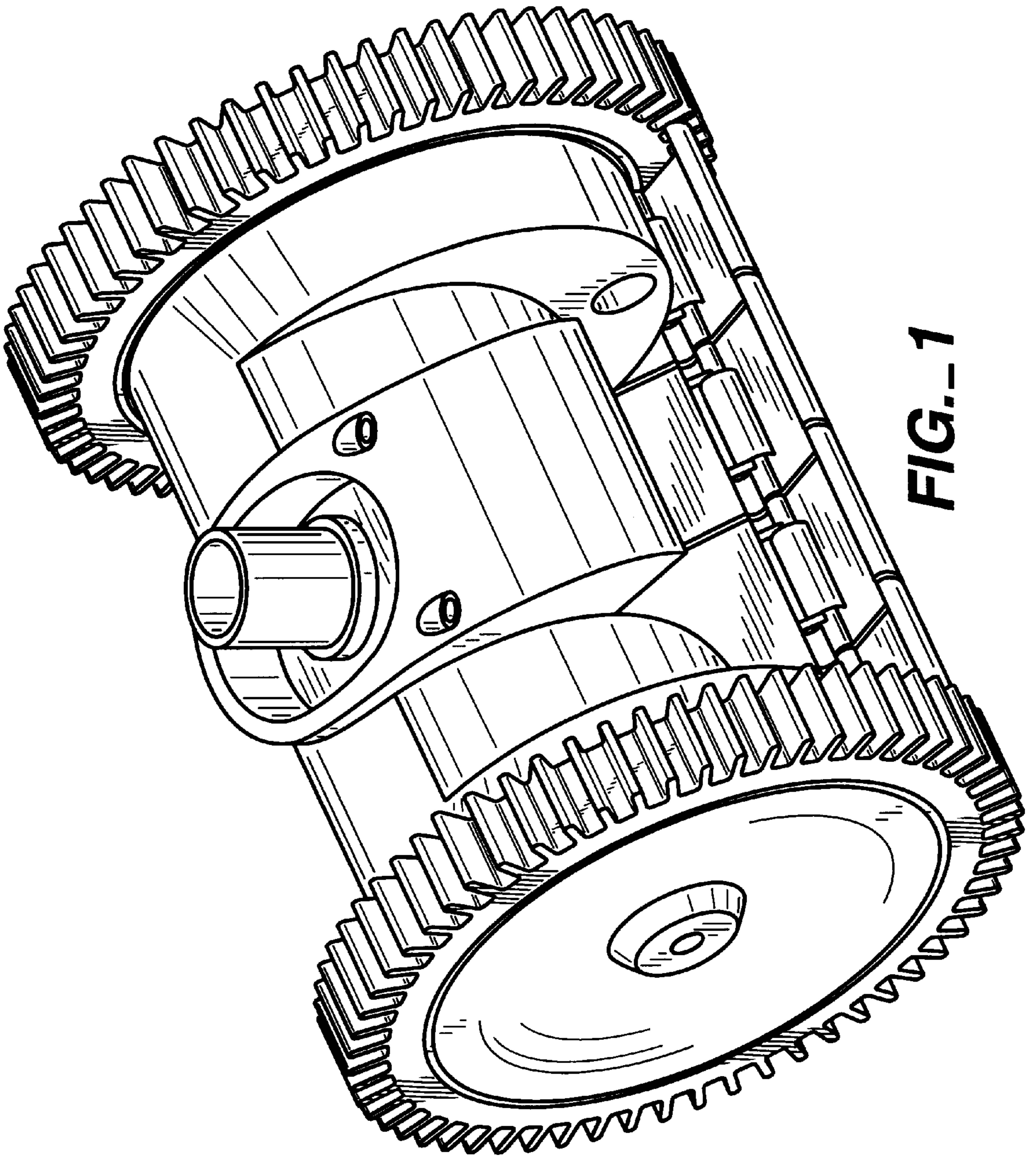


FIG. 1

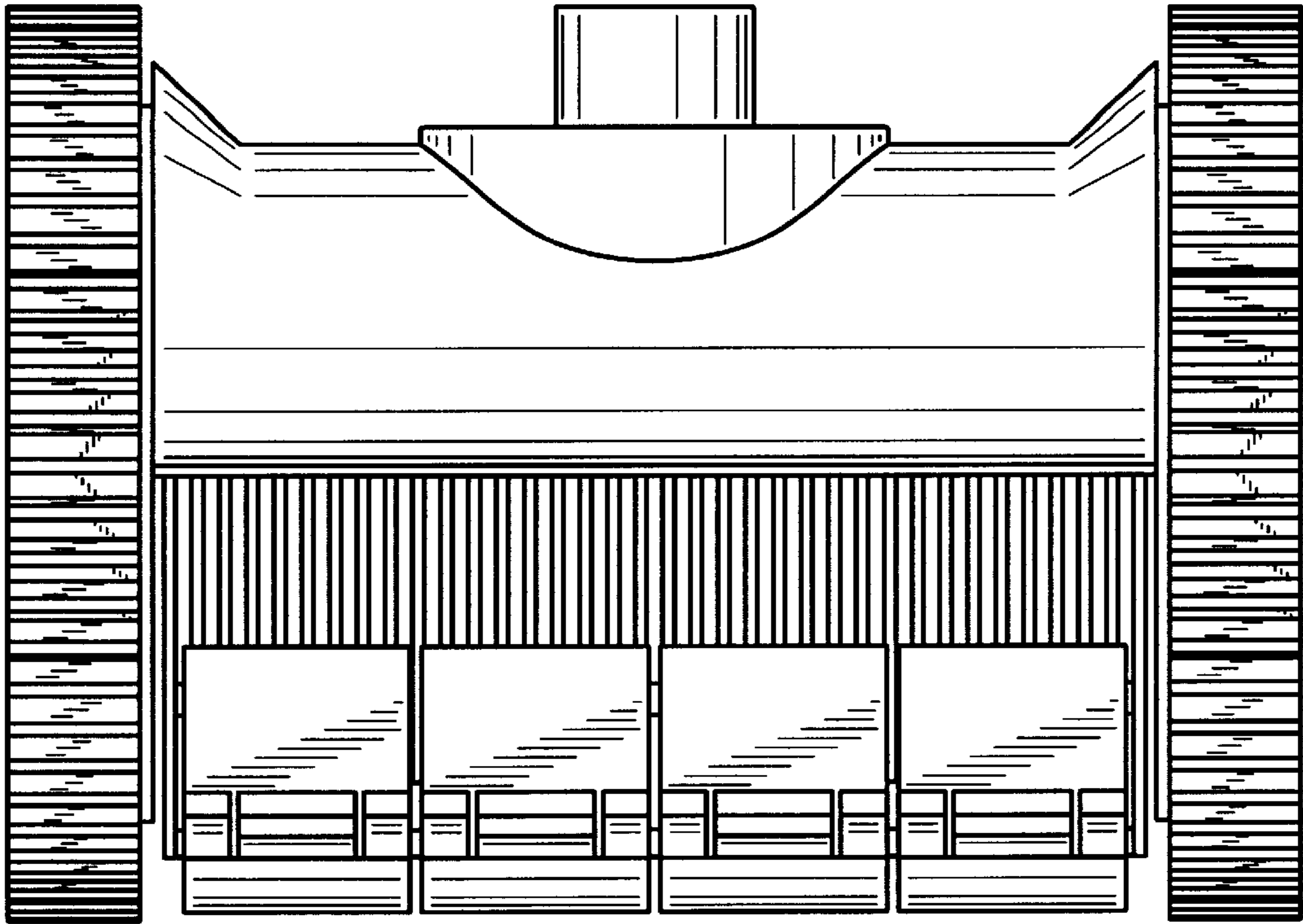


FIG. 2

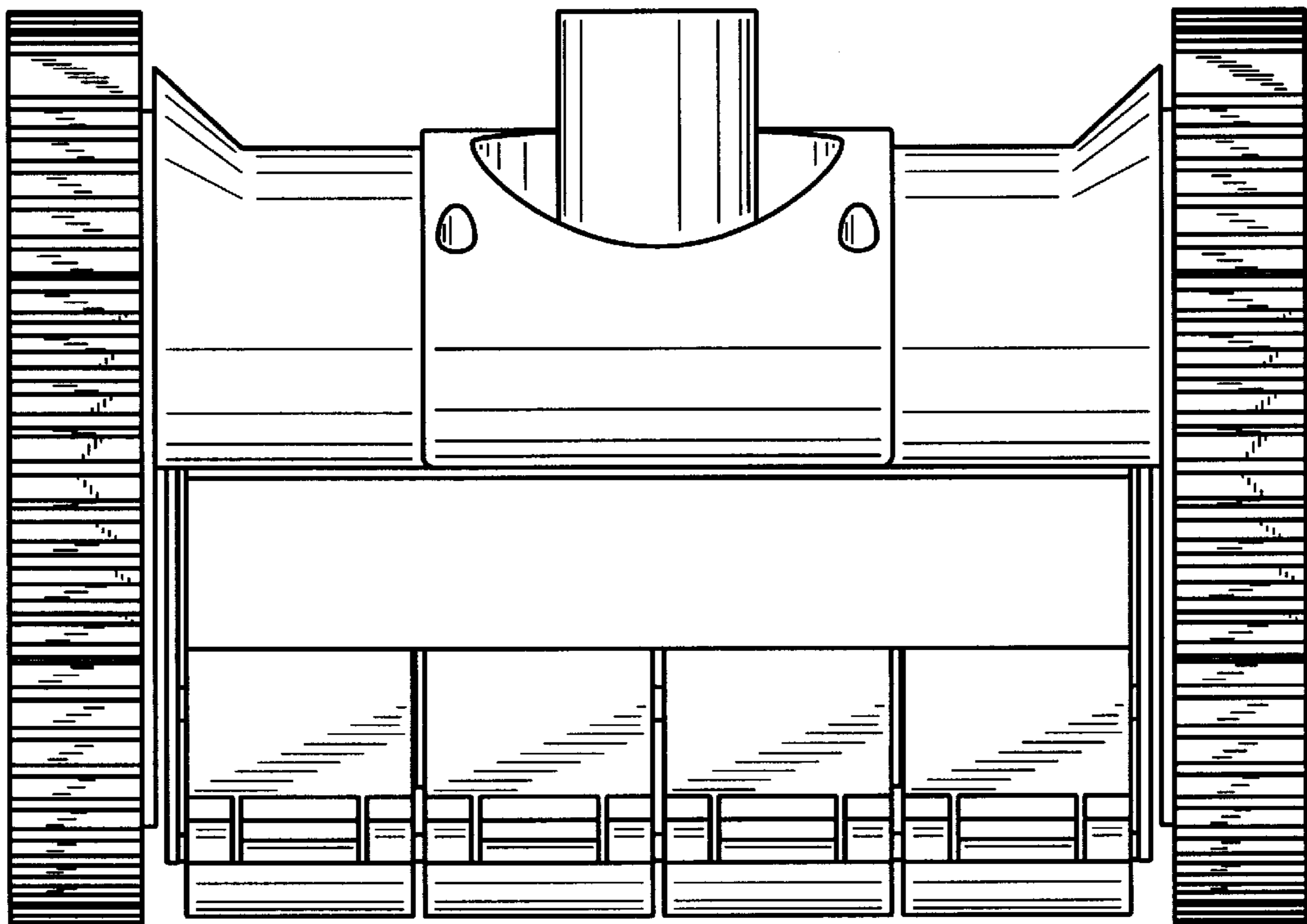


FIG. 4

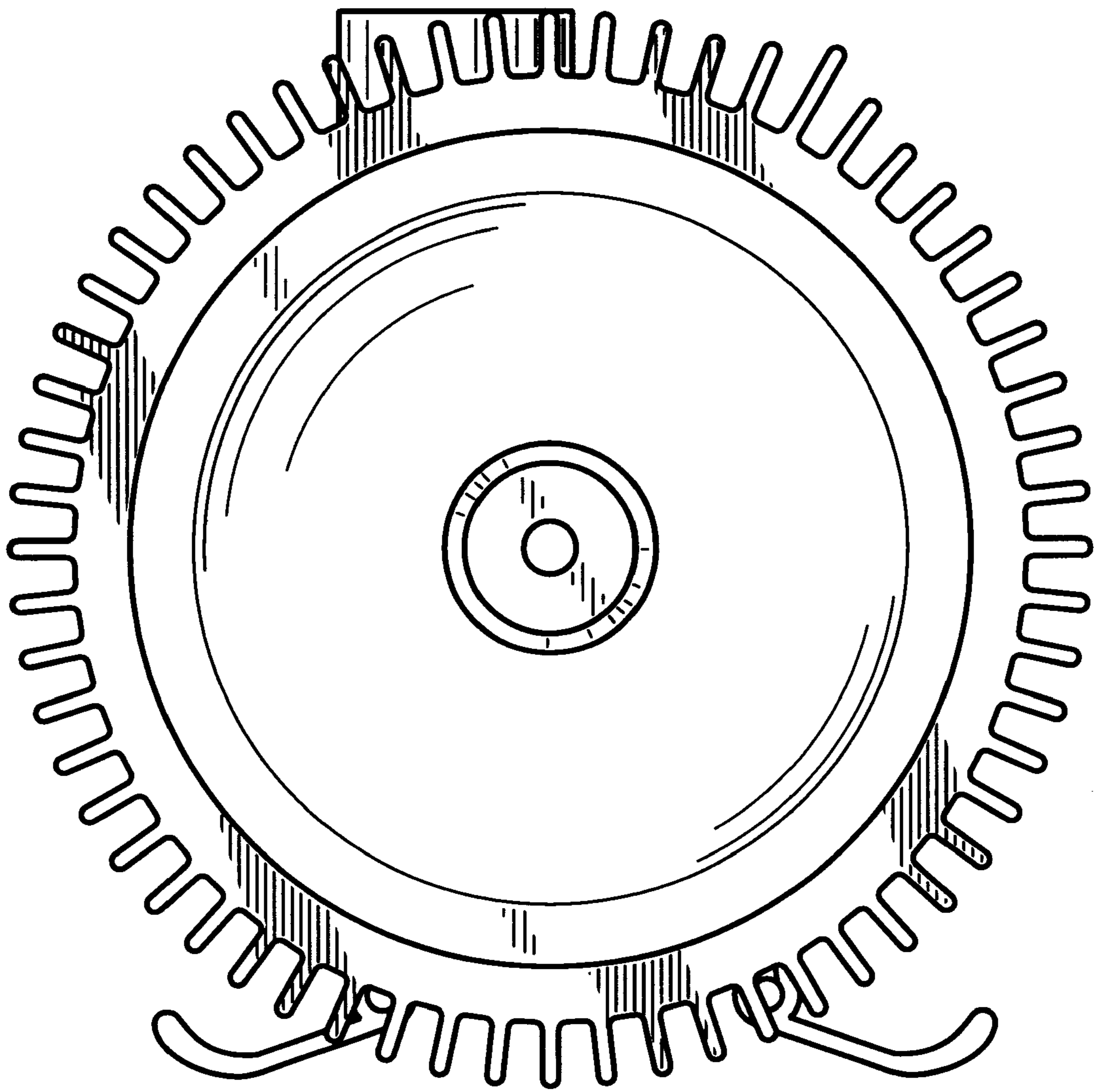


FIG. 3

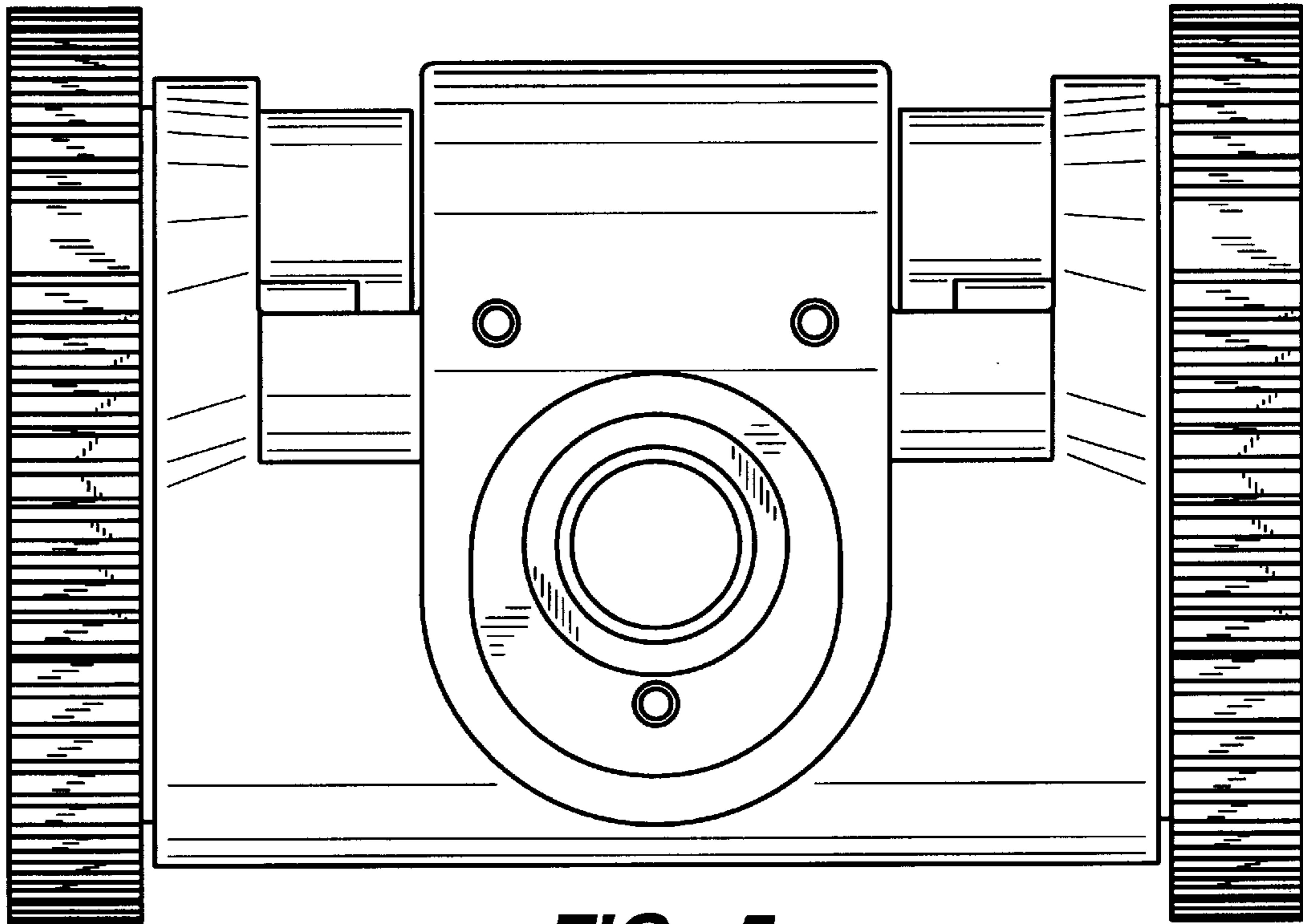


FIG. 5

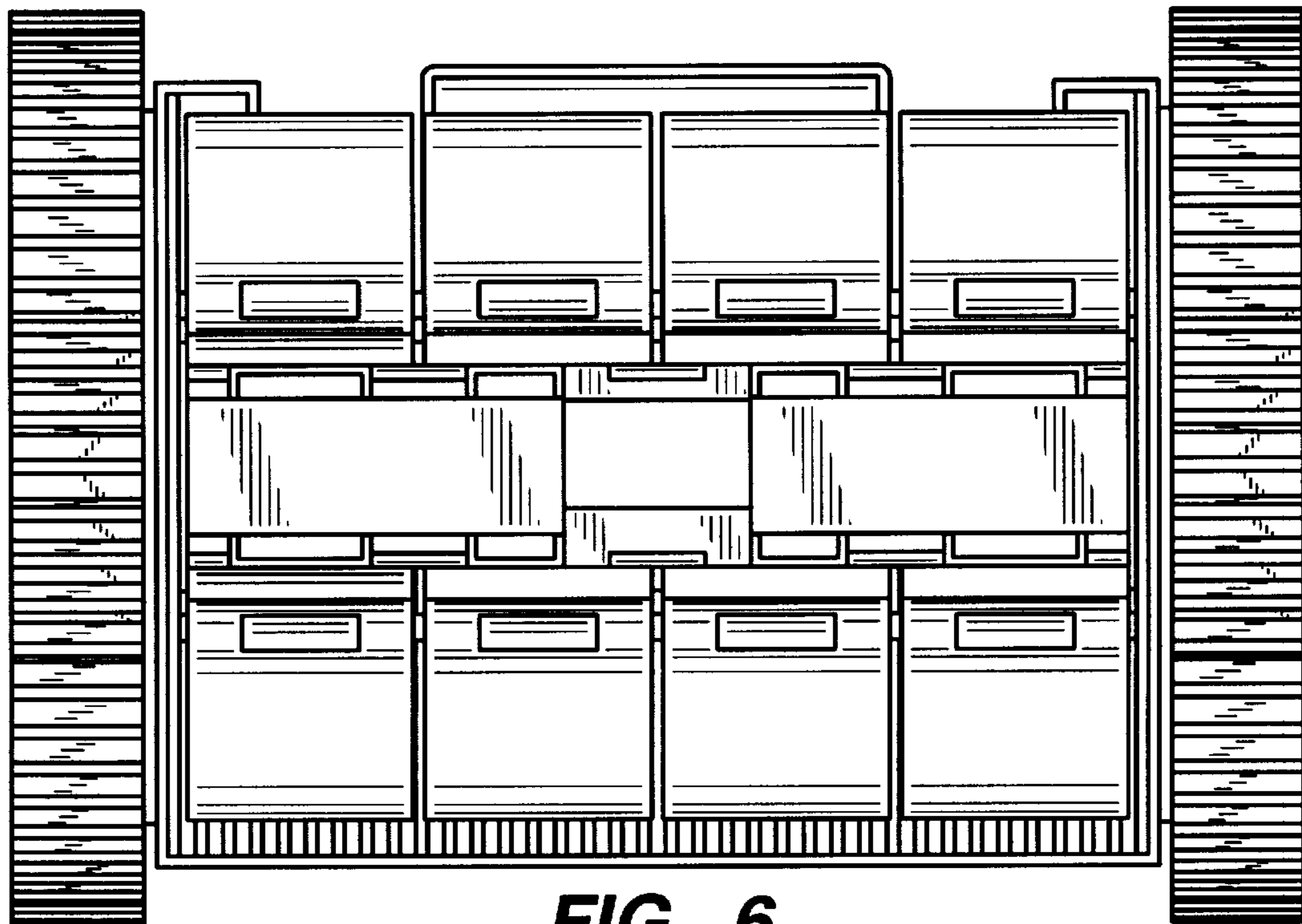


FIG. 6