



US00D444279S

(12) **United States Design Patent**  
**Kristiansen et al.**

(10) **Patent No.:** **US D444,279 S**

(45) **Date of Patent:** **\*\* Jun. 26, 2001**

(54) **PRESSURE WASHER CART**

(75) Inventors: **Keith Kristiansen**, Stratford, CT (US);  
**John Kiely**, Morris Plains, NJ (US);  
**Gary Grossman**, Riverside, CT (US);  
**Ian Haldimann**, Naperville, IL (US)

(73) Assignee: **Coleman Powermate, Inc.**, Kearney, NE (US)

(\*\*) Term: **14 Years**

(21) Appl. No.: **29/126,276**

(22) Filed: **Jul. 12, 2000**

(51) **LOC (7) Cl.** ..... **12-02**

(52) **U.S. Cl.** ..... **D34/12; D34/24**

(58) **Field of Search** ..... D34/12-27; 280/47.24,  
280/47.17, 47.19, 47.26, 47.34, 47.35, 49.3,  
79.6, 472

(56) **References Cited**

**U.S. PATENT DOCUMENTS**

- D. 173,596 \* 11/1954 Tunstead ..... D34/24
- D. 201,749 \* 7/1965 Rolland ..... D34/24

- D. 278,425 4/1985 Toshihiko .
- D. 371,663 \* 7/1996 Muller-Deisig et al. .... D34/25
- 5,340,136 \* 8/1994 MacNeil et al. .... 280/472

\* cited by examiner

*Primary Examiner*—Kay H. Chin

(74) *Attorney, Agent, or Firm*—Kramer Levin Naftalis & Frankel LLP.

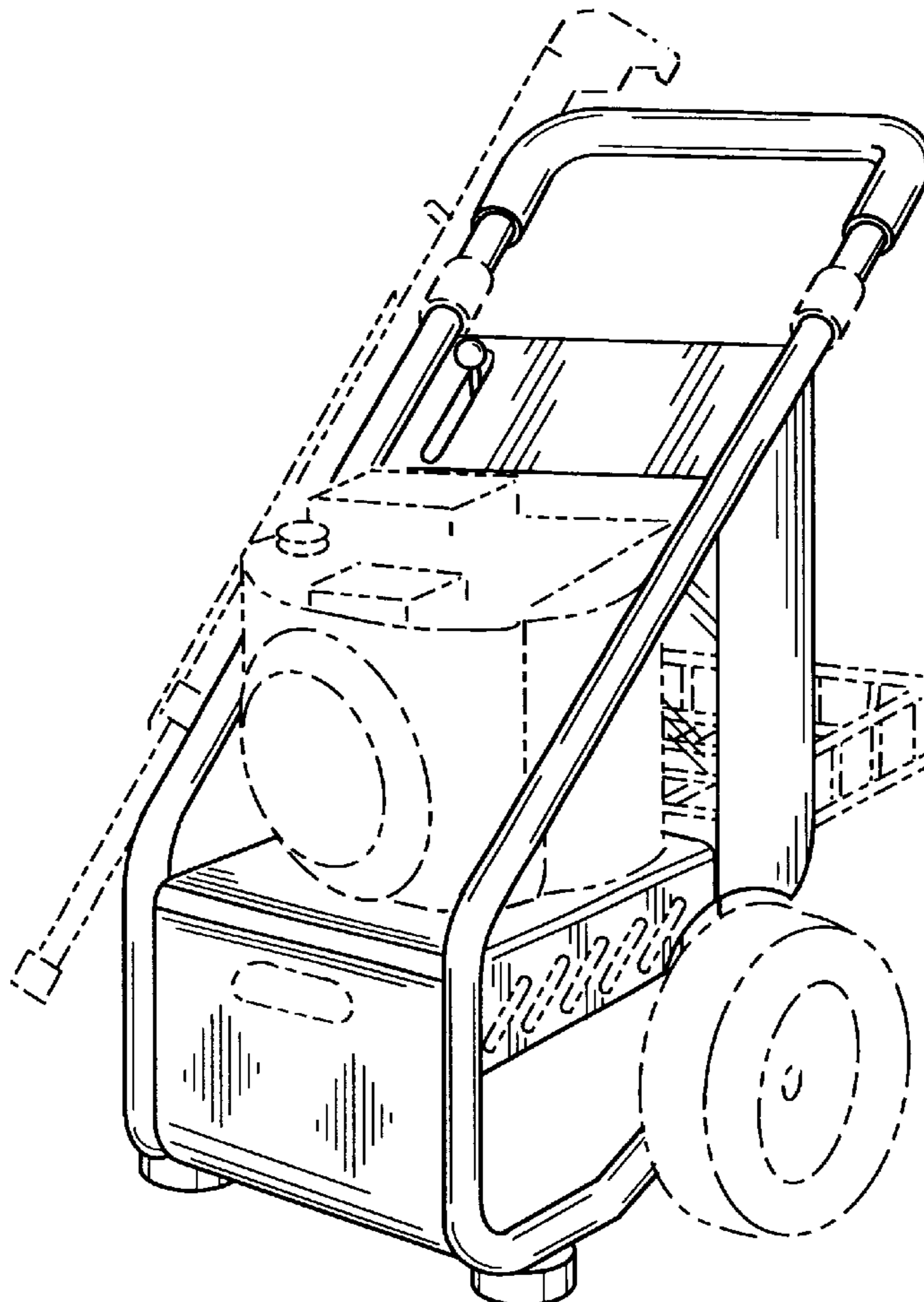
(57) **CLAIM**

The ornamental design for a pressure washer cart, as shown and described.

**DESCRIPTION**

FIG. 1 is a front perspective of a pressure washer cart showing our new design, the broken lines are for illustrative purposes only and form no part of the claimed design; FIG. 2 is a side elevation view thereof; FIG. 3 is a side elevation view thereof, showing the opposite side of FIG. 2; FIG. 4 is a front elevation view thereof. FIG. 5 is a rear elevation view thereof; and FIG. 6 is a top plan view thereof; and, FIG. 7 is a bottom plan view thereof.

**1 Claim, 4 Drawing Sheets**



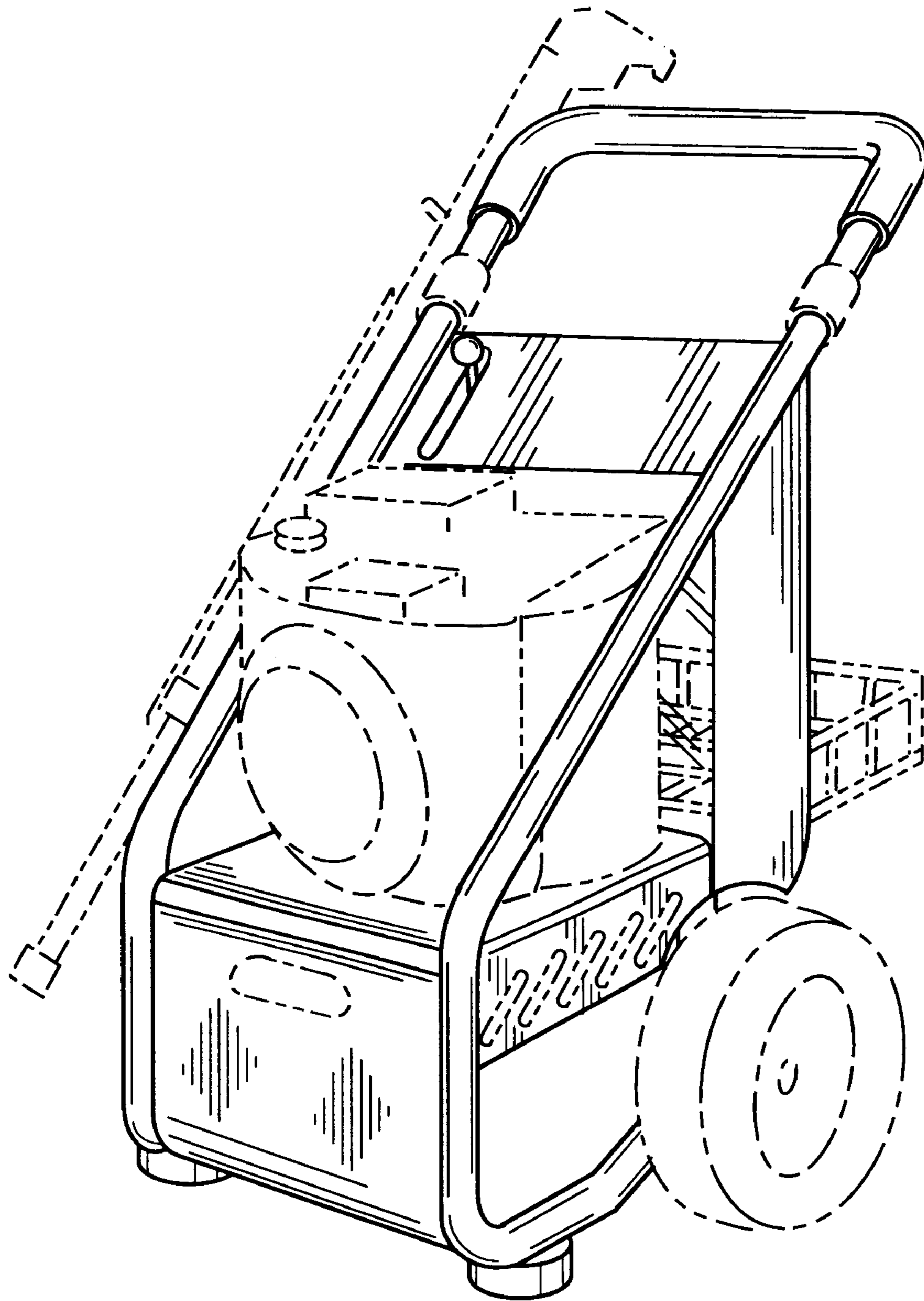


FIG. 1

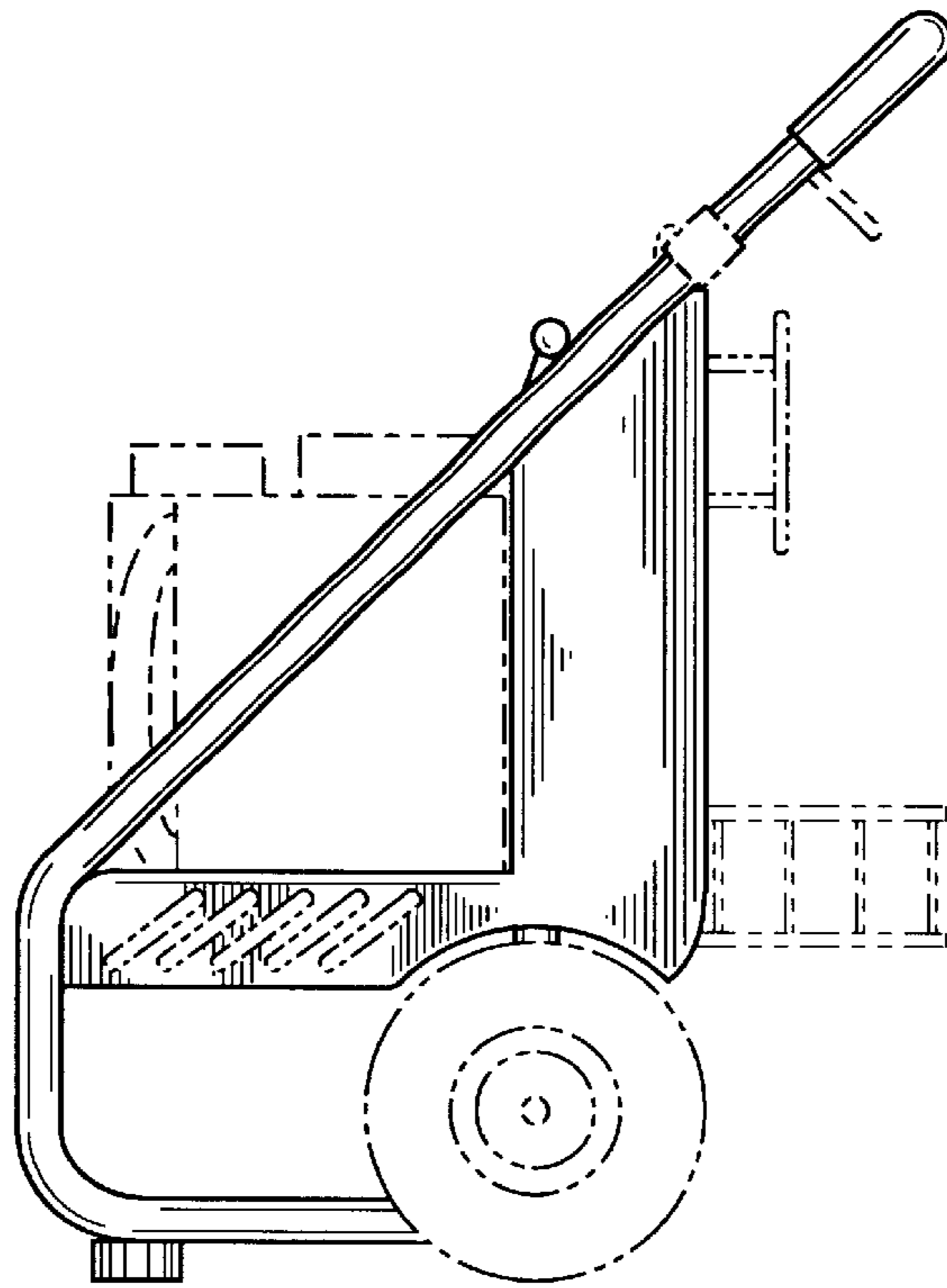


FIG. 2

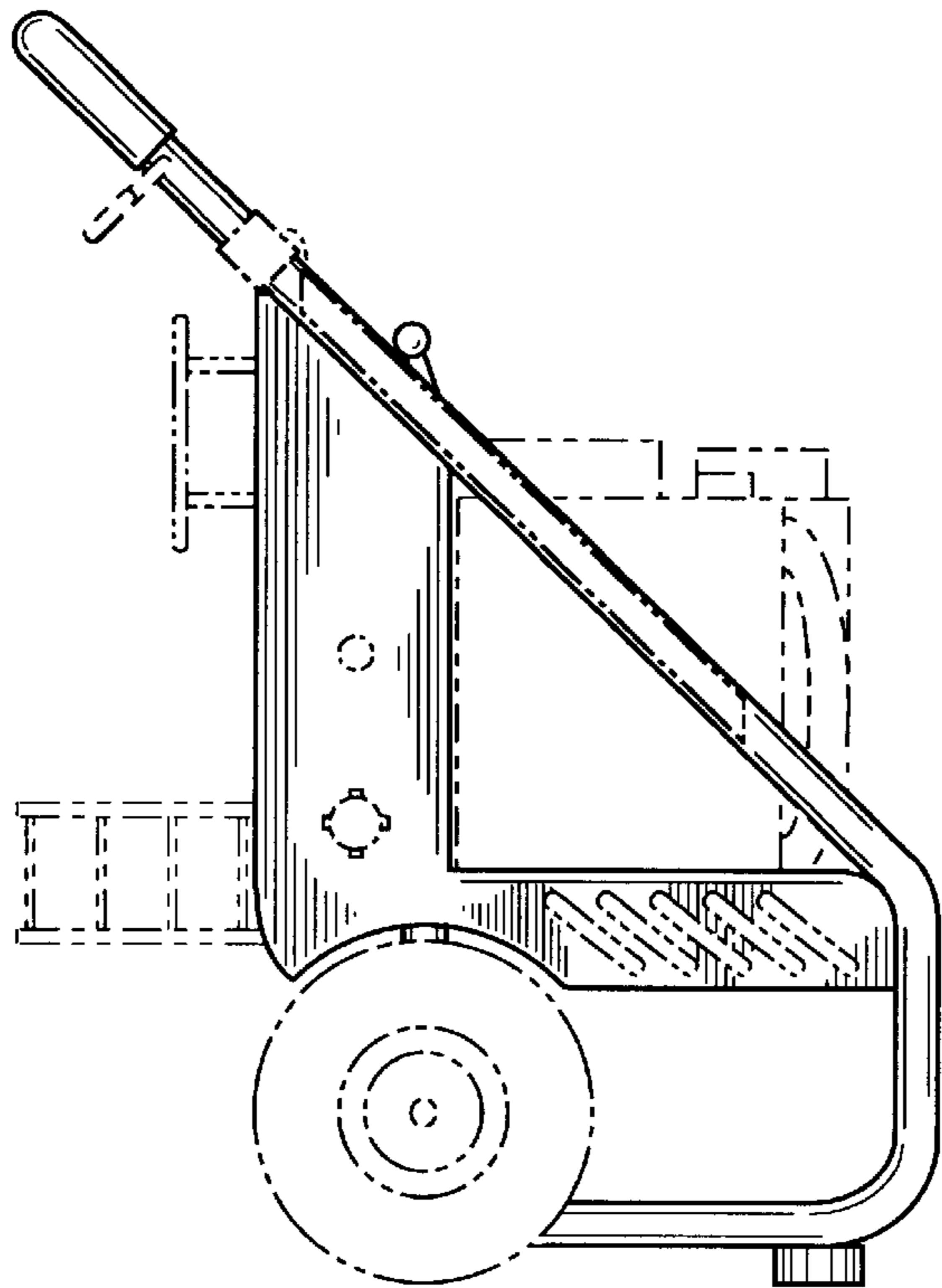


FIG. 3

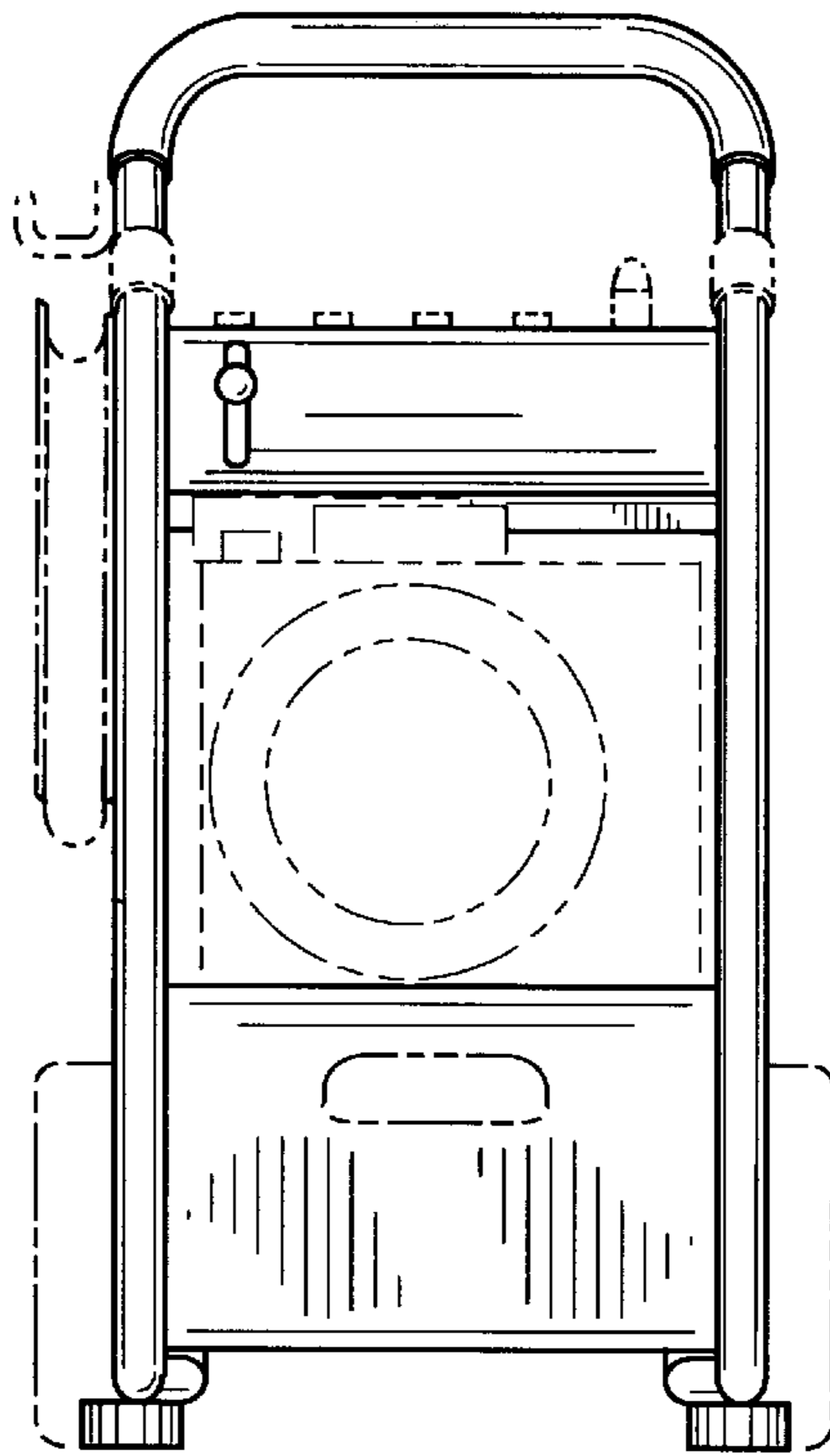


FIG. 4

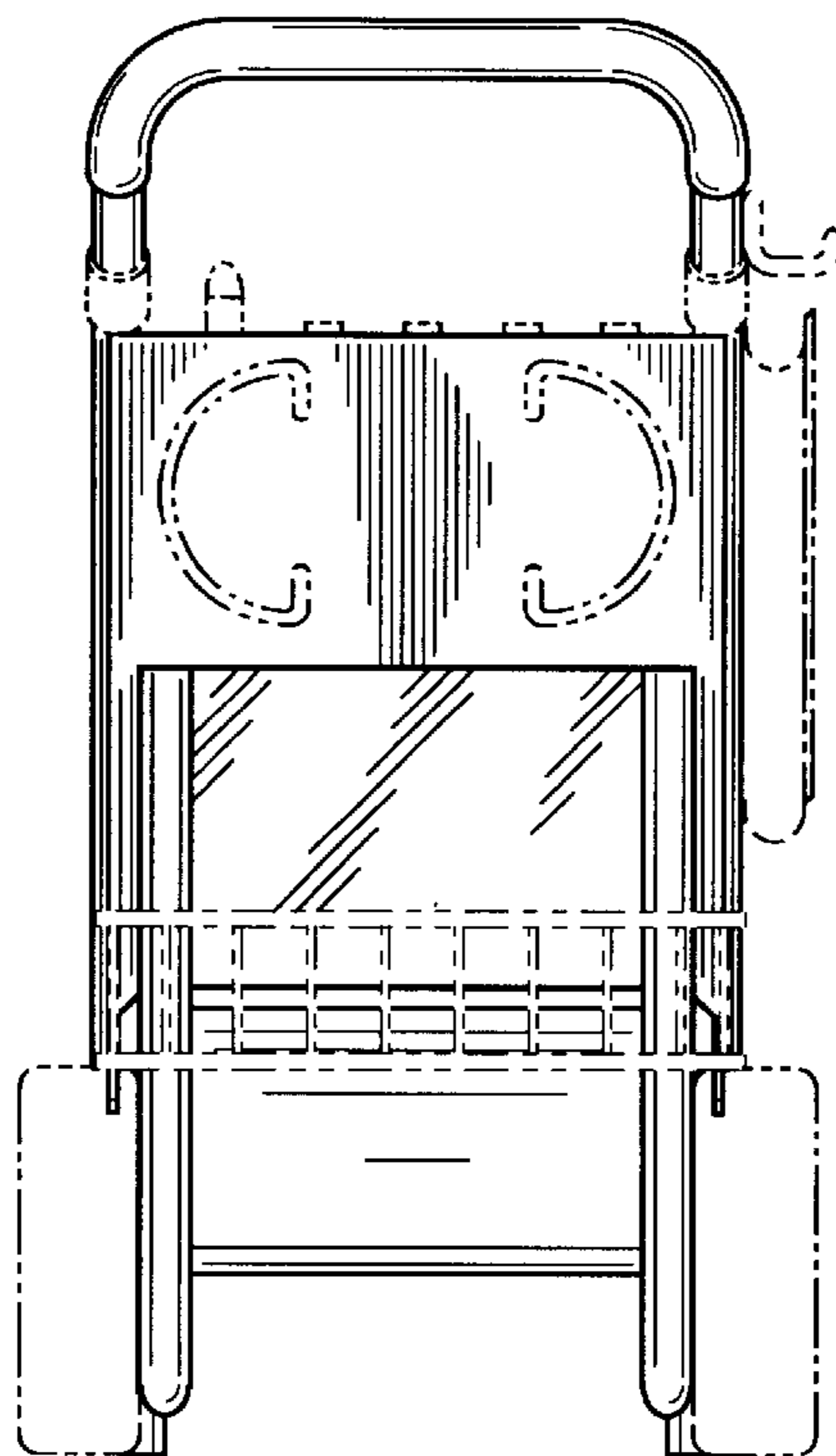


FIG. 5

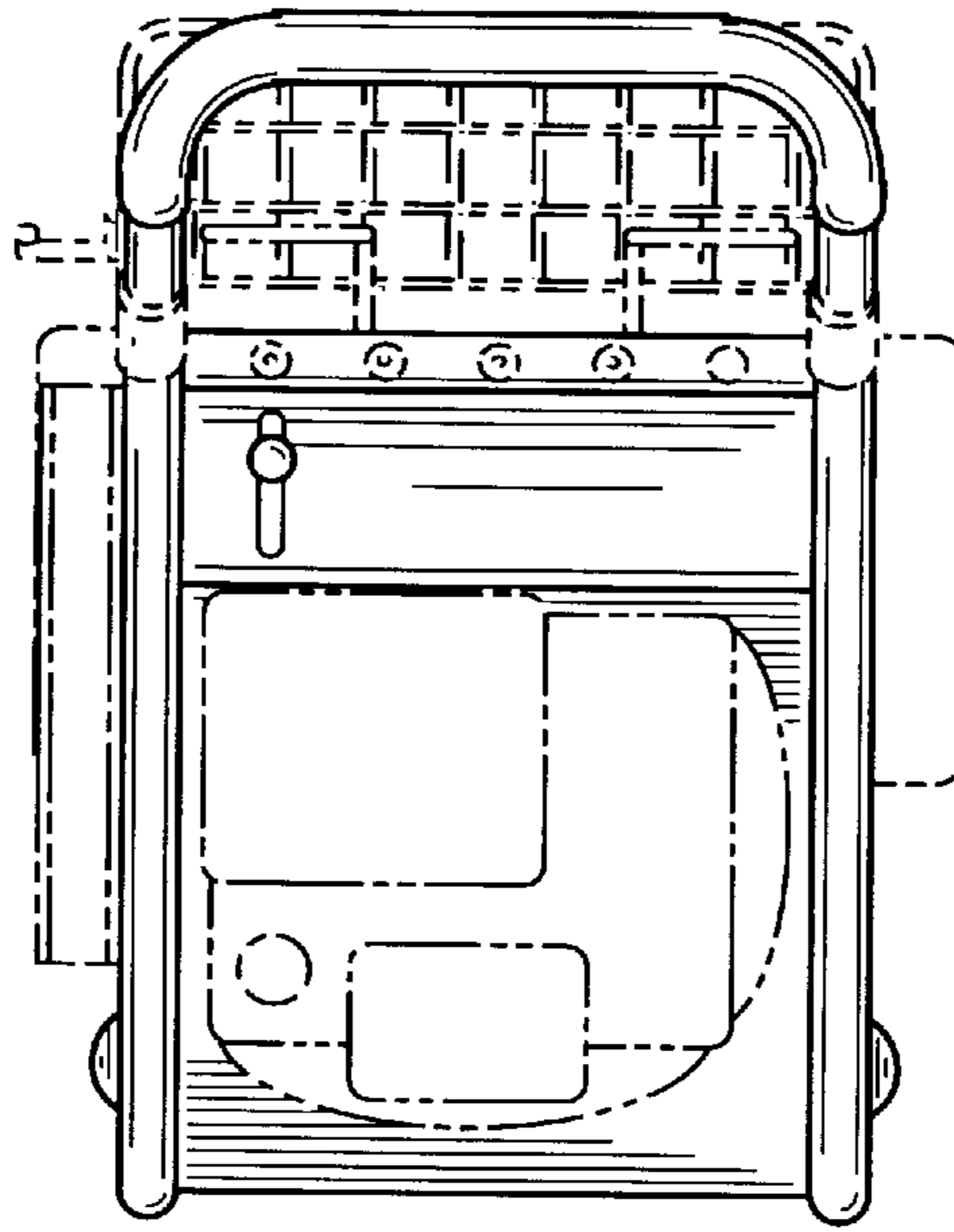


FIG. 6

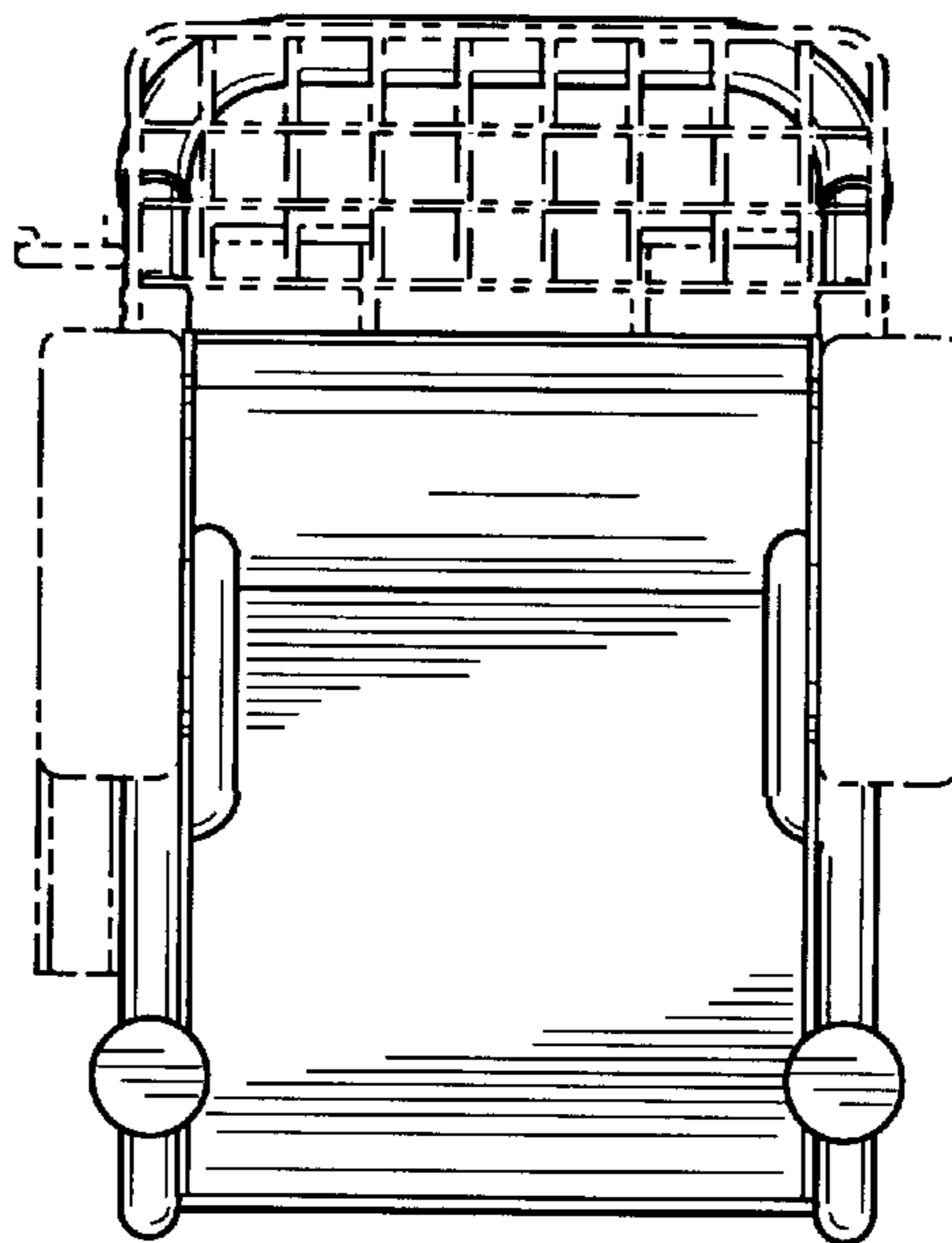


FIG. 7