



US00D444278S

(12) **United States Design Patent**  
**Myers, Jr.**

(10) **Patent No.:** **US D444,278 S**

(45) **Date of Patent:** **\*\* Jun. 26, 2001**

(54) **PAINT BUCKET DIVIDER**

5,727,708 3/1998 Erickson ..... 220/410  
5,746,346 5/1998 Crilly ..... 220/736

(76) Inventor: **Michael J. Myers, Jr.**, 2891 Pua Nani St., Lihue, HI (US) 96766-1663

\* cited by examiner

(\*\*) Term: **14 Years**

*Primary Examiner*—Robin V. Taylor

(74) *Attorney, Agent, or Firm*—Goldstein Law Offices P.C

(21) Appl. No.: **29/129,514**

(57) **CLAIM**

(22) Filed: **Sep. 15, 2000**

The ornamental design for a paint bucket divider, as shown and described.

(51) **LOC (7) Cl.** ..... **07-07**

(52) **U.S. Cl.** ..... **D32/54**

(58) **Field of Search** ..... D32/53, 53.1,  
D32/54; 220/694-697, 700-702

**DESCRIPTION**

(56) **References Cited**

**U.S. PATENT DOCUMENTS**

D. 327,148	*	6/1992	Alessi	.....	D32/54
D. 346,054	*	4/1994	Spangler	.....	D32/54
D. 405,574	*	2/1999	Riky	.....	D32/54
2,436,924		3/1948	Hansen	.....	211/65
4,865,282		9/1989	Yonkman et al.	.....	248/111
5,207,348		5/1993	Fischer et al.	.....	220/697
5,322,183		6/1994	Strachan	.....	220/697

FIG. 1 is a perspective view of a paint bucket divider.  
FIG. 2 is an alternate perspective view of the paint bucket divider.  
FIG. 3 is a top plan view of the paint bucket divider.  
FIG. 4 is a bottom plan view thereof.  
FIG. 5 is a left side elevational view thereof, the right side elevational view being a mirror image of the left side view.  
FIG. 6 is a rear elevational view thereof; and,  
FIG. 7 is a front elevational view thereof.

**1 Claim, 3 Drawing Sheets**

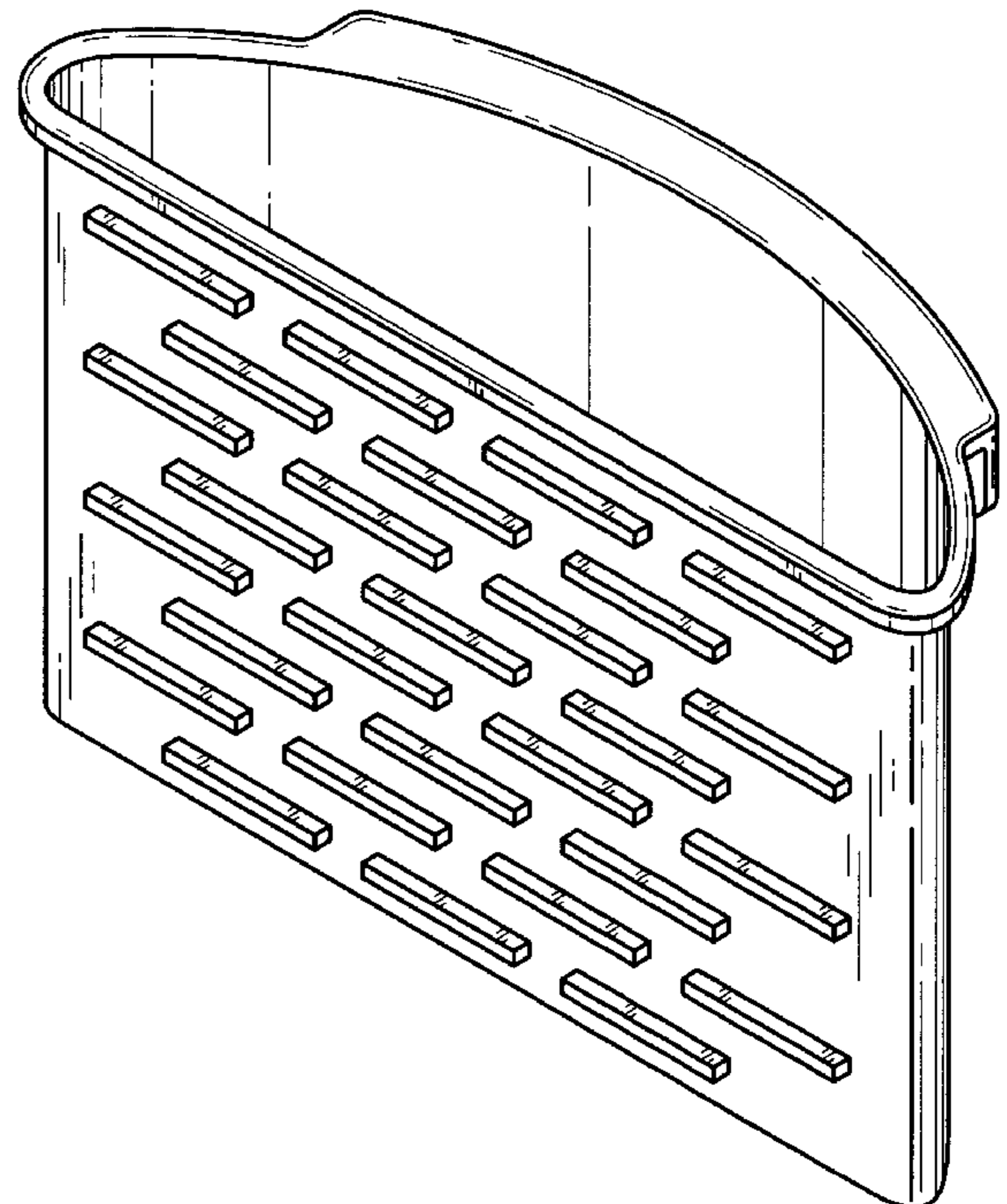
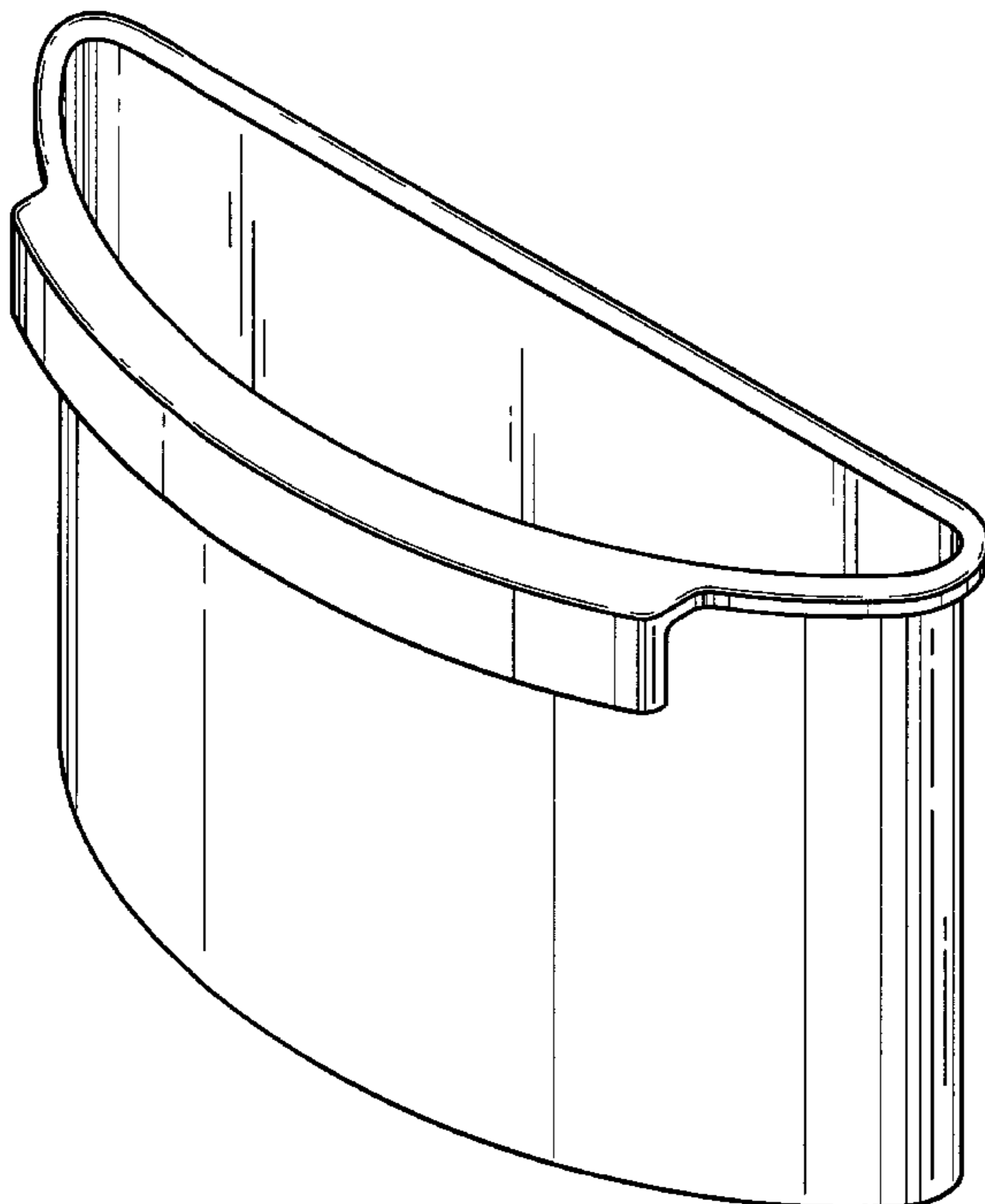


Fig. 1

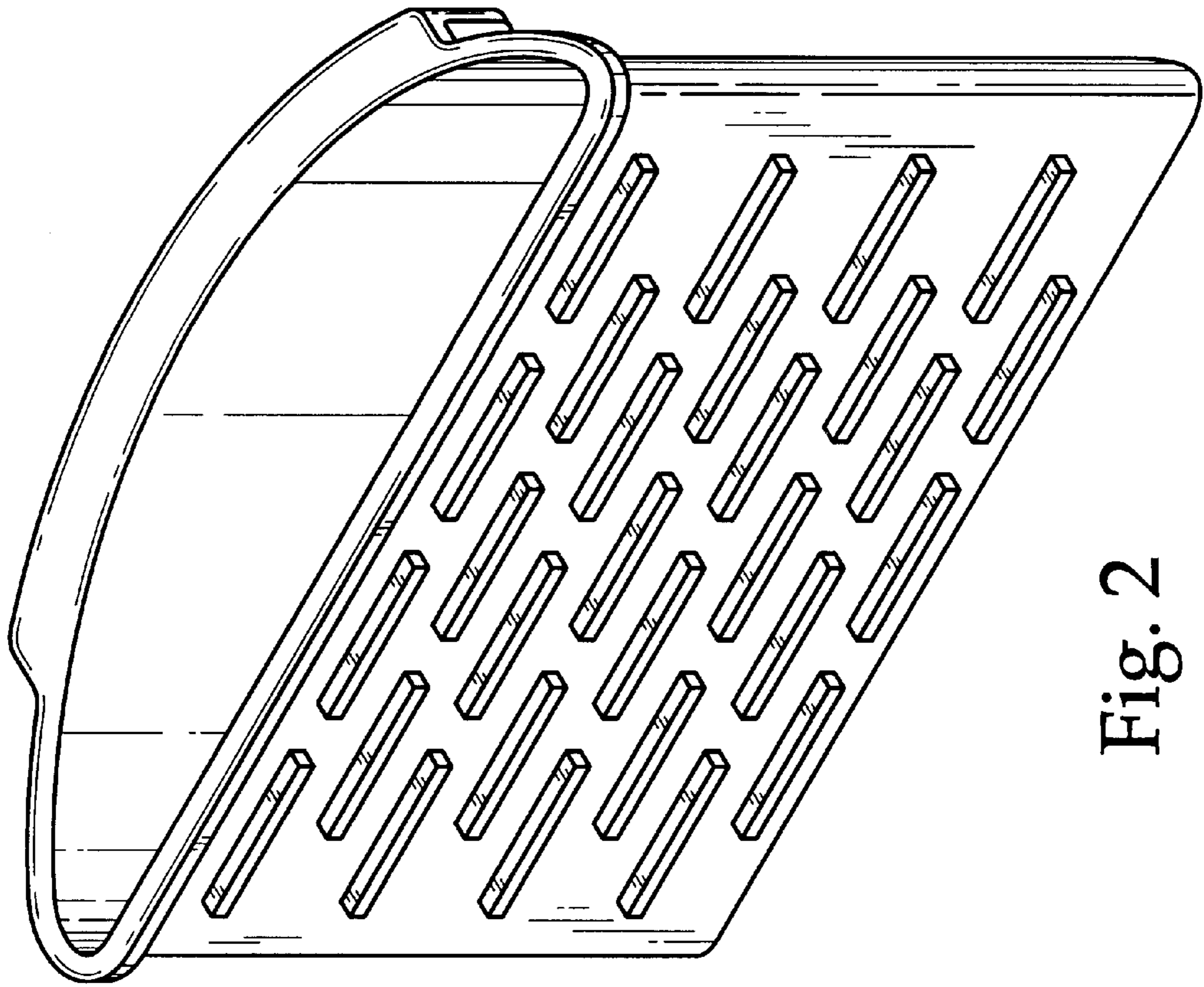
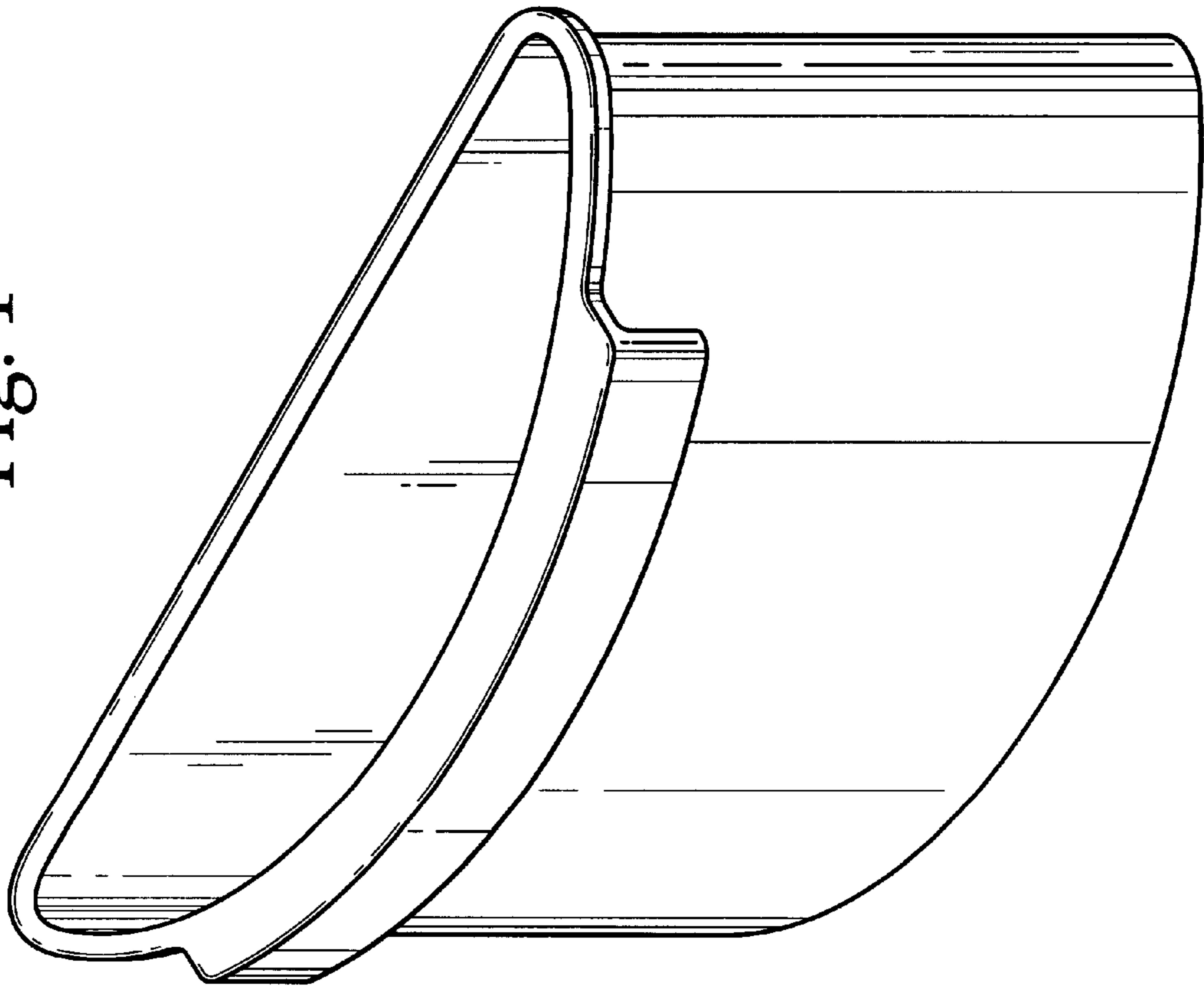


Fig. 2

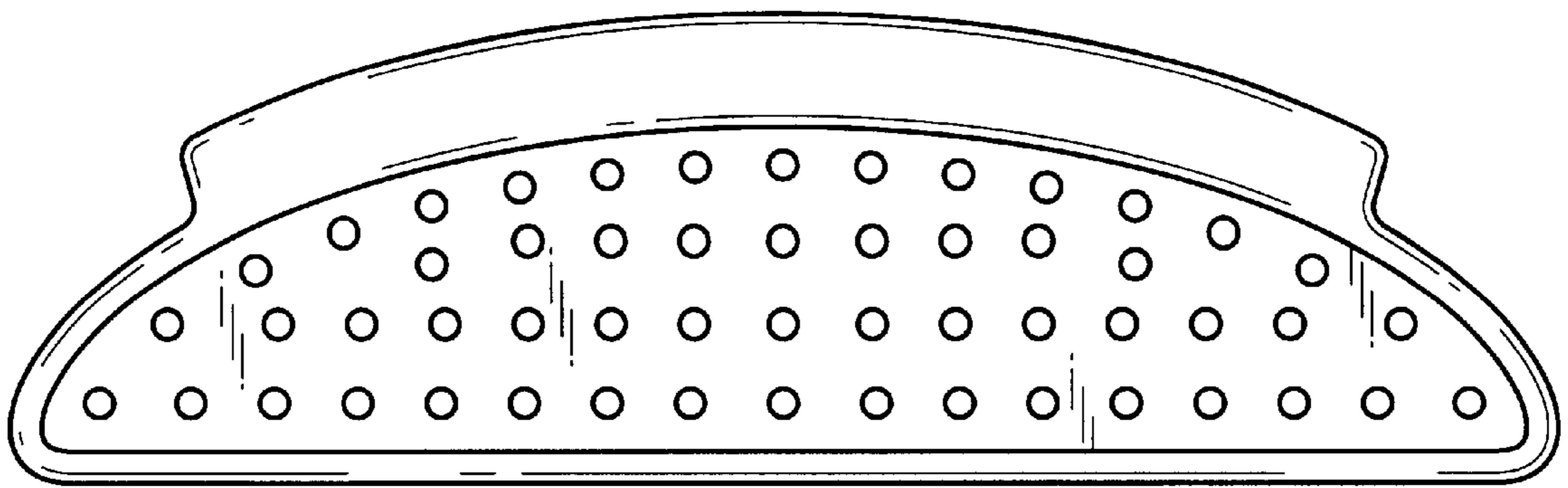


Fig. 3

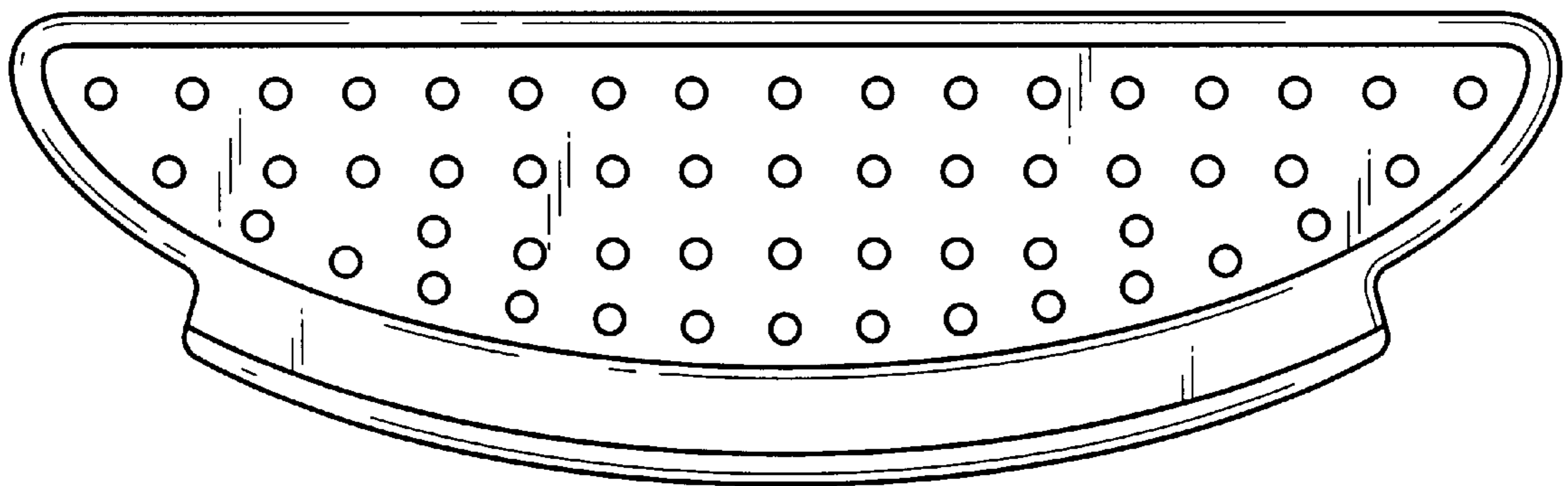


Fig. 4

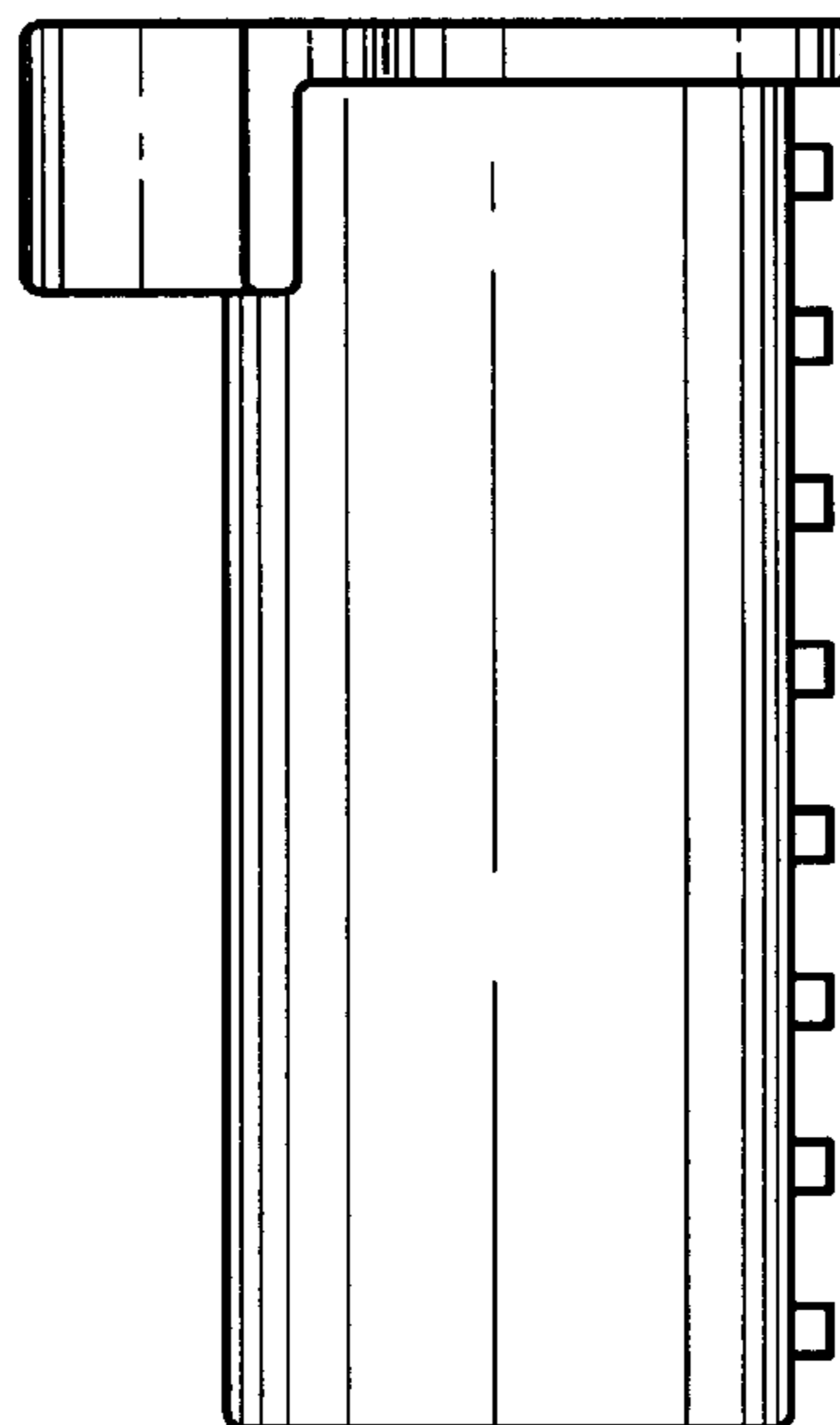


Fig. 5

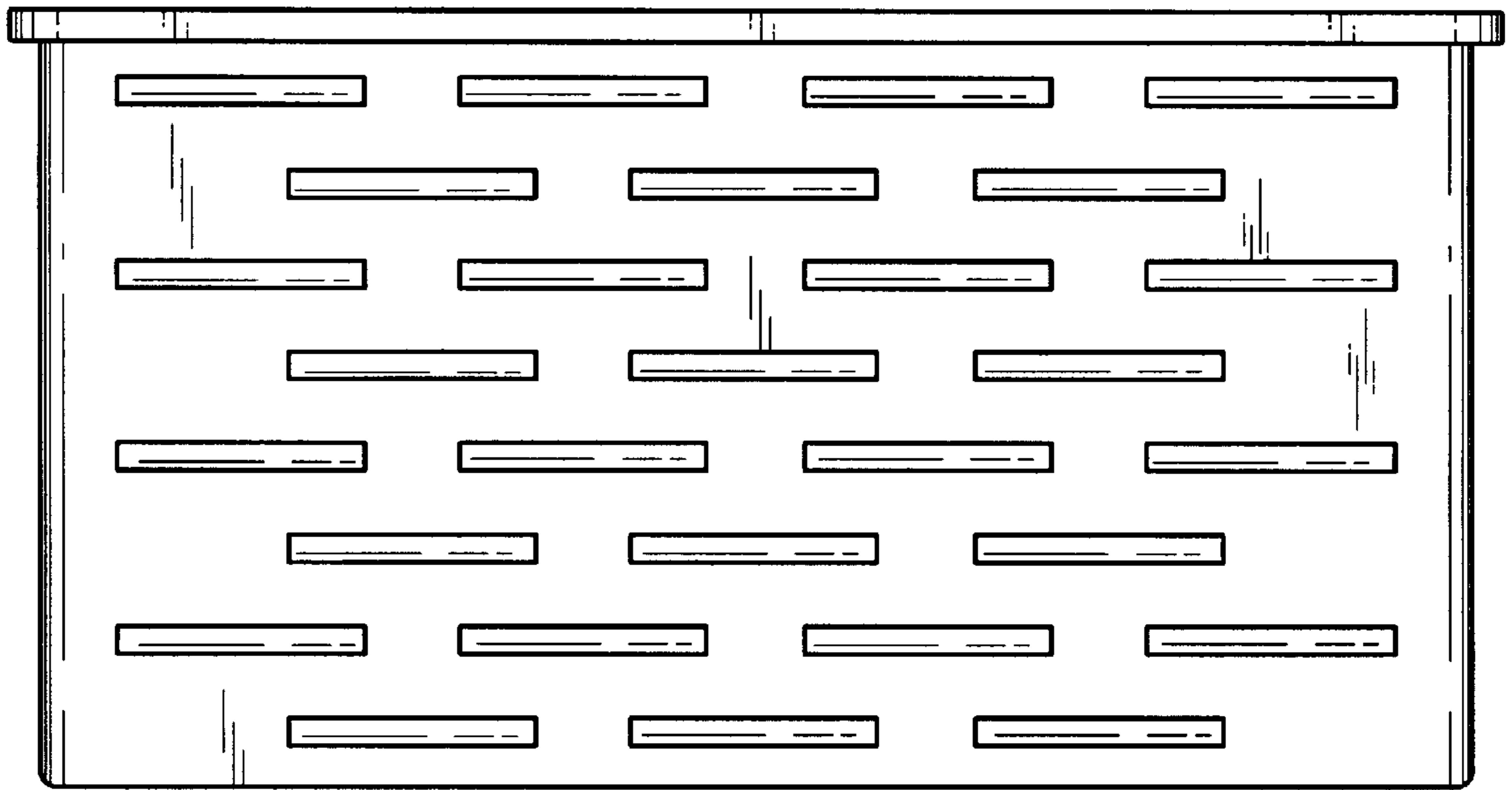


Fig. 6

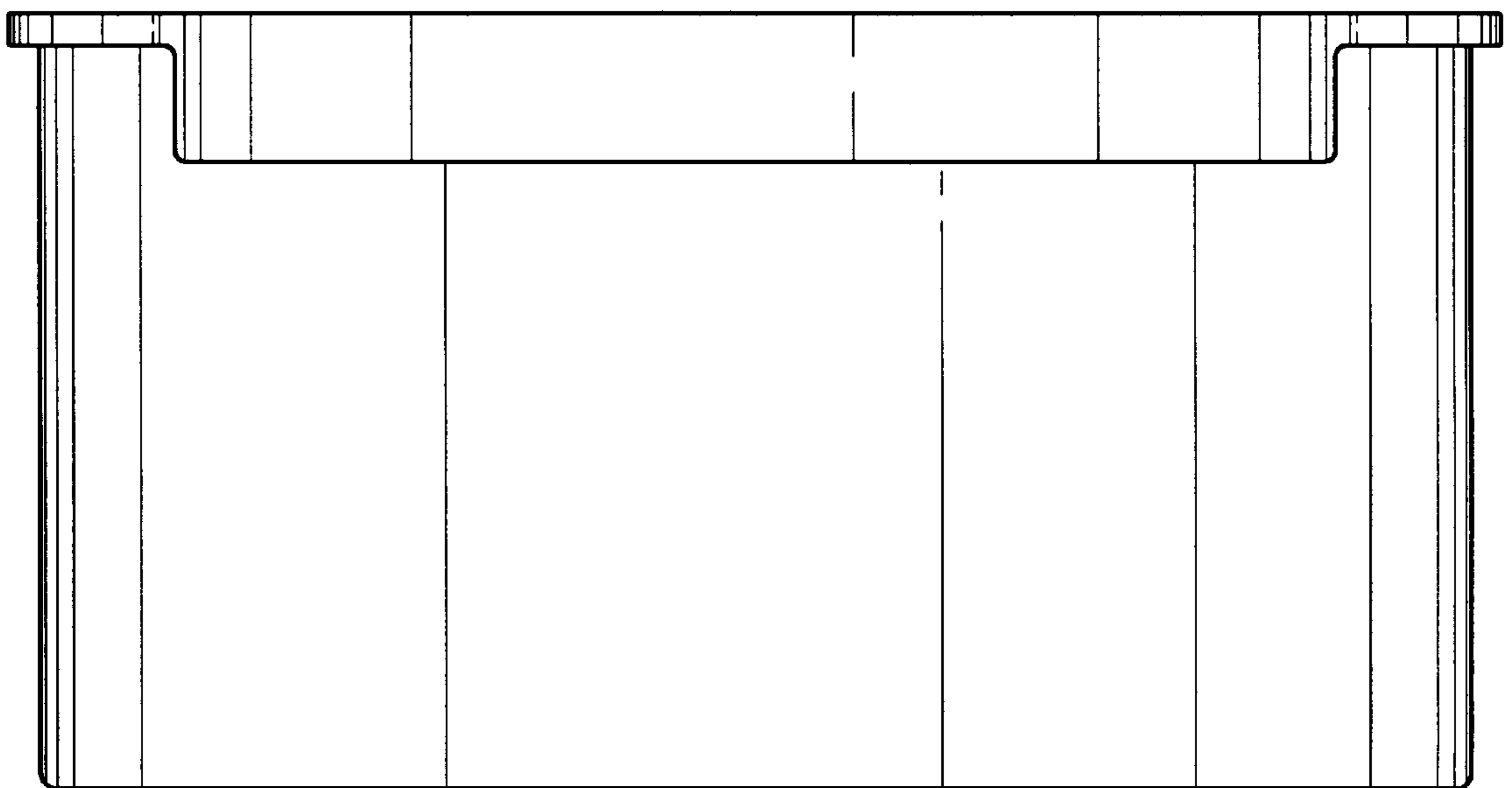


Fig. 7