



US00D444276S

(12) **United States Design Patent**
Griffin

(10) **Patent No.:** **US D444,276 S**

(45) **Date of Patent:** **** Jun. 26, 2001**

(54) **MOTOR COVER FOR VACUUM CLEANER**

(75) Inventor: **John Griffin**, Phoenix, AZ (US)

(73) Assignee: **Shop Vac Corporation**, Williamsport, PA (US)

(**) Term: **14 Years**

(21) Appl. No.: **29/115,795**

(22) Filed: **Dec. 20, 1999**

(51) **LOC (7) Cl.** **15-05**

(52) **U.S. Cl.** **D32/31**

(58) **Field of Search** D32/21, 23, 25,
D32/31; D34/23, 27; 15/320-321, 327.1,
327.2, 327.3, 327.4, 327.6, 327.7, 339,
323, 325, 410, 352

(56) **References Cited**

U.S. PATENT DOCUMENTS

D. 287,171	12/1986	Berfield et al.	32/25
D. 315,624	3/1991	Kimura et al.	32/23
D. 357,336	4/1995	Moine et al.	32/23
D. 357,773	4/1995	Wareham et al.	32/23
D. 358,010	5/1995	Berfield et al.	32/23
D. 361,179	8/1995	Moine et al.	32/23
D. 362,091	9/1995	Tomasiak et al.	32/23
D. 372,567	8/1996	Moine et al.	32/23
D. 373,862	9/1996	Stephens et al.	32/23
D. 383,575	9/1997	Griffin	32/23
D. 384,448	9/1997	Stephens et al.	32/23
D. 388,565	12/1997	Pietrobon	32/23
D. 389,962	1/1998	Berfield et al.	32/23
D. 395,119	6/1998	Berfield	34/23
D. 426,359 *	6/2000	Griffin et al.	D32/31
D. 429,855 *	8/2000	Griffin	D32/23
D. 429,857 *	8/2000	Griffin	D32/23
D. 430,367 *	8/2000	Griffin	D32/23
D. 430,713 *	9/2000	Griffin	D32/23
2,920,337	1/1960	Smith	15/323
4,797,072	1/1989	Berfield et al.	417/423.3
4,836,753	6/1989	Berfield et al.	417/236
4,880,364	11/1989	Berfield et al.	417/423.1
5,144,716	9/1992	Watanabe et al.	15/323
5,606,769	3/1997	Tomasiak et al.	15/327.6

OTHER PUBLICATIONS

SHOP-VAC Brochure, 707 Series Super Performance Wet/Dry Vacs, Model No. 707-10, dated Mar. 1991.

SHOP-VAC Brochure, QSP Series—Quiet Super Power Wet/Dry Vacs, Models 900-86 and 900-87, dated Aug. 1993.

SHOP-VAC Brochure, QSP Series—Quiet Super Power Wet/Dry Vacs, Model No. 900-29, dated Aug. 1993.

SHOP-VAC Brochure, Series 914—Quiet Super Performance Wet/Dry Vacs, Model Nos. 914-15 and 914-27, dated Apr. 1997.

SHOP-VAC Brochure, FLOORMASTER, Wet & Dry Cleaning System, Model No. 909-50, dated Jan. 1989.

SHOP-VAC Brochure, The QSP Line of Wet/Dry Vacs from Shop Vac, dated 1994.

SHOP-VAC Brochure, ALL AROUND Vac, dated 1997.

SHOP-VAC Brochure, QSP PRO, dated 1998.

SHOP-VAC Brochure, QPV, dated 1997.

SHOP-VAC Brochure, 1X1 Wet/Dry Vac, dated 1997.

* cited by examiner

Primary Examiner—Ruth McInroy

(74) *Attorney, Agent, or Firm*—Marshall, O'Toole, Gerstein, Murray & Borun

(57) **CLAIM**

The ornamental design for a “motor cover for vacuum cleaner”, as shown and described.

DESCRIPTION

FIG. 1 is a right side perspective view taken from the front and above of a motor cover for vacuum cleaner showing my new design;

FIG. 2 is a right elevational view, the left elevational view being a mirror image thereof;

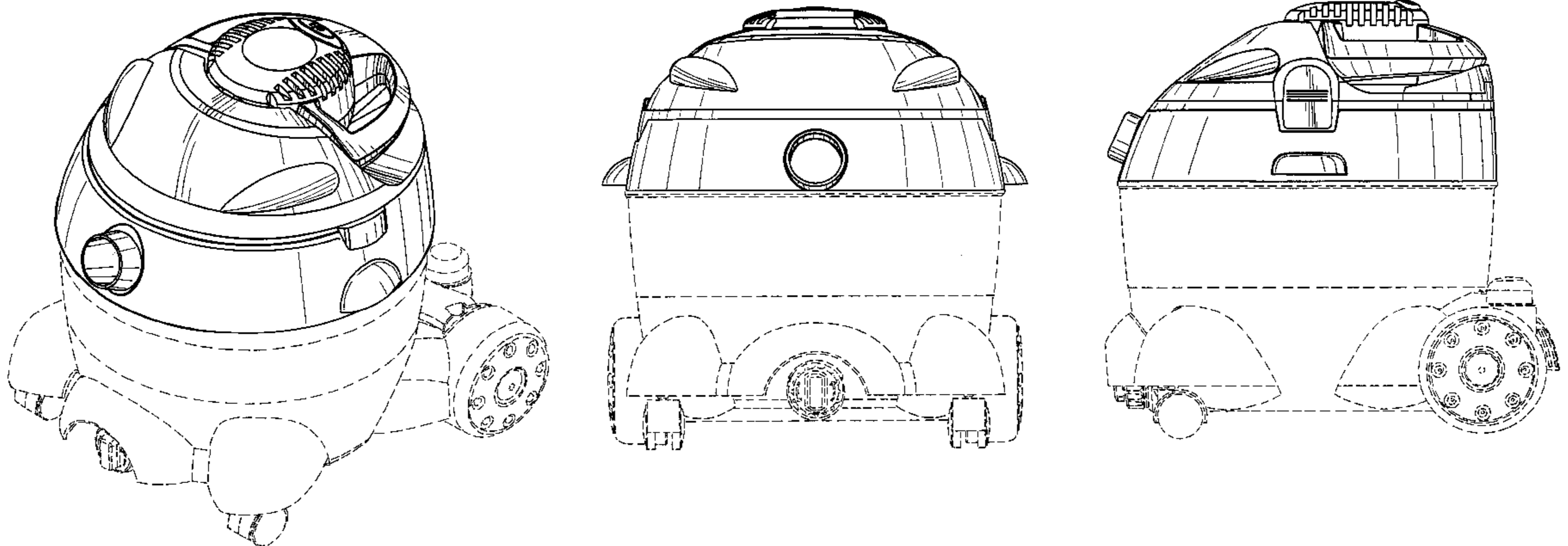
FIG. 3 is a front elevational view thereof;

FIG. 4 is a rear elevational view thereof; and,

FIG. 5 is a top plan view thereof.

The broken line showing of a tank for a vacuum cleaner is for illustrative purposes only and forms no part of the claimed design.

1 Claim, 5 Drawing Sheets



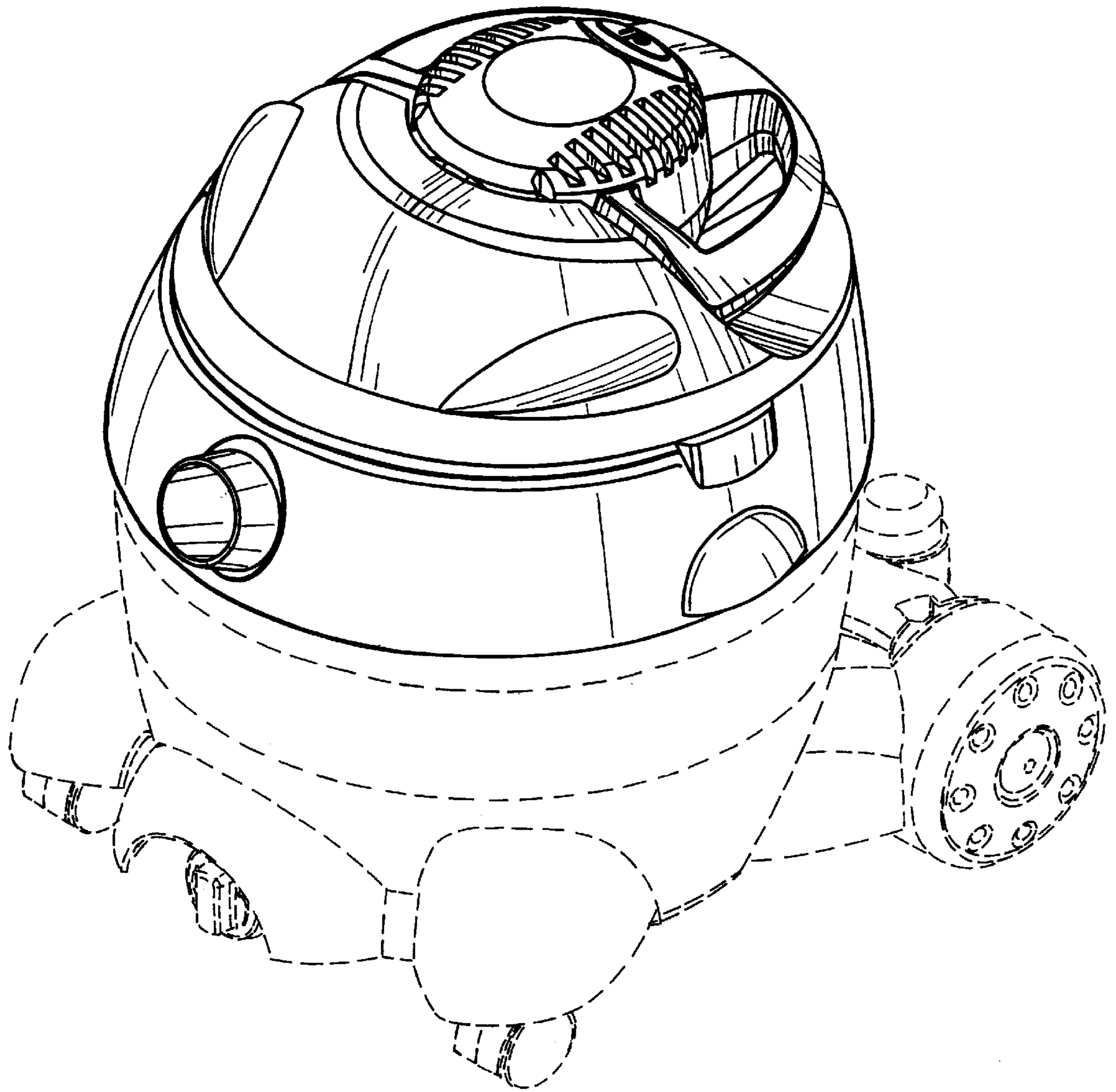


FIG. 1

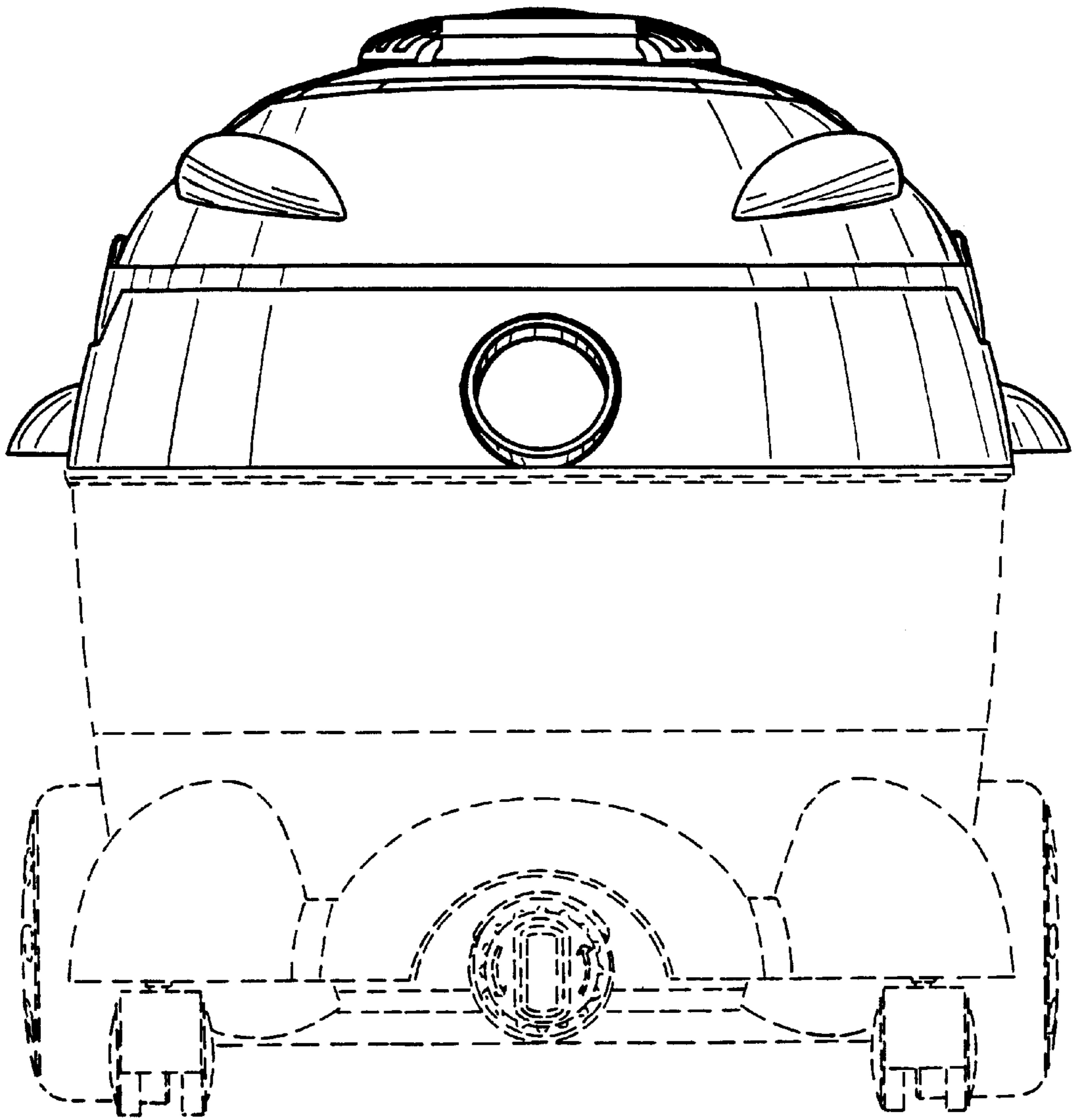


FIG. 2

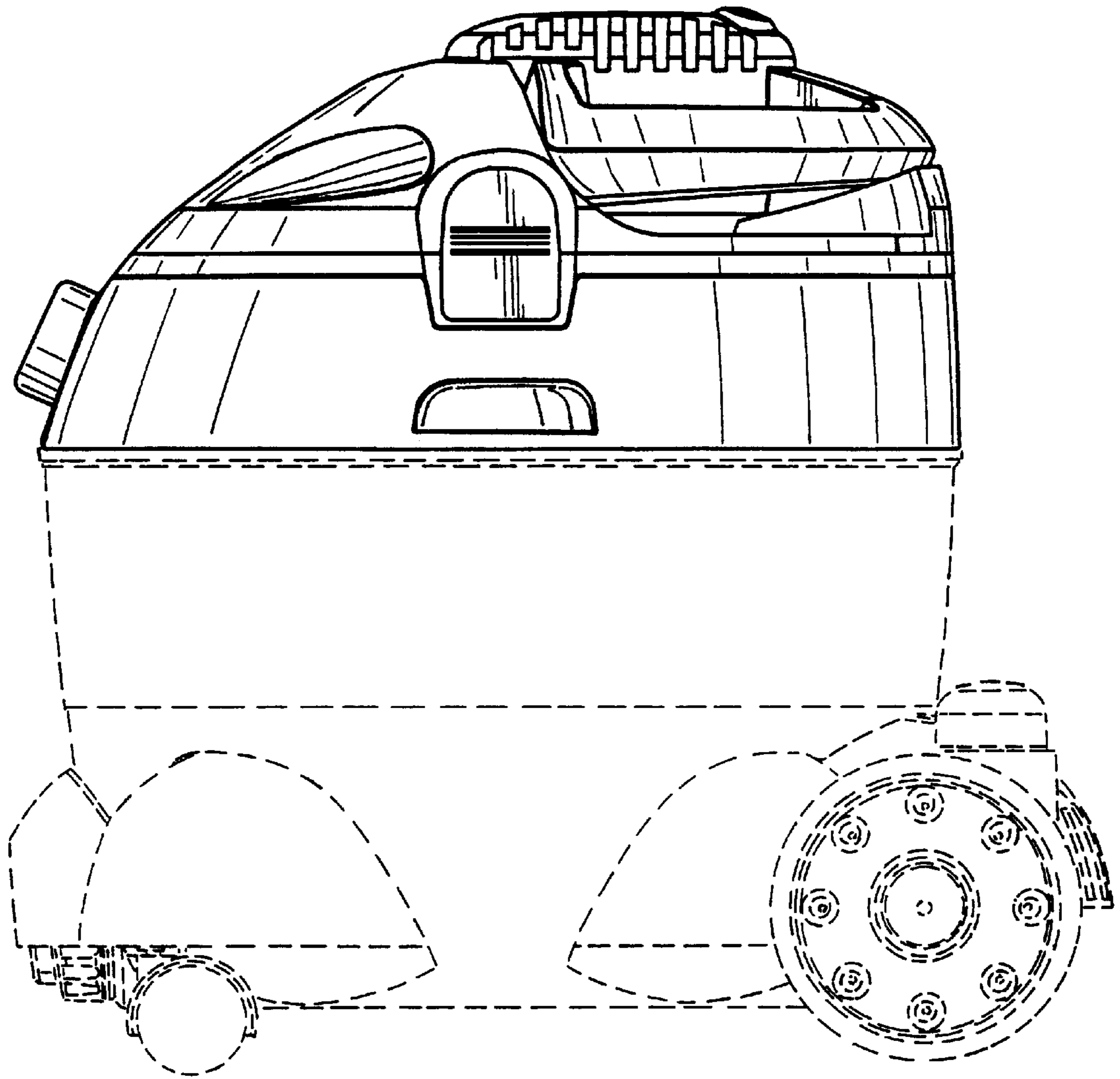


FIG. 3

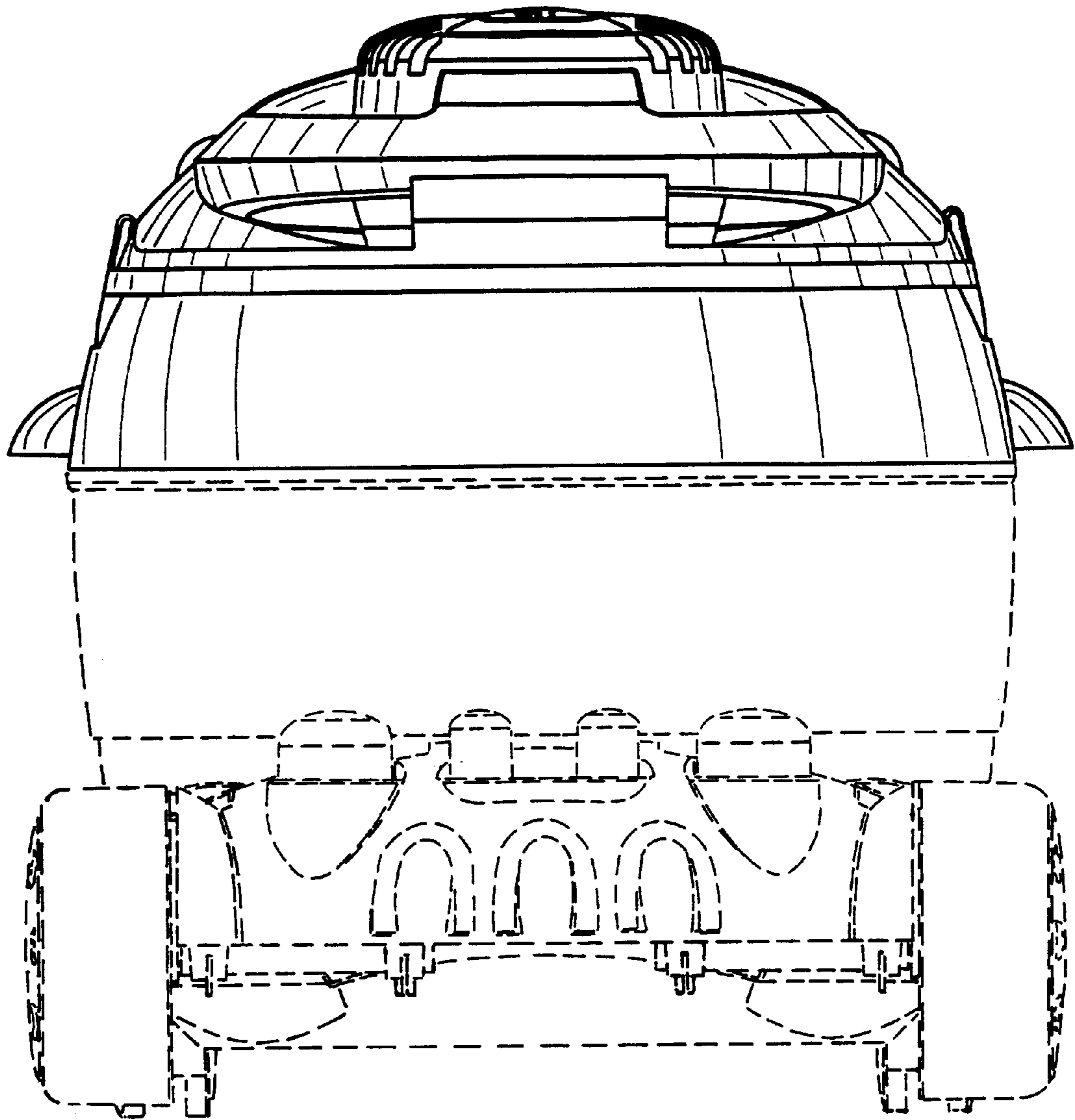


FIG. 4

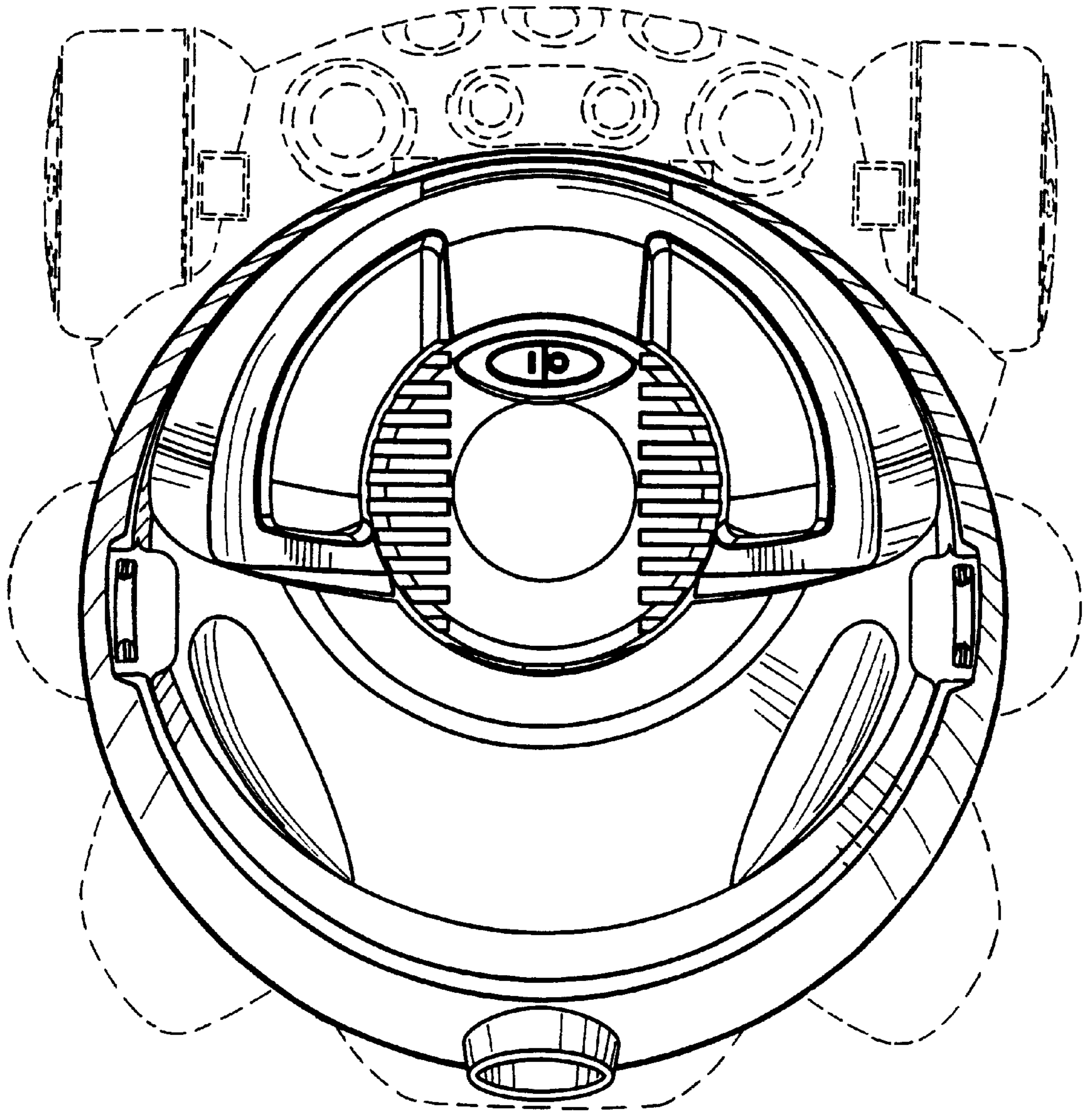


FIG. 5